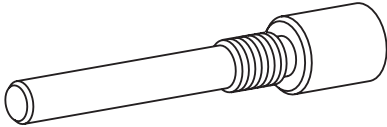


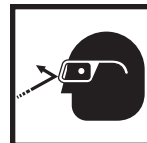
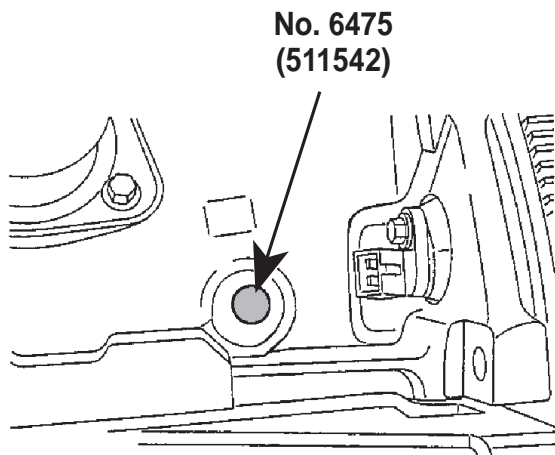
Ford Crankshaft TDC Timing Pin



Application:	1997 – 2002	2.0L 4 cyl. Contour, Mystique (VIN 3)
	1999 – 2002	2.0L Cougar (VIN 3)
	2012 – 2014	2.0L Edge, Explorer (VIN 9)
	2001 – 2004	2.0L Escape (VIN B)
	2013 – 2014	2.0L Escape (VIN 9), Fusion, MKZ, Taurus
	2012 – 2014	2.0L Focus (VIN 2)
	2000 – 2004	2.0L Focus (VIN 3)
	2002 – 2004	2.0L Focus (VIN 5)
	2005 – 2011	2.0L Focus (VIN N)
	2014	2.0L MKT
	2010 – 2012	2.0L Transit (VIN N)

CAUTION: To prevent damage to the engine, remove the No. 511542 timing pin from the engine and reinstall the access plug **BEFORE** cranking the engine.

1. Rotate crankshaft to set No. 1 cylinder on TDC of compression stroke.
2. Remove the access plug from the engine and install tool No. 511542 timing pin as shown. (The pin will completely thread into the hole when the engine is at TDC on the No. 1 cylinder.)
3. Service the timing belt as required according to vehicle service manual procedures.
4. Torque fasteners to factory specifications.



WARNING: Wear eye protection that meets ANSI Z87.1 and OSHA standards.