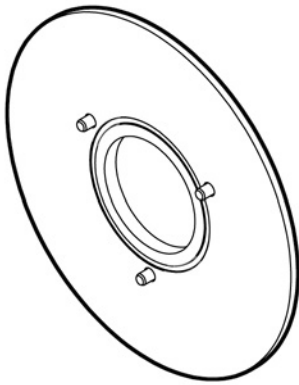


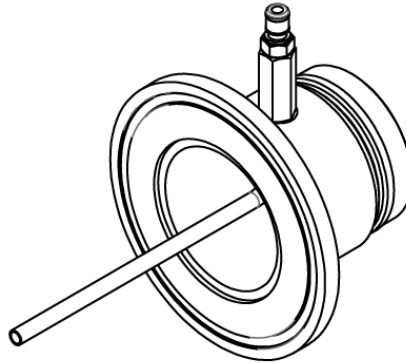
**Application Chart &
Assembly Instructions
for:**

558181

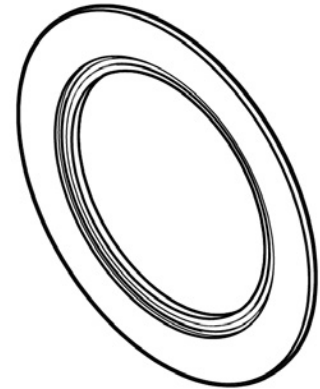
**Navistar DPF Kit
Adapters Included in this Kit**



No. 558186 Lower Adapter



No. 558187 Upper Adapter

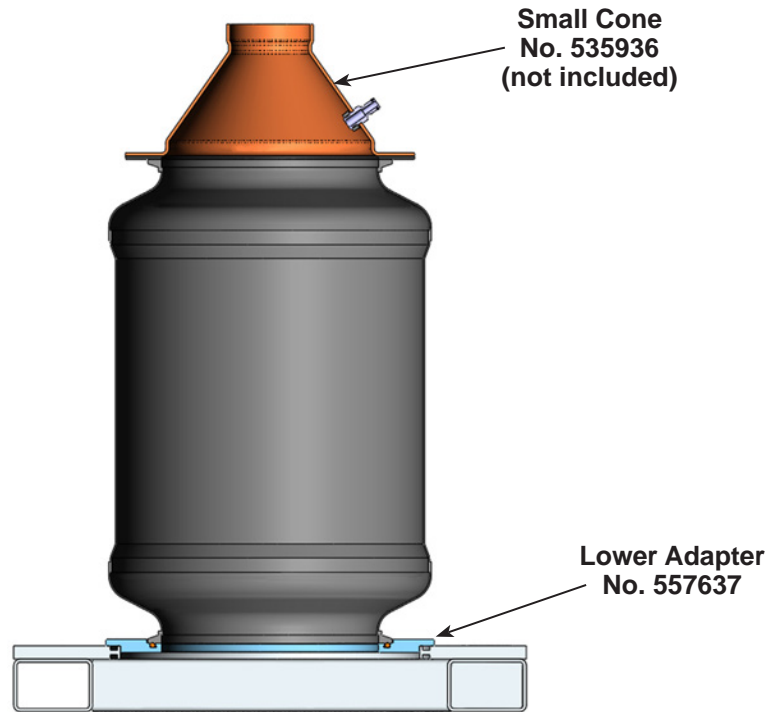


No. 557637 Lower Adapter

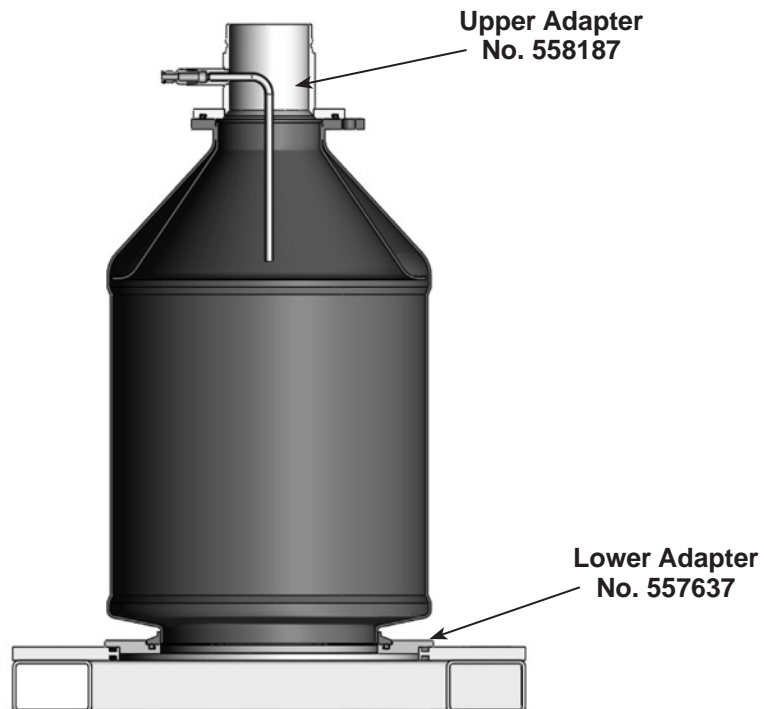
Application Chart for Cleaning Navistar DPFs

NAVISTAR	Large Cone	Medium Cone	Small Cone	Upper Adapter	Lower Adapter	Lower Adapter
DPF Description	No. 543885	No. 543887	No. 535936	No. 558187	No. 558186	No. 557637
9.50 in. V-band to flange 2595055C91 (250056)				X		X
10.5 in. V-band to V-band 2594131C91 (260569)			X			X
10.5 in. dual cone 2593981C91 (260386)				X	X	
10.5 in. flange to V-band 2594363C91 (250030)				X		X
11.25 in. V-band to V-band 2594165C91 (260480)			X			X
11.25 in. dual cone 2594356C91 (260410)				X	X	
11.25 in. flange to V-band 2594369C91 (250126)				X		X

Adapter Setup for Open-ended Navistar DPFs

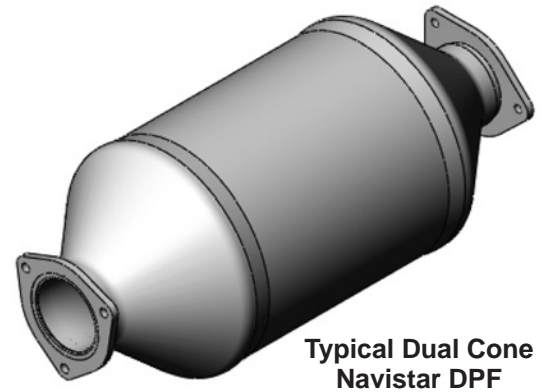


Adapter Setup for Cone to Open-ended Navistar DPFs



Adapter Setup for Dual Cone Navistar DPFs

Cleaning Navistar dual cone DPFs requires the use of No. 5281 DPF Thermal Processing Unit prior to the use of the No. 5280 DPF Cleaner. Multiple thermal cycles of treatment in No. 5281 may be required before No. 5280 will permit pulse cleaning of the filter.



Recommended Cleaning Process for Dual Cone Navistar DPFs

1. Cycle the diesel particulate filter (DPF) once through the No. 5281 DPF Thermal Processing Unit.
2. Attempt to clean the DPF using No. 5280 DPF Cleaner.
3. If the DPF Cleaner will not proceed past the test burst to the full burst cycle, perform another thermal cycle on the DPF. Rotate the DPF 180 degrees on each subsequent oven cycle.
4. Reattempt pulse cleaning with the DPF Cleaner.
5. Repeat Steps 1 through 4 until the DPF Cleaner performs the complete burst cleaning cycle.

