

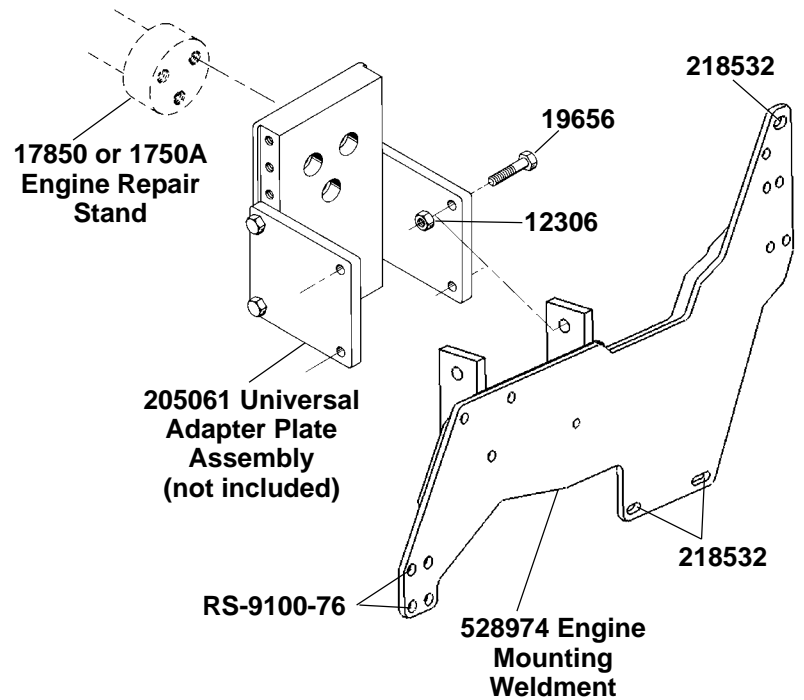
Engine Mounting Adapter

Application: TD61 and TD71 Volvo Engines

This adapter is used with the 1750 or the 1750A (6,000 lb.) engine repair stand and the 205061 Universal Adapter Plate Assembly.

Attach the Adapters to the Engine Repair Stand

1. Align the holes on the 528974 adapter to the holes on the engine.
2. Use screws provided in the 528853 kit to attach the 528974 adapter to the engine. See illustration at right for placement of screws. Securely tighten.
3. Align the 205061 adapter to the 528974 adapter (as shown).
4. Use the four hex head cap screws (19656) and the four hex nuts (12306) provided to attach the 528974 adapter to the 205061 adapter plate.
5. Securely tighten all screws.



Parts List

Item No.	Part No.	No. Req'd.	Description
1	12306	4	Hex Nut
2	19656	4	Hex Head Cap Screw 5/8-11 x 1-1/2 Lg.
3	218532	3	Hex Head Cap Screw M8 x 1.25 (6g) x 30 mm lg.
4	RS-9100-76	2	Hex Head Cap Screw Grade 10.9; M12 x 12.75 (6g) x 45 mm lg.
5	528974	1	Volvo Engine Mounting Weldment



WARNING: To prevent personal injury, wear eye protection that meets ANSI Z87.1 and OSHA standards.