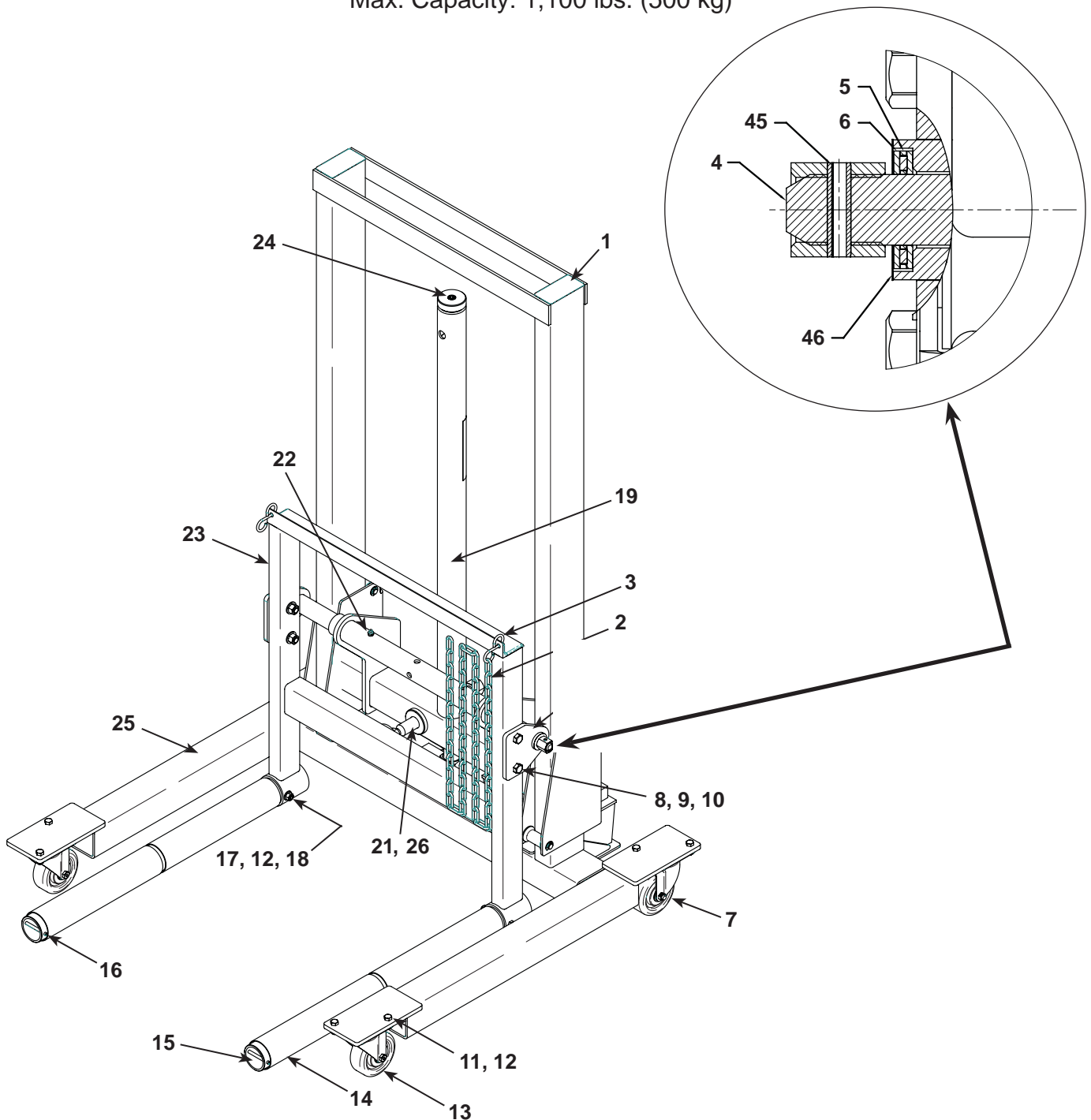
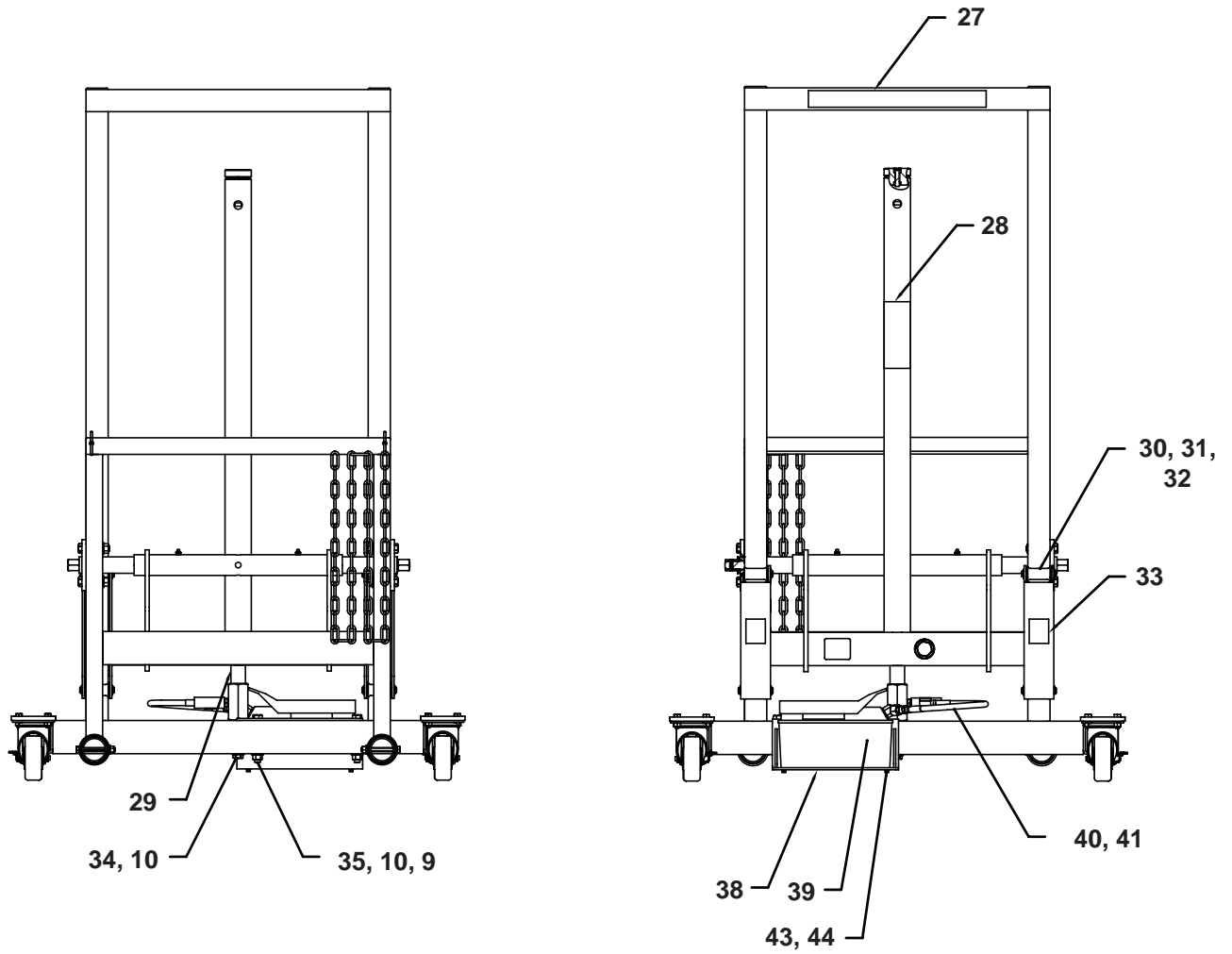


High-Lift Wheel Dolly

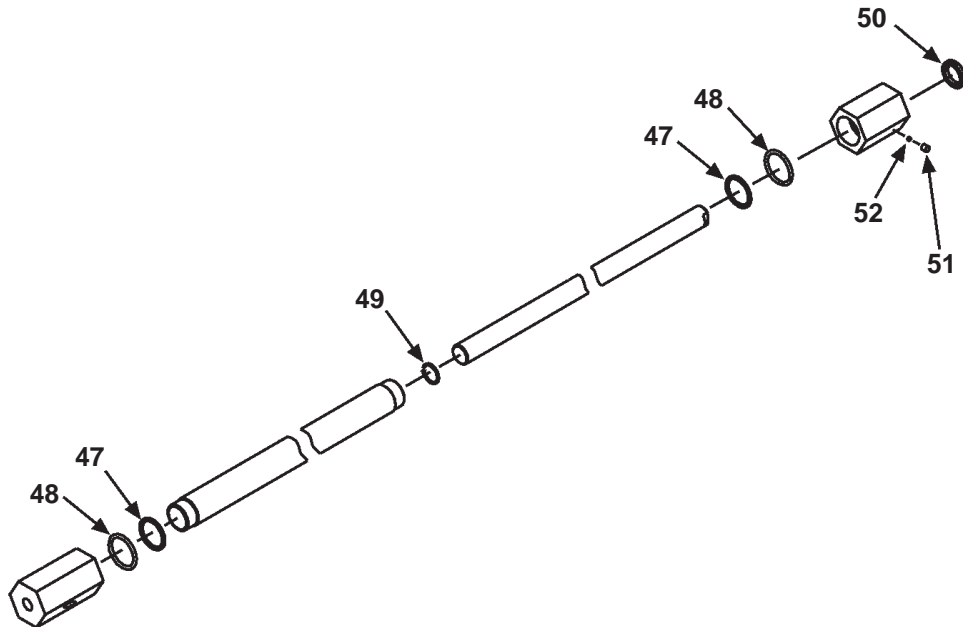
Max. Capacity: 1,100 lbs. (500 kg)



Parts List & Operating Instructions



No. 542338 Hydraulic Cylinder



Replacement Parts

Item No.	Part No.	No. Req'd	Description
1	568042	2	Tube Plug
4	518772	1	Shaft Assembly
15	518751	2	Fork Tube
19	518780	1	Lift Bracket
20	518775	2	Pivot Shaft
21	518761	1	Leveling Pad
23	518755	1	Lift Bracket Weldment
25	518740	1	High Lift Base Frame
26	567099	1	Forcing Screw
29	542338	1	Hydraulic Cylinder
38	564521	1	Pump Mounting Bracket
39	545465	1	Air / Hydraulic Pump

Replacement Parts Kits

No. 547792—Hydraulic Cylinder Seal Kit

Item No.	Qty.	Description
47	2	Nylon Gasket
48	2	O-ring
49	1	Steel Gasket
50	1	Y-seal
51	1	Screw — M6 x 6 mm
52	1	Steel Ball — ø 4 mm

No. 566151—Hardware Kit

Item No.	Qty.	Description
5	2	Thrust Bearing Roller
6	4	Thrust Washer — for .75 in. (19.05 mm) bolt
8	4	Hex Hd. Cap Screw — 1/2-13 x 2.5 in. (63.5 mm)
9	6	Nut — 1/2-13 UNC
10	7	Washer — for .5 in. (12.7 mm) bolt
11	16	Hex Head Cap Screw — 3/8-16 x 1 in. (25.4 mm)
12	18	Hex Nut — 3/8-16 UNC
16	2	Slotted Spring Pin — .25 x 2.75 in. (6.35 x 69.85 mm)
17	2	Hex Head Cap Screw — 3/8-16 x 3.25 in. (82.55 mm)
18	2	High Strength Flat Washer — for .375 in. (9.53 mm) bolt
22	2	Grease Fitting
24	1	Socket Head Cap Screw — 3/8-16 x 1.25 in. (31.75 mm)
32	8	External Retaining Ring — for .5 in. (12.7 mm) shaft
34	1	Hex Head Cap Screw — 3.75 in. (95.25 mm) lg.
35	2	Hex Hd. Cap Screw — 1/2-13 UNC x 4 in. (101.6 mm) lg.
43	4	Flat Washer — for M5 bolt
44	4	Socket Hd. Cap Screw — M5 x 16 mm lg.
45	1	Slotted Spring Pin — .25 x 1 in. (6.35 x 25.4 mm)
46	1	Wide Rim Shim

No. 566152—Caster Kit

Item No.	Qty.	Description
11	4	Hex Head Cap Screw — 3/8-16 x 1 in. lg.
12	4	Hex Nut — 3/8-16 UNC
13	2	Swivel Caster — ø 4 in.

No. 566153—Locking Caster Kit

Item No.	Qty.	Description
7	2	Swivel Caster w/ lock — ø 4 in.
11	4	Hex Head Cap Screw — 3/8-16 x 1 in. (25.4 mm)
12	4	Hex Nut — 3/8-16 UNC

No. 566154—Hydraulic Accessory Kit

Item No.	Qty.	Description
40	1	Hose
41	1	Flow Control Valve

No. 566375—Sleeve Kit

Item No.	Qty.	Description
12	1	Hex Nut — 3/8-16 UNC
14	2	Sleeve
16	1	Slotted Spring Pin — .25 x 2.75 in. (6.35 x 69.85 mm)
17	1	Hex Head Cap Screw — 3/8-16 x 3.25 in. (82.55 mm)
18	1	High Strength Flat Washer — for .375 in. (9.53 mm) bolt

No. 566376—Roller Kit

Item No.	Qty.	Description
30	2	Roller
31	2	Clevis Pin
32	4	External Retaining Ring — for .5 in. (12.7 mm) shaft

No. 566377—Chain Kit

Item No.	Qty.	Description
2	1	Chain
3	2	S-Hook

No. 566378—Decal Kit

Item No.	Qty.	Description
27	1	Warning Decal
28	1	Logo Decal
33	2	Warning Decal

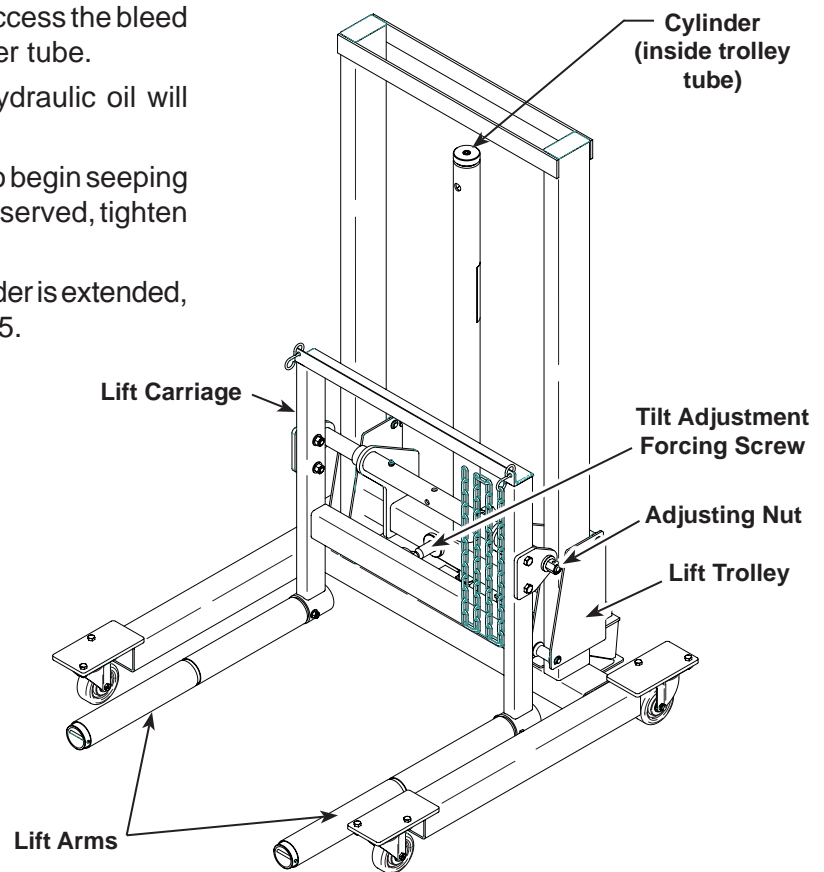
Parts List & Operating Instructions

Safety Precautions

- WARNING:**
- Failure to follow these warnings could cause a loss of load, damage to equipment, and / or failure of equipment, which may result in personal injury or property damage.
 - Read and understand all safety precautions and operating instructions before using this dolly. If the operator cannot read these instructions, operating instructions and safety precautions must be read and discussed in the operator's native language.
 - Wear eye protection that meets ANSI Z87.1 and OSHA standards.
 - Use the dolly on hard, level surfaces only.
 - Apply the load as close to the vertical portion of the lifting member as possible. Do not exceed the 1,100 lbs. (500 kg) capacity.
 - Before moving the load: center the load on the dolly, lower the dolly completely, and secure the load with the restraint chain.

Cylinder Bleed Instructions

1. Check hydraulic hose and fittings for leaks. Tighten or replace hose and fittings if necessary. If still leaking, take apart, apply pipe sealant, and reassemble.
2. With cylinder in a fully retracted position, access the bleed plug through the hole in the trolley cylinder tube.
3. Loosen bleed plug enough so air and hydraulic oil will escape when pump is activated.
4. Slowly start pump. Watch for hydraulic oil to begin seeping from the bleed plug. Once oil seepage is observed, tighten the bleed plug.
5. Verify the cylinder has not extended. If cylinder is extended, retract the cylinder and repeat Steps 3 – 5.



Operating Instructions

1. Connect the air / hydraulic pump to the shop air supply.
2. After the vehicle has been raised and correctly blocked, position the dolly's lifting arms under the tire(s).
3. Raise the lifting arms up to meet the tire(s) by depressing the pedal on the pump.
4. Adjust the forcing screw on the lift trolley to tilt the lifting arms until they make full contact with the tire(s).
5. Wrap and hook the restraint chain around the tire(s).
6. Depress the pedal on the pump to raise the lifting arms until the full load of the tire(s) is supported. Back the dolly away to remove the wheel(s) from the vehicle.
7. If it is necessary to remove the wheels from the dolly, lower the wheel assembly to the floor by depressing the opposite end of the pump pedal. Unhook the restraint chain, and remove the dolly.
8. When ready to reinstall the wheel assembly, install the dolly and the restraint chain again.
9. Raise the wheel assembly to the correct height by depressing the pedal on the pump to raise the lift arms.
10. Adjust the tilt to correspond with the angle of the axle. If the wheel needs to be adjusted laterally, turn the adjusting nuts on either side of the lift trolley to center the wheel.
11. Reinstall the wheel assembly and remove the wheel dolly.

Preventive Maintenance

1. Grease the caster swivel mountings every six months.
2. Check the oil level in the pump reservoir every six months, and fill with hydraulic oil, if needed.
3. Periodically lubricate the tilt adjusting screw, lateral adjusting screw, and the dolly wheels with SAE 30 oil.
4. Periodically remove the roll pin at the end of each lifting arm and slide the rollers off. Clean the rollers, lubricate with grease, and reassemble.
5. Check the restraint chain for condition and correct attachment.
6. Periodically lubricate the guide post rollers.
7. Verify the hydraulic hose and the fittings are tight and leak free. If needed, tighten.
8. Grease the fittings on the pivot shafts every six months.
9. Check unit periodically for any loose or missing hardware. Retighten or replace immediately.

Parts List & Operating Instructions

Troubleshooting Guide

Repair procedures must be performed in a dirt-free environment by qualified personnel who are familiar with this equipment. If this guide does not resolve the problem, contact an OTC authorized hydraulic service center.

Trouble	Cause	Solution
Pump reciprocates, but no fluid delivery (cylinder will not extend).	<ol style="list-style-type: none">1. Low fluid level.2. Pump not primed.	<ol style="list-style-type: none">1. Add fluid as instructed in Preventive Maintenance section.2. Prime pump as instructed in the Operating Instructions that came with the pump.
Low fluid delivery (cylinder extends slowly).	<ol style="list-style-type: none">1. Inadequate air supply<ol style="list-style-type: none">a. Check air input supply.b. Contamination; check air side of pump.2. Air in hydraulic system.	<ol style="list-style-type: none">1. a. Should be 20 CFM (.57 M³/min.) minimum. b. Clean and reassemble.2. Bleed the system as described in the Cylinder Bleed Instructions, sheet 2 of this instruction sheet.
Pump will not build to maximum pressure (no visible leakage).	<ol style="list-style-type: none">1. Check the air supply.	<ol style="list-style-type: none">1. 100 PSI (7 BAR) is required to obtain maximum pressure.
Pump builds pressure, but will not hold system pressure.	<ol style="list-style-type: none">1. Check the hydraulic connections and other system components for leakage.	<ol style="list-style-type: none">1. Refit or repair as needed.
Excess oil spray from muffler.	<ol style="list-style-type: none">1. Air lubricator is set too rich (if so equipped).	<ol style="list-style-type: none">1. Set at one drop per minute.
Lift arms will not lower to the floor.	<ol style="list-style-type: none">1. Lift carriage is not centered between legs.	<ol style="list-style-type: none">1. Center lift carriage between legs using adjusting nuts on either side of lift carriage.