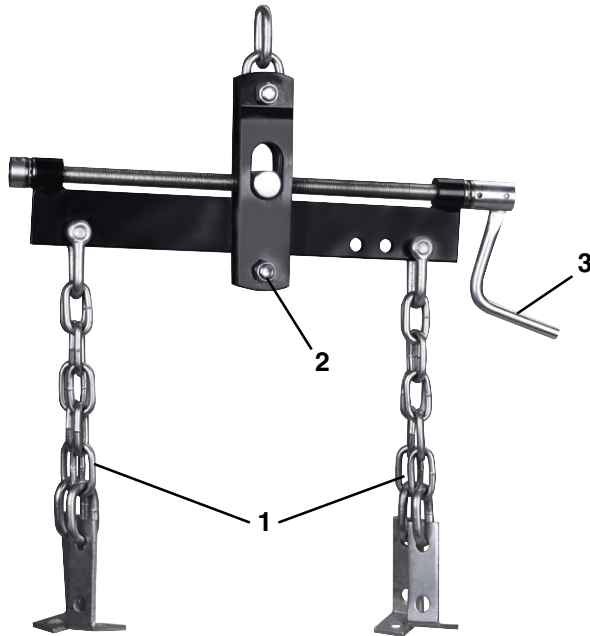


**Parts List &
Operating Instructions
for:**

4305

Engine Load Leveler

Max. Capacity: 1,500 lbs. / 680.4 kg



Item No.	Part No.	No. Req'd	Description
1	518521	2	Chain Set with Anchor Shackle and Screw Pin
2	518522	1	Roller with Bolt and Locknut
3	518719	1	Replacement Handle with Handle Retaining Pin
	518502	1	Warning Decal (Not shown)

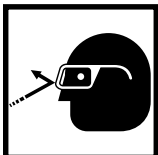
Safety Precautions



CAUTION: To prevent equipment failure or damage resulting in personal injury:



- Read, understand, and follow these instructions.
- If the operator cannot read English, operating instructions and safety precautions must be read and discussed in the operator's native language.



- Wear eye protection that meets the requirements of ANSI Z87.1 and OSHA standards.
- Do not attempt to lift a load that exceeds the maximum capacity of 1,500 lbs. / 680.4 kg. Overloaded equipment can fail and cause personal injury. To ensure the load bearing chains are not stressed beyond their capacities, do not spread the load bearing chains more than a total of 90°.



- Attach ALL FOUR arms to the load being lifted; NEVER use a single arm setup.
- The load rotor is not designed for overhead lifting applications. Stay out from underneath a load being lifted or suspended.

Parts List & Operating Instructions

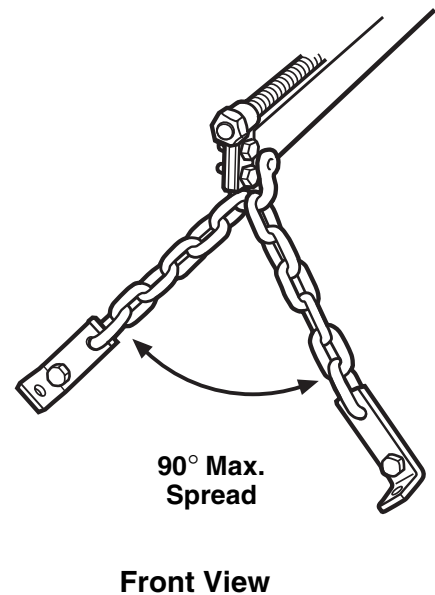
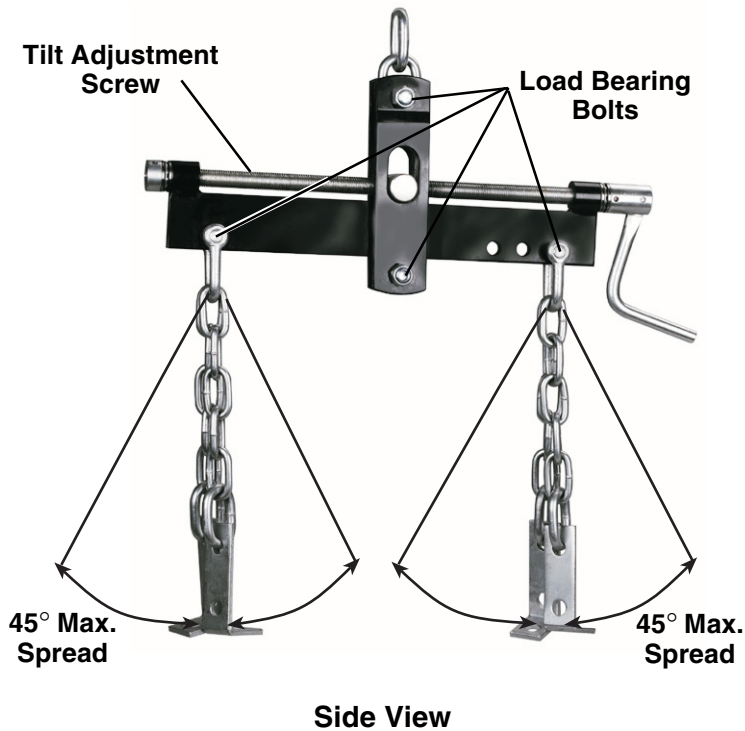
Operating Instructions

The Engine Load Leveler is designed to handle and position large, bulky components. The horizontal tilt can be adjusted to compensate for off-center loads, or adjusted to a certain angle for a component being positioned.

1. Hook the load leveler to a crane or hoist.
2. Attach all four load bearing chains to the component.
3. Verify the bolts holding the load are securely fastened.

⚠ CAUTION: To maintain stability and ensure the load bearing chains are not stressed beyond their capacities, do not spread the load bearing chains more than a total of 90° (see illustrations below) for both sets of chains. For example, one set of chains can spread up to 45° in any direction, and the other set of chains can do likewise.

4. Lift the component enough to locate the center of balance. Level or adjust the angle of the load rotor by turning the handle either clockwise or counterclockwise.



Maintenance

1. Regularly clean and lubricate the tilt adjustment screw (see Side View).
2. Keep the load bearing bolts (see Side View) fastened securely.