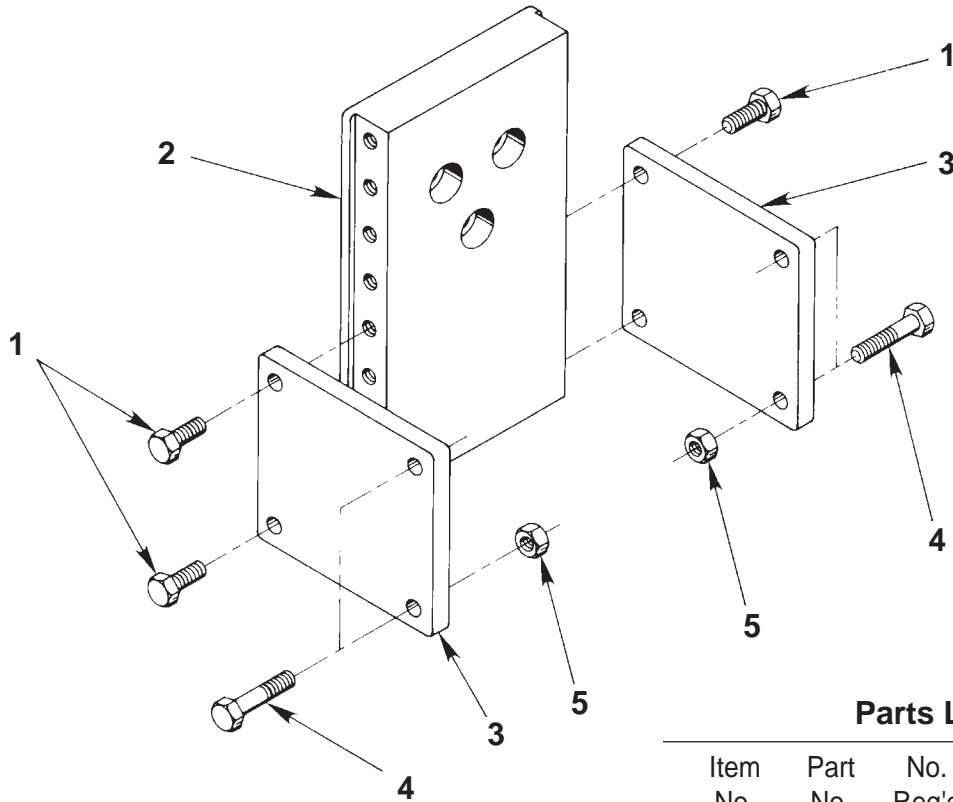


Component for OTC No. 1750 or No. 1750A

Engine Mounting Adapter

Maximum Capacity: 2722 kg (6000 lbs.)

Weight: 45.6 kg (100.5 lbs.)



Parts List

Item No.	Part No.	No. Req'd	Description
1	19654	4	Cap Screw
2	61103	1	Adapter Plate
3	52083	2	Side Plate
4	19656	4	Cap Screw
5	12306	4	Nut

Description: Universal mounting plate designed for mounting engines and other components to the OTC 1750 and 1750A Heavy-Duty Engine Repair Stands.

Parts List & Operating Instructions

Explanation of Safety Signal Words

The safety signal word designates the degree or level of hazard seriousness.



DANGER: Indicates an imminently hazardous situation which, if not avoided, will result in death or serious injury.



WARNING: Indicates a potentially hazardous situation which, if not avoided, could result in death or serious injury.



CAUTION: Indicates a potentially hazardous situation which, if not avoided, may result in minor or moderate injury.

CAUTION: Used without the safety alert symbol indicates a potentially hazardous situation which, if not avoided, may result in property damage.

Safety Precautions



CAUTION: To prevent personal injury and/ or property damage,



- Study, understand, and follow all safety precautions and operating instructions before using this engine mounting adapter. If the operator cannot read instructions, operating instructions and safety precautions must be read and discussed in the operator's native language.

- Only qualified operators may install, operate, adjust, maintain, clean, repair, inspect, or transport this engine mounting adapter.



- Wear eye protection that meets ANSI Z87.1, CE EN166, AS/NZS 1337, and OSHA standards.

- Do not exceed the rated capacity shown on the engine mounting adapter.
- To maintain shear strength specifications, use alloy steel grade 8 or property class 10.9 socket head cap screws to mount components or engines.
- Use this engine mounting adapter with OTC No. 1750 or No. 1750A Heavy-Duty Engine Repair Stand only.
- Do not use this engine mounting adapter for anything other than its intended purpose.
- No alteration shall be made to this product.
- Inspect the condition of the engine mounting adapter before each use; do not use if damaged, altered, or in poor condition.
- Use only those repair parts called out in the parts list in this document. Items found in the parts list have been carefully tested and selected by SPX Service Solutions.

Operating Instructions

1. Mount the engine adapter to OTC No. 1750 or 1750A Heavy-Duty Engine Repair Stand using the three 1–8 UNC socket head cap screws included with the engine repair stand. See Figure 1.
 2. Torque the cap screws to 610 N•m (450 ft. lbs.) using the hex adapter included with the engine repair stand.
- Refer to Form No. 102302 for information regarding attaching an engine or other component to the adapter plate.
 - Refer to Form No. 102302 and the decal on the engine repair stand for information regarding load ratings and other specifications when mounting engines or components to the engine repair stand.

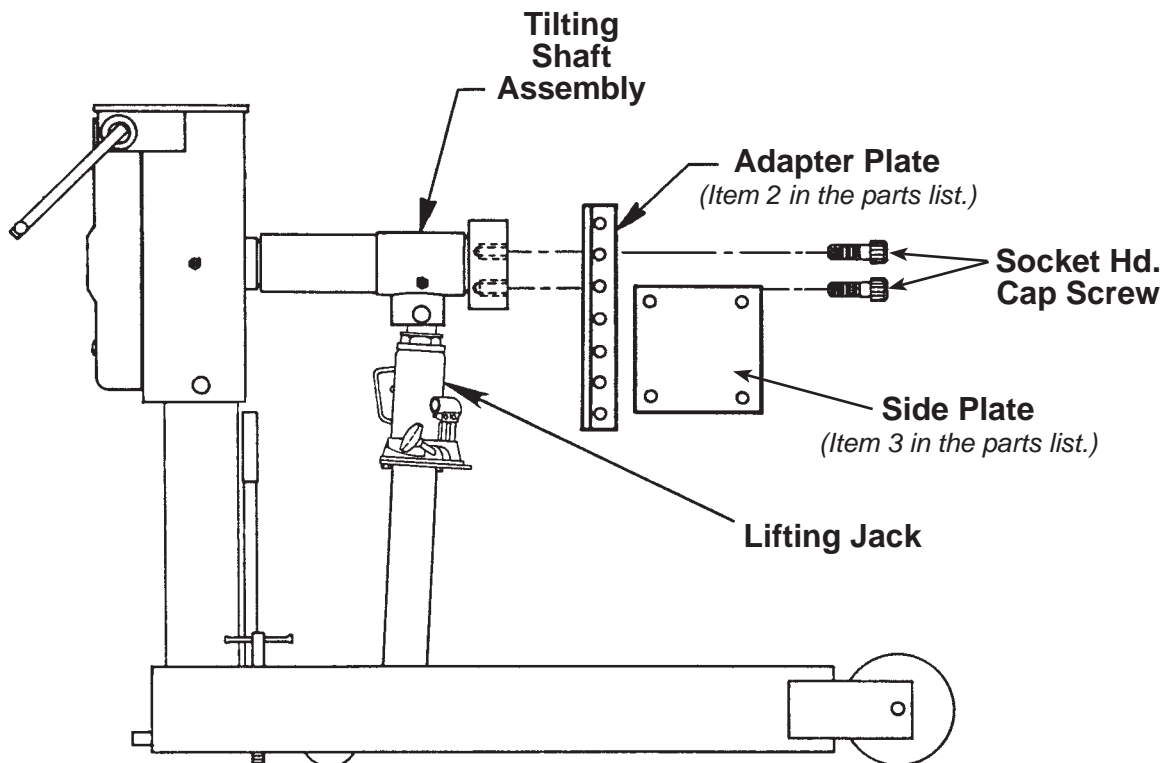


Figure 1

Preventive Maintenance



CAUTION: To prevent personal injury,

- Only qualified personnel shall perform inspections and repairs to this engine mounting adapter.
- Before each use, an approved inspector must inspect the engine mounting adapter for bends, cracks, dents, elongated holes, or missing hardware. If damage is found, discontinue use.
- Use only those repair parts called out in the parts list in this document. Items found in the parts list have been carefully tested and selected by SPX Service Solutions.