

Underhoist Stand with Foot Pedal

Max. Capacity: 3/4 Ton

The underhoist stand is designed to help support vehicle components during removal or installation.

Safety Precautions

⚠ Caution: To prevent equipment failure or damage resulting in personal injury:



- Read, understand, and follow these instructions. If the operator cannot read these instructions, operating instructions and safety precautions must be read and discussed in the operator's native language.



- Wear eye protection that meets the requirements of ANSI Z87.1 and OSHA.

- Inspect the condition of the underhoist stand before each use; do not use a stand if it's damaged, altered, or in poor condition.

- Use the stand on a hard, level surface. A stand must have solid contact with the ground. Test the stability of the load.

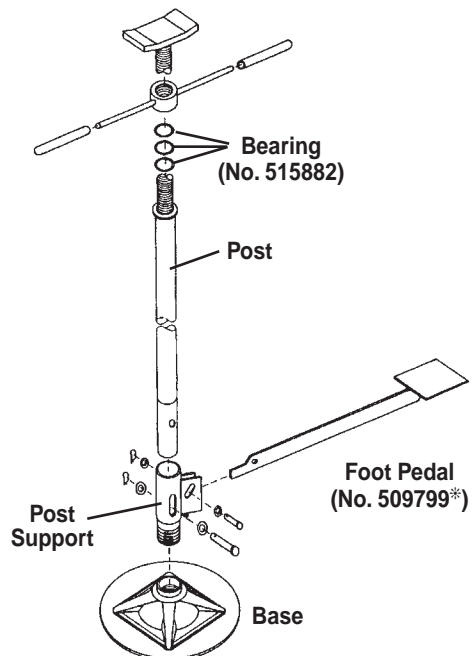
- Do not attempt to support a vehicle with this stand. It is designed to help support vehicle components only.

- Place the load on the center of the saddle, not on the outer lips.

- Do not exceed the rated capacity of the underhoist stand.



Assembly and Operating Instructions



1. Attach post support to base.

2. Insert post into post support, aligning holes. Secure with clevis pin, (2) washers, and cotter pin.

3. Attach pedal to post support, and secure with clevis pin, (2) washers, and cotter pin.

Raise the Load

Turn adjusting handle clockwise until saddle meets load. Continue turning handle to raise load to required height.

Lower the Load

Turn adjusting handle counterclockwise.

*No. 509799 Foot Pedal Replacement Kit includes foot pedal plus mounting hardware.