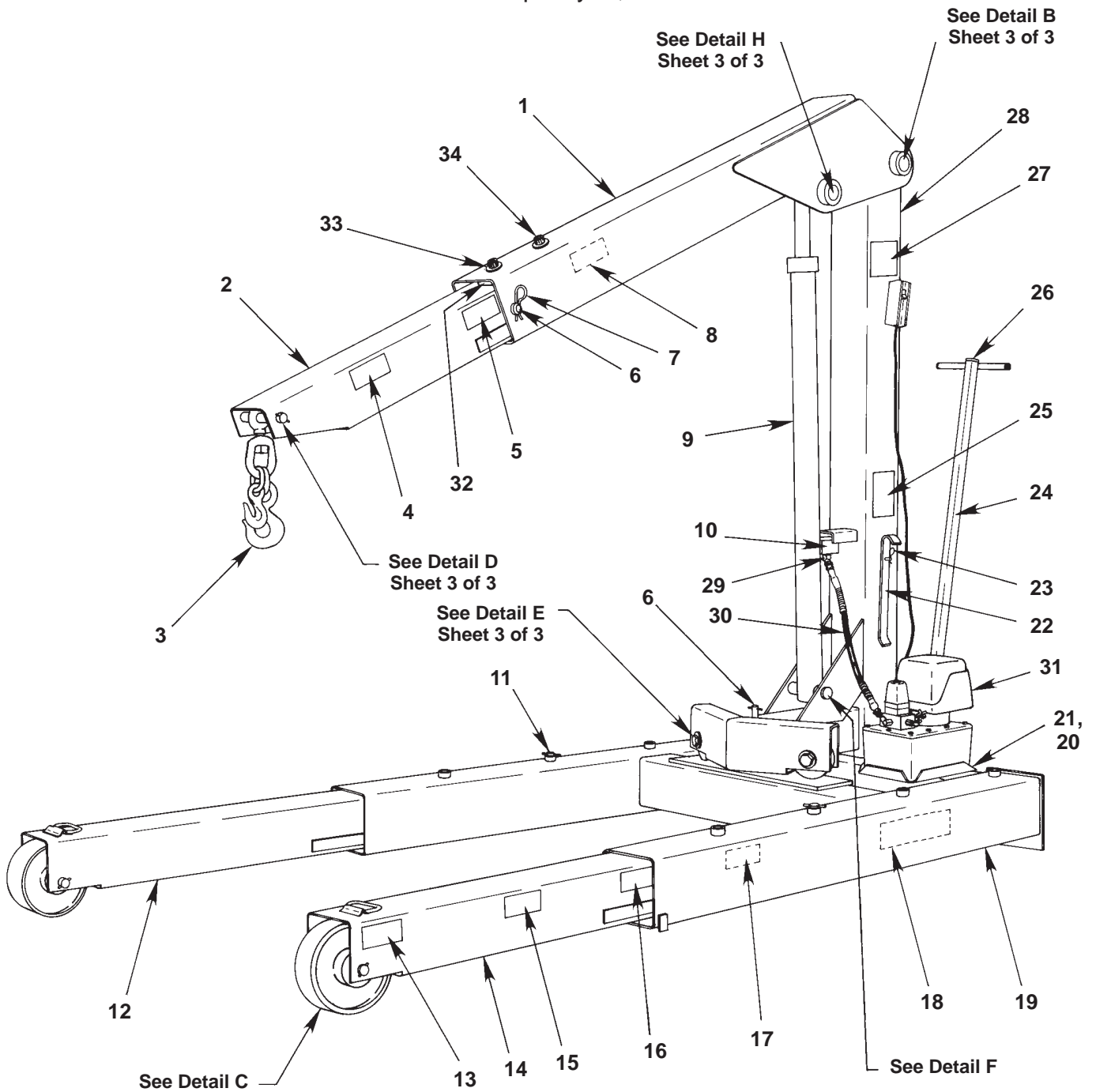


Parts List for:

1813 ACTP-10615  
1814 JT01709  
OEM1405

# Floor Crane Assembly

Maximum Capacity: 6,000 lbs.



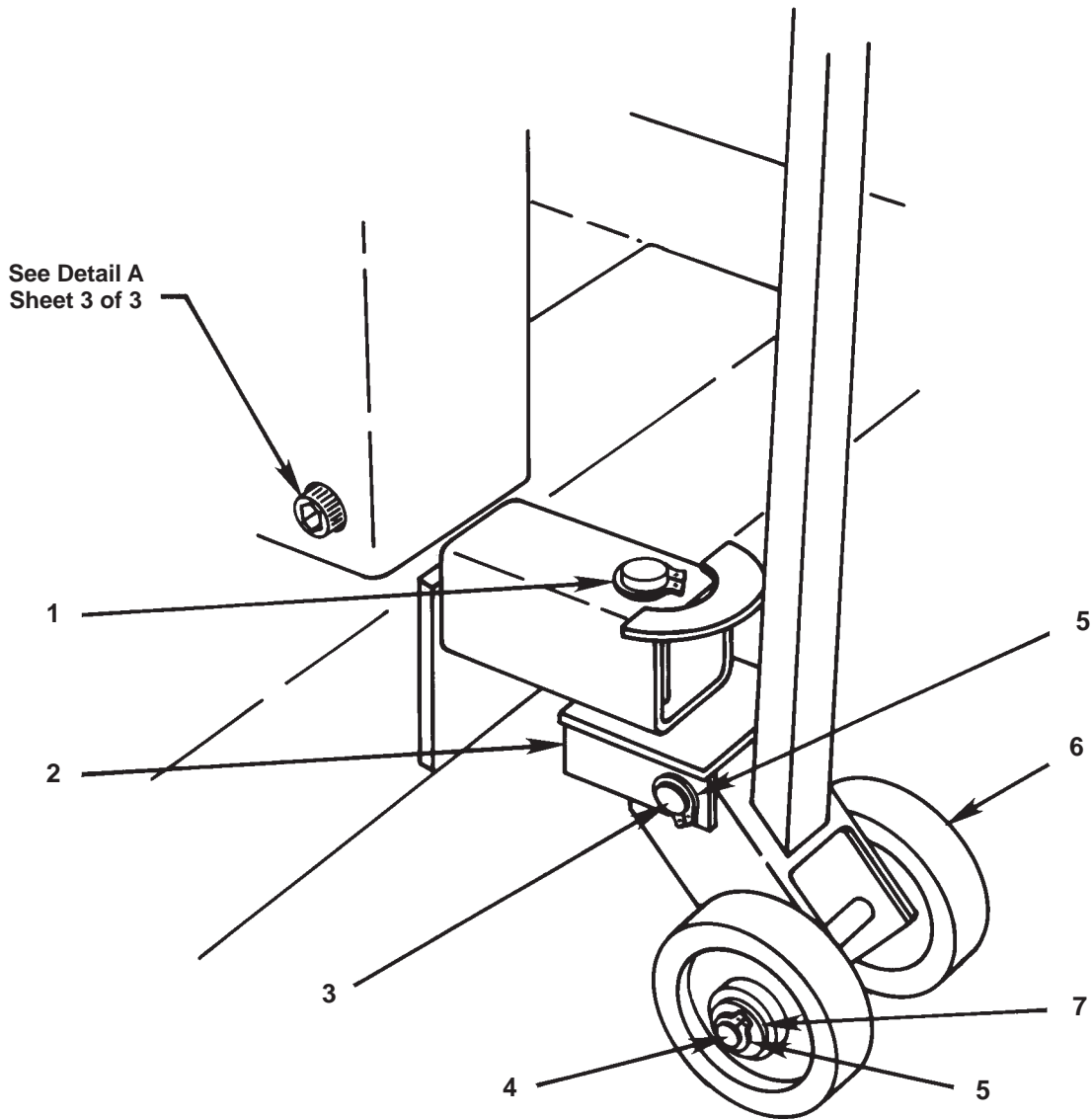
# Parts List

Item No.	Part No.	No. Req'd	Description
1	61020	1	Boom Weldment <i>(includes items in Detail H)</i>
2	51975	1	Boom Extension
3	51969	1	Chain Swivel
4	303191	1	Warning Decal
5	303192	1	Warning Decal
6	303232	2	Pin
7	17072	2	Hair Pin
8	303190	1	Warning Decal
9	51987	1	Cylinder Assembly <i>(see Sheet 2 of 3)</i>
10	28824	1	Flow Control Valve
11	303233	2	Pin
12	51980	1	Right Leg
13	303189	1	Warning Decal
14	51977	1	Left Leg
15	303188	1	Warning Decal
16	303187	1	Warning Decal
17	303186	1	Warning Decal
18	45158	2	Decal
19	61017	1	Base Weldment
20	52683-WH2	1	Reservoir Mount <i>(for 1814)</i>
21	212380	4	Slotted Screw <i>(for 1814)</i>
22	44825	1	Leg Lift Bar
23	207649	1	Hair Pin
24	53422	1	Dolly <i>(see Sheet 2 of 3 for detail)</i>
25	303185	1	Instruction Decal
26	207655	1	Tube Cap
27	303833	2	Trade Name Decal <i>(for 1813 &amp; 1814)</i>
28	61019	1	Mast Weldment
29	10648	1	45° Swivel Elbow
30	36890	1	Hydraulic Hose
31	61399	1	Electric Hydraulic Pump <i>(see OTC Form 101445; for 1814)</i>
	61872	1	Hand Pump <i>(see OTC Form 101404; for 1813, ACTP-10615, JT01709, &amp; OEM1405)</i>
32	200565	1	Plate
33	10586	2	Washer <i>(for ½-in. bolt)</i>
34	17075	2	Socket Hd. Cap Screw <i>(½-13 UNC x ¾-in. Lg.)</i>

## Parts Included but Not Shown

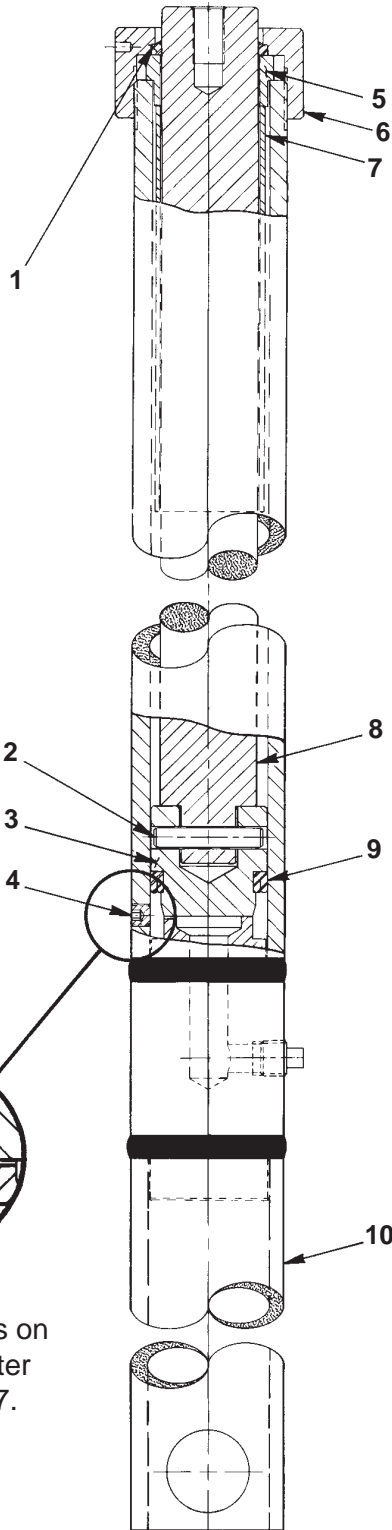
207800	1	Warning decal <i>(located on back of mast weldment)</i>
303234	1	Pin
19656	1	Hex Hd. Cap Screw <i>(⅝-11 x 2¾-in. Lg.; used on end of cylinder rod)</i>

Dolly Detail



Item No.	Part No.	No. Req'd	Description
-	<b>53422</b>	1	Dolly Assembly
1	<b>11998</b>	1	Retaining Ring (for 1-in. shaft)
2	<b>47762</b>	1	Dolly Pivot Block
3	<b>309260</b>	1	Pin
4	<b>309261</b>	1	Pin
5	<b>14855</b>	4	Retaining Ring (for 3/4-in. shaft)
6	<b>12078-1</b>	2	Wheel (5-in. dia.)
7	<b>12330</b>	2	Washer (for 3/4-in. bolt)

# Parts List

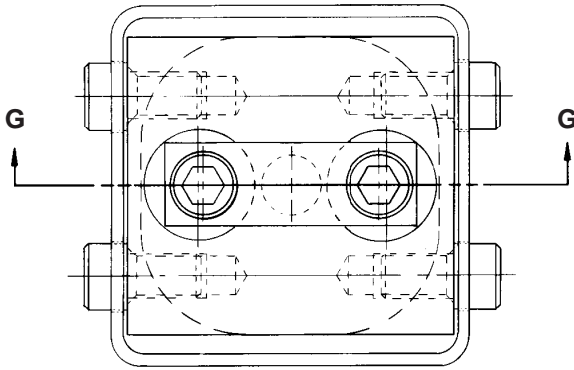


## Cylinder Assembly

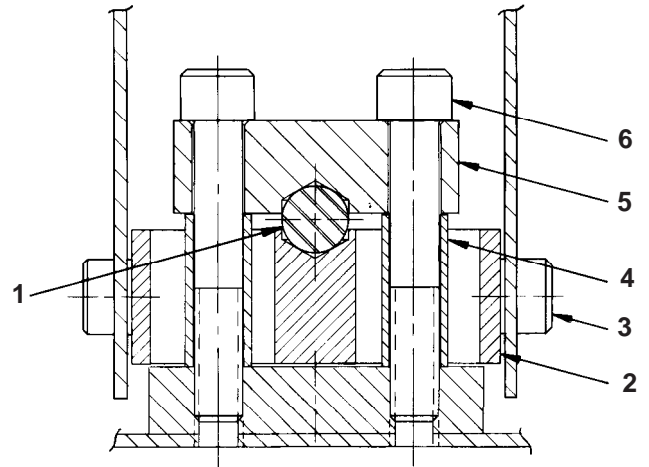
Item No.	Part No.	No. Req'd	Description
-	<b>51987</b>	1	Cylinder Assembly
1	<b>207651</b>	1	Rod Wiper
2	<b>207636</b>	1	Pin
3	<b>44819</b>	1	Piston Head
4	<b>10427</b>	1	Pressure Plug ( $\frac{1}{8}$ -in. NPTF; <i>not used after 9/87</i> )
	<b>11127</b>	1	Plug, Pipe ( $\frac{3}{8}$ -in. NPTF male)
5	<b>207640</b>	1	Rod Guide
6	<b>44820</b>	1	Collar
7	<b>303228</b>	1	Tube
8	<b>44828</b>	1	Piston Rod
9	<b>11375</b>	1	U-cup
10	<b>51963</b>	1	Cylinder Body
11	<b>10002</b>	1	Cap Screw <i>(<math>\frac{1}{4}</math> -20 UNC x <math>\frac{3}{8}</math>-in. Lg.; torque to 90/100 in. lbs.; used after 9/87)</i>
12	<b>10442</b>	1	Plain Washer <i>(<math>\frac{3}{8}</math> x <math>\frac{1}{4}</math> x <math>\frac{1}{32}</math>)</i>

11  
12

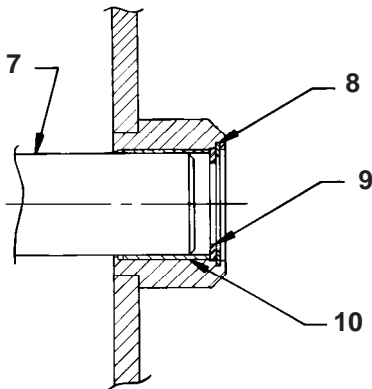
This view shows new design parts on cylinders built after September, 1987.



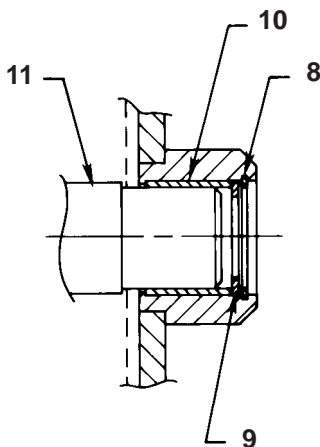
**Detail A**



**Section G - G**



**Detail B**

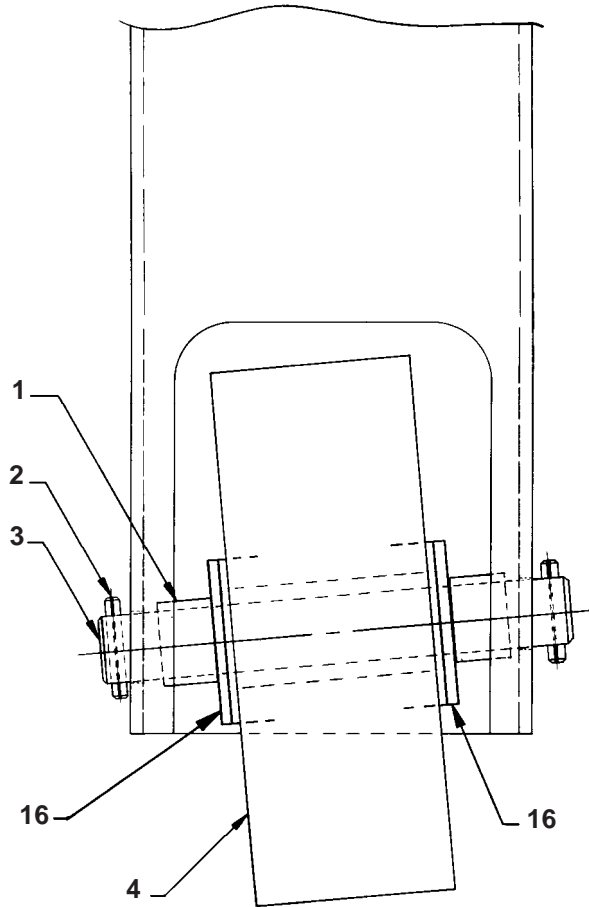


**Detail H**  
(see note)

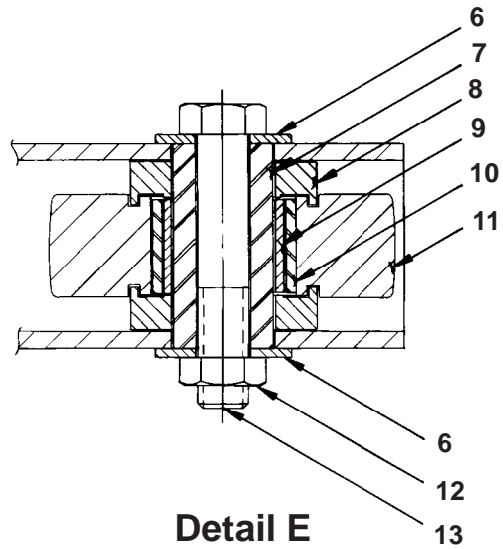
Item No.	Part No.	No. Req'd	Description
1	<b>18954</b>	1	Steel Ball (1-in. dia.)
2	<b>44818</b>	1	Block
3	<b>14397</b>	4	Socket Hd. Cap Screw (self-locking; 3/4-10 UNC x 1 1/4-in. Lg.; torque to 150/175 ft. lbs.)
4	<b>207642</b>	2	Tube
5	<b>303227</b>	1	Block
6	<b>207648</b>	2	Socket Hd. Cap Screw (self-locking; 3/4-10 UNC x 4 1/2-in. Lg.; torque to 120/125 ft. lbs.)
7	<b>303222</b>	1	Pin
8	<b>207633</b>	4	Retaining Ring (for 1.653 shaft)
9	<b>207652</b>	4	Precision Support Washer
10	<b>207653</b>	4	Sleeve Bearing
11	<b>44823</b>	1	Pin

**Note:** When replacing the sleeve bearing (10) and pin (11) shown in Detail H, remove the retaining ring (8) and support washer (9) from both sides. Drive the pin (11) out. The shoulder on the pin will drive the sleeve bearing out. Put the pin back in and drive out the sleeve bearing on the opposite side.

# Parts List

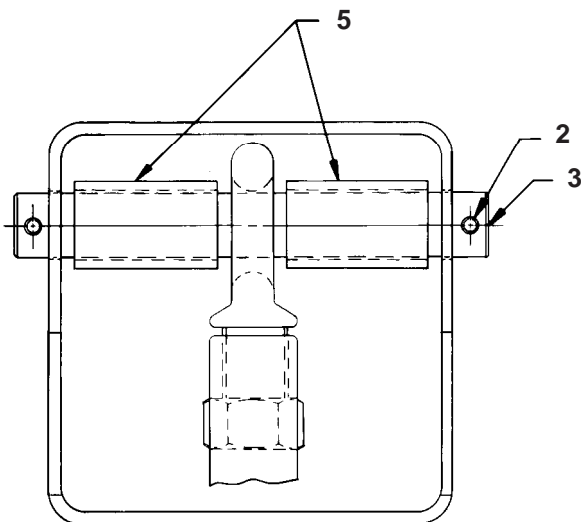


**Detail C**

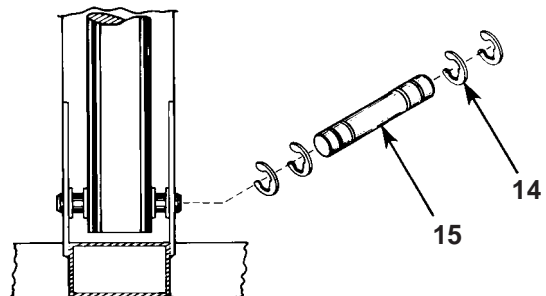


**Detail E**

Item No.	Part No.	No. Req'd	Description
1	205895	4	Spacer
2	10982	6	Roll Pin
3	207639	3	Pin
4	12026-1	2	Wheel
5	28697	2	Spacer
6	10236	4	Washer
7	207643	2	Bushing
8	207644	4	Spacer
9	207657	2	Inner Bearing Race
10	207658	2	Needle Roller Bearing
11	44821	2	Wheel
12	207254	2	Jam Locknut
13	19340	2	Hex Hd. Cap Screw
14	207634	4	Retaining Ring
15	303229	1	Pin
16	10238	4	Washer



**Detail D**



**Detail F**