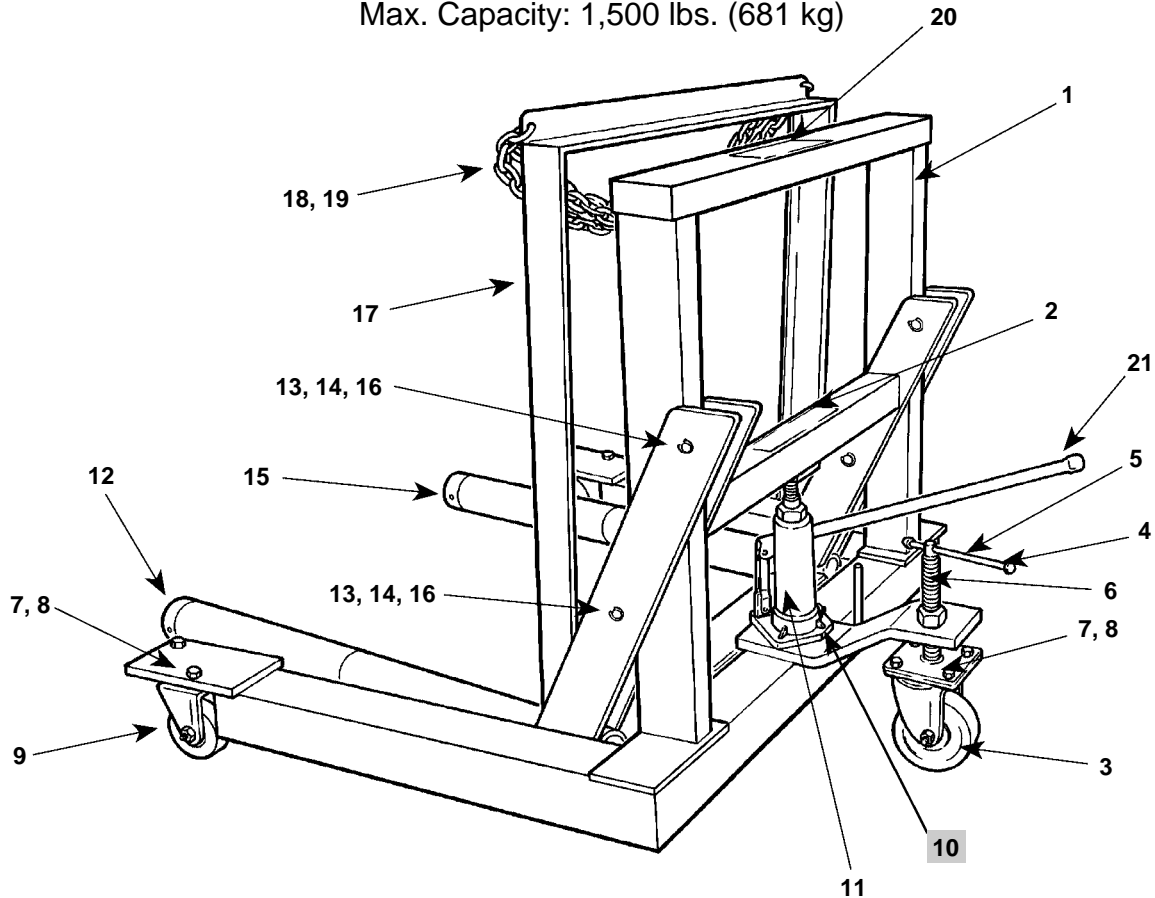


**Parts List &
Operating Instructions**
for:

**014-00030
1770A**

Dual Wheel Dolly

Max. Capacity: 1,500 lbs. (681 kg)

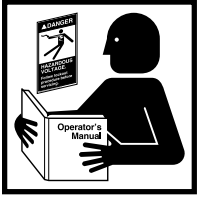


Item No.	Part No.	No. Req'd	Description	Item No.	Part No.	No. Req'd	Description
1	60212	1	Base	17	50674	1	Dual Wheel Dolly Lift
2	313552	1	Caution Decal	18	212905	1	Straight Link Chain
3	221596	1	Locking Caster	19	12086	2	"S" Hook
4	15942	2	Cap Nut	20	313551	1	Decal (for 1770-A)
5	308740	1	Turning Bar		12768	1	Decal (for 014-00030)
6	308741	1	Screw Assembly	21	223159	1	Handle
7	10049	8	Hex Hd. Cap Screw ($3/8-16 \times 1"$)	Parts Included but Not Shown			
8	10204	8	Hex Nut ($3/8-16$)	212906	1	Open End Hook (on end of chain)	
9	205726	2	Swivel Caster	201829	1	Decal (for 014-00030)	
10	215090	2	Cap Screw ($1/4-20 \times 1/2"$)	216703	1	Made in USA Decal (for 1770-A)	
11	313544	1	Two Ton Jack	215224	2	Tube Cap	
12	200132	4	Sleeve	218083	2	Warning Decal	
13	200134	4	Roller Shaft				
14	11581	8	Retaining Ring ($1/2"$ shaft)				
15	12084	2	Roll Pin				
16	200133	4	Guide Post Roller				

Shaded area reflects last revision made to this form.

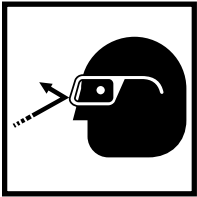
Parts List & Operating Instructions

Safety Precautions



⚠ Caution: Failure to follow these warnings could cause a loss of load, damage to equipment, and / or failure of equipment, which may result in personal injury or property damage.

- Read and understand all safety precautions and operating instructions before using this dolly.
- Wear eye protection that meets ANSI Z87.1 and OSHA standards.
- Use the dolly on hard, level surfaces only.
- Apply the load as close to the vertical portion of the lifting member as possible. Do not exceed the 1,500 lbs. (681 kg) capacity.
- Before moving the load: center the load on the dolly, lower the dolly completely, and secure the load with the restraint chain.



Assembly

1. Install the jack handle into its receptacle on the jack. (When the jack is not in use, store the jack handle on the storage pin shown in Figure 1.)
2. Check the hydraulic oil level in the jack, and add oil if needed.
3. Lubricate all moving parts with SAE 30 oil.

Operating Instructions

1. After the vehicle has been raised and correctly blocked, position the dolly's lifting arms under the tire(s). Pump the jack until the lifting arms meet the tire(s). Turn the adjusting screw (on the trailing wheel mounting bracket) to tilt the lifting arms until they make full contact with the tire(s).
2. Wrap and hook the restraint chain around the tire(s).
3. Pump the jack to raise the lifting arms until the full load of the tire(s) is supported. Back the dolly away to remove the wheel(s) from the vehicle.
4. If it is necessary to pack wheel bearings, lower the wheel assembly to the floor. Unhook the restraint chain, and remove the dolly. Pack the wheel bearings. Install the dolly and restraint chain again, and raise the wheel assembly to the required height. Adjust the tilt to correspond with the angle of the axle, and install the wheel assembly. Remove the dolly.

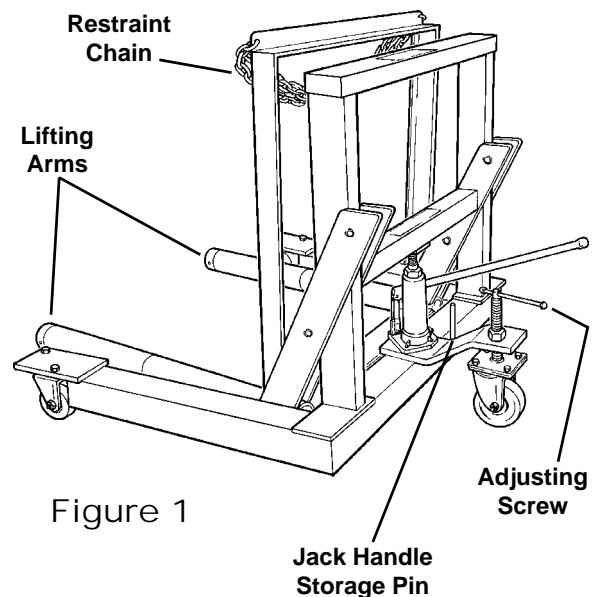


Figure 1

Preventive Maintenance

1. Grease caster swivel mountings every six months.
2. Check the oil level in the jack reservoir every six months, and fill with hydraulic oil, if needed.
3. Periodically lubricate the tilt adjusting screw and dolly wheels with SAE 30 oil.
4. Periodically remove the roll pin (Item 15) at the end of each lifting arm, and slide the rollers off (Item 12). Clean the rollers, lubricate with grease, and reassemble.
5. Check the restraint chain for condition and correct attachment.
6. Periodically lubricate the guide post rollers (Item 16).