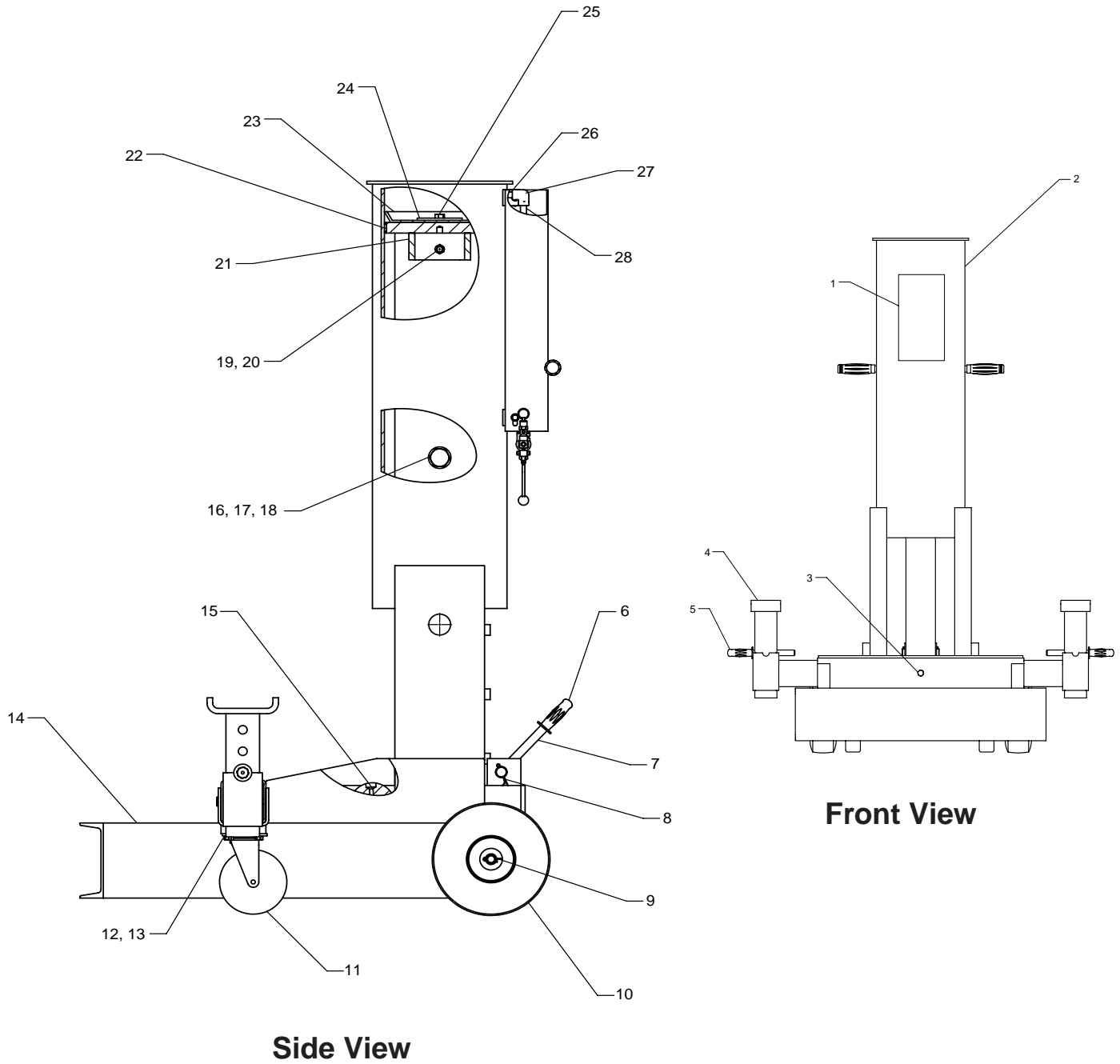
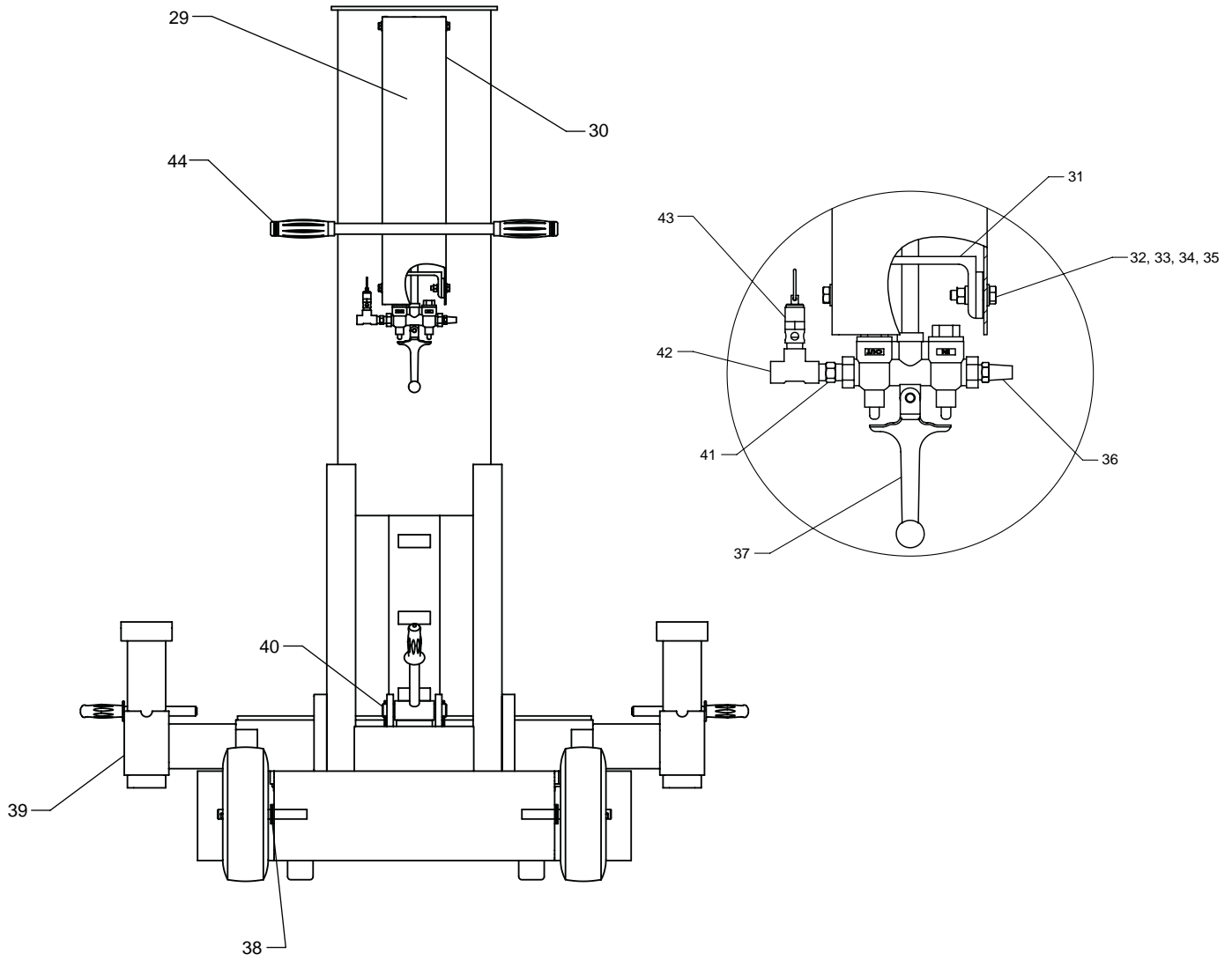


**Air Lift**

Max. Capacity: 10 Tons at 200 PSI





Item No.	Part No.	No. Req'd	Description
2	62269	1	Body Weldment
4	53586	2	Saddle Leg Weldment
14	62270	1	Stand Assembly
21	557783	1	Piston Weldment
22	217175	3 ft.	Bearing Strip
23	217164	1	U-cup Packing
28	217161	1	Long Nipple
30	62268	1	Cover Assembly
31	310325	1	Angle Bracket
37	558282	1	Air Valve
39	310317	2	Saddle Weldment
43	558289	1	Relief Valve (215 PSI)

**Caster Kit 564170**

<b>Item No.</b>	<b>No. Req'd.</b>	<b>Description</b>
11	2	6" Swivel Caster

**Hardware Kit 564171**

<b>Item No.</b>	<b>No. Req'd.</b>	<b>Description</b>
1	1	Logo Decal
3	1	Cap Screw (1/2-13 x 5" lg.)
12	8	Cap Screw (3/8-16 x 3/4" lg.)
13	8	Lockwasher (for 3/8" bolt)
15	1	Grease Fitting
16	1	Cap Screw (1"-8 x 5" lg.)
17	1	Nut (1"-8)
18	2	Flat Washer (for 1" bolt)
19	1	Cap Screw (1/2-13 x 6" lg.)
20	2	Nut (1/2-13)
24	1	Washer
25	1	Cap Screw (1/2-13 x 1-1/4" lg.)
26	1	Nipple Fitting
27	1	90° Elbow Fitting
44	2	Handle Grip

**Pivot Stop Handle Kit 564172**

<b>Item No.</b>	<b>No. Req'd.</b>	<b>Description</b>
6	1	Handle Grip
7	1	Pivot Stop
8	2	Cotter Pin
40	1	Pin

**Saddle Pin Set Kit 564173**

<b>Item No.</b>	<b>No. Req'd.</b>	<b>Description</b>
5	2	Saddle Pin

**Valve Hardware Kit 564174**

<b>Item No.</b>	<b>No. Req'd.</b>	<b>Description</b>
29	1	Warning Decal
32	4	Cap Screw (5/16-18 x 1-1/4" lg.)
33	4	Nut (5/16-18)
34	4	Lockwasher (for 5/16" bolt)
35	4	Plain Washer
36	1	Exhaust Muffler
41	1	Straight Fitting
42	1	Tee Fitting

**Wheel Kit 564175**

<b>Item No.</b>	<b>No. Req'd.</b>	<b>Description</b>
9	2	Cotter Pin
10	2	10.5" Wheel
38	<sup>F</sup> AR	Flat Washer (for 3/4" bolt)

<sup>F</sup>as required; max of (4) washers per side