

## Brake Drum Dolly

Maximum Capacity: 68 Kg (150 lbs.)

*Description: Use to remove, install, and transport 381 mm (15 in.) or 419 mm (16.5 in.) outboard-mounted truck brake drums used on class 7 and 8 tractor and trailer brake systems.*



### Explanation of Safety Signal Words

The safety signal word designates the degree or level of hazard seriousness.

**!** **DANGER:** Indicates an imminently hazardous situation which, if not avoided, will result in death or serious injury.

**!** **WARNING:** Indicates a potentially hazardous situation which, if not avoided, could result in death or serious injury.

**!** **CAUTION:** Indicates a potentially hazardous situation which, if not avoided, may result in minor or moderate injury.

**CAUTION:** Used without the safety alert symbol indicates a potentially hazardous situation which, if not avoided, may result in property damage.

# Parts List & Operating Instructions

---

## Safety Precautions



**CAUTION:** To prevent personal injury and/ or property damage,



- Study, understand, and follow all safety precautions and operating instructions before using this brake drum dolly. If the operator cannot read instructions, operating instructions and safety precautions must be read and discussed in the operator's native language.



- Only qualified operators may install, operate, adjust, maintain, clean, repair, inspect, or transport this brake drum dolly.
- Wear steel-toed shoes.



- Wear eye protection that meets ANSI Z87.1, CE EN166, AS/NZS 1337, and OSHA standards.
- Use only on a hard, level surface.
- Do not exceed the rated capacity shown on the brake drum .
- Do not use this brake drum dolly for anything other than its intended purpose.
- No alteration shall be made to this product.
- Inspect the condition of the brake drum dolly before each use; do not use if damaged, altered, or in poor condition.
- Use only those repair parts called out in the parts list in this document. Items found in the parts list have been carefully tested and selected by OTC.

**Note:** The numbers in parenthesis throughout the assembly and operating instructions correspond with item numbers shown in the parts list.

## Assembly Instructions

1. Insert the handle (17) into the holder, and install the cotterless hitch pin (16).
2. Assemble the two drum stops (23) on the **outside** of the drum dolly frame using bolts (15), washers (26), and locknuts (25).

## Operating Instructions

### Removing the Drum

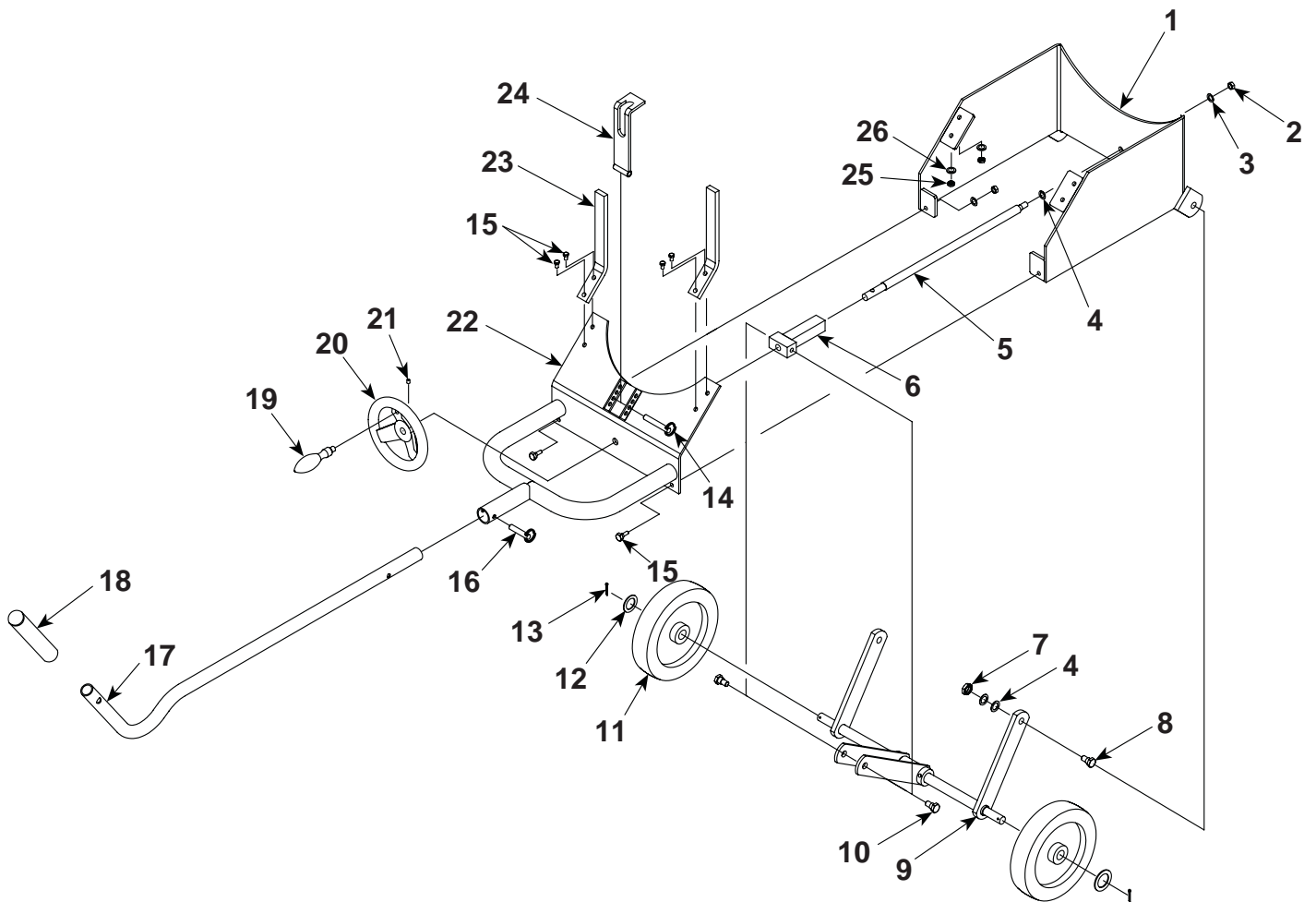
1. Prepare the brake drum for removal according to the instructions in the vehicle service manual. The brakes must be backed off and the drum broken loose from the hub assembly.
2. Place the drum dolly handle in a horizontal position.
3. Turn the crank handle counterclockwise (CCW) until the drum dolly is in its lowest position.
4. Rest the hook back toward the handle.
5. Position the dolly under the drum until the drum stops meet the outer surface of the drum. Turn the crank handle clockwise (CW) until the dolly meets the lower surface of the drum.
6. Lower the dolly handle to lift the drum slightly. Pull the dolly and drum back about 101.6 mm (4 in.), away from the brake assembly.
7. Flip the hook (24) into the hub opening of the drum. **Note:** It may be necessary to adjust the hook. Remove the cotterless pin (14), and move the hook to any one of three hole locations.
8. Pull the drum completely away from the brake assembly. Slowly and carefully lift the handle to place the drum face down on the floor, being cautious of the transfer of load weight.

Operating Instructions continued

Installing the Drum

1. Flip the hook into the drum hub opening.
2. Pull back and push down on the dolly handle to lift the drum.
3. Roll the drum dolly to the brake assembly.
4. Raise or lower the drum by moving the dolly handle up or down, or by turning the crank handle.
5. Install the brake drum on the brake assembly only until the drum aligns with and is flush with the studs.  
Flip the hook out of the hub opening. **Note:** *If you push the brake drum too far onto the brake assembly, you can't get the hook out of the hub opening.*
6. Complete the drum installation according to the instructions in the vehicle service manual.
7. Remove the drum dolly by tipping the handle up and pulling the dolly away.

Parts List



# Parts List & Operating Instructions

---

## Parts List

Item No.	Qty.	Description	Item No.	Qty.	Description
1	1	Carriage Frame Assembly	14	1	Cotterless Pin
2	1	Locknut	15	6	Bolt
3	1	Washer	16	1	Cotterless Hitch Pin
4	5	Washer	17	1	Handle
5	1	Drive Screw	18	1	Handle Grip
6	1	Trunnion Assembly	19	1	Crank Handle
7	2	Locknut	20	1	Crank
8	2	Bolt	21	2	Expansion Pin
9	1	Axle Assembly	22	1	Carriage and Plate Assembly
10	2	Trunnion Screw	23	2	Stop Bar
11	2	Wheel	24	1	Hook
12	2	Washer	25	6	Locknut
13	2	Cotter Pin	26	6	Washer

## Replacement Part Kits

Item No.	Qty.	Description
<b>Drive Screw Kit</b>		
<b>No. 526459 includes:</b>		
2	1	Locknut
3	1	Washer
4	1	Washer
5	1	Drive Screw
6	1	Trunnion Assembly
19	1	Crank Handle
20	1	Crank
21	2	Expansion Pin
<b>Handle Kit</b>		
<b>No. 526458 includes:</b>		
16	1	Cotterless Hitch Pin
17	1	Handle
18	1	Handle Grip
<b>Wheel Kit</b>		
<b>No. 526457 includes:</b>		
11	1	Wheel
12	1	Washer
13	1	Cotter Pin

Item No.	Qty.	Description
<b>Hardware Kit</b>		
<b>No. 526460 includes:</b>		
2	1	Locknut
3	1	Washer
4	5	Washer
7	2	Locknut
8	2	Bolt
10	2	Trunnion Screw
12	2	Washer
13	2	Cotter Pin
14	1	Cotterless Pin
15	2	Bolt
16	1	Cotterless Hitch Pin
21	2	Expansion Pin
23	2	Stop Bar
24	1	Hook
25	6	Locknut
26	6	Washer