

OSGIKEN

Side Flange Modification for Dodge Viper 1992-2002 and Corvette C4 OS [Super Lock LSD](#) Installation

Introduction

You need to use enclosed 2 x M8 (8mm Diameter) bolts to connect genuine part side flanges with stoppers inside OS Super Lock LSD (1 Side Each). Therefore, you need to cut genuine part side flange axles at designated length. After that, you need to bore in the center of the flanges to get through the bolts in the side flanges.



1. Cutting the Side Flange Axles

Length of each genuine side flange is different. One side is longer and the other side is shorter. The longer side flange axle needs to be 123mm long from origin of the measurement to the top. The shorter side flange axle needs to be 103mm long from origin of the measurement to the top. Please start the measurement at the origin shown as Picture 1.



Picture 1

2. Boring the Side Flange

You need to bore in the center of the flanges getting through the flanges completely. Diameter of enclosed bolts is 8mm and you need to make 8.5mm bore in the center of the side flanges shown as Figure 2. The bore must penetrate from the cutting surface (Figure 2) to the bottom end of the side flange (Picture 3).

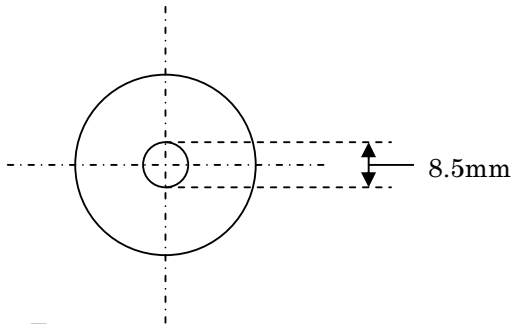


Figure 2



Picture 3

3. Bolts Installation

Please apply liquid gasket in between bolt head and the side flange to prevent differential oil leak. After that, tighten enclosed bolts (See Picture 3).

General Warning

- ※ Please be aware of potential risks and hazards when installing our products. We do not take any responsibilities for any loss and/or injury occurred when our products are modified, re-used and/or ill-fitted.
- ※ As our products are to be used in the closed conditions such as racing circuit, raceway and other off highway conditions, we may not accept returning of this product. Specifications of our products may be changed without warning.
- ※ All information on this manual is collected from Dodge Viper 1992-2002 and Corvette C4 sold in Japan and it may not be applied to the vehicles sold in your country.
- ※ Specifications may be changed without notice.