

ORACLE[®] PART # 2051-504



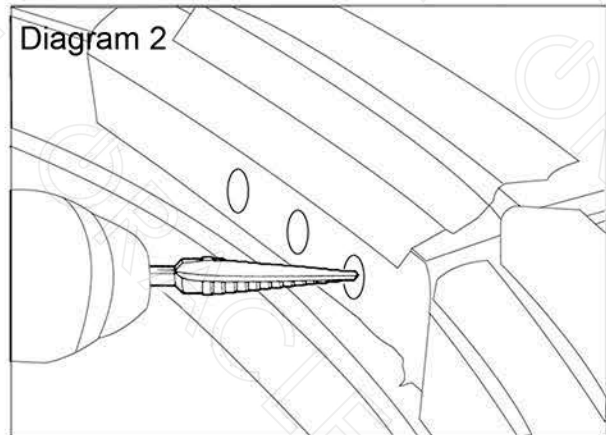
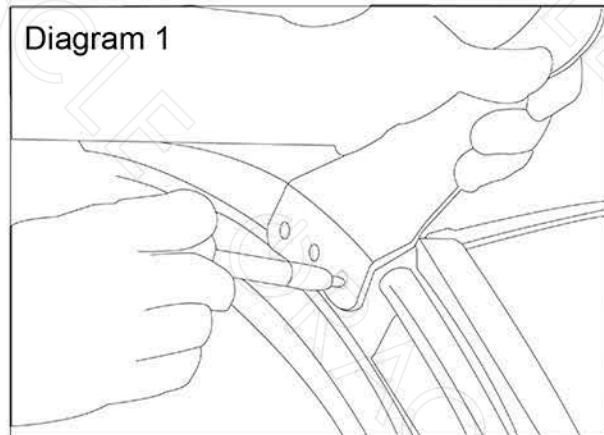
ROOF MOUNT LIGHT BAR BRACKET INSTALLATION

NOTICE: INSTALLATION REQUIRES DRILLING. PROFESSIONAL INSTALLATION IS HIGHLY RECOMMENDED.

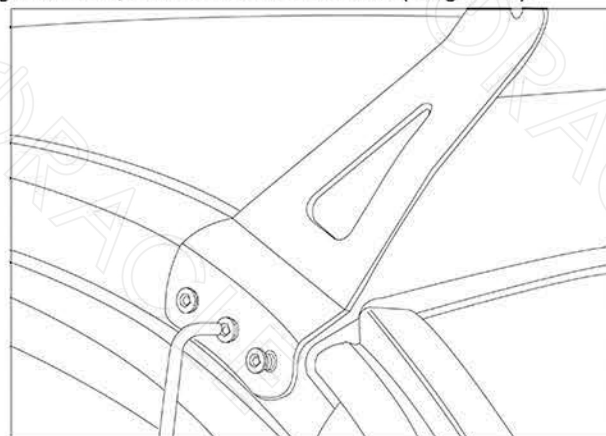
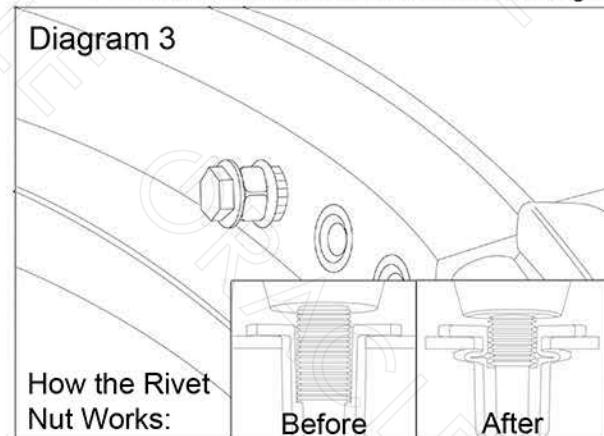
TOOLS NEEDED: Uni-Bit/Step Drill Bit • Masking Tape • Sharpie
• Allen Wrench Set • Open End Wrench

INSTALLATION INSTRUCTIONS

- Install the the driver and passenger side brackets onto your light bar first using the supplied hardware.
- Have assistant(s) hold the Light Bar and Bracket Assembly and then open both front doors of the truck.
- Pull back the weather stripping above the windshield on both sides exposing the metal door jamb area.
- Use masking tape, or any equivalent, to protect the paint while marking the hole locations (Diagram 1).
- Place the brackets and the light bar on top of the door jam 1/2" up from the windshield line (Diagram 1).
- Mark where the holes of the bracket meet the door jam. This is where holes will be drilled (Diagram 1).



- With assistance remove the bar/brackets from the door and drill the marked holes to the appropriate size.
- If you are not using a Uni-Bit be sure to first drill a "pilot hole" before drilling the larger holes (Diagram 2).
- Place rivet nuts into the drilled holes and using the longer bolt/nut, thread into into the insert (Diagram 3).



- Using a wrench and Allen Key, tighten the bolt with the Allen Key while holding the nut with the Wrench.
- This step will compress the nut insert and lock it into place. Continue step for all nut inserts (Diagram 3).
- Have your assistant(s) carefully hold the Light Bar/ Bracket Assembly up to the truck and align the holes.
- Now you can secure the Light Assembly to the truck door jam using the shorter Allen Bolts (Diagram 4).
- Finally, fully tighten the LED Light Bar to the Brackets and then fully tighten both brackets to the truck.
- Run Power Wires down the door sill, under the hood, and into the engine bay. Be sure not to kink wires.
- Re-install the factory door weather stripping securely in place and check final fitment of installed parts.
- Have a *professional* connect power to a *Fused* Relay Circuit. Fuse Size will depend on Light Bar Model.