

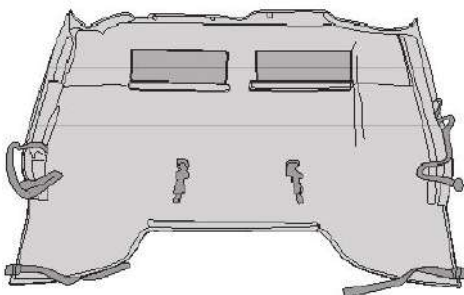
Important Safety Information



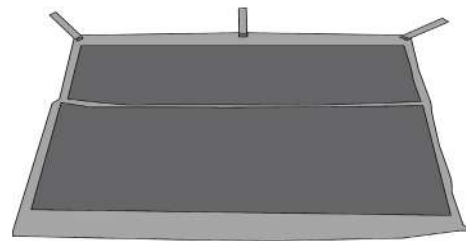
- Periodically check all components for tightness.
- Be sure to wear safety goggles while installing.
- When using power tools, read and understand all operating instructions.

Contents

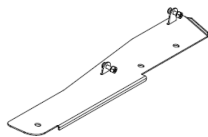
NOTE: Actual product may vary from illustration.



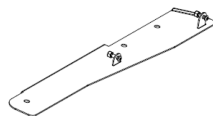
Main Deck x1



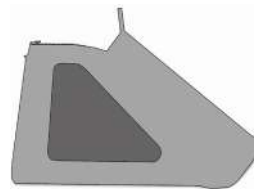
Rear Window x1



LH Door Surround
Mounting Plate x1



RH Door Surround
Mounting Plate x1



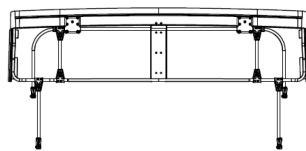
Left Side Window
x1



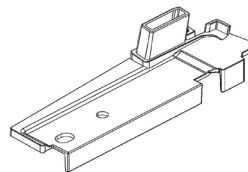
Right Side Window
x1



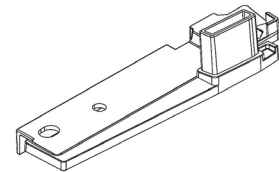
Anti-Puddle Pole
x2



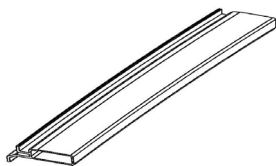
Flip Top Header
Assembly x1



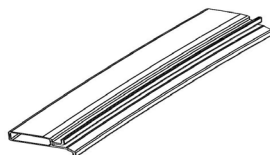
LH Upright Lower
Plastic x1



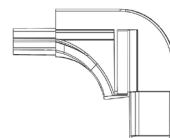
RH Upright
Lower Plastic x1



LH Upright x1



RH Upright x1



LH Upper Corner
Plastic x1



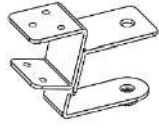
RH Upper Corner
Plastic x1

Contents cont.

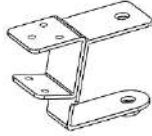
NOTE: Actual product may vary from illustration.



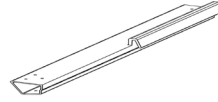
Door Surround
Front Bracket x2



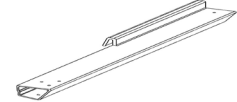
Door Surround
Front Bracket (Middle)
x2



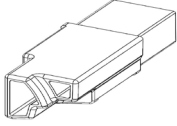
Door Surround
Rear Bracket x4



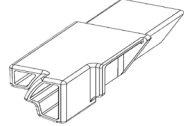
LH Front Door Bar
x1



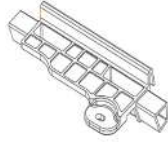
RH Front Door Bar
x1



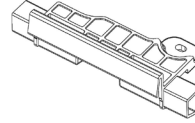
LH Front Plastic
Adaptor x1



RH Front Plastic
Adaptor x1



LH Middle Plastic
Adapter x1



RH Middle Plastic
Adapter x1



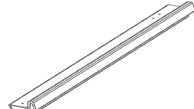
Front Latch x2



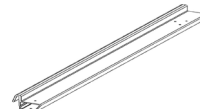
Pan Head Self-
Tapping Screw x48



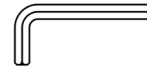
Top Retention
Strap x1



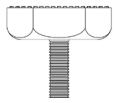
LH Rear Door Bar
x1



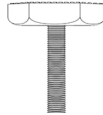
RH Rear Door Bar x1



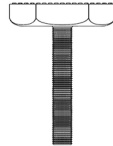
Allen Wrench x2



Door Surround
Knob - Short x2
M8X30



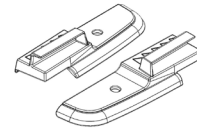
Door Surround
Knob - Medium x4
M8X65



Door Surround
Knob - Long x4
M8X75



Tailgate Bar x1



Tailgate Mount x 2



Upright Turn Knob
x 2

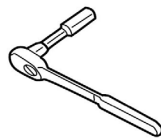


Sound Bar Strap
x 2

Tools Required



Phillips Screwdriver



Ratchet & Extensions



Torx Bits



Allen Wrench



Safety Glasses

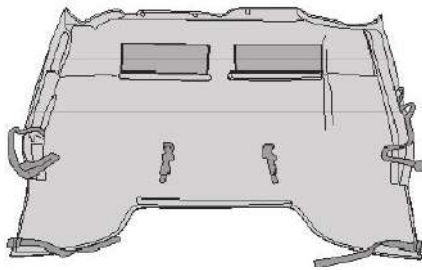
Pre-Installation Requirements



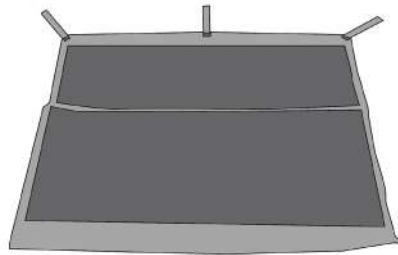
- Remove existing hard or soft top. For OEM (original/factory) soft tops, also remove:
 - Windshield Header Bar
 - Tube frame hardware from roll bar
 - Side Door surrounds
 - Rear window, tailgate bar, tailgate clips

Installation Steps **NOTE: Actual product may vary from illustration.**

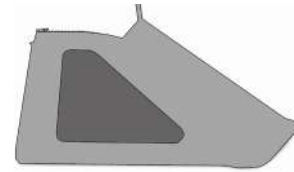
Important: For a smooth fit and ease of installation, this top should be installed at temperatures above 72 degrees. Below this temperature, the fabric may contract an inch or more making it difficult to install. We highly recommend taking your new Top out of the package and letting it sit inside a warm place or in direct sun light for 1-2 hours before you install the top. When warm, this top will install quickly.



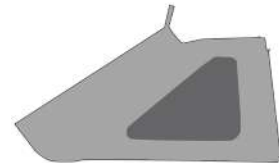
Main Deck x1



Rear Window x1

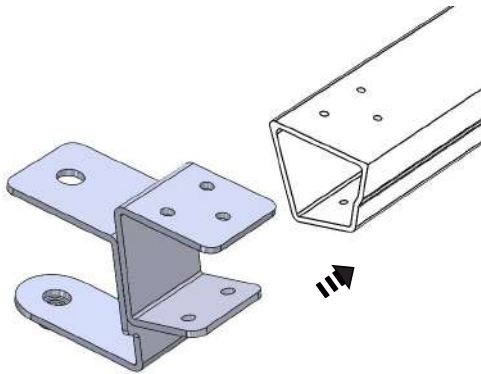


Left Side Window x1



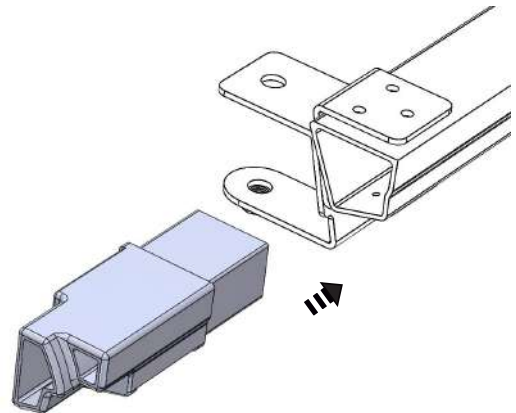
Right Side Window x1

Install driver's door surround. Slide Door Surround Front Bracket onto LH front door bar as shown below.



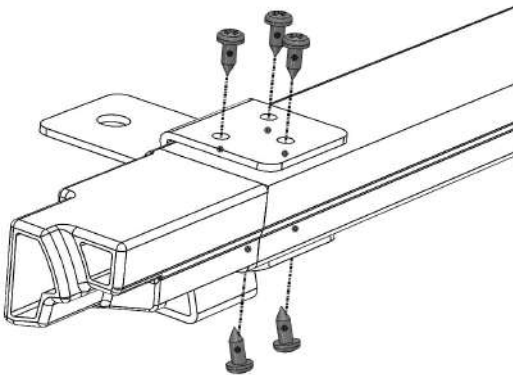
1

Push Front Plastic Adaptor into front door bar.



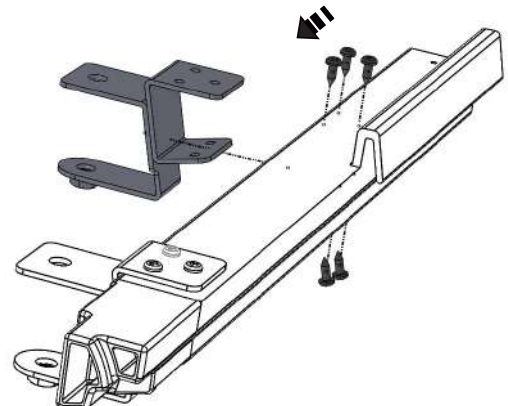
2

Secure all pieces with 5 self-tap screws.



3

Slide Door Surround Front Bracket (Middle) onto LH front door bar and secure with 5 self-tap screws.

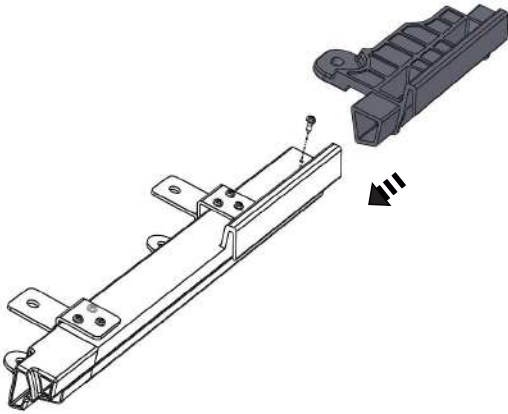


4

Installation Steps **NOTE: Actual product may vary from illustration.**

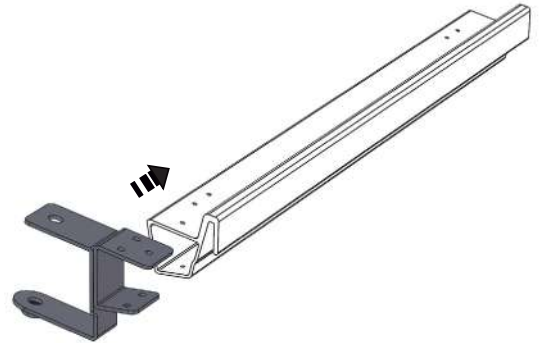
Install LH Middle Plastic Adaptor onto front door bar & secure all pieces with 1 self-tap screws.

5



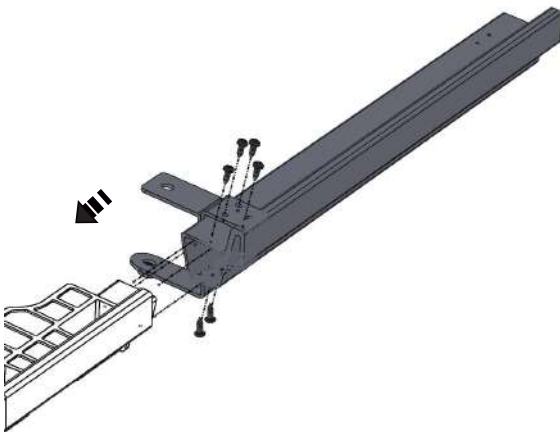
Slide Front Rear Bracket onto LH Rear Door Bar as shown below.

6



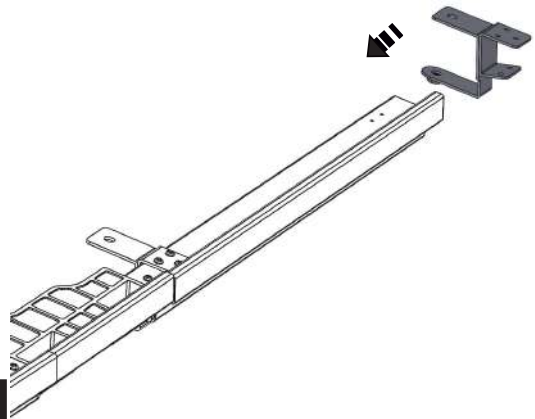
Install LH Rear Door Bar onto the adaptor & secure all pieces with 6 self-tap screws.

7



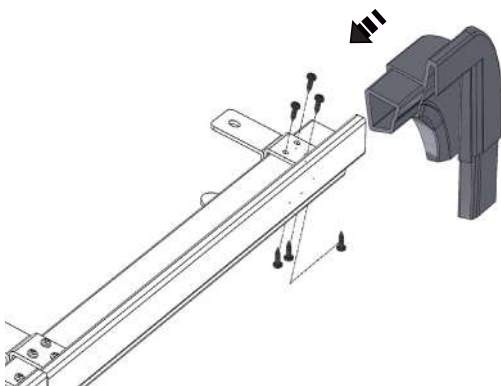
Slide Rear Bracket onto LH Rear Door Bar as shown below.

8



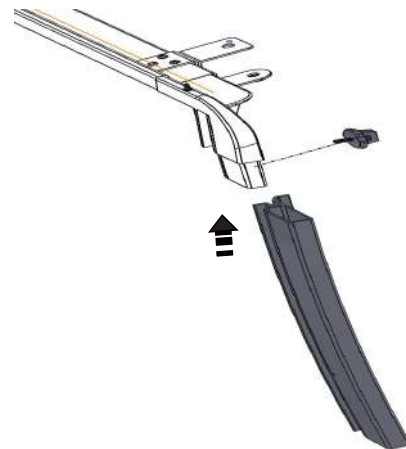
Install LH Upper Corner onto LH Rear Door Bar & secure all pieces with 6 self-tap screws.

9



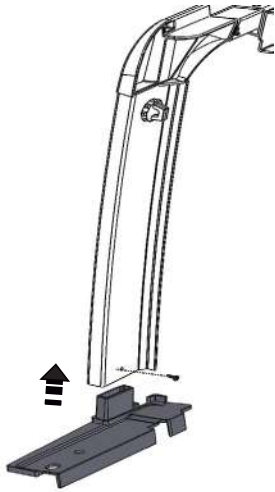
Install LH Upright onto LH Upper Corner and secure with Upright Turn Knob.

10



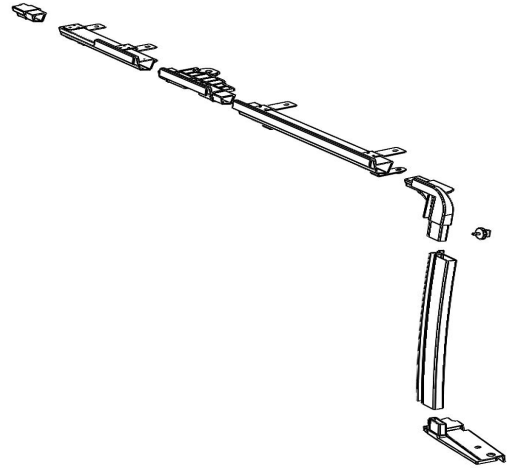
Installation Steps **NOTE: Actual product may vary from illustration.**

Install LH Upright Lower Plastic onto LH Upright and secure with 1 self-tap screw.



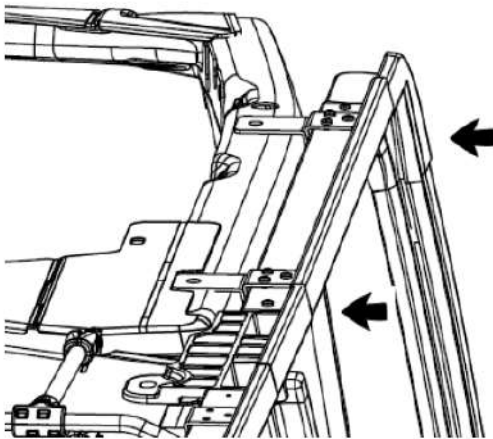
11

Repeat this section (steps 1-11) to assemble passenger's side door surround.



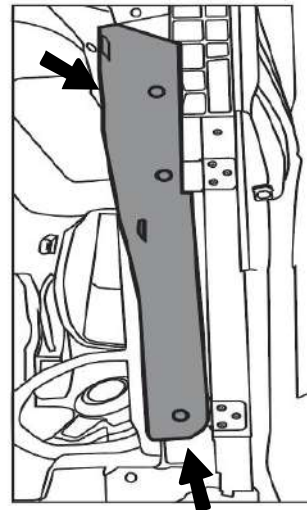
12

Position completed door surround onto the vehicle and fit the bracket over the roll bar.



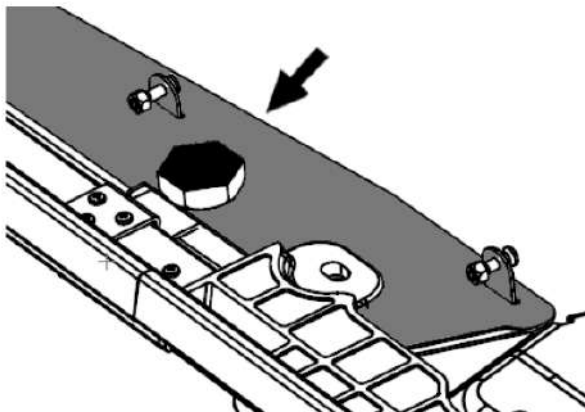
13

Fit LH Door Surround Mounting Plate on top of door surrounds.



14

Secure the mounting plate to the roll cage using turn-knobs in the holes. Do not fully tighten knob yet.



15

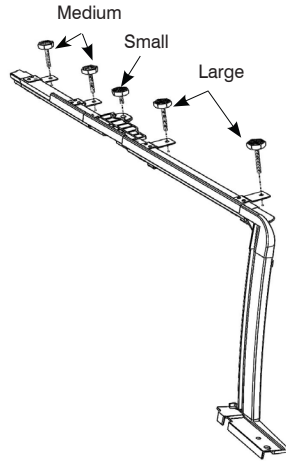
Fit top retention strap to driver side - between the hinge plate rear hole and the door surround bracket, and screw down with small knob.



16

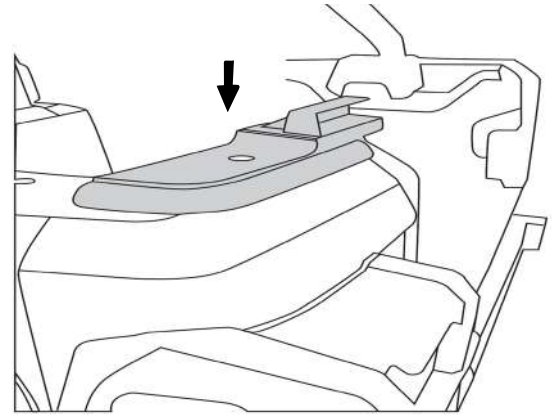
Installation Steps **NOTE: Actual product may vary from illustration.**

Tighten all door surround knobs into door surround assembly at this time. Repeat steps 13 through 16 on passenger side.



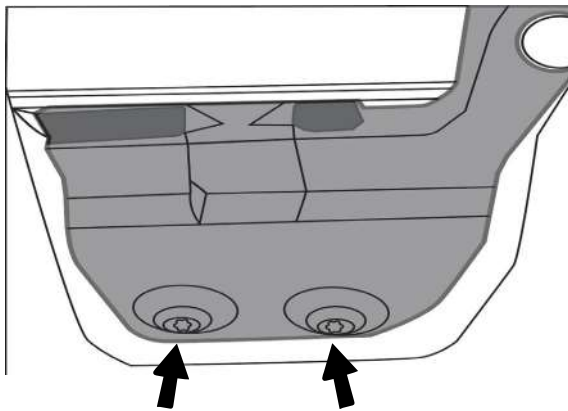
17

Attach the Tailgate Mount to the Jeep rail. Using one OEM Torx head screw. Insert the screw through the retainer, and into threaded holes in the top of the Jeep belt rail, and tighten. Repeat the same step to the passenger side.



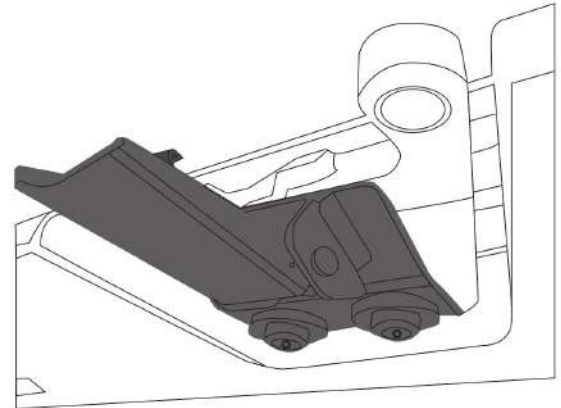
18

Using a Torx T40 bit to remove the latch bracket screws from the windshield on bottom the driver's and passenger's side. Save screws for re-use.



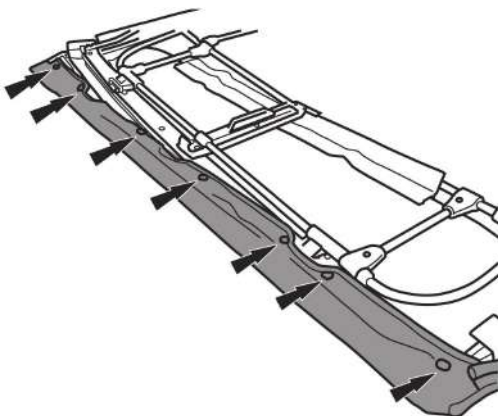
19

Place provided latch as shown and reattach with the screws from the previous step. Do not tighten the screws and adjustment may be needed. Repeat steps 19-20 for the other side.



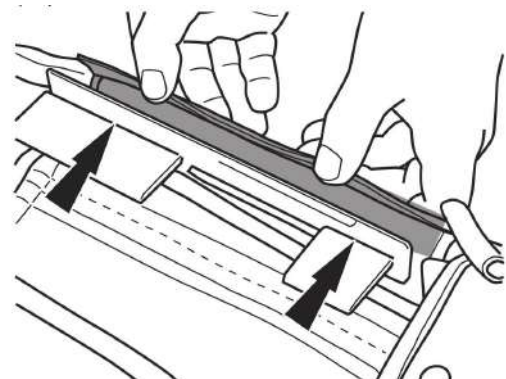
20

Fold back the hardware tubes of the header channel assembly then install the main deck fabric. Secure with snaps as shown.



20

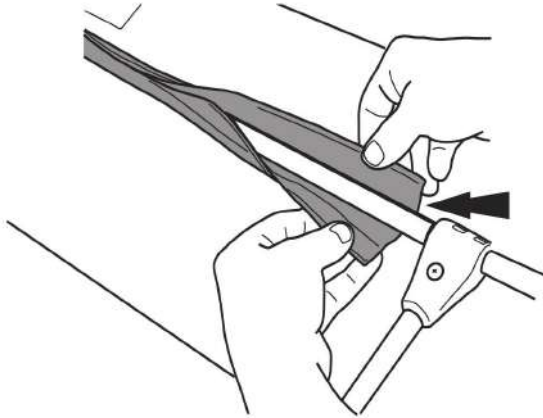
Tuck the plastic strip behind latches and along side rails. See photo below for proper fit.



21

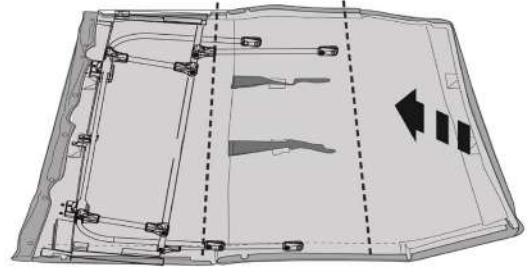
Installation Steps **NOTE: Actual product may vary from illustration.**

Secure the Flip Top Header Assembly to the Soft Top Deck by engaging the Hook and loop flap around the tube.



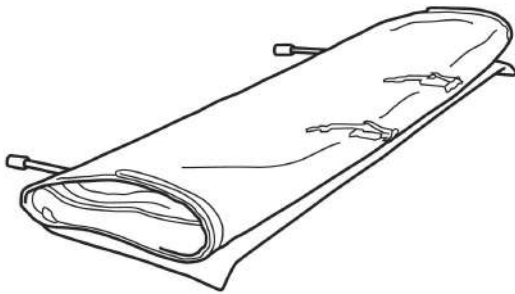
22

Roll up the Soft Top Deck to make installation to the Flip Top Plates more manageable.



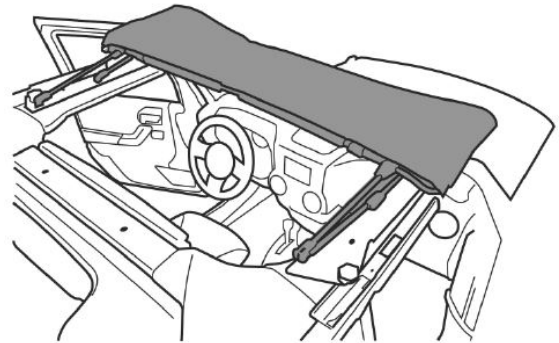
23

TIP: It may be helpful to have a second person for this step. Place the top face down and re-fold, beginning with the rear portion.



24

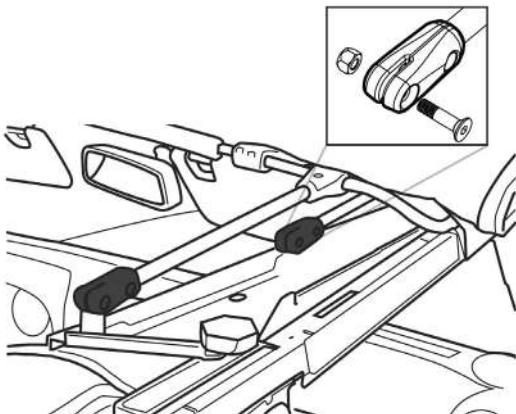
Lift the soft top and header channel assembly onto the windshield gasket.



25

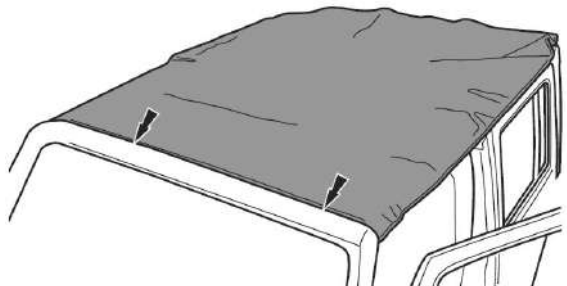
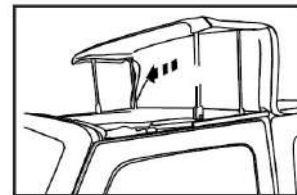
Place pivot tubes over the mount hinge plate. Line up the brackets then secure with the counter-sink Allen head screw and nylon lock-nut.

TIP: Lift up the main fabric for easier access to the brackets.



26

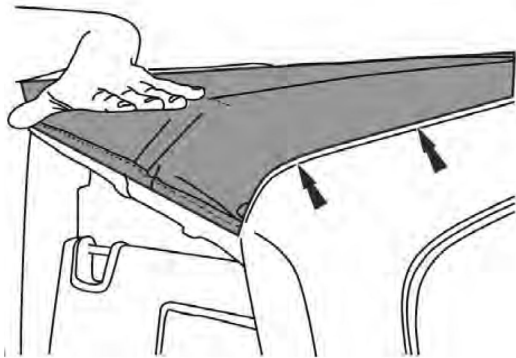
Unfold the soft top main deck fabric over the top of the roll cage and in place. Close the top toward the windshield.



27

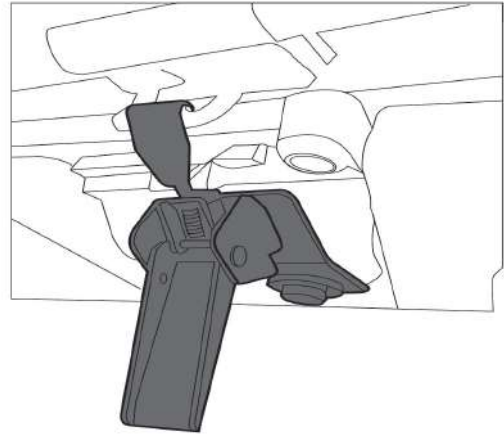
Installation Steps **NOTE: Actual product may vary from illustration.**

Check the front edge to windshield edge lines up to windshield seal.



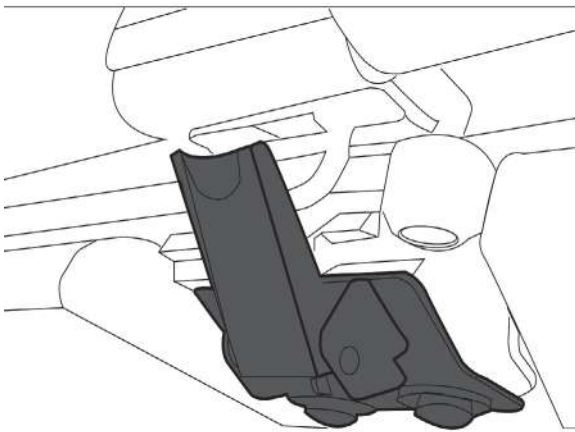
28

With both latches open as shown below, turn each hook until it grabs onto the soft top hoop with slight tension.



29

Close both latches and make sure both are snug, but not overly tight.



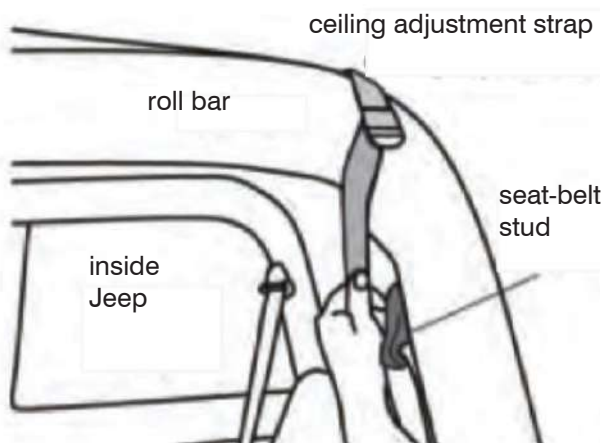
30

Wrap the 2 straps attached to the main section of fabric around the rear-middle of the sound bar. Hook into the holes of overhead brackets. Tighten the strap until snug.

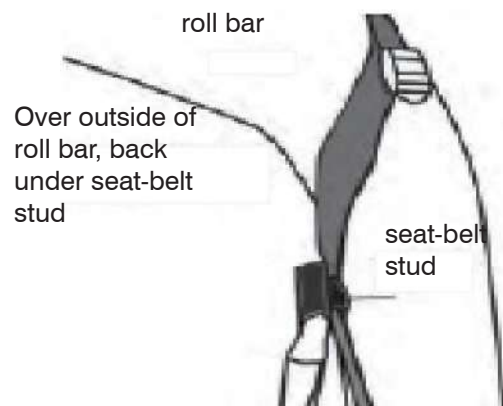


31

Locate the ceiling adjustment straps at the corners of the ceiling panel. Wrap the straps around the roll bar and seatbelt stud toward the inside of the Jeep, then back up to the strap adjustment buckle. Adjust each side to position the top evenly. See diagram below. Tighten and repeat for the passenger side.



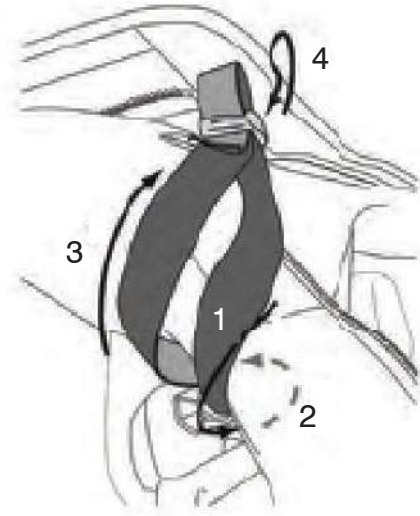
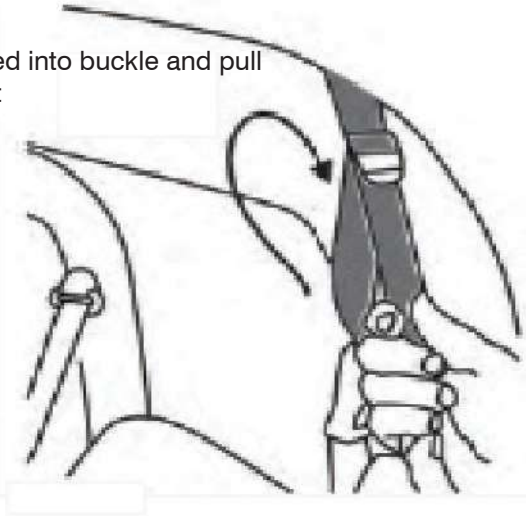
32



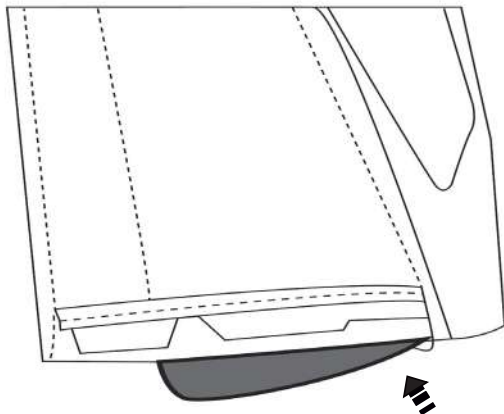
Installation Steps

NOTE: Actual product may vary from illustration.

now feed into buckle and pull up tight

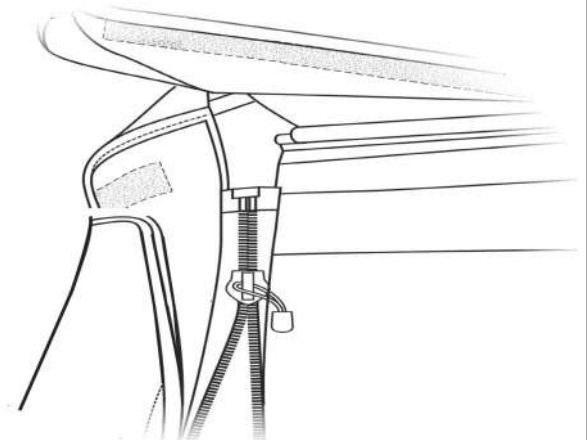


Insert the plastic stiffener into the fabric sleeve-pocket of side window. Repeat this on both sides of the side windows.



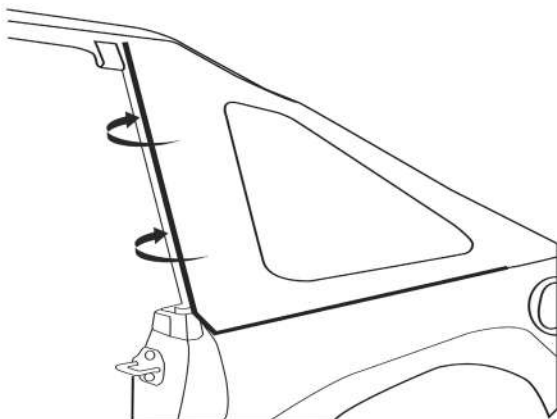
33

Lift up the corners of the top fabric to expose the zippers on the side and rear windows. Secure all windows to the Main Deck by zipping fully into place.



34

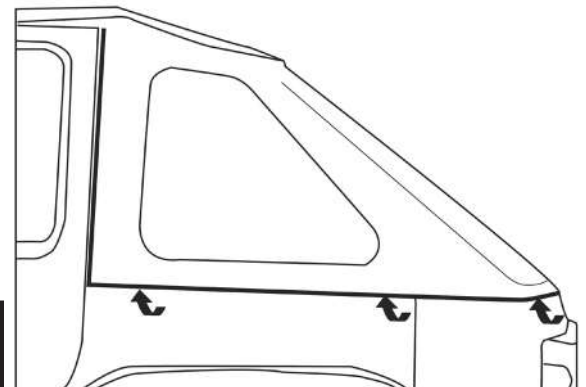
Locate the sewn-in plastic strip along the front edge of the Left Side Window. Tuck the plastic strip into the vertical channel along the outside face of the LH Upright.



35

Tuck the plastic strip along the bottom edge of the Left Side Window under the Jeep belt rail, by rolling it up underneath the belt rail, beginning at the door, and working your way backward.

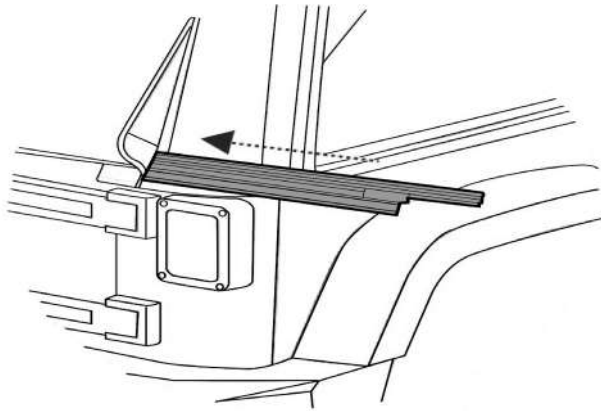
Repeat on the Right Side Window.



36

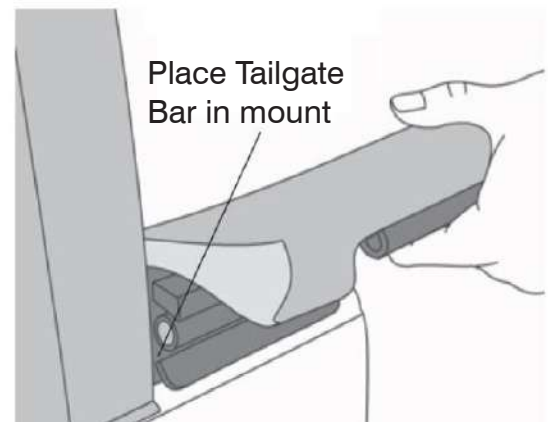
Installation Steps **NOTE: Actual product may vary from illustration.**

Slide the tailgate bar onto the bottom of the rear window.



37

Snap the tailgate bar into the mount by pushing the bar against the mounts and rotate tailgate bar downward.



38

Care and Cleaning

- Rugged Ridge parts are built to last. Use mild soap and dry clean cloth to wash your Soft Top.
- Do not use any harsh abrasive detergents or cleaning solvents of any kind.
- Periodically check and lubricate moving parts.

Congratulations!

You have purchased one of the many quality Rugged Ridge branded products. We take the utmost pride in our products and want you to enjoy years of satisfaction from your investment. We have made every effort to ensure that your product is of the highest quality for fit, durability, finish, and ease of installation.

Learn more about soft tops and hard tops we have.