

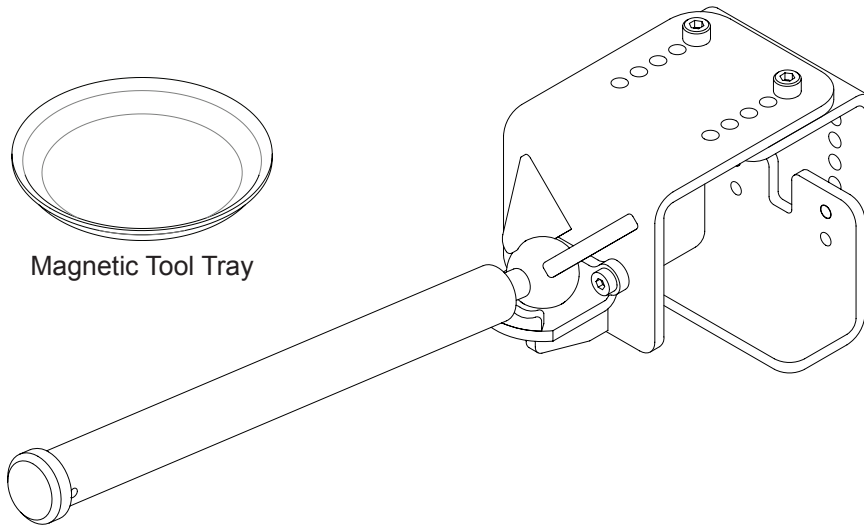
Operating Instructions & Parts Manual



Omega Wheel Arm™

Model
92100

Capacity
100 lbs.



US Patent 9,174,829



This is the safety alert symbol. It is used to alert you to potential personal injury hazards. Obey all safety messages that follow this symbol to avoid possible injury or death.

SFA Companies

Read this manual and follow all the Safety Rules and Operating Instructions before using this product.

SAFETY AND GENERAL INFORMATION

Save these instructions. For your safety, read, understand, and follow the information provided with and on this device before using. The owner and/or operator shall have an understanding of the device, its operating characteristics and safety operating instructions before operating the equipment. The owner and/or operator shall be aware that use and repair of this product may require special skills and knowledge. Instructions and safety information shall be read to and discussed with the operator in the operator's native language, making sure that the operator comprehends their contents, before use of this equipment is authorized. If any doubt exists as to the safe and proper use of this device, remove from service immediately.

Inspect before each use. Do not use if abnormal conditions such as cracked welds, damaged, loose or missing parts are noted. Any equipment that appears damaged in any way, is found to be worn, or operates abnormally shall be removed from service until repaired. If the equipment has been or is suspected to have been subjected to an abnormal load or shock, immediately discontinue use until inspected by a factory authorized repair facility (contact distributor or manufacturer for list of authorized repair facilities).

PRODUCT DESCRIPTION

The Omega Wheel Arm™ is designed to clamp onto the lift arms of a 2-Post Lift, and support an automobile wheel of no more than 100 lbs. The upward slope and plastic stop will ensure that the wheel does not slip off while being supported by the Omega Wheel Arm™. There is a reinforced rubber hose on the support bar to ensure no damage occurs to the rim of the wheel. The Omega Wheel Arm™ is designed to fit many, but not all 2-Post Lifts.

⚠ WARNING: *Never hang on the Omega Wheel Arm™ or use it to support any bodily load.*

PREPARATION

Before Use

1. Before using this product, read the operator's manual completely and familiarize yourself thoroughly with the product, its components and recognize the hazards associated with its use.
2. Verify that the product and application are compatible.
3. Determine the height and width of the 2-Post Lift beam, and verify that the corresponding dimensions are stamped on the Omega Wheel Arm™.

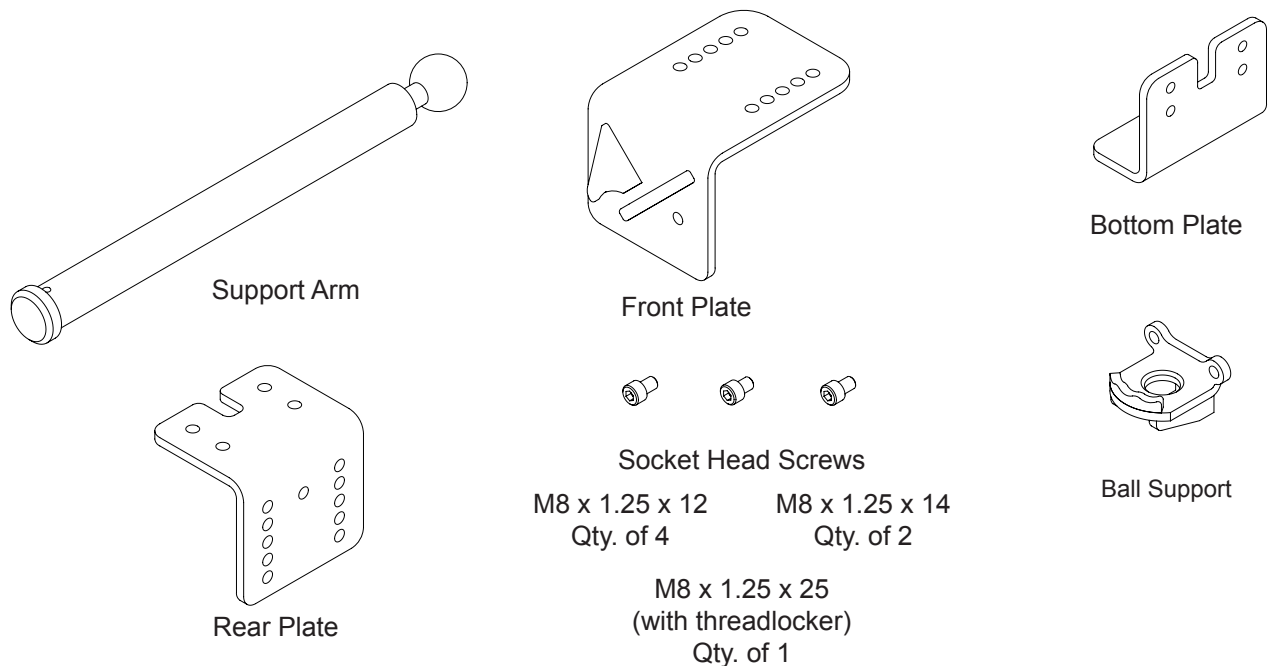


Figure 1 - Omega Wheel Arm™ Nomenclature

Assembly

1. Raise 2-Post Lift up to a workable height.
2. Place the Rear Plate on the top interior side of the 2-Post Lift beam.
3. Place the Bottom Plate underneath the 2-Post Lift beam and between the Rear Plate; attach using 2 of the M8 x 1.25 x 12 Socket Head Screws. (refer to Fig. 2)

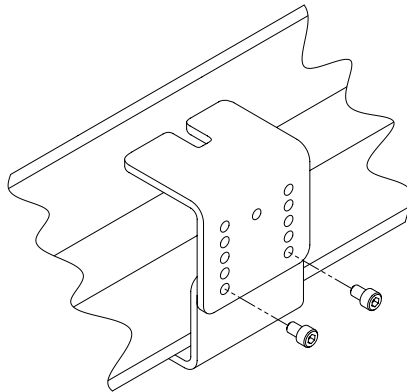


Figure 2: Attaching Bottom Plate to the Rear Plate.

4. Put the Front Plate on top of the Rear Plate facing the opposite direction, and attach using 2 of the M8 X 1.25 X 14 Socket Head Screws. (refer to Fig. 3)

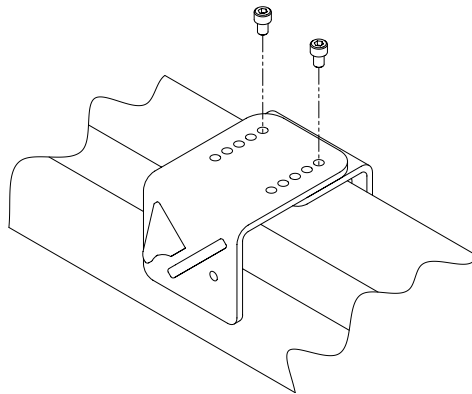


Figure 3: Attaching Front Plate to the Rear Plate.

5. While holding the Support Arm against the front supports of the Front Plate, place the Ball Support underneath the Support Arm and attach using 2 of the M8 x 1.25 x 12 Socket Head Screws. (refer to Fig. 4)

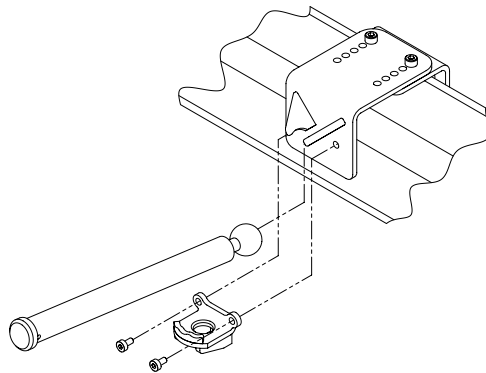


Figure 4: Attaching Ball Support and Support Arm to Front Plate.

Assembly (con't)

6. Tighten the remaining M8 x 1.25 x 25 Socket Head Screw in the middle hole to remove any slack.
(Refer to Fig 5.)
7. Place the Magnetic Tool Tray on the top of the Front Plate for convenient small part storage.
(Refer to Fig 6.)

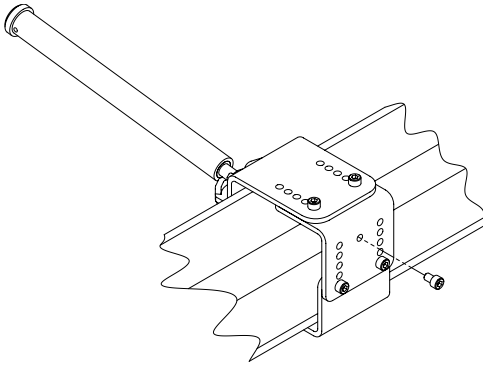


Figure 5: Placement of the M8 x 1.25 x 25 Socket Head Screws.

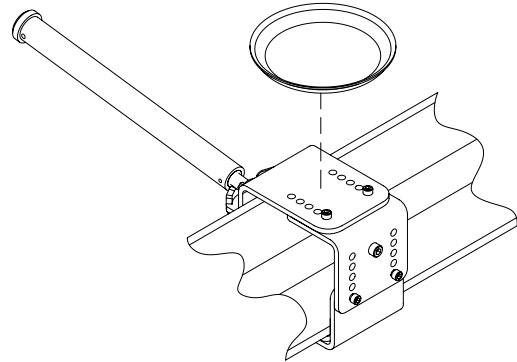




Figure 6: Placement of the Magnetic Tool Tray.

⚠ WARNING	
	
<ul style="list-style-type: none">• Study, understand, and follow all instructions before operating this device.• Do not exceed rated capacity.• When not in use, rotate support arm so that it rests against the 2-Post Lift beam.• Do not lower lift with wheel on Omega Wheel Arm™.• Ensure all bolts are tightened before use• No alterations shall be made to this product.• Only attachments and/or adapters supplied by the manufacturer shall be used.• Failure to heed these markings may result in personal injury and/or property damage.	

REPLACEMENT PARTS

Not all components of the jack are replacement items, but are illustrated as a convenient reference of location and position in the assembly sequence. When ordering parts, please give the model number, part number and parts description.

Item No.	Part Number	Description	Qty.
1	92100-1	Wheel Arm Assembly	1
2	92100-2	End Cap w/ Spring Pin	1
3	92100-3	Hardware Kit	1
-	92100-M0	Owner's Manual	1
-	92100-L1	Warning Label	1

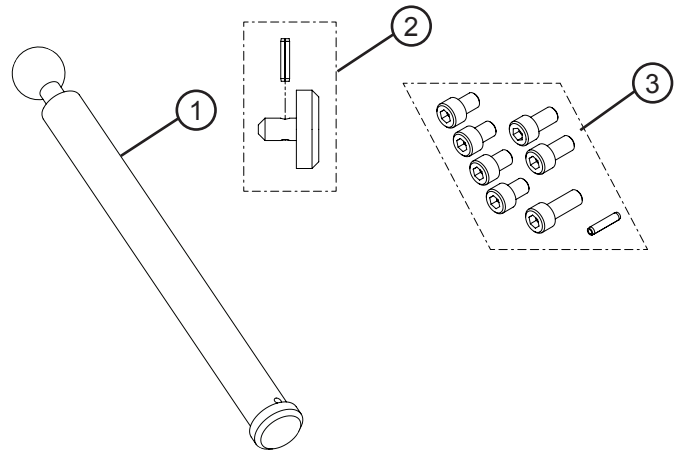


Figure 5: Omega Wheel Arm™ Hardware Kit components.

ONE YEAR LIMITED WARRANTY

For a period of one (1) year from date of purchase, **SFA Companies, Inc.** will repair or replace, at its option, without charge, any of its products which fails due to a defect in material or workmanship under normal usage. This limited warranty is a consumer's exclusive remedy.

Except where such limitations and exclusions are specifically prohibited by applicable law,

(1) THE CONSUMER'S SOLE AND EXCLUSIVE REMEDY SHALL BE THE REPAIR OR REPLACEMENT OF DEFECTIVE PRODUCTS AS DESCRIBED ABOVE.

(2) **SFA Companies, Inc.** SHALL NOT BE LIABLE FOR ANY CONSEQUENTIAL OR INCIDENTAL DAMAGE OR LOSS WHATSOEVER.

(3) ANY IMPLIED WARRANTIES, INCLUDING WITHOUT LIMITATION THE IMPLIED WARRANTIES OF MERCHANTABILITY AND FITNESS FOR A PARTICULAR PURPOSE, SHALL BE LIMITED TO ONE YEAR, OTHERWISE THE REPAIR, REPLACEMENT OR REFUND AS PROVIDED UNDER THIS EXPRESS LIMITED WARRANTY IS THE EXCLUSIVE REMEDY OF THE CONSUMER, AND IS PROVIDED IN LIEU OF ALL OTHER WARRANTIES, EXPRESS OR IMPLIED.

(4) ANY MODIFICATION, ALTERATION, ABUSE, UNAUTHORIZED SERVICE OR ORNAMENTAL DESIGN VOIDS THIS WARRANTY AND IS NOT COVERED BY THIS WARRANTY.

Some states do not allow limitations on how long an implied warranty lasts, so the above limitation may not apply to you. Some states do not allow the exclusion or limitation of incidental or consequential damages, so the above limitation or exclusion may not apply to you. This warranty gives you specific legal rights, and you may also have other rights, which vary from state to state.

