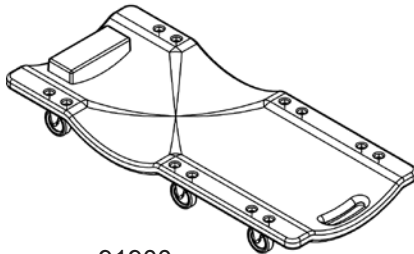


# OMEGALIFT™ EQUIPMENT

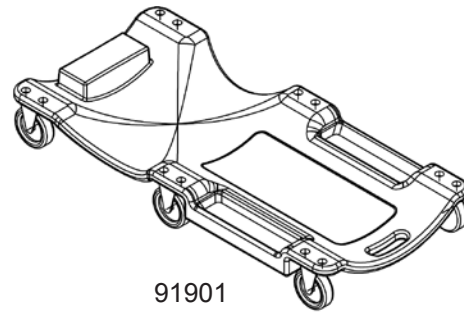
## Plastic Creeper

**Model**  
91900  
91901  
91902

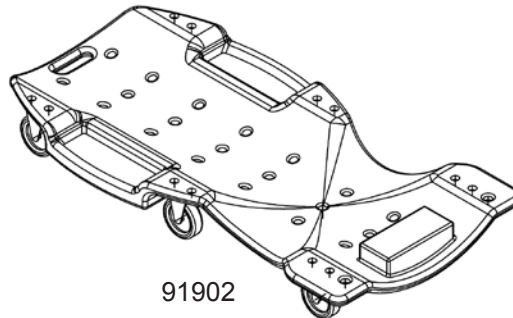
**Capacity**  
300 lbs  
350 lbs  
440 lbs



91900



91901



91902



This is the safety alert symbol. It is used to alert you to potential personal injury hazards. Obey all safety messages that follow this symbol to avoid possible injury or death.

### **⚠️WARNING**

- Read, understand and follow the instructions before using the product.
- The operating manual and safety information should be communicated in the native language of the operator before use.
- Failure to do so may cause personal injury and or property damage.

**Read this manual and follow all the Safety Rules and Operating Instructions before using this product.**

## SAFETY AND GENERAL INFORMATION

For your safety, **read, understand, and follow** the information provided with and on this folding creeper. The owner and operator shall have an understanding of this product and safe operating procedures before attempting to use. The owner and operator shall be aware that use of this product may require special skills and knowledge. Instructions and safety information shall be conveyed in the operator's native language before use of this product is authorized. Make certain that the operator thoroughly understands the inherent dangers associated with the use and misuse of the product. If any doubt exists as to the safe and proper use of this product, remove from service immediately.

**Inspect before each use.** Do not use if there are broken, bent, cracked or damaged parts (including labels). Any creeper that appears damaged in any way, or operates abnormally shall be removed from service immediately. If the creeper has been subjected to a shock load (a load dropped suddenly, unexpectedly upon it), immediately discontinue use until it has been inspected by an Omega authorized service center. It is recommended that an annual inspection be done by qualified personnel. Labels and Operator's Manuals are available from manufacturer.

## PRODUCT DESCRIPTION

These devices are designed to be used as a mechanics seat or used as a mechanics creeper. It is intended to be used to support and move, along a smooth and level surface capable of supporting rated capacity loads consisting of a single person weighing no more than **\*300-440 lbs.** for the purpose of performing automotive maintenance or service. This device is not intended, designed or engineered to be used for any other purpose.

Rated Capacity: One (1) person weighing **\*300-440 lbs. or less-** \* includes person, tools, equipment, personal items

## SPECIFICATIONS

Model	Rated Capacity	Seat Size	Creeper Size
91900	300 lbs	36" x 16"	36"
91901	350 lbs	40" x 19"	40"
91902	440 lbs	48" x 23 1/2"	48"



**Do not use this device for any purpose other than that for which it is expressly intended.**

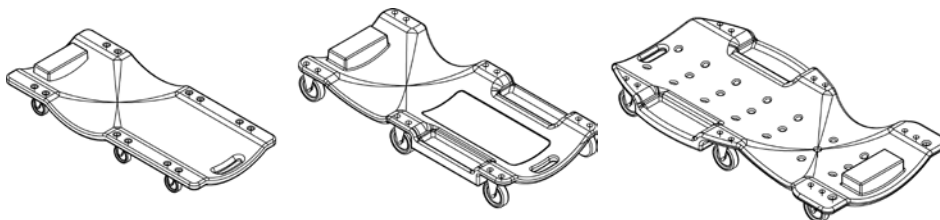


Figure 1 - Creeper Components

## ⚠ WARNING

**To avoid personal injury and property damage:**

- Read, understand, and follow all printed materials provided with and on this product before use.
- Do not exceed rated capacity! Rated capacity is 300-440 lbs. (includes user, tools, equipment and personal items).
- Sit down gently! Avoid shock loads caused by jumping or falling onto seat.
- Do not stand on product.
- Keep out of the reach of children! This device is not appropriate for children's use.
- Use only on hard, level surface capable of supporting the load.

## PREPARATION

Before assembling your Creeper, make sure all parts are present. If any part is missing or damaged, do not attempt to assemble or use the product. Contact Omega Lift customer service for replacement parts.

Part	Description	Qty
1	Base	1
2	Swivel Caster	6
3	Carriage Bolt	12
4	Bushing	12
5	Washer	12
6	Lock Nut	12

## ASSEMBLY INSTRUCTIONS

- Working from the underside of the Base, align a Swivel Caster with one of the six pairs of holes on the Base.
- Place a bushing in each hole, then insert two Carriage Bolts through the Caster, the Bushing and the Base from underneath.
- Secure in place with the Washers and Lock Nuts.
- Repeat for each of the other Swivel Casters.
- Check that all the Lock Nuts are securely tightened.

## REPLACEMENT PARTS

Not all components of the creepers are replacement items, but are illustrated as a convenient reference of location and position in the assembly sequence. When ordering parts, give model number, part number and description below.

## OPERATING INSTRUCTIONS

- Position the Plastic Creeper on the ground near the area of intended work.
- Sit slowly on the end of the creeper, avoid shock loading the product.
- Lay back and rest your head on the provided headrest.
- Using your feet position yourself in order to perform intended work.

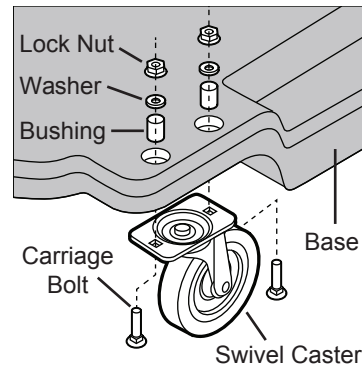


Figure 2 - General assembly of a single caster

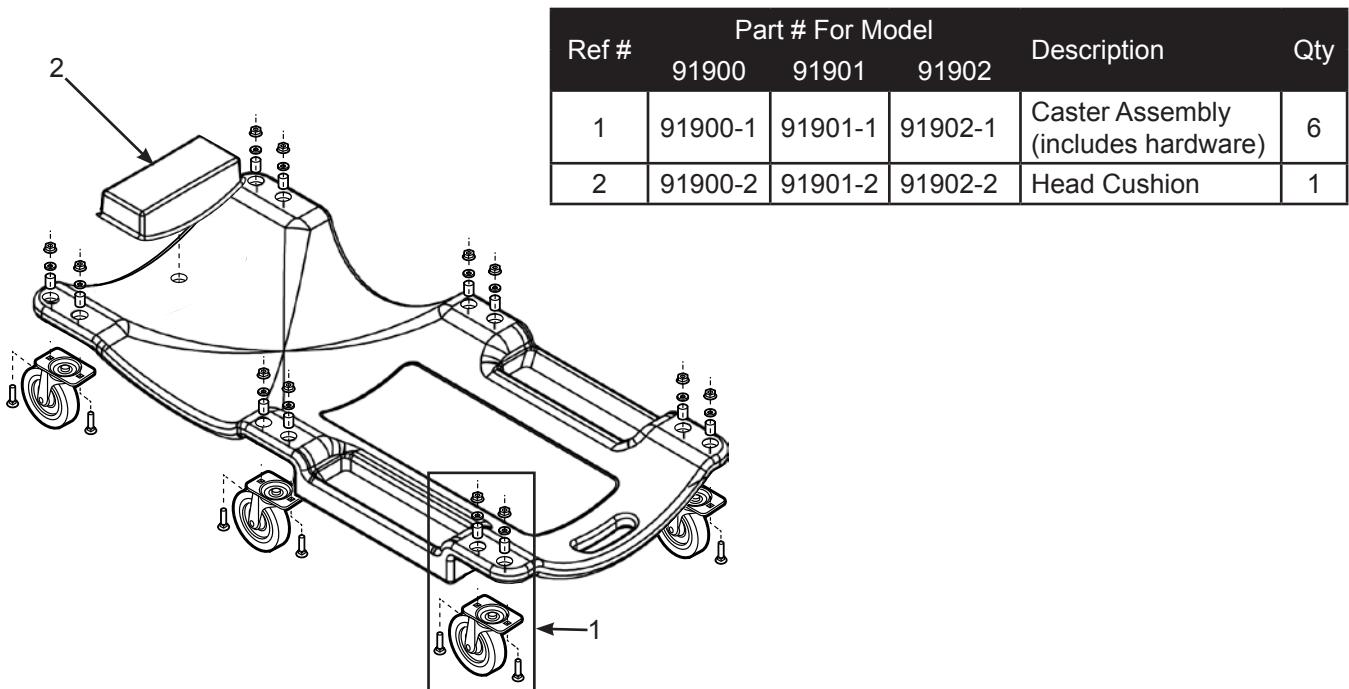


Figure 3 - Creeper Replacement Parts (91901 Shown)