

OMEGALIFT™ EQUIPMENT

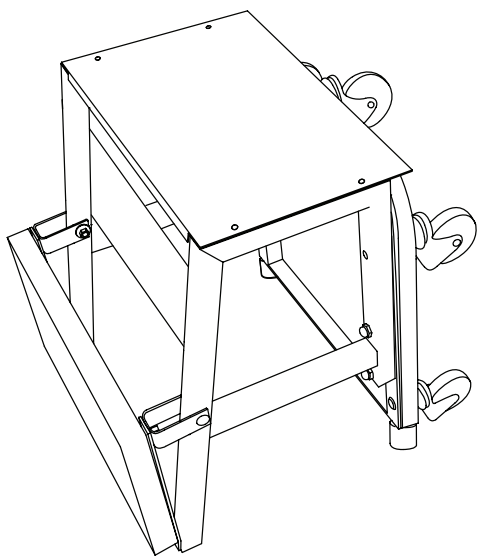
Seat Stool Combo

Model

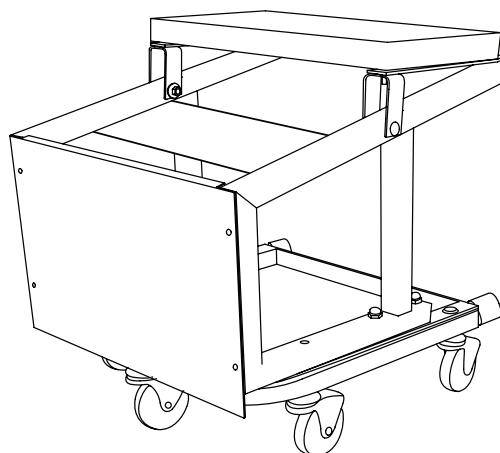
91305

Capacity

**350 lbs. (Seat)
400 lbs. (Stool)**



Step Stool



Creeper Seat



This is the safety alert symbol. It is used to alert you to potential personal injury hazards. Obey all safety messages that follow this symbol to avoid possible injury or death.

!WARNING

- Read, understand and follow the instructions before using the product.
- The operating manual and safety information should be communicated in the native language of the operator before use.
- Failure to do so may cause personal injury and or property damage.

SFA Companies

Read this manual and follow all the Safety Rules and Operating Instructions before using this product.

SAFETY AND GENERAL INFORMATION

For your safety, **read, understand, and follow** the information provided with and on this folding creeper. The owner and operator shall have an understanding of this product and safe operating procedures before attempting to use. The owner and operator shall be aware that use of this product may require special skills and knowledge. Instructions and safety information shall be conveyed in the operator's native language before use of this product is authorized. Make certain that the operator thoroughly understands the inherent dangers associated with the use and misuse of the product. If any doubt exists as to the safe and proper use of this product, remove from service immediately.

Inspect before each use. Do not use if there are broken, bent, cracked or damaged parts (including labels). Any folding creeper that appears damaged in any way, or operates abnormally shall be removed from service immediately. If the folding creeper has been subjected to a shock load (a load dropped suddenly, unexpectedly upon it), immediately discontinue use until it has been inspected by an Omega authorized service center. It is recommended that an annual inspection be done by qualified personnel. Labels and Operator's Manuals are available from manufacturer.

PRODUCT DESCRIPTION

This device is a 2-in-1 creeper seat and step stool. When used as a creeper seat, it will support and move rated capacity loads consisting of a single person weighing no more than 350 lbs. In the step stool position, this device will support a 400 lbs.. rated capacity load. This device is not intended, designed or engineered to be used for any other purpose.

Rated Capacity: One (1) person weighing ***300 lbs. or less-** * includes person, tools, equipment, personal items

SPECIFICATIONS

Model	Rated Capacity	Seat Size	Step Size
91305	350 lbs. (Seat) 400 lbs. (Stool)	14" x 9-1/2"	14" x 9"



WARNING: Do not use this device for any purpose other than that for which it is expressly intended.

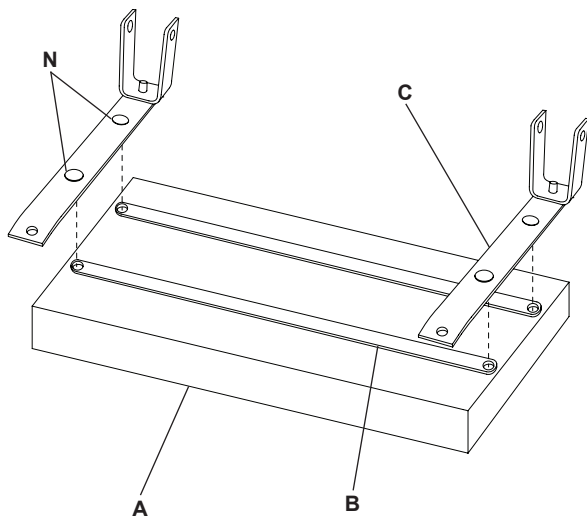


Figure 1 - Seat Cushion Assy.

PREPARATION/ASSEMBLY

Before assembling your creeper/step stool, make sure all parts are present. If any part is missing or damaged, do not attempt to assemble or use the product. Contact customer service for replacement parts.

Item	Description	Qty
A	Seat Cushion	1
B	Cross bars	2
C	Seat Support bar w/ "U" Bracket	2
D	Side Frame	2
E	Tool Tray	1
F	Caster Frame	1
G	Creeper Step	1
H	Castor	5
I	Warning plate	1
J	M6 x 12 Hex Head Bolt	4
K	M8 x 60 Hex Head Bolt	4
L	M8 Washer	4
M	M8 Acorn Nut	4
N	M6 x 16 Phillips Head Screw	10
O	M6 x 40 Phillips Head Screw	2
P	M6 Washer	4
Q	M6 Lock Nut	4

1. With the Seat Cushion (A) facing down, align the holes of the Crossbars (B) with the seat. Then align the holes of the Seat Supports Bars (C) and attach with four M6 x 16 Phillips Head Screws. (N) (Fig. 1).

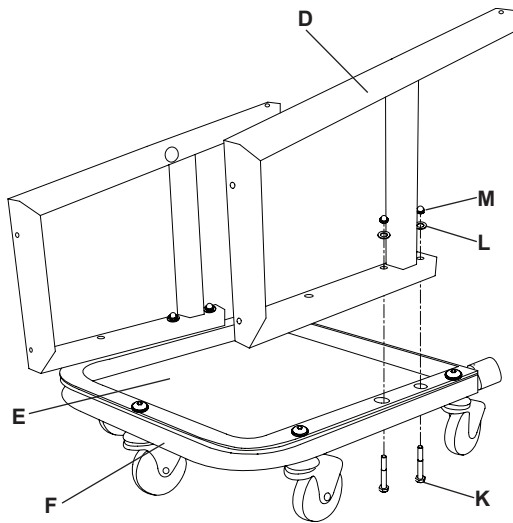


Figure 2 - Assembling tool tray and casters

2. Attach two creeper Side Frames (D) to Caster Frame (F) with two M8 x 60 Hex Head Bolts (K), two washers (L) and two acorn nuts (M) each (Fig 2).

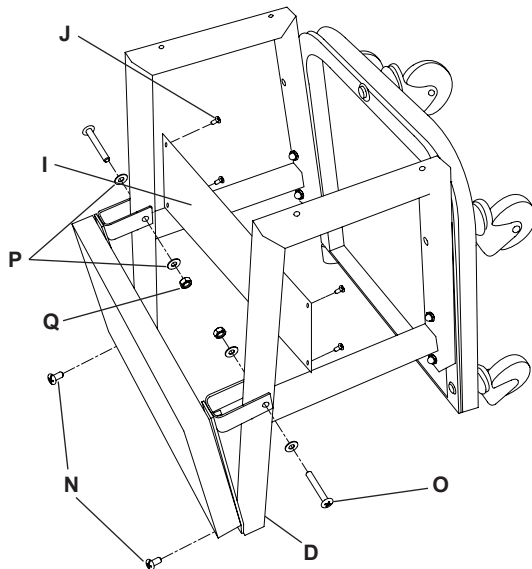


Figure 3 - Attaching Creeper Seat

3. Attach creeper Seat Cushion Assy. to creeper Side Frames (D) using two M6 x 40 Phillips Head Screws (O), with washers (P), and nuts (Q), and two M6 x 16 Phillips Head Screws (N). Then attach the Warning Plate (I) with four M6 x 12 Hex Head Bolts (N) (Fig. 3).

!WARNING

- Read, understand, and follow all instructions before using this device.
- Never use a creeper/step stool that is damaged.
- Clean any mud, grease, oil or slippery liquids before using creeper/step stool.
- Do not exceed rated capacity. Rated capacity is 350 lbs. as a seat, and 400 lbs. as a stool. (includes user, tools, and equipment).
- Sit down gently. Avoid shock loads caused by jumping or falling on seat.
- Do not stand on seat.
- When used as a step stool, device must be on firm, level surface with all four legs contacting ground.
- Make sure step stool is appropriate height for intended purpose. Do not overreach.
- Only one person shall use step stool at a time.
- Keep out of the reach of children. This device is not appropriate for children's use.
- Use on hard, level surfaces capable of supporting the load.

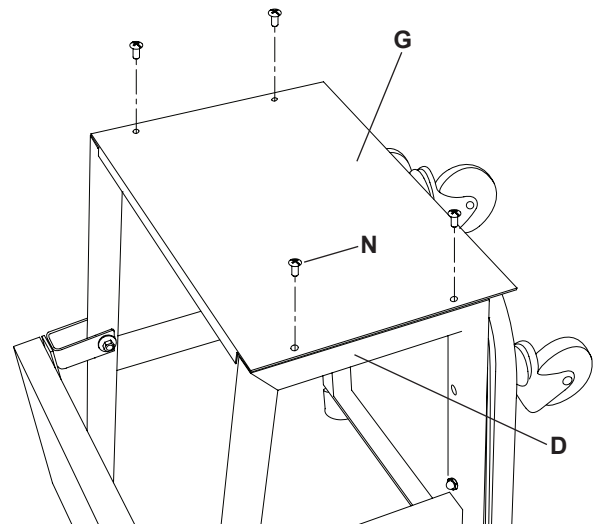


Figure 4 - Attaching Step to Side Frames

4. Fasten Creeper Step (G) to Side Frames (D) using four M6 x 16 Phillips Head Screws (N). Ensure that the Creeper Step (G) sit securely between the Side Frames (D) before tightening the screws (Fig. 4).

MAINTENANCE

Wipe clean as needed. Use mild upholstery cleaner (not caustic) to clean seat as needed.

CAUTION: *Do not lubricate casters*

REPLACEMENT PARTS

Available Parts: Please refer to the Parts drawing when ordering parts. Not all components of the creeper are replacement items, but are illustrated as a convenient reference of location and position in the assembly sequence. When ordering parts, give model number, part number and description.

Item	Part No.	Description	Qty
1	91305-1	Caster Assy	5
2	91305-2	Seat Cushion	1
3	91305-3	Hardware Kit	1

ONE YEAR LIMITED WARRANTY

For a period of one (1) year from date of purchase, **SFA Companies** will repair or replace, at its option, without charge, any of its products, which fails due to a defect in material or workmanship under normal usage. This limited warranty is a consumer's exclusive remedy.

Except where such limitations and exclusions are specifically prohibited by applicable law, (1) THE CONSUMER'S SOLE AND EXCLUSIVE REMEDY SHALL BE THE REPAIR OR REPLACEMENT OF DEFECTIVE PRODUCTS AS DESCRIBED ABOVE. (2) **SFA Companies** SHALL NOT BE LIABLE FOR ANY CONSEQUENTIAL OR INCIDENTAL DAMAGE OR LOSS WHATSOEVER. (3) ANY IMPLIED WARRANTIES, INCLUDING WITHOUT LIMITATION THE IMPLIED WARRANTIES OF MERCHANTABILITY AND FITNESS FOR A PARTICULAR PURPOSE, SHALL BE LIMITED TO ONE YEAR, OTHERWISE THE REPAIR, REPLACEMENT OR REFUND AS PROVIDED UNDER THIS EXPRESS LIMITED WARRANTY IS THE EXCLUSIVE REMEDY OF THE CONSUMER, AND IS PROVIDED IN LIEU OF ALL OTHER WARRANTIES, EXPRESS OR IMPLIED. (4) ANY MODIFICATION, ALTERATION, ABUSE, UNAUTHORIZED SERVICE OR ORNAMENTAL DESIGN VOIDS THIS WARRANTY AND IS NOT COVERED BY THIS WARRANTY.

Some states do not allow limitations on how long an implied warranty lasts, so the above limitation may not apply to you. Some states do not allow the exclusion or limitation of incidental or consequential damages, so the above limitation or exclusion may not apply to you. This warranty gives you specific legal rights, and you may also have other rights, which vary from state to state.

OMEGALIFT™
EQUIPMENT