



Kit Contents		
Description	Part No	Pcs
Cable ties 3,5x190		8
Cable ties 4,8x290		16
Adhesive pads		4
Holder		4
Cancellation kit		4

Note!

Please note that this image is a general representation of the product and may differ slightly from your product.

Cancellation kit, VAG PQ35 2003-2012

35020-14

Mounting Instructions

MOUNTING INSTRUCTIONS

⚠ Warning!

It is advisable to have an Öhlins dealer install the cancellation kit.

⚠ Warning!

If working on a raised vehicle, ensure it is securely supported.

Front axle, right vehicle side:

1

Fix the holder on the damper with cable ties 4,8 mm x 290 mm.

Mount the holder facing to the front of the vehicle as shown on the picture.

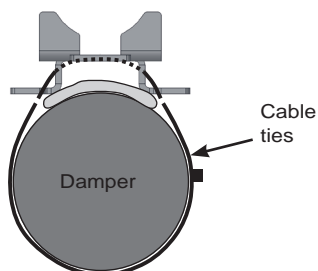


2

Fix the tape on the installed holder.

👁 Note!

Adherend must be cleaned and degreased.



MOUNTING INSTRUCTIONS

⚠ Warning!

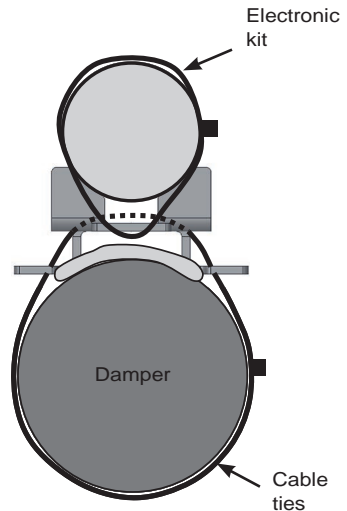
Make sure that the damper pipe has enough clearance on the complete spring travel.

3

Fix the supplied electronic component with cable ties 4,8 mm x 290 mm.
Run the standard damper control wire to the supplied electronic component connector.
Insert the standard connector into the electronic component connector until it locks.

4

Run the standard damper control wire around the coil over strut and fix it with the small cable ties.



MOUNTING INSTRUCTIONS

Rear axle, left vehicle side:

5

Fix the holder on the damper with cable ties
4,8 mm x 290 mm.
Mount the holder slandwise facing outside to
the rear of the vehicle as shown on the picture.

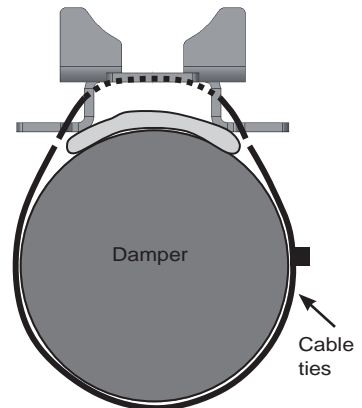
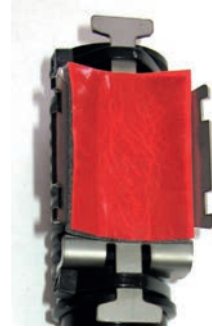


6

Fix the tape on the installed holder.

Note!

Adherend must be cleaned and degreased.



MOUNTING INSTRUCTIONS

⚠ Warning!

Make sure that the damper pipe has enough clearance on the complete spring travel.

7

Run the standard damper control and fix it with the small cable ties.

8

Fix the supplied electronic component with cable ties 4,8 mm x 290 mm.

Run the standard damper control wire to the supplied electronic component connector. Insert the standard connector into the electronic component connector until it locks.

