

Please read and save these instructions. Read through this owner's manual carefully before using product. Protect yourself and others by observing all safety information, warnings, and cautions. Failure to comply with instructions could result in personal injury and/or damage to product or property. Please retain instructions for future reference.



ENGINE LEVELER

UNPACKING

After unpacking unit, inspect carefully for any damage that may have occurred during transit. Check for loose, missing, or damaged parts. If any damage is observed, a shipping damage claim must be filed with carrier. Do not use Engine Leveler if broken, bent, cracked or damaged parts (including labels) are noted. Any Engine Leveler that appears damaged in any way, operates abnormally or is missing parts should be removed from service immediately. If you suspect that the Engine Leveler was subjected to a shock load (a load that was dropped suddenly, unexpectedly, etc.) immediately discontinue use until it has been checked by a factory authorized service center.



⚠ WARNING

The following safety information is provided as guidelines to help you operate your Engine Leveler under the safest possible conditions. Any tool or piece of equipment can be potentially dangerous to use when safety or safe handling instructions are not known or not followed. The following safety instructions are to provide the user with the information necessary for safe use and operation. Please read and retain these instructions for the continued safe use of your service system. Failure to follow instructions listed below may result in serious injury. In addition, make certain that anyone that uses the equipment understands and follows these safety instructions as well.

Explanation of Safety Signal Words

⚠ WARNING : Indicates a potentially hazardous situation which, if not avoided, could result in death or serious injury.

⚠ CAUTION : Indicates a potentially hazardous situation which, if not avoided, may result in minor or moderate injury.

CAUTION : Used without the safety alert symbol indicates a potentially hazardous situation which, if not avoided, may result in property damage.

Notes : Provide clarity and helpful information.



ENGINE LEVELER

Thank you very much for choosing an OEMTOOLS Product!

For future reference, please complete the owner's record below:

Model: _____ **Purchase Date:** _____

Save the receipt, warranty and these instructions. It is important that you read the entire manual to become familiar with this product before you begin using it. This machine is designed for certain applications only. OEMTOOLS cannot be responsible for issues arising from modification. We strongly recommend this machine is not modified and/or used for any application other than that for which it was designed. If you have any questions relative to a particular application, DO NOT use the machine until you have first contacted OEMTOOLS to determine if it can or should be performed on the product.



IMPORTANT INSTRUCTIONS AND SAFETY RULES

1. Know your tool. Read this manual carefully. Learn the tool's applications and limitations, as well as, potential hazards specific to it.
2. Keep work area clean and well lit. Cluttered or dark work areas invite accidents.
3. Keep children away. All children should be kept away from the work area. Never let a child handle a tool without strict adult supervision.
4. Do not operate this tool if under the influence of alcohol or drugs. Read warning labels on prescriptions to determine if your judgment or reflexes are impaired while taking drugs. If there is any doubt, do not attempt to operate.
5. Use safety equipment. Eye protection should be worn at all times when operating this tool. Use ANSI approved safety glasses. Everyday eyeglasses are NOT safety glasses. Dust mask, non-skid safety shoes, hard hat or hearing protection should be used in appropriate conditions.
6. Wear proper apparel. Loose clothing, gloves, neckties, rings, bracelets or other jewelry may present a potential hazard when operating this tool. Keep all apparel clear of the tool.
7. Don't overreach. Keep proper footing and balance at all times when operating this tool.
8. Check for damage. Check your tool regularly. If part of the tool is damaged it should be carefully inspected to make sure that it can perform its intended function correctly. If in doubt, the part should be repaired. Refer all servicing to a qualified technician. Consult your dealer for advice.
9. Keep away from flammables. Do not attempt to operate this tool near flammable materials or combustibles. Failure to comply may cause serious injury or death.
10. Store idle tools out of the reach of children and untrained persons. Tools may be dangerous in the hands of untrained users.
 - Maintain tools with care.
 - Keep tools dry and clean.
 - Properly maintained tools are less likely to bind and are easier to control. Do not use a damaged tool. Tag damaged tools "Do not use" until repaired.
 - Check for misalignment or binding of moving parts, breakage of parts, and any other condition that may affect the tool's operation.
 - If damaged, have the tool serviced before using. Many accidents are caused by poorly maintained tools.
 - Use only accessories that are recommended by the manufacturer for your model. Accessories that may be suitable for one tool may become hazardous when used on another tool.
 - Tool service must be performed only by qualified repair personnel. Service or maintenance performed by unqualified personnel could result in a risk of injury.
 - When servicing a tool, use only identical replacement parts. Use of unauthorized parts or failure to follow maintenance instructions may create a risk of injury.
 - Maintain a safe working environment. Keep the work area well lit. Make sure there is adequate surrounding workspace. Keep the work area free of obstructions, grease, oil, trash, and other debris. Do not use this product in a damp or wet location.
 - Maintain labels and nameplates on this product. These carry important information. If unreadable or missing, contact OEMTOOLS for a replacement.



ENGINE LEVELER

- Keep the handle dry, clean, and free from brake fluid, oil, and grease.
- Before use, read and understand all warnings, safety precautions and instructions as outlined in the vehicle manufacturer's service manual. It is beyond the scope of this manual to properly describe the correct procedure and test data for each vehicle.
- Always perform vehicle service in a properly ventilated area. Never run an engine without proper ventilation for its exhaust. Stop work and take necessary steps to improve ventilation in the work area if you develop momentary eye, nose, or throat irritation as this indicates inadequate ventilation.
- Engine parts that are in motion and unexpected movement of a vehicle can injure or kill. When working near moving engine parts, wear snug fit clothing and keep hands and fingers away from moving parts. Keep hoses and tools clear of moving parts. Always stay clear of moving engine parts. Hoses and tools can be thrown through the air if not kept clear of moving engine parts. The unexpected movement of a vehicle can injure or kill. When working on vehicles always set the parking brake or block the wheels.
- Avoid accidental fire and/or explosion. Do not smoke near engine fuel and battery components.
- The warnings, precautions, and instructions discussed in this manual cannot cover all possible conditions and situations that may occur. The operator must understand that common sense and caution are factors which cannot be built into this product, but must be supplied by the operator.
- For safety purposes and the prevention of damage to expensive components it is advised that the user have an understanding of basic automotive repair and a working knowledge of automotive systems.
- We believe the information contained herein to be reliable. However, general technical information is given by us without charge and the user shall employ such information at his own discretion and risk. We assume no responsibility for results or damages incurred from the use of such information in whole or in part. Always refer to specific instructions and technical information supplied by vehicle manufacturer.
- The manufacturer declines any and all responsibility for damage to vehicles or components if said damage is the result of unskillful handling by the operator or of failure to observe the basic safety rules set forth in the instruction manual.
- This equipment is intended only for professional use by personnel trained in performing the service functions for which it has been designed.
- This equipment is designed for servicing a variety of vehicles in a safe, convenient manner. However, differences in vehicle makes and models may make it impossible to use this equipment as it is intended. Do not attempt to force the use of this equipment on an application for which it is not designed to perform.
- The procedures documented in this manual are to serve as guidelines for the use of this equipment.
- In addition to these guidelines, always follow the manufacturer's recommended procedures when servicing each unique vehicle.
- The use of this equipment is simple and straightforward if you follow the instructions. When operating this equipment, use common sense, and always stop to think before using the Engine Leveler or performing repairs or maintenance.

PRODUCT DESCRIPTION

The Engine Leveler is designed to be used as an aid in the removal and installation of automotive and light truck engines, transmissions and assemblies. This Engine Leveler is for use with a suitable shop crane or hoist. It is used to move the load to its balance point while being supported by a crane or hoist

Rated Capacity	1653 Lbs.
-----------------------	-----------




ENGINE LEVELER

WARNING

NEVER use for any purpose other than those uses outlined above!

1. Verify that the product and application are compatible.
2. Before using this product, read the operator's manual completely and familiarize yourself thoroughly with the product, its components and recognize the hazards associated with its use.
3. Wear appropriate safety gear, including heavy-duty work gloves and ANSI-approved safety goggles during use.
4. Do not exceed the weight capacity of the Engine Leveler, hoist or crane. Be aware of dynamic loading! Sudden load movement may briefly create excess load causing product failure. Exceeding the maximum capacity for this product is dangerous and can lead to serious injury or property damage.
5. Do not allow load to swing or drop suddenly while lowering, raising or moving.
6. Never use this device as a work/repair station. Transfer the load immediately to a suitable work station. Always evaluate your task before using this jack. Use as intended only. Do not use for lifting human weight. Keep clear of raised load.
7. Do not work underneath, on, or near a lifted load.
8. The Engine Leveler is not designed to lift or lower a vehicle.

 **If in doubt about the safety of your project, we advise you to have the work done by a professional familiar with applicable safety practices.**

OPERATION

1. Attach the Engine Leveler to a Crane or Hoist (sold separately).
2. Attach the load to the Chain Brackets.
3. Turn the Handle to move the load to the balance point so it is hanging evenly from the Engine Leveler.
4. Lower the load and detach Engine Leveler after use.

 **Do not support load for extended periods.**

 **TO PREVENT SERIOUS INJURY:
DO NOT USE A DAMAGED OR
MALFUNCTIONING ENGINE LEVELER!**

Use caution when troubleshooting the Engine Leveler. Stay well clear of the supported load. Completely resolve all problems before use. If the Engine Leveler is malfunctioning, have a qualified technician inspect and repair it before use. After the Engine Leveler is repaired, test it carefully without a load before putting it into service.

MAINTENANCE

Lubrication

A periodic coating of light lubricating oil to the Threaded Bar and Sliding Block will help to prevent rust and assure that the Engine Leveler performs properly.

Cleaning

Periodically check the Engine Leveler for rust or corrosion. Clean as needed and wipe with an oily cloth.

Storage

When not in use, store the jack with saddle fully lowered.

Always store the Engine Leveler in a well-protected area where it will not be exposed to inclement weather, corrosive vapors, abrasive dust, or any other harmful elements.



ENGINE LEVELER

PARTS LIST

The manufacturer and/or distributor have provided the parts list and assembly diagram in this manual as a reference tool only. Neither the manufacturer nor distributor makes any representation or warranty of any kind to the buyer that he or she is qualified to make any repairs to the product, or that he or she is qualified to replace any parts of the product. In fact, the manufacturer and/or distributor expressly states that all repairs and parts replacements should be undertaken by certified and licensed technicians, and not by the buyer. The buyer assumes all risk and liability arising out of his or her repairs to the original product or replacement parts thereto, or arising out of his or her installation of replacement parts thereto.

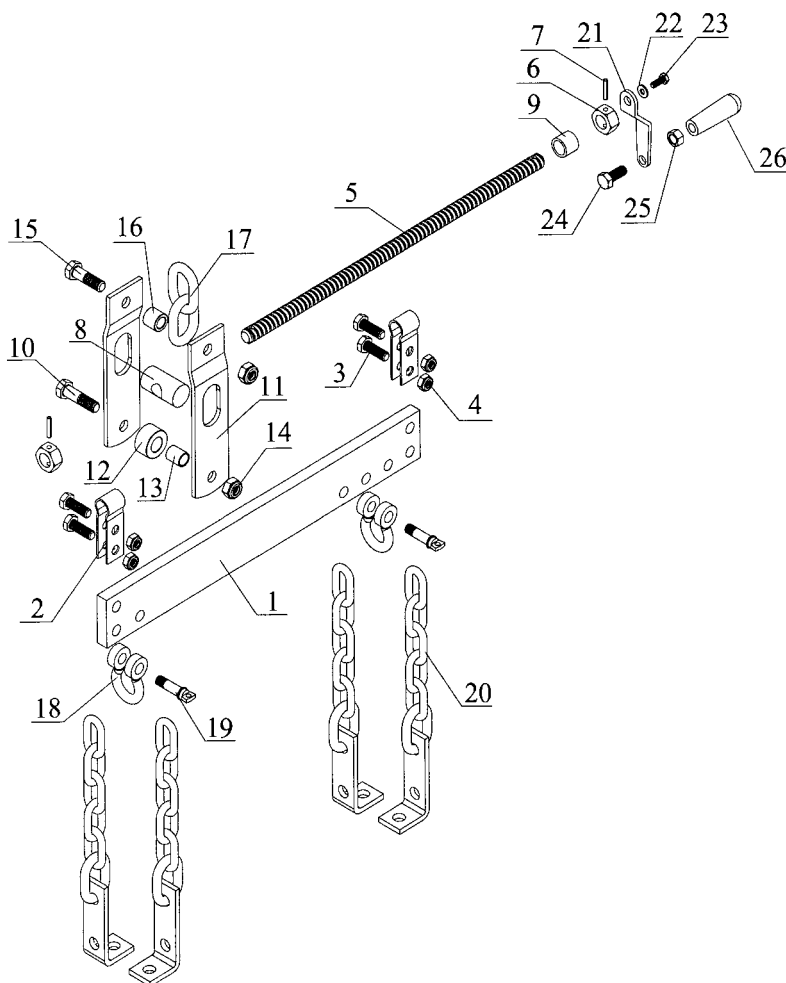


Figure	Description	Quantity
24831-1	Cross Bar	1
24831-2	Spring Hanger	2
24831-3	Bolt M10x30	4
24831-4	Nylon Nut M10	4
24831-5	Threaded Rod	1
24831-6	Nut	2
24831-7	Cotter Pin	2
24831-8	Adjustment Nut	1
24831-9	Spacer	1
24831-10	Bolt M12x45	1
24831-11	Hanging Plate	2
24831-12	Outer Sleeve	1
24831-13	Inner Sleeve	1
24831-14	Nylon Nut M12	2
24831-15	Bolt M12x40	1
24831-16	Spacer	1
24831-17	Chain	1
24831-18	Rigging	1
24831-19	Rigging	1
24831-20	Chain Assembly	4
24831-21	Handle Pole	1
24831-22	Flat Washers	1
24831-23	Bolt M6x16	1
24831-24	Bolt M10x25	1
24831-25	Hexagon Nut M10	1
24831-26	Handle	1