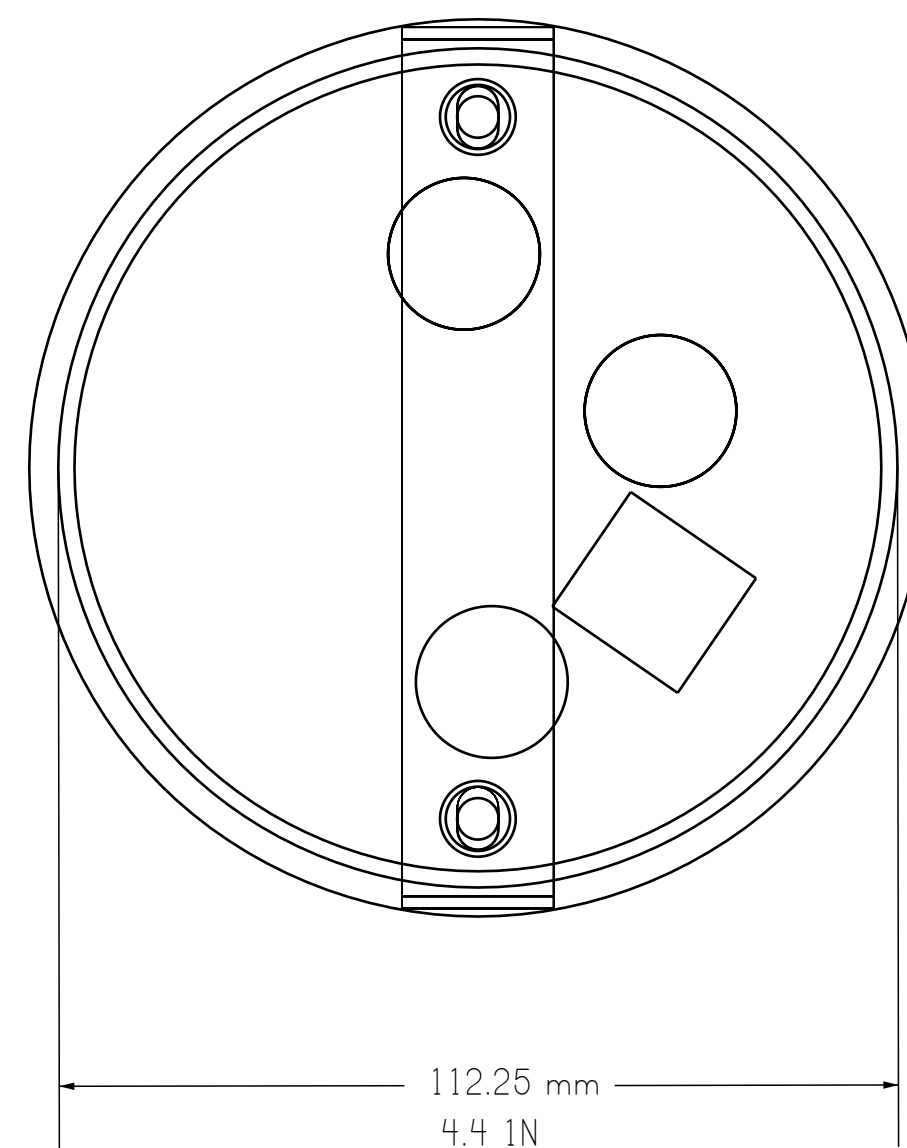
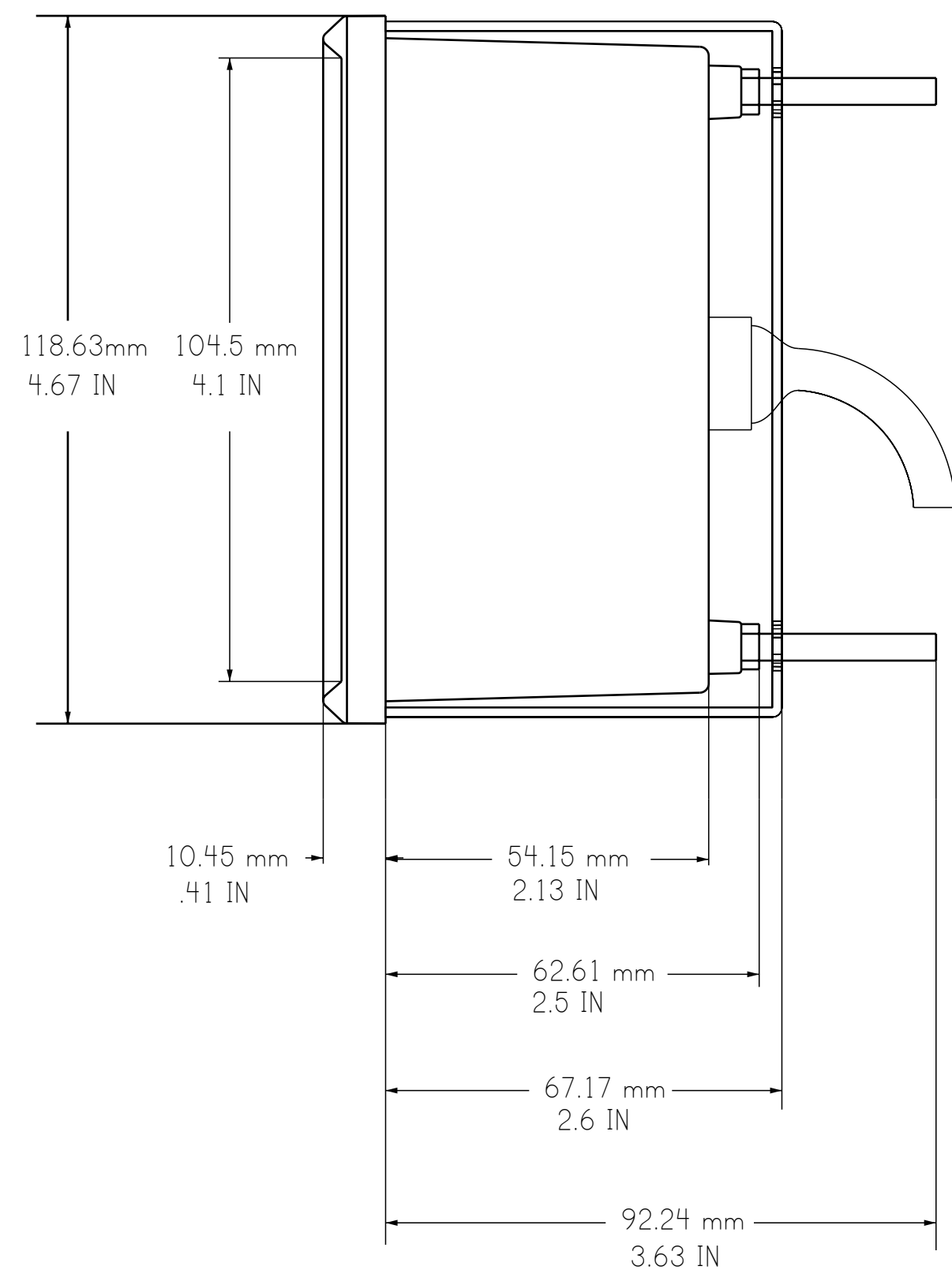
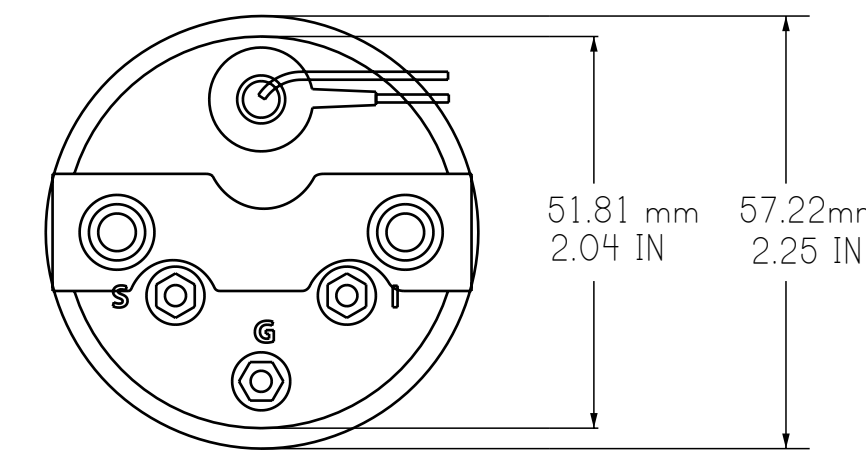
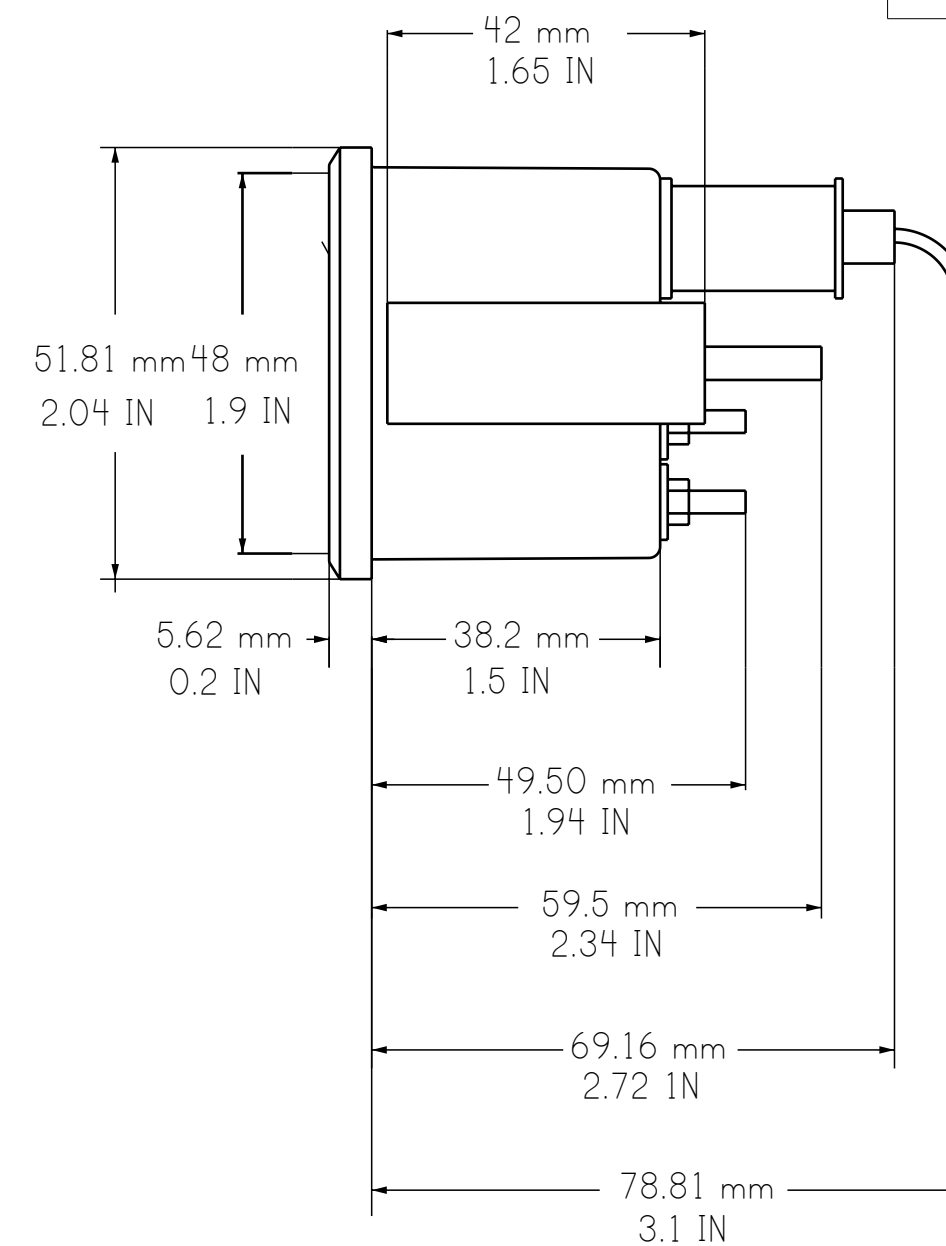


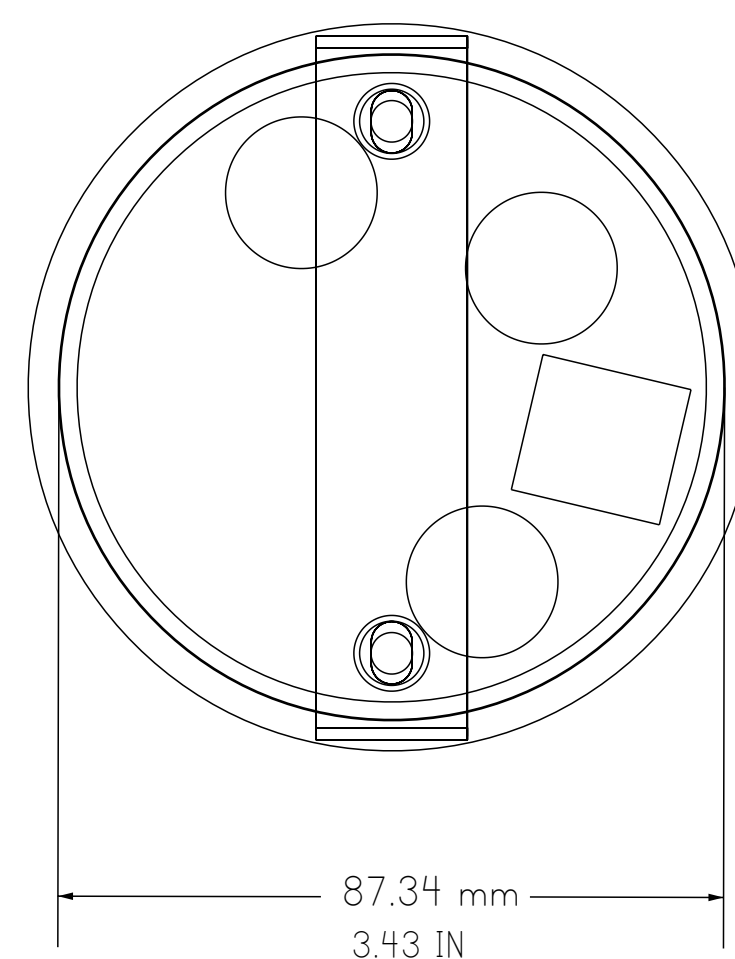
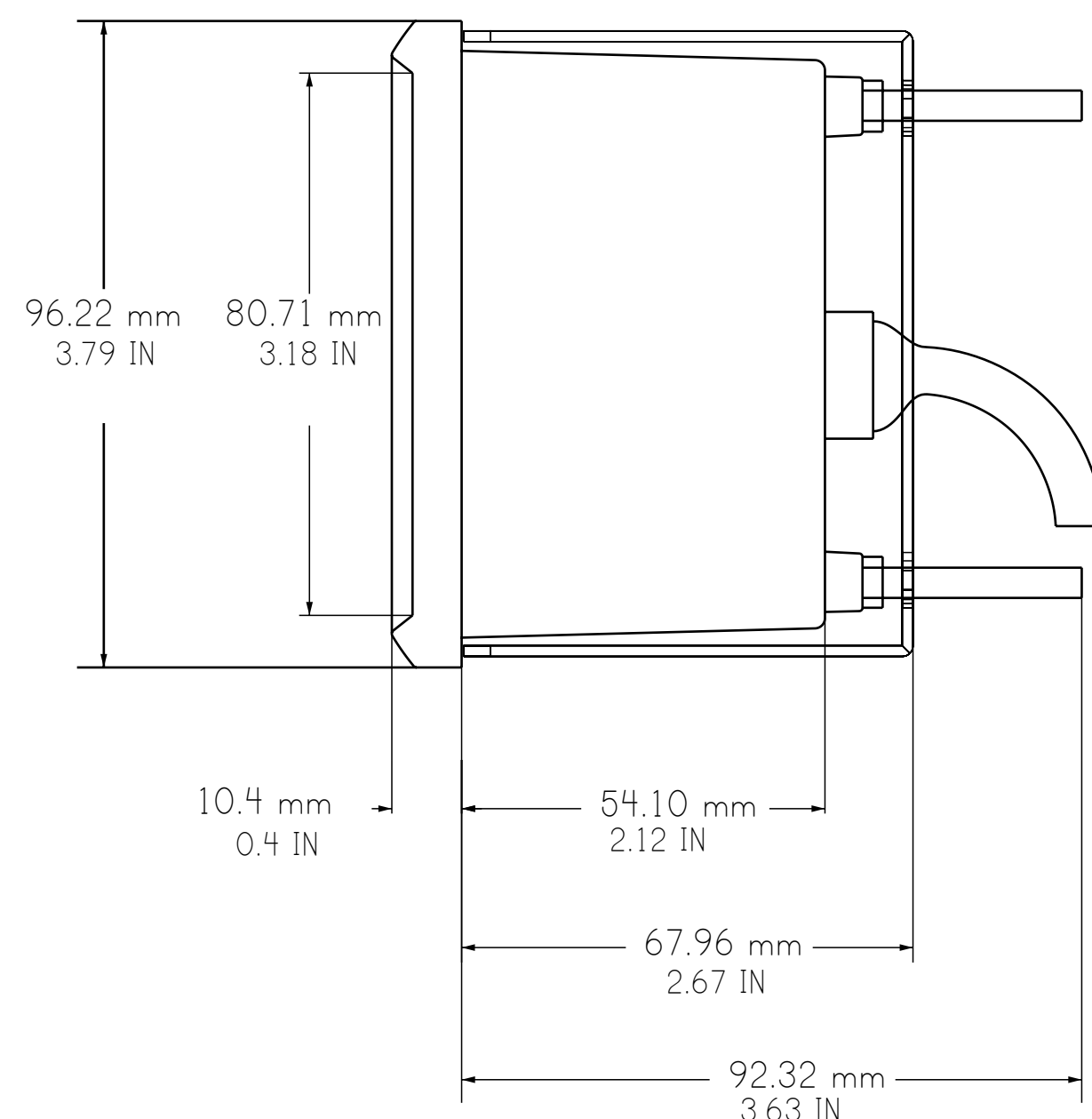
REV.	E.C.R.	DESCRIPTION	BY	DATE



4-3/8" GAUGES
 4-3/8" MOUNTING HOLE (TIGHT)
 LOOSE MOUNTING HOLE 4-7/16"
 4-11/16" O.D.
 3-5/8" DEEP



2" GAUGES
 (SHORT SWEEP)
 2-1/16" MOUNTING HOLE
 2-1/4" O.D.
 3-1/16" DEEP



3-3/8" GAUGES
 3-7/16" MOUNTING HOLE
 3-3/4" O.D.
 3-5/8" DEEP

NOTES:
 STAINLESS POLISHED OR FLAT BLACK ALUMINUM BEZELS AVAIL.
 DOMED OR FLAT GLASS AVAILABLE
 CASE MATERIAL: NYLON/POLYCARBONATE
 BACK CLAMP MATERIAL: ALUMINUM
 SEE INSTRUCTION BOOKLET FOR PIN-OUTS AND LIGHTING

ITEM	QTY.	SEE BOM			SEE ROUTER	
		MATERIAL	APP'D	CH'D	DR'N.	DESCRIPTION
THIS DRAWING IS THE PROPERTY		XX	XX	JC	TOLERANCE (UNLESS NOTED)	
THE INFORMATION CONTAINED IN THIS DRAWING IS CONFIDENTIAL.		PART NAME PHOENIX PLATFORM HARD OUTER DIMS			1 PLACE ±.010 IN. 2 PLACE ±.008 IN. 3 PLACE ±.002 IN.	
THIS DRAWING AND THE INFORMATION CONTAINED IN THIS DRAWING MAY NOT BE COPIED OR USED, IN WHOLE OR IN PART, WITHOUT THE PRIOR WRITTEN PERMISSION OF NEW VINTAGE. COPYRIGHT ALL RIGHTS RESERVED		FILE NAME PHOENIX-DIMS.PDF			ANGULAR: GEOMETRY ±0.5° AND CHAMFER/COUNTERSINK ±1°	
SCALE	DATE	HARDNESS	PAPER SIZE	REV.	SHEET NO.	
1:1 (100%)	03/22/2018	AS SUPPLIED	A	A	1 OF 1	

Looking for dependable gauges and dashboards? Rely on NVU for quality and long-lasting products.