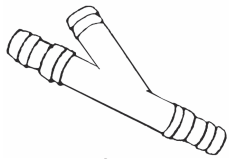


AUXILIARY HEATER AH24474/24 VOLT

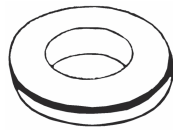
CONTENTS:

Heater • Mounting Brackets • Instruction Sheet • Installation Kit

INSTALLATION KIT INCLUDES:



(2) Y Splicers



(2) Rubber Grommets



(8) Hose Clamps



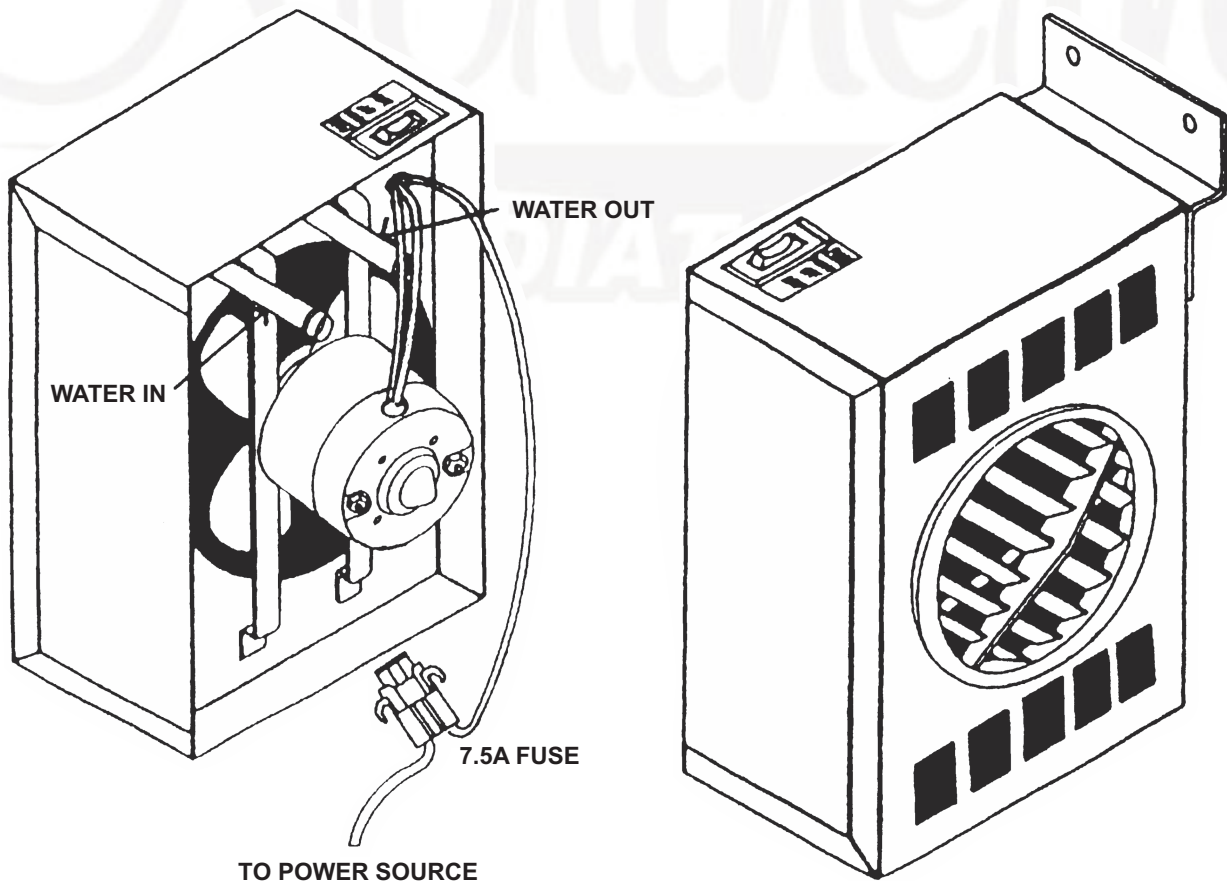
(4) Mounting Screws



(1) 7.5A Inline Fuse

INSTALLATION DIAGRAM:

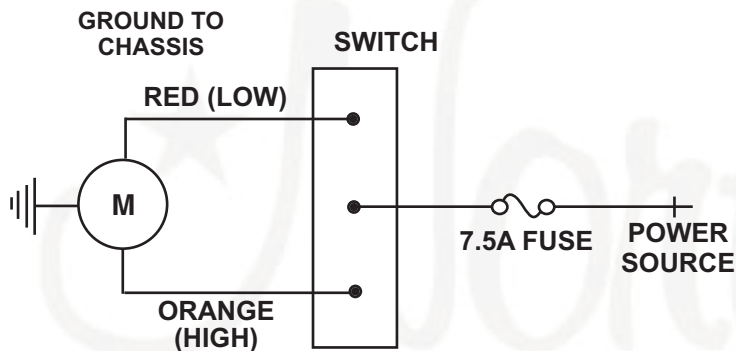
Materials required to install this heater are available in the kit shown above. In addition you will need 5/8" heater hose and 14 GA wire.



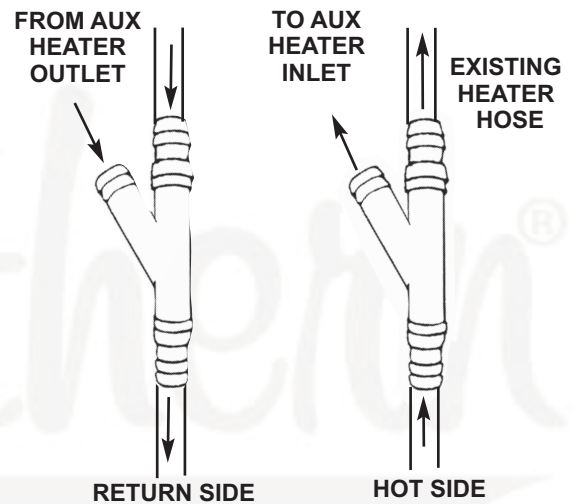
INSTALLATION INSTRUCTIONS:

1. This versatile heater may be mounted vertically. Typical locations include floor, wall or under dash.
2. Route the heater hose to the engine compartment, using grommets through the fire wall, cut the existing hose, add and clamp the Y splicer then run the new hose and clamp to the heater. Avoid any sharp bends which may kink the hose and restrict proper flow. Run Y splicer with the coolant flow. (See splicer diagram.)
3. Route power supply wire from fuse block to rocker switch, including the inline 7.5A amp fuse. And finally, ground the heater case to the chassis of the vehicle. We recommend all electrical connections are terminated or soldered and taped. (See the connection diagram below.)

WIRE CONNECTION DIAGRAM:



SPLICER DIAGRAM:



NOTE: The low speed terminal is located behind the high position due to internal switching.