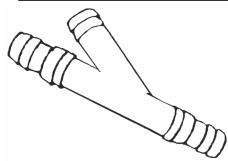


AUXILIARY HEATER AH24454/24 VOLT

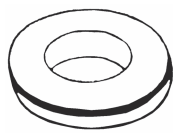
CONTENTS:

Heater • Mounting Brackets • Instruction Sheet • Installation Kit

INSTALLATION KIT INCLUDES:



(2) Y Splicers



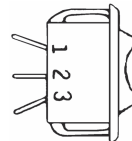
(2) Rubber Grommets



(8) Hose Clamps



(4) Mounting Screws



(1) Rocker Switch



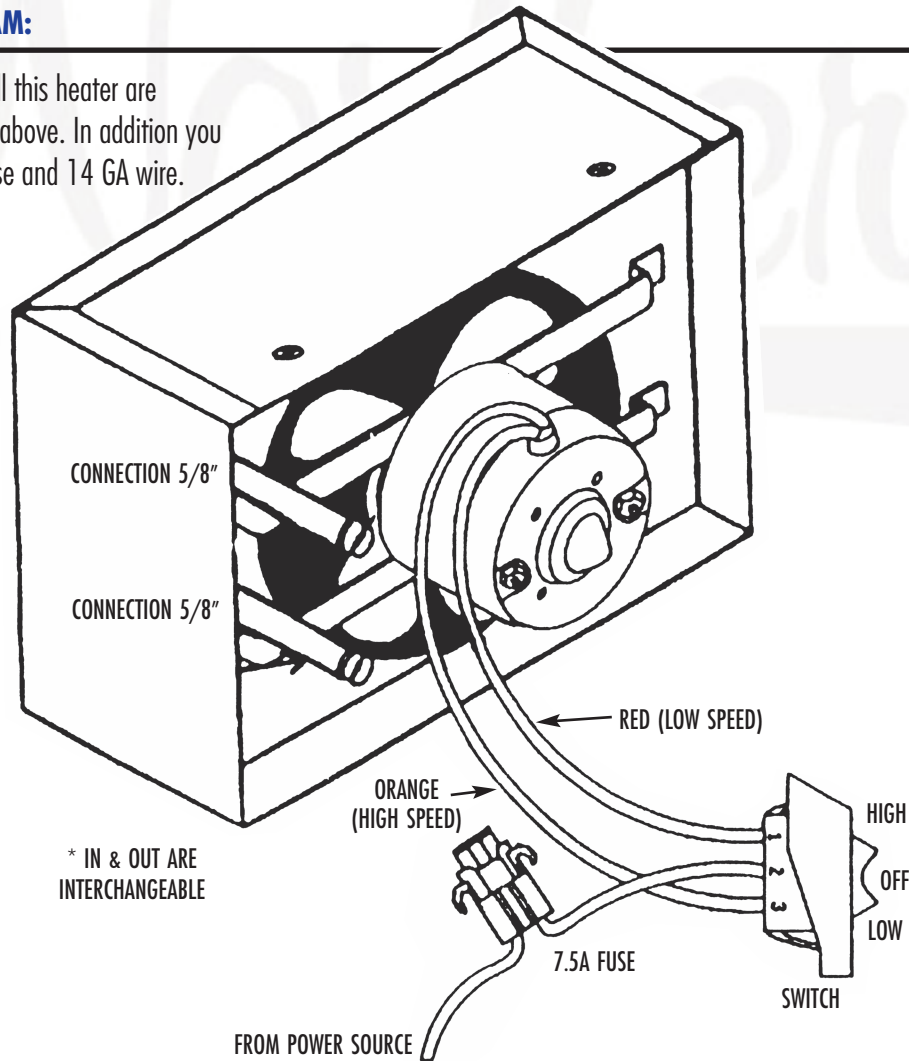
(1) Switch Panel



(1) 7.5A Inline Fuse

INSTALLATION DIAGRAM:

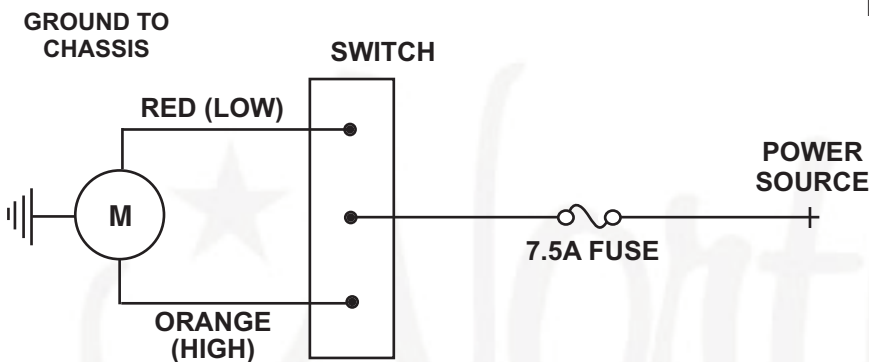
Materials required to install this heater are available in the kit shown above. In addition you will need 5/8" heater hose and 14 GA wire.



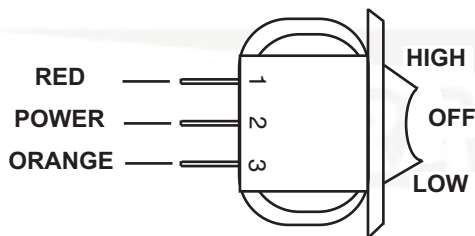
INSTALLATION INSTRUCTIONS:

1. This versatile heater may be mounted either horizontally or vertically. Typical locations include floor, wall or under dash.
2. Route the heater hose to the engine compartment, using grommets through the fire wall, cut the existing hose, add and clamp the Y splicer then run the new hose and clamp to the heater. Avoid any sharp bends which may kink the hose and restrict proper flow. Run Y splicer with the coolant flow. (See splicer diagram.)
3. Mount the switch panel in a convenient under dash location. Route power supply wire from fuse block to switch, including the inline 7.5A amp fuse. Connect the red and orange wires from the heater to the switch, extending them where necessary. And finally, ground the heater case to the chassis of the vehicle. (See the connection diagram below.)

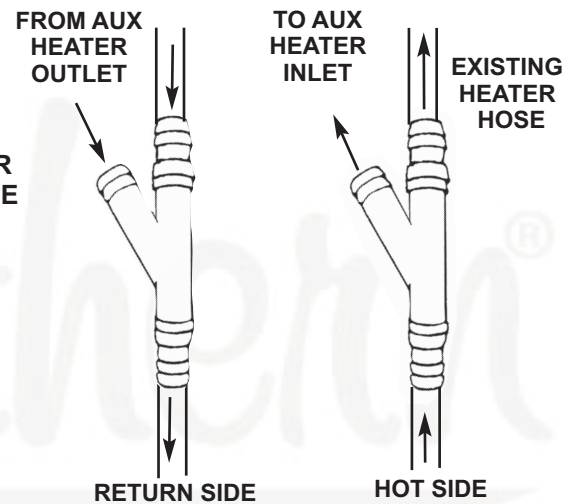
WIRE CONNECTION DIAGRAM:



SWITCH CONFIGURATION:



SPLICER DIAGRAM:



NOTE: The low speed terminal is located behind the high position due to internal switching.