



# PARTS LIST

## 322/323 SERIES

322

323

322BG

323BG

322JB

323JB

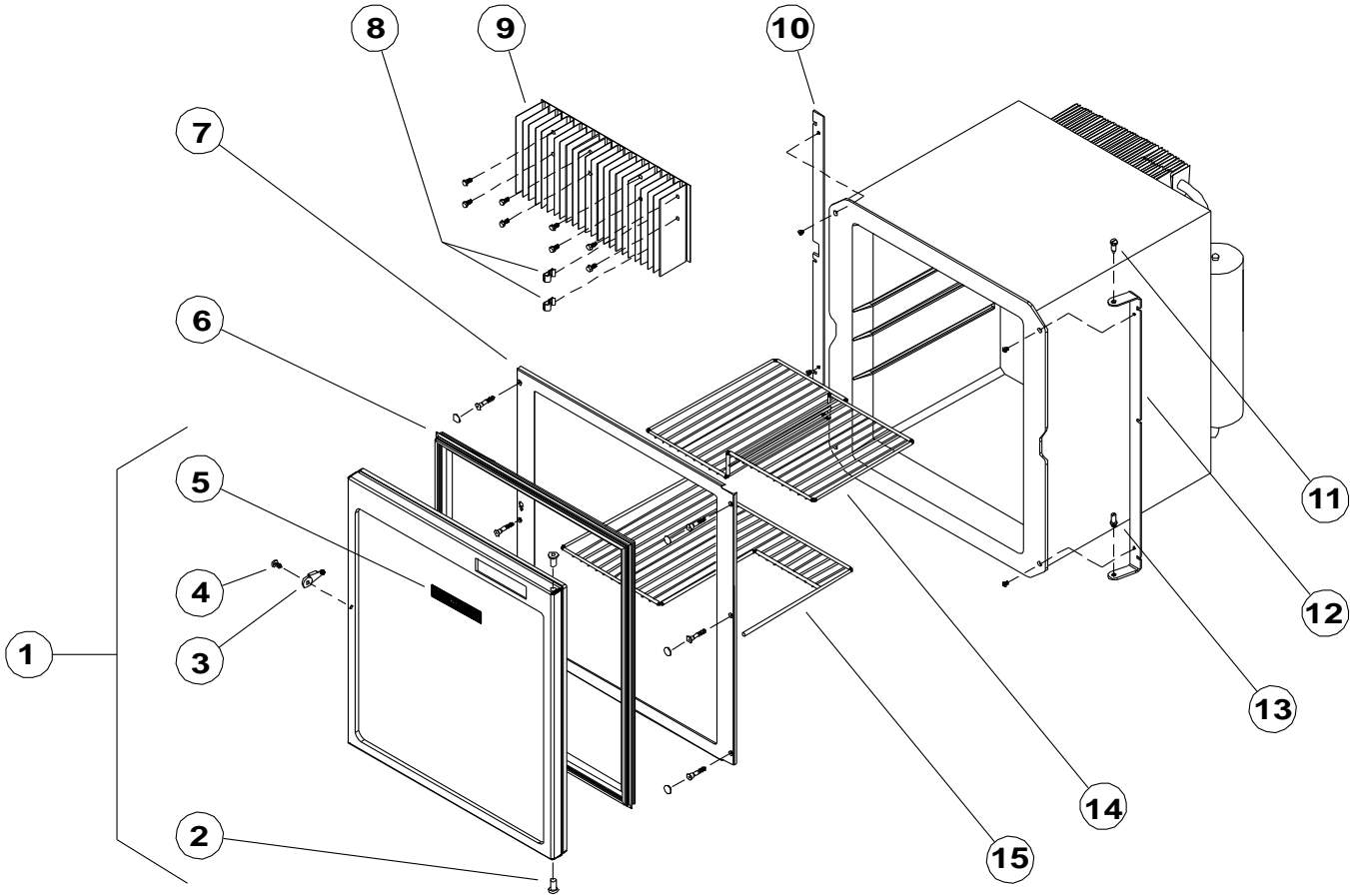
322T

323T

323BK

Part No. 619722  
NORCOLD 7/11/2017

# FRONT VIEW - 322/323 SERIES



Art01189

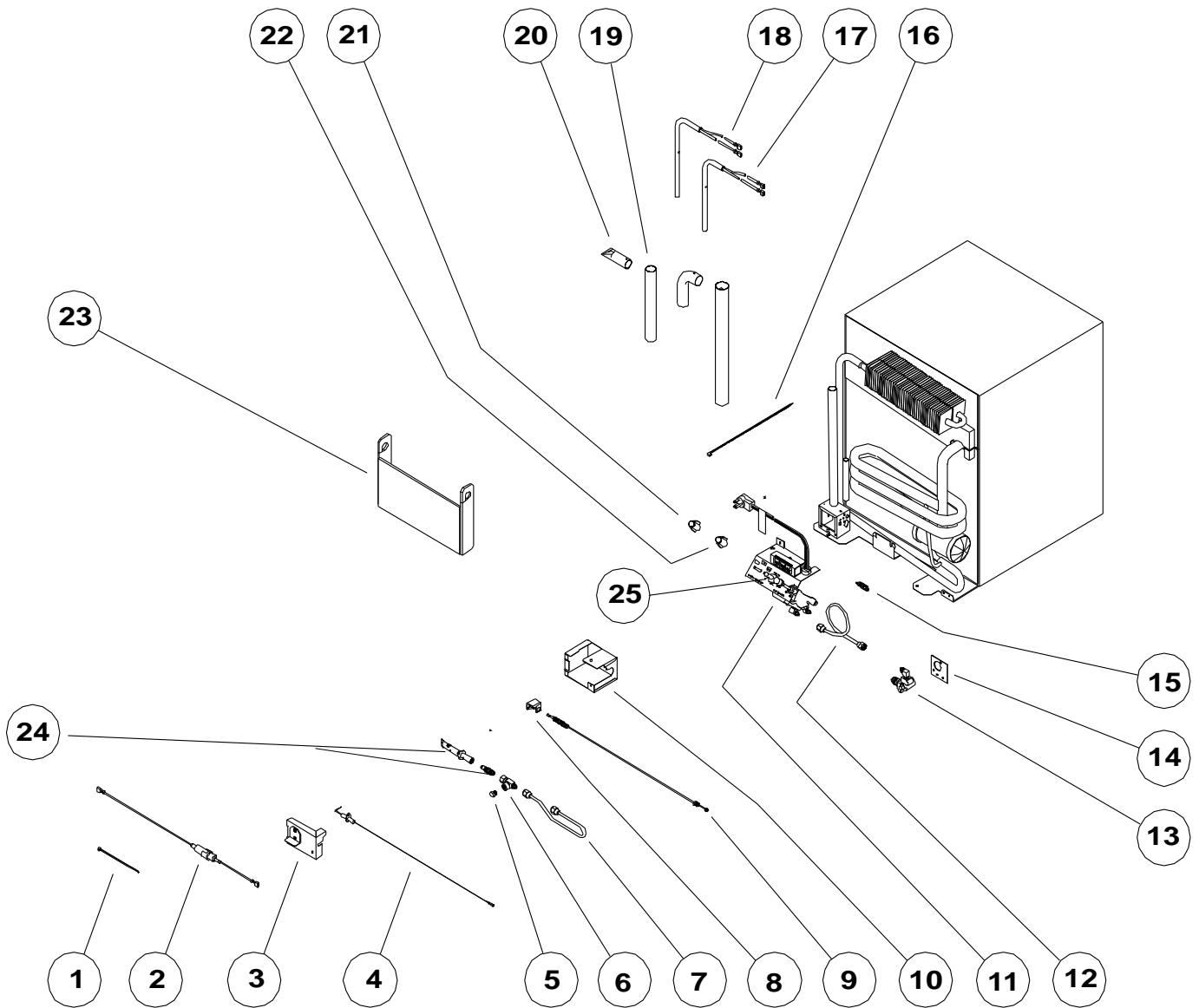
## FRONT VIEW - 322/323 SERIES

NO.	PART #	DESCRIPTION	322	323	322BG	323BG	322JB	323JB	322T	323T	323BK
1	61741838	DOOR ASSY-BLACK (USE 620618 OR 620619)	X	X							
	619324	DOOR ASSY-BG (USE 620618)			X						
	619339	DOOR ASSY-BG (USE 620619)				X					
	619325	DOOR ASSY-JB (USE 620618)					X				
	619340	DOOR ASSY-JB (USE 620619)						X			
	620618	DOOR ASSY-322T	X		X		X		X		
	620619	DOOR ASSY-323T		X		X		X		X	
	634196	DOOR ASSY-323BK									X
2	61742022	HINGE BUSHING	X	X	X	X	X	X	X	X	X
3	61719630	TRAVEL LATCH-BLACK (USE 619330)	X	X							
	619330	TRAVEL LATCH-NATURAL (USE 638709)	X	X	X	X	X	X	X	X	X
	638709	TRAVEL LATCH KIT	X	X	X	X	X	X	X	X	X
4	61747922	RIVET-PLASTIC/TRAVEL LATCH	X	X	X	X	X	X	X	X	X
5	61747722	NAMEPLATE-NORCOLD (USE 620622 OR 620623)	X	X							
	619331	NAMEPLATE-NORCOLD (USE 620622)			X		X				
	619334	NAMEPLATE-NORCOLD (USE 620623)				X		X			
	620622	NAMEPLATE-BLUE/EG2	X		X		X		X		
	620623	NAMEPLATE-BLUE/EG3		X		X		X		X	X
6	61719130	DOOR GASKET-GRAY (USE 623980)	X	X	X	X	X	X			
	619584	DOOR GASKET-WHITE (USE 623980)							X	X	X
	623980	DOOR GASKET (USE 638816)	X	X	X	X	X	X	X	X	X
	638816	KIT SERVICE DOOR GASKET REPLACEMENT	X	X	X	X	X	X	X	X	X
7	61739830	BREAKER ASSY-BLACK (USE 634186)	X	X							
	619318	BREAKER ASSY-BG (USE 620615)			X	X					
	619319	BREAKER ASSY-JB (USE 620615)					X	X			
	620615	BREAKER ASSY			X	X	X	X	X	X	
	634186	BREAKER ASSY-BLACK									X
8	61728722	CLIP-FIN	X	X	X	X	X	X	X	X	X
9	61721122	FINS-COOLING	X	X	X	X	X	X	X	X	X

## FRONT VIEW - 322/323 SERIES

9	61721122	FINS-COOLING	X	X	X	X	X	X	X	X	X	X
10	61741422	SPACER-HINGE/BLACK (USE 634188)	X	X								
	619322	SPACER-HINGE/BG (USE 620617)			X	X						
	619323	SPACER-HINGE/JB (USE 620617)					X	X				
	620617	SPACER-HINGE			X	X	X	X	X	X	X	
	634188	SPACER-HINGE	X	X								X
11	61114600	HINGE PIN-TOP(USE 638630)	X	X	X	X	X	X	X	X	X	
	638630	KIT SERVICE UPPER HINGE PIN REPLACEMENT	X	X	X	X	X	X	X	X	X	
	623899	HINGE PIN-TOP-BLACK (USE 638780)										X
	638780	KIT SERVICE UPPER HINGE PIN REPLACEMENT										X
12	61741322	HINGE-BLACK (USE 634187)	X	X								
	619320	HINGE-BG (USE 620616)			X	X						
	619321	HINGE-JB (USE 620616)					X	X				
	620616	HINGE			X	X	X	X	X	X	X	
	634187	HINGE-BLACK	X	X								X
13	61550722	HINGE PIN-BOTTOM (USE 638636)	X	X	X	X	X	X	X	X	X	X
	638636	KIT SERVICE LWR HINGE PIN REPLACEMENT	X	X	X	X	X	X	X	X	X	X
14	61720422	SHELF-WIRE/TOP (USE 632427)	X	X	X	X	X	X				
	618061	SHELF-WIRE/TOP ( USE 632427)	X	X	X	X	X	X	X	X	X	X
	632427	SHELF-WIRE/TOP	X	X	X	X	X	X	X	X	X	X
15	61720522	SHELF-WIRE/BOTTOM (USE 618060)	X	X	X	X	X	X				
	618060	SHELF-WIRE/BOTTOM (S/N 19156689 AND BELOW)	X	X	X	X	X	X	X	X	X	X
	632426	SHELF-WIRE/BOTTOM (S/N 19156690 AND ABOVE)	X	X	X	X	X	X	X	X	X	X
		PART IS NO LONGER AVAILABLE										

# REAR VIEW - 322/323 SERIES



Art00644

## REAR VIEW - 322/323 SERIES

NO.	PART #	DESCRIPTION	322	323	322BG	323BG	322JB	323JB	322T	323T	323BK
1	61417922	CABLE TIE-NYLON	X	X	X	X	X	X	X	X	X
2	61757222	FUSE ASSY DC SUPPLY LINE-DC KIT/EG3		X		X		X			
3	620850	COVER ASSY-BURNER BOX/WITH DOOR	X	X	X	X	X	X	X	X	X
4	61722922	ELECTRODE-SPARK	X	X	X	X	X	X	X	X	X
5	61445322	PLUG-1/8"//FOR PRESSURE TAP (SN 19493134 & BELOW)	X	X	X	X	X	X	X	X	X
6	61755322	PRESSURE TAP (CONTACT NORCOLD CUSTOMER SUPPORT)	X	X	X	X	X	X	X	X	X
	61594422	PRESSURE TAP (SN 19493134 & BELOW)							X	X	X
NS	621079	CONNECTOR-SWIVEL NUT (NOT SHOWN) (SN 1943134 & BELOW)							X	X	X
7	61723122	BURNER TUBE-USE SERVICE KIT ASSY (CONTACT NORCOLD CUSTOMER SUPPORT)	X	X	X	X	X	X	X	X	X
	621051	BURNER TUBE-322T/323T (SN19493134 & BELOW)							X	X	X
	635968	BURNER TUBE (SN 19493135 & ABOVE)								X	X
8	61623422	BRACKET-FOR THERMOCOUPLE/USED WITH 61723122	X	X	X	X	X	X			
	618448	BRACKET-THERMOCOUPLE	X	X	X	X	X	X	X	X	X
	629091	BRACKET-THERMOCOUPLE (SN19493134 & BELOW)	X	X	X	X	X	X	X	X	X
	636576	BRACKET THERMOCOUPLE (SN19493135 AND ABOVE)								X	X
9	61723122	THERMOCOUPLE-REPLACED BY 618445 & 618448	X	X	X	X	X	X			
	618445	THERMOCOUPLE (SN19493134 & BELOW)	X	X	X	X	X	X	X	X	X
	636078	THERMOCOUPLE (SN19493135 & ABOVE)								X	X
10	61721622	BURNER BOX-BOTTOM	X	X	X	X	X	X	X	X	X
11	617891	CONTROL ASSY-EG2	X		X		X		X		
	61751137	CONTROL ASSY-EG (SN19493134 & BELOW)		X		X		X		X	X
	635969	CONTROL ASSY (SN 19493135 & ABOVE)								X	X

## REAR VIEW - 322/323 SERIES

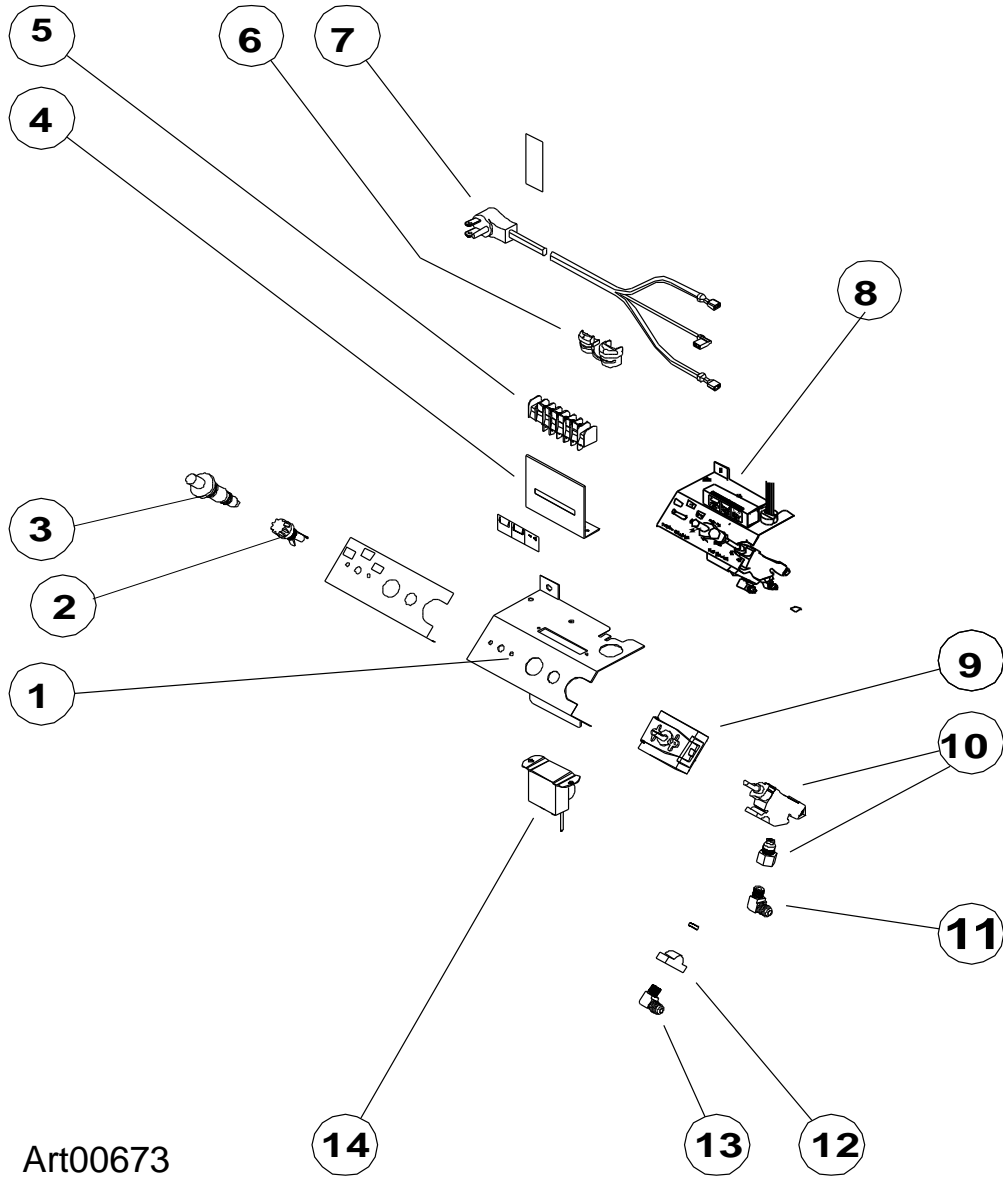
12	61723222	INLET TUBE (SN 19493134 & BELOW)	X	X	X	X	X	X	X	X	X	X
	636154	INLET TUBE (SN 19493135 & ABOVE)									X	X
13	61749122	MANUAL SHUT OFF VALVE (SN19493134 & BELOW)	X	X	X	X	X	X	X	X	X	X
14	61749822	BRACKET- MANUAL SHUT OFF VALVE (SN19493134 & BELOW)	X	X	X	X	X	X	X	X	X	X
15	621737	INTERRUPTER (SN 19493134 & BELOW)	X	X	X	X	X	X	X	X	X	X
16	61706122	LADDER TIE	X	X	X	X	X	X	X	X	X	X
17	61745322	HEATER-AC (COOLING UNIT SERIAL# 11255510 & BELOW)	X	X	X	X	X	X	X	X	X	X
	630805	HEATER-AC/BACKER (COOLING UNIT SERIAL# 11255511 & ABOVE) (USE 638370)									X	X
	638370	KIT SERVICE HEATER REPLACEMENT									X	X
18	61745422	HEATER-DC/EG3 (COOLING UNIT SERIAL# 11255510 & BELOW)		X		X			X		X	X
	630806	HEATER-DC/BACKER (COOLING UNIT SERIAL# 11255511 & ABOVE) (USE 638371)									X	X
	638371	KIT SERVICE HEATER REPLACEMENT									X	X
19	61755022	TUBE-EXHAUST	X	X	X	X	X	X	X	X	X	X
20	61754922	CAP-FLUE HEAT	X	X	X	X	X	X	X	X	X	X
21	61748722	KNOB-SELECTOR (SN19493134 & BELOW)	X	X	X	X	X	X	X	X	X	X
	636024	KNOB-SELECTOR (SN19493135 & ABOVE)									X	X
22	61748822	KNOB-GAS CONTROL (SN19493134 & BELOW)	X	X	X	X	X	X	X	X	X	X
	636025	KNOB-GAS CONTROL (SN19493135 & ABOVE)									X	X
NS	637121	SHIM KNOB (NOTE: Shim 637121 is no longer needed following design change to knob 636025, starting SN 21434103 And above, April 7, 2015)									X	X
23	617748	REAR BAFFLE (USE 619068)	X	X	X	X	X	X				
	619068	BAFFLE ASSY-REAR	X	X	X	X	X	X	X	X	X	X
24	621949	KIT-BURNER/ORIFICE ADAPTER ASSY/32/N260	X	X	X	X	X	X	X	X	X	X
25	61645622	SPARK IGNITOR-MANUAL (NOT SHOWN) (USE 639058)	X	X	X	X	X	X	X	X	X	X
	639058	KIT SERVICE SPARK IGNITOR REPLACEMENT	X	X	X	X	X	X	X	X	X	X

PART IS NO LONGER AVAILABLE

NS

NOT SHOWN

# CONTROL ASSEMBLY - 322/323 SERIES (SN 19493134 & BELOW)



Art00673



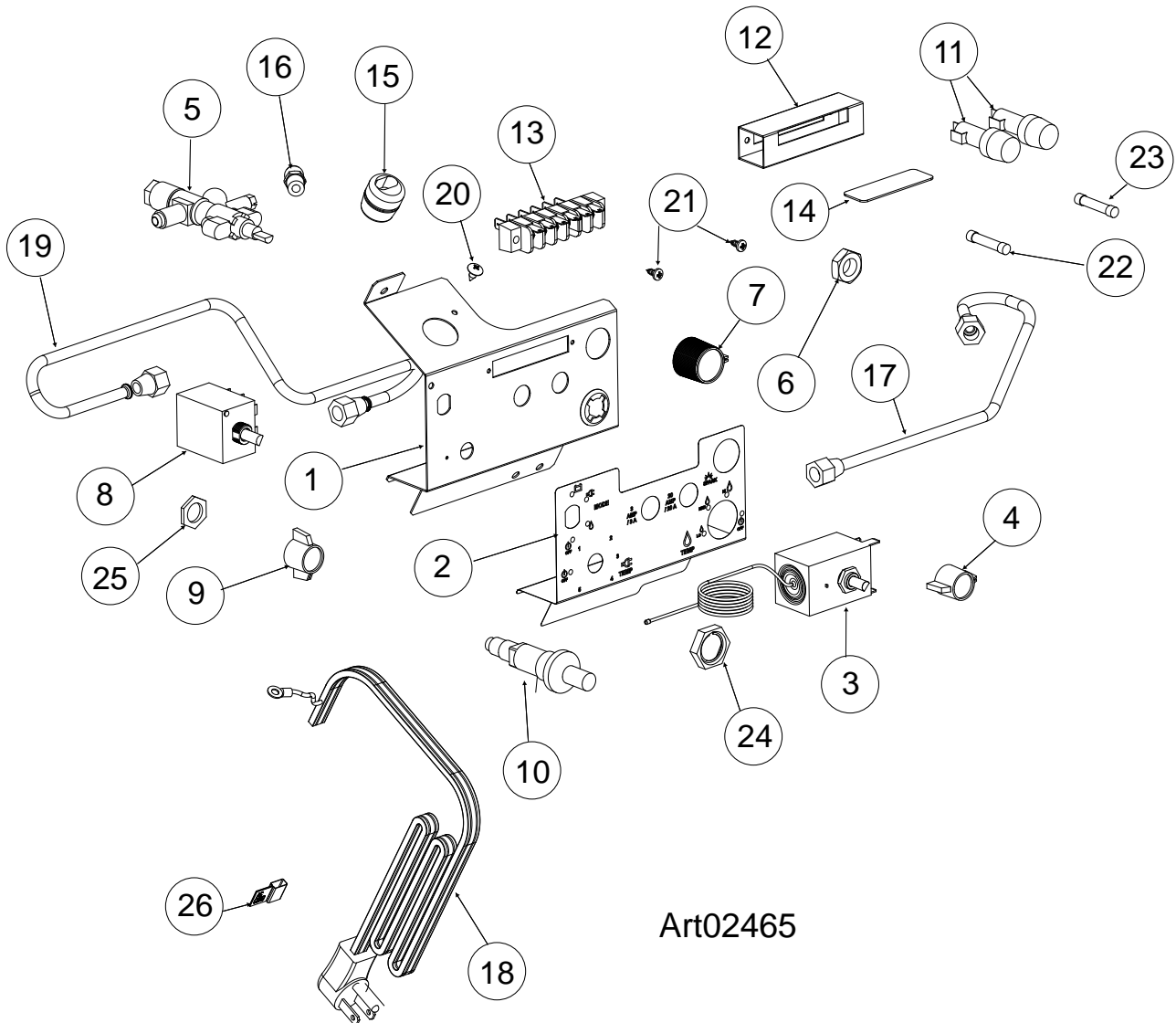
# CONTROL ASSEMBLY - 322/323 SERIES (SN19493134 & BELOW)

NO.	PART #	DESCRIPTION	322	323	322BG	323BG	322JB	323JB	322T	323T	323BK
1	61749222	BRACKET-CONTROL	X	X	X	X	X	X	X	X	X
2	61638722	FUSE HOLDER	X	X	X	X	X	X	X	X	X
	61440522	FUSE-GLASS/20 AMP	X	X	X	X	X	X	X	X	X
	61654622	FUSE-GLASS/3 AMP/32V OR LESS	X	X	X	X	X	X	X	X	X
3	61645622	SPARK IGNITOR-MANUAL	X	X	X	X	X	X	X	X	X
4	61756322	COVER-TERMINAL BLOCK	X	X	X	X	X	X	X	X	X
5	61754722	TERMINAL BLOCK	X	X	X	X	X	X	X	X	X
6	61395922	BUSHING-RELIEF	X	X	X	X	X	X	X	X	X
7	61745122	CORD-AC POWER	X	X	X	X	X	X	X	X	X
8	617891	CONTROL ASSY-EG2	X		X		X		X		
	61751137	CONTROL ASSY-EG3		X		X		X		X	X
9	61722422	SWITCH-SELECTOR (USE 619168)	X	X	X	X	X	X			
	619168	SWITCH-SELECTOR	X	X	X	X	X	X	X	X	X
10	620349	GAS VALVE/OUTLET FITTING ASSY-SERVICE PART (SERIAL NUMBER 12352301 AND BELOW)	X	X	X	X	X	X	X	X	X
	633786	GAS VALVE/OUTLET FITTING ASSY-SERVICE PART (SERIAL NUMBER 12352302 AND ABOVE)	X	X	X	X	X	X	X	X	X
NS	61758522	RUBBER GASKET-SOURDILLON CONTROL (NOT SHOWN)	X	X	X	X	X	X	X	X	X
NS	620654	BY PASS SCREW-#18 (NOT SHOWN)	X	X	X	X	X	X	X	X	X
11	61621622	BRASS ELBOW-UNION TUBE	X	X	X	X	X	X			
12	618692	SADDLE FITTING-WITH CONNECTOR/FORGED BRASS	X	X	X	X	X	X	X	X	X
13	619278	BRASS ELBOW-90 DEGREE/1/8 NPTF							X	X	X
14	61756722	THERMOSTAT (USE 618681)	X	X	X	X	X	X			
	618681	THERMOSTAT	X	X	X	X	X	X	X	X	X
NS	61752322	WIRE-4"/BLK	X	X	X	X	X	X	X	X	X
NS	61752422	WIRE-4"/RED	X	X	X	X	X	X	X	X	X
NS	618557	WIRE-CONTROL/BLACK (NOT SHOWN)		X		X		X		X	X
NS	618558	WIRE-CONTROL/RED (NOT SHOWN)		X		X		X		X	X
NS	61752522	WIRE-ORANGE (NOT SHOWN)	X	X	X	X	X	X	X	X	X

PART IS NO LONGER AVAILABLE

NS NOT SHOWN

# CONTROL ASSEMBLY - 322/323 SERIES (SN19493135 & ABOVE)



Art02465

## CONTROL ASSEMBLY - 322/323 SERIES (SN19493135 & ABOVE)

NO.	PART #	DESCRIPTION	323T	323BK
1	635965	323 / N260.3 CONTROL PANEL BRACKET	X	X
2	636200	CONTROL PANEL LABEL	X	X
3	636495	THERMOSTAT	X	X
4	636206	KNOB- SELECTOR	X	X
5	635690	COPRECI VAVLE (USE 638587)	X	X
	638587	KIT SERVICE GAS VALVE REPLACEMENT	X	X
6	636356	M12-1.00 HEX JAM NUT	X	X
7	636025	GAS CONTROL VALVE KNOB	X	X
NS	637121	SHIM- KNOB	X	X
8	620863	SELECTOR SWITCH	X	X
9	636024	KNOB- SELECTOR	X	X
10	61645622	SPARK IGNITOR- MARK 21	X	X
11	61638722	FUSE HOLDER	X	X
12	61756322	TERMINAL BLOCK COVER	X	X
13	636173	TERMIANL BLOCK	X	X
14	620080	LABEL - TERMINAL BLOCK	X	X
15	61395922	STRAIN RELIEF	X	X
16	61546822	MALE CONNECTOR	X	X
17	635968	GAS LINE - BURNER	X	X
18	61745122	AC CORD	X	X
19	636154	GAS LINE - INLET	X	X
20	61110922	#8-18 X 3/8 PHIL. TRUSS HEAD (TYPR AB)	X	X
21	61572922	SCREW #6-20 X 3/8" PHILLIPS PAN HEAD TAPPING	X	X
22	61654622	FUSE 3AG GLASS BODY FAST _ACTING	X	X
23	61440522	FUSE 20AG GLASS BODY FAST _ACTING	X	X
24	623972	SPEED NUT, NO. 2	X	X
25	621308	NUT, ATTACHMENT	X	X
26	619851	AC CORD LABEL	X	X
NS	61722922	SPARK ELECTRODE	X	X
NS	636078	THERMOCOUPLE	X	X
NS	636061	WIRE ASSEMBLY, RED	X	X
NS	636062	WIRE ASSEMBLY, BLACK	X	X

NS                      NOT SHOWN



# PARTS LIST

## 600 Series

652BK	653BK
-------	-------

662BK	663BK
-------	-------

662BKIM	663BKIM
---------	---------

682BK	683BK
-------	-------

682BKIM	683BKIM
---------	---------

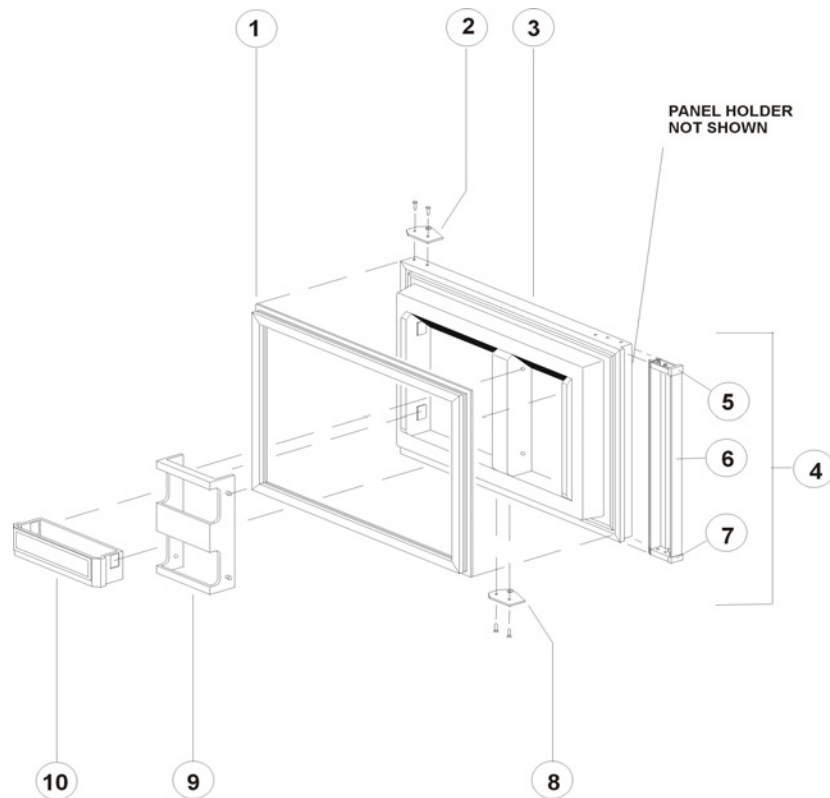
652BN	653BN
-------	-------

662BN	663BN
-------	-------

682BN	683BN
-------	-------

682BNIM
---------

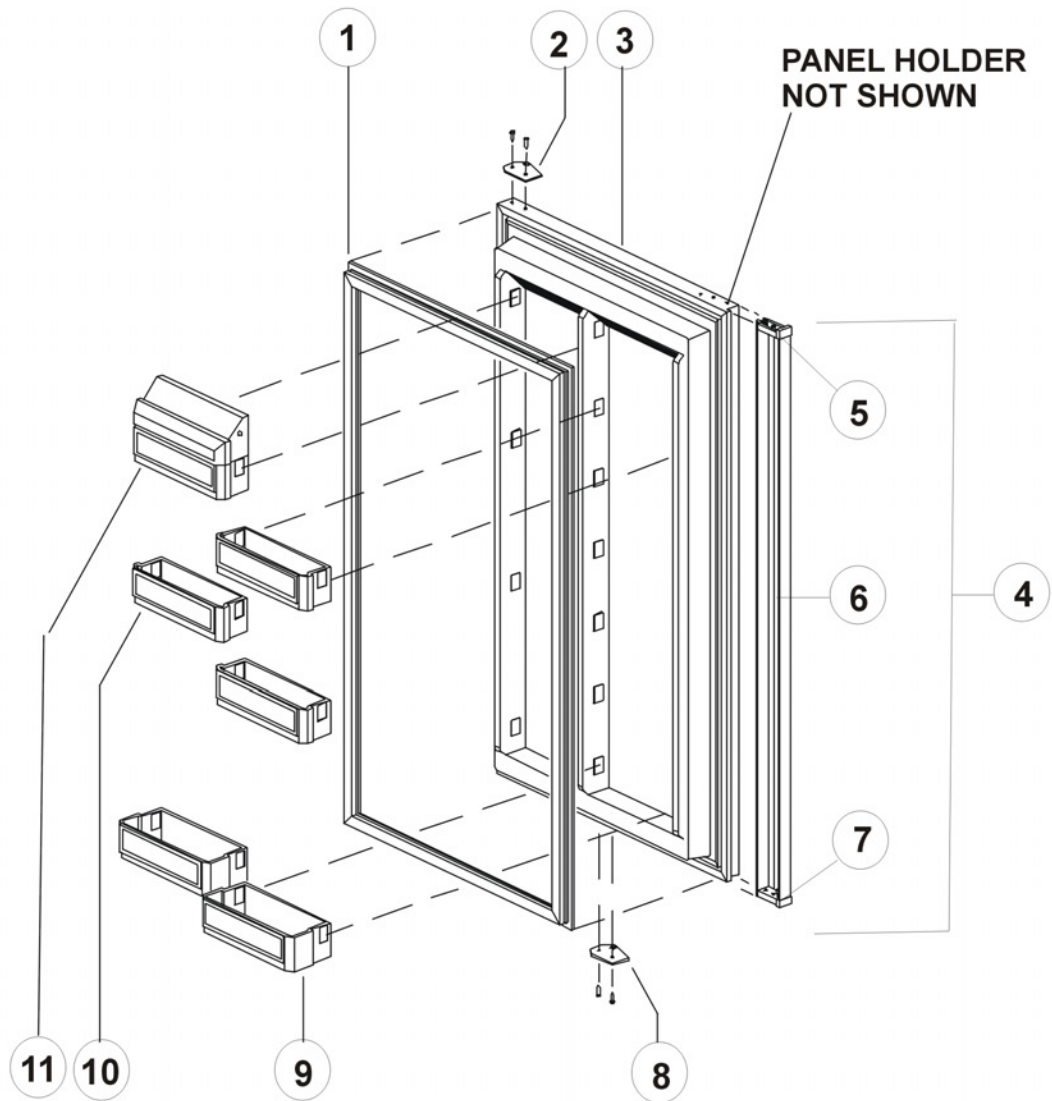
# UPPER DOOR - 66, 68, 66IM, 68IM SERIES - BLACK OR BROWN



NO.	PART #	DESCRIPTION	66	68	66IM	68IM
1	61567830	DOOR GASKET-UPPER/GRAY	X	X	X	X
2	61631330	HINGE PLATE-BLACK/RH TOP/LH BOTTOM/PLASTIC	BLK	BLK	BLK	BLK
	61631322	HINGE PLATE-BROWN/RH TOP/LH BOTTOM/PLASTIC (USE 61631330)	BRN	BRN		BRN
3	61581838-B	DOOR LINER ASSY-FOAMED/UPPER/BLACK/WHITE (USE 61689938)	BLK	BLK	BLK	BLK
	61581837-B	DOOR LINER ASSY-FOAMED/UPPER/BROWN/WHITE LINER (USE 61689938)	BRN	BRN		BRN
	61689938	DOOR LINER ASSY-FOAMED/UPPER	X	X	X	X
NS	61592930	PANEL HOLDER-BLACK/UPPER DOOR (NOT SHOWN)	BLK	BLK	BLK	BLK
NS	61592923	PANEL HOLDER-BROWN/UPPER DOOR (NOT SHOWN)(USE 61592930)	BRN	BRN		BRN
4	61743638	DOOR HANDLE ASSY-UPPER/BLACK	BLK	BLK	BLK	BLK
	61743637	DOOR HANDLE ASSY-UPPER/BROWN (USE 61743638)	BRN	BRN		BRN
	61650038	DOOR HANDLE ASSY-UPPER/BLACK (USE 61743638)	BLK	BLK	BLK	BLK
	61650037	DOOR HANDLE ASSY-UPPER/BROWN (USE 61743638)	BRN	BRN		BRN
5	61593830	END CAP-BLACK/STOP CATCH	BLK	BLK	BLK	BLK
	61593822	END CAP-BROWN/STOP CATCH (USE 61593830)	BRN	BRN		BRN
6	61743622	DOOR HANDLE WITH DECAL-UPPER	X	X	X	X
	61666722	DOOR HANDLE WITH DECAL-UPPER (USE 61743622)	X	X	X	X
7	61593730	END CAP-BLACK/SPRING CATCH	BLK	BLK	BLK	BLK
	61593722	END CAP-BROWN/SPRING CATCH (USE 61593730)	BRN	BRN		BRN
NS	61558822	SPRING-DOOR HANDLE	X	X	X	X
8	61631430	HINGE PLATE-BLACK/LH TOP/RH BOTTOM/PLASTIC	BLK	BLK	BLK	BLK
	61631422	HINGE PLATE-BROWN/LH TOP/RH BOTTOM/PLASTIC (USE 61631430)	BRN	BRN		BRN
9	61580540	JUICE RACK-GRAY/SILVER TRIM (USE 61580525)	X	X		
	61580525	JUICE RACK-WHITE	X	X		
10	61564060	BIN-DOOR SHELF/GRAY/SILVER BORDER (USE 61564025)	X	X	X	X
	617759	BIN-DOOR SHELF/WHITE/BLUE TRIM (USE 61564025)	X	X	X	X
	61564025	BIN-DOOR SHELF/WHITE	X	X	X	X

PART IS NO LONGER AVAILABLE

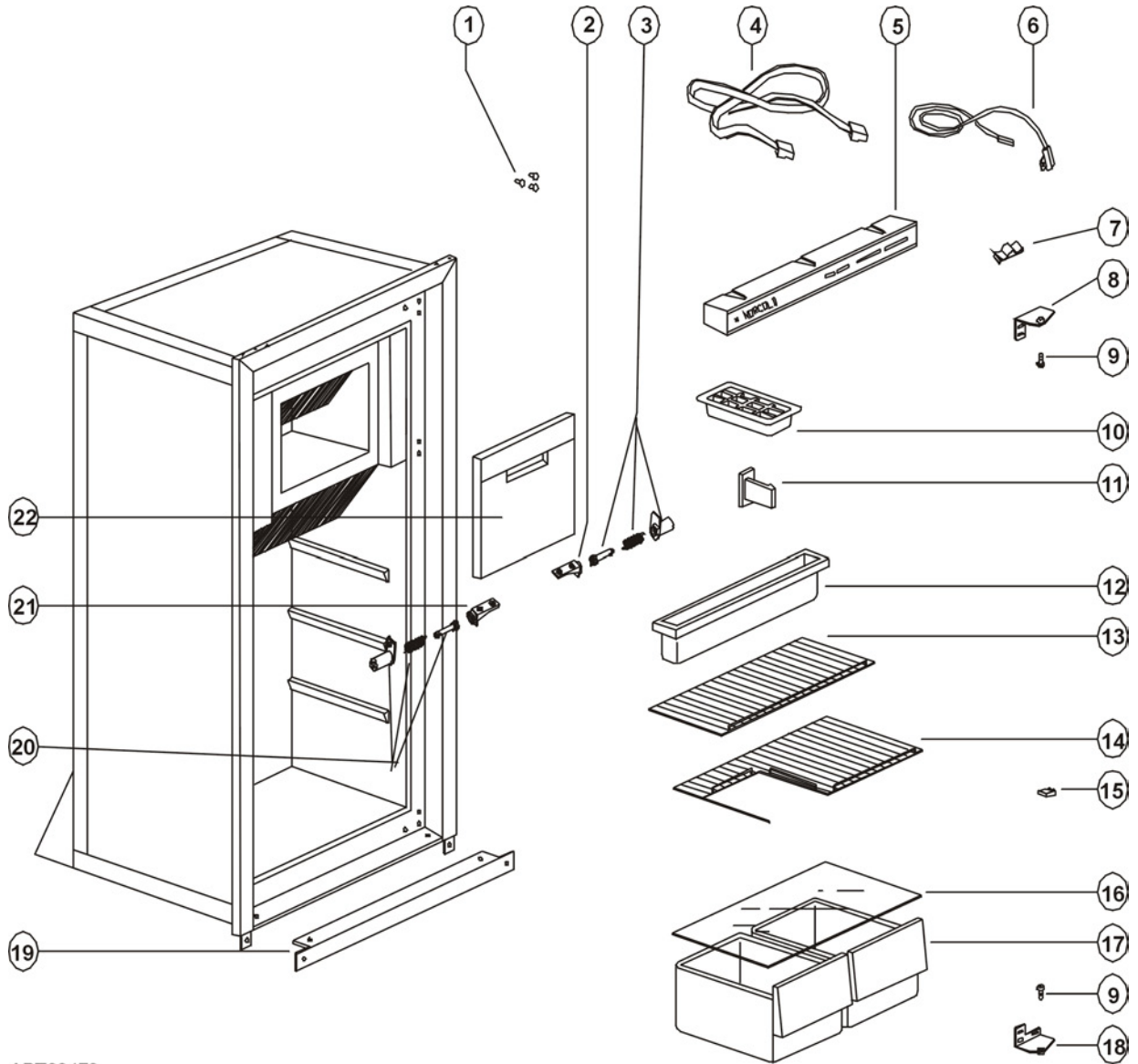
# LOWER DOOR (FRESH FOOD) - 600 SERIES - BLACK OR BROWN



## LOWER DOOR (FRESH FOOD) - 600 SERIES - BLACK OR BROWN

NO.	PART #	DESCRIPTION	65	66	68	66IM	68IM
1	61568030	DOOR GASKET-LOWER/GRAY	X		X		X
	61567930	DOOR GASKET-LOWER/GRAY		X		X	
2	61631330	HINGE PLATE-BLACK/RH TOP/LH BOTTOM/PLASTIC	BLK	BLK	BLK	BLK	BLK
	61631322	HINGE PLATE-BROWN/RH TOP/LH BOTTOM/PLASTIC (USE 61631330)	BRN	BRN	BRN		BRN
3	61581738-B	DOOR LINER ASSY-FOAMED/LOWER/BLACK/WHITE	BLK		BLK		BLK
	61581737-B	DOOR LINER ASSY-FOAMED/LOWER/BROWN/WHITE (USE 61581738-B)	BRN		BRN		BRN
	61581938-B	DOOR LINER ASSY-FOAMED/LOWER/BLACK/WHITE LINER (USE 61690038)		BLK		BLK	
	61581937-B	DOOR LINER ASSY-FOAMED/LOWER/BROWN/WHITE LINER (USE 61690038)		BRN			
	61690038	DOOR LINER ASSY-FOAMED/LOWER/BLACK	X	X	X	X	X
NS	61593130	PANEL HOLDER-BLACK/LOWER DOOR (NOT SHOWN)	BLK		BLK		BLK
	61593123	PANEL HOLDER-BROWN/LOWER DOOR (USE 61593130) (NOT SHOWN)	BRN		BRN		BRN
	61593030	PANEL HOLDER-BLACK/LOWER DOOR (NOT SHOWN)		BLK		BLK	
	61593023	PANEL HOLDER-BROWN/LOWER DOOR (USE 61593030) (NOT SHOWN)		BRN			
4	61649938	DOOR HANDLE ASSY-LOWER/BLACK (USE 61648838)	BLK		BLK		BLK
	61649937	DOOR HANDLE ASSY-LOWER/BROWN (USE 61648838)	BRN		BRN		BRN
	61743538	DOOR HANDLE ASSY-LOWER/BLACK (USE 61648838)	BLK		BLK		BLK
	61743537	DOOR HANDLE ASSY-LOWER/BROWN (USE 61648838)	BRN		BRN		BRN
	61648838	DOOR HANDLE ASSY-LOWER	X		X		X
	61743738	DOOR HANDLE ASSY-LOWER/BLACK (USE 61743738)		BLK		BLK	
	61743737	DOOR HANDLE ASSY-LOWER/BROWN (USE 61743738)		BRN			
	61650138	DOOR HANDLE ASSY-LOWER/BLACK (USE 61743738)		BLK		BLK	
	61650137	DOOR HANDLE ASSY-LOWER/BROWN (USE 61743738)		BRN			
5	61737838	DOOR HANDLE ASSY-LOWER		X		X	
	61593830	END CAP-BLACK/STOP CATCH	BLK	BLK	BLK	BLK	BLK
6	61593822	END CAP-BROWN/STOP CATCH (USE 61593830)	BRN	BRN	BRN		BRN
	61666622	DOOR HANDLE WITH DECAL-LOWER (USE 61648422)	X		X		X
	61743522	DOOR HANDLE WITH DECAL-LOWER (USE 61648422)	X		X		X
	61648422	DOOR HANDLE LOWER	X		X		X
	61666822	DOOR HANDLE WITH DECAL-LOWER (USE 61743722)		X		X	
7	61743722	DOOR HANDLE WITH DECAL-LOWER		X		X	
	61593730	END CAP-BLACK/SPRING CATCH	BLK	BLK	BLK	BLK	BLK
NS	61593722	END CAP-BROWN/SPRING CATCH (USE 61593730)	BRN	BRN	BRN		BRN
	61558822	SPRING-DOOR HANDLE	X	X	X	X	X
8	61631430	HINGE PLATE-BLACK/LH TOP/RH BOTTOM/PLASTIC	BLK	BLK	BLK	BLK	BLK
	61631422	HINGE PLATE-BROWN/LH TOP/RH BOTTOM/PLASTIC (USE 61631430)	BRN	BRN	BRN		BRN
9	61579460	BIN-MILK/GRAY/SILVER BORDER (USE 61579425)	X	X	X	X	X
	617757	BIN-MILK/WHITE/BLUE TRIM (USE 61579425)	X	X	X	X	X
	61579425	BIN-MILK/WHITE	X	X	X	X	X
10	61564060	BIN-DOOR SHELF/GRAY/SILVER BORDER (USE 61564025)	X	X	X	X	X
	617759	BIN-DOOR SHELF/WHITE/BLUE TRIM (USE 61564025)	X	X	X	X	X
	61564025	BIN-DOOR SHELF/WHITE	X	X	X	X	X
11	61580460	DAIRY KEEPER-GRAY/SILVER BORDER	X	X	X	X	X
	617760	DAIRY KEEPER-WHITE/BLUE TRIM	X	X	X	X	X
		PART IS NO LONGER AVAILABLE					

# CABINET ASSEMBLY - FRONT VIEW - 65 SERIES BLACK OR BROWN



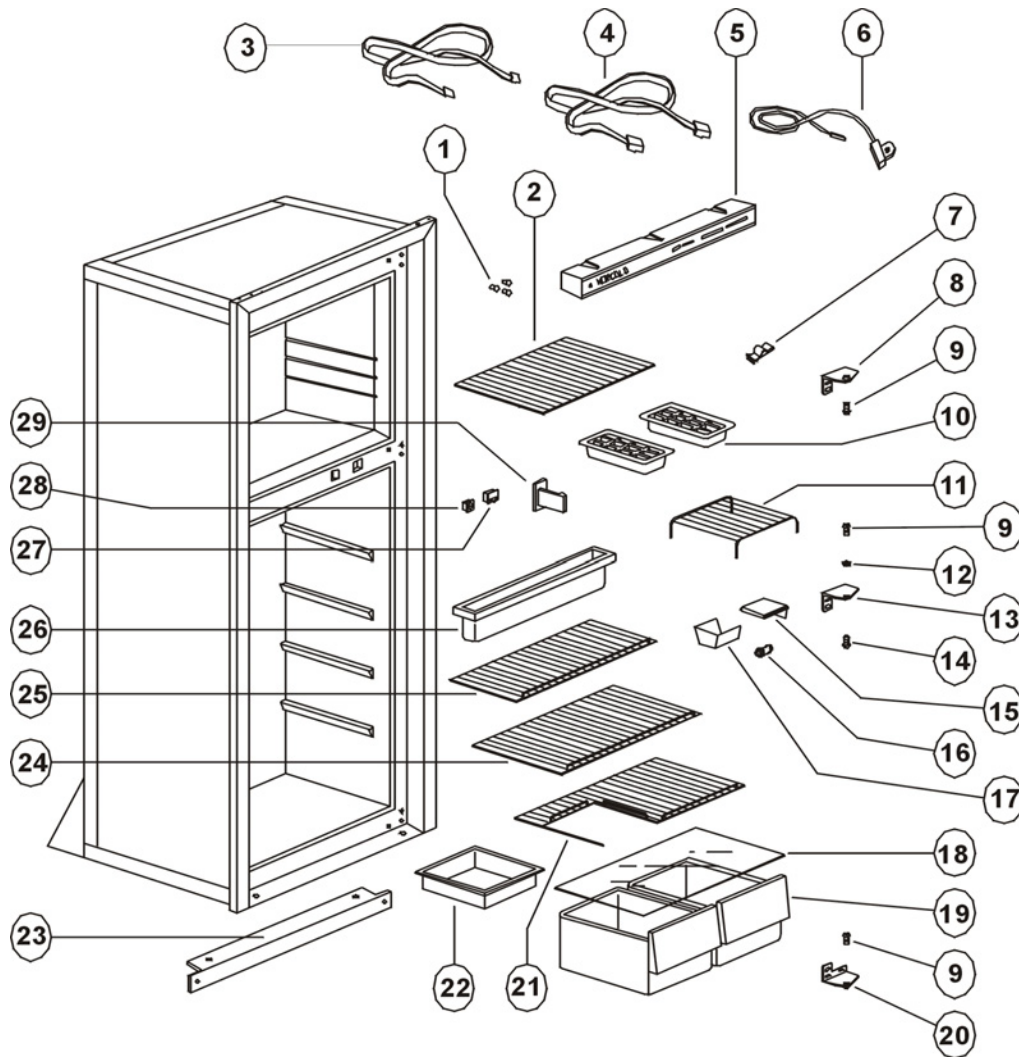
ART00470



## CABINET ASSEMBLY - FRONT VIEW - 65 SERIES BLACK OR BROWN

NO.	PART #	DESCRIPTION	65
1	61582030	HOLE PLUG-BLACK/HINGE HOLES	BLK
	61582022	HOLE PLUG-BROWN/HINGE HOLES (USE (61582030))	BRN
2	61632930	MOUNTING CLIP-RH/WHITE/EVAPORATOR DOOR	X
3	619041	SPRING HOLDER ASSY-RH/EVAP DOOR/SILVER SPRING	X
4	61571522	CABLE-GRAY/ 80"/PC BOARD TO POWER SUPPLY BOARD	X
5	61660937	EYEBROW ASSY-EG2	EG2
	61661037	EYEBROW ASSY-EG3	EG3
6	61621122	THERMISTER-66" (USE 61693822)	X
	61693822	THERMISTER-66"	X
7	633734	CLIP-THERMISTER MOUNTING/FIN	X
8	61580830	HINGE BRACKET-RH TOP/LH BTM/BLACK	BLK
	61580837	HINGE BRACKET-BROWN/RH TOP/LH BTM (USE 61580830)	BRN
9	61578130	HINGE PIN-BLACK/MALE	BLK
	61578123	HINGE PIN-BROWN/MALE	BRN
10	61630422	ICE CUBE TRAY-PLASTIC	X
11	61578522	DOOR LATCH	X
12	61619930	DRIP TRAY-INSIDE	X
13	61563722	SHELF-WIRE/TOP WITH LH RISER (USE 618651)	X
	617726	SHELF-WIRE/TOP WITH RH RISER (USE 618651)	X
	618062	SHELF-WIRE/TOP/RH RISER (USE 618651)	X
	618651	SHELF-CUTOUT-WHITE	X
14	61646722	SHELF-WIRE/WITH CUT OUT (USE 618055)	X
	618055	SHELF-WIRE/CUT OUT	X
NS	61622722	RETAINER-WIRE SHELF (NOT SHOWN)	X
15	61580322	RETAINER-GLASS SHELF	X
16	61564122	CRISPER COVER-GLASS SHELF	X
17	61571360	CRISPER-GRAY/SILVER BORDER (USE 61571325)	X
	617758	CRISPER-WHITE/BLUE TRIM (USE 61571325)	X
	61571325	CRISPER-WHITE	X
18	61580930	HINGE BRACKET-LH TOP/RH BTM/BLACK	BLK
	61580937	HINGE BRACKET-LH TOP/RH BTM/BROWN (USE 61580930)	BRN
19	61622130	FRONT COVER-BLACK/REPLACEABLE BOTTOM TRIM	BLK
	61622123	FRONT COVER-BROWN/REPLACEABLE BOTTOM TRIM (USE 61622130)	BRN
20	619042	SPRING HOLDER ASSY-LH/EVAP DOOR/YELLOW SPRING	X
21	61633030	MOUNTING CLIP-LH/WHITE/EVAPORATOR DOOR	X
22	61620738	EVAPORATOR DOOR ASSY-WHITE/WITHOUT DECAL	X
NS	61618730	DOOR GASKET-EVAPORATOR/GRAY (NOT SHOWN)	X
NS	61579730	CAP-SNAP ON/BLACK/INSTALLATION HOLES (NOT SHOWN)	BLK
	61579722	CAP-SNAP ON/BROWN/INSTALLATION HOLES (NOT SHOWN) (USE 61579730)	BRN
NS	61580630	HINGE PIN-BLACK/TOP/BOTTOM HINGE/FEMALE (NOT SHOWN)	BLK
	61580623	HINGE PIN-BROWN/TOP/BOTTOM HINGE/FEMALE (USE 61580630)	BRN
		PART IS NO LONGER AVAILABLE	

# CABINET ASSEMBLY - FRONT VIEW - 66 ,68 SERIES - BLACK OR BROWN



ART00467

NO.	PART #	DESCRIPTION	66	68	66IM	68IM
1	61582030	HOLE PLUG-BLACK/HINGE HOLES	BLK	BLK	BLK	BLK
	61582022	HOLE PLUG-BROWN/HINGE HOLES (USE (61582030))	BRN	BRN		BRN
2	61710622	SHELF-WIRE/FREEZER (USE 618650)	X	X		
	618057	SHELF-WIRE/FREEZER (USE 618650)	X	X		
	618650	SHELF-WIRE/FREEZER	X	X		
NS	61710522	SHELF-WIRE/FREEZER/ICE MAKER (USE 618058)(NOT SHOWN)			X	X
	618058	SHELF-WIRE/FREEZER/WHITE/ICE MAKER (NOT SHOWN)			X	X
3	61718722	HUMIDITY SWITCH HARNESS ASSY	X	X	X	X
4	61571522	CABLE-GRAY/ 80"/PC BOARD TO POWER SUPPLY BOARD	X	X	X	X
5	61660937	EYEBROW ASSY-EG2	EG2	EG2	EG2	EG2
	61724138	EYEBROW ASSY-EG2	EG2	EG2	EG2	EG2
	61661037	EYEBROW ASSY-EG3	EG3	EG3	EG3	EG3
	61724038	EYEBROW ASSY-EG3	EG3	EG3	EG3	EG3
6	61621122	THERMISTER-66" (USE 61693822)	X	X		
	61693822	THERMISTER-66"	X	X	X	X
7	633734	CLIP-THERMISTER MOUNTING/FIN	X	X	X	X

PART IS NO LONGER AVAILABLE

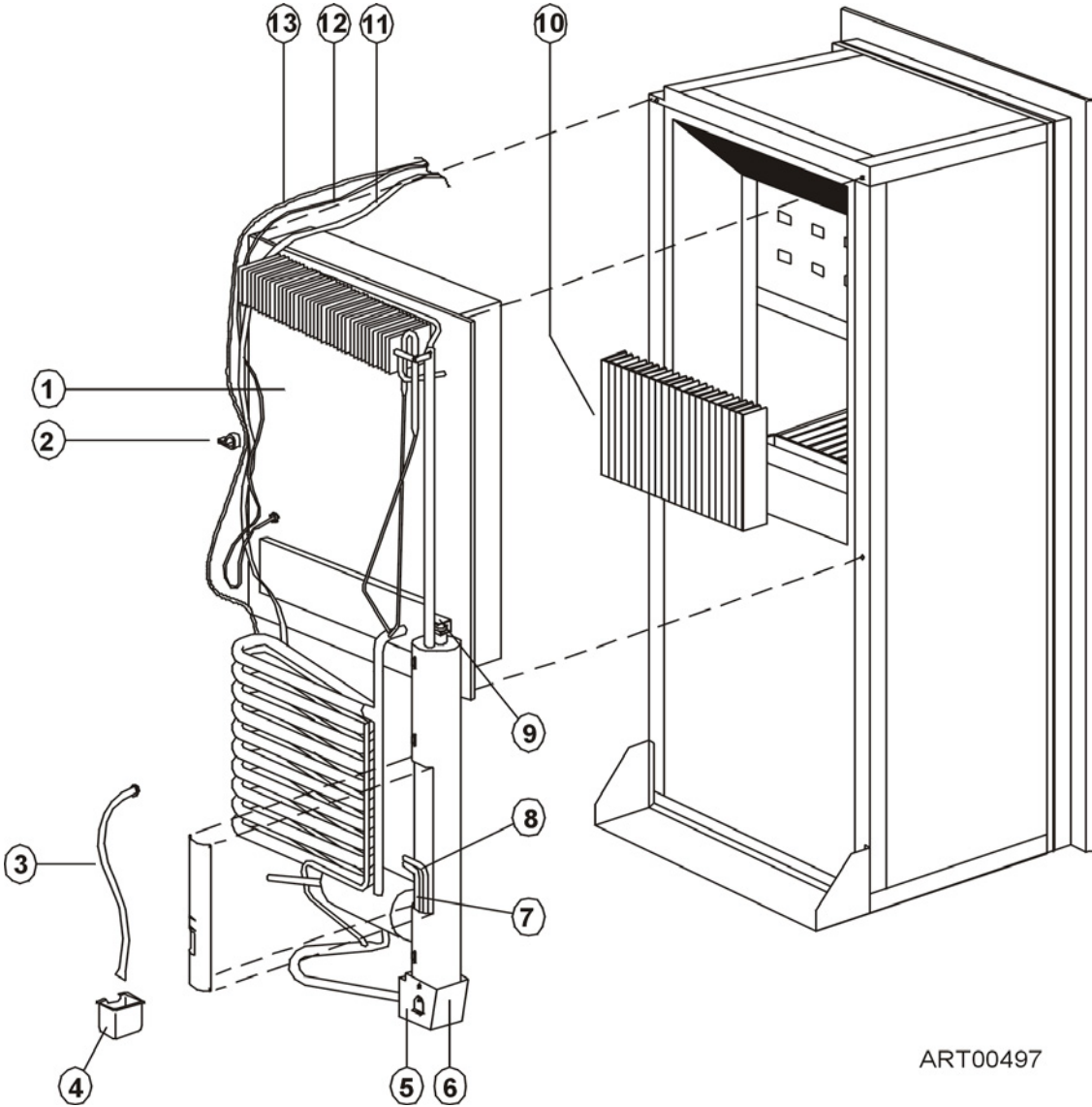
(Continued on Page 8)

# CABINET ASSEMBLY - FRONT VIEW - 66 ,68 SERIES - BLACK OR BROWN

NO.	PART #	DESCRIPTION	66	68	66IM	68IM
8	61580830	HINGE BRACKET-RH TOP/LH BTM/BLACK	BLK	BLK	BLK	BLK
	61580837	HINGE BRACKET-RH TOP/LH BTM/BROWN (USE 61580830)	BRN	BRN		BRN
9	61578130	HINGE PIN-BLACK/MALE	BLK	BLK	BLK	BLK
	61578123	HINGE PIN-BROWN/MALE	BRN	BRN		BRN
10	61630422	ICE CUBE TRAY-PLASTIC	X	X		
NS	618464	BIN-ICE BIN/WHITE/RELOCATED IM (NOT SHOWN)			X	X
	61688322	BIN-ICE/ICE MAKER/GRAY (USE 617761)(NOT SHOWN)			X	X
	617761	BIN-ICE/ICE MAKER/WHITE (NOT SHOWN)			X	X
11	61523622	SHELF-WIRE/EVAPORATOR	X	X		
	61542422	CAP-EVAPORATOR SHELF	X	X	X	X
12	61580722	HINGE BUSHING-AT CENTER HINGE	X	X	X	X
13	61566530	HINGE BRACKET-BLACK/CENTER HINGE	BLK	BLK	BLK	BLK
	61566523	HINGE BRACKET-BROWN/CENTER HINGE (USE 61566530)	BRN	BRN		BRN
14	61566730	HINGE PIN SHAFT-BLACK/AT CENTER HINGE	BLK	BLK	BLK	BLK
	61566723	HINGE PIN SHAFT-BROWN/AT CENTER HINGE (USE 61566730)	BRN	BRN		BRN
15	61629722	LAMP BRACKET ASSY	X	X	X	X
16	632545	LAMP-DC LIGHT BULB	X	X	X	X
17	61627922	COVER-LAMP (USE 621827)	X	X	X	X
	621827	COVER-LAMP	X	X	X	X
18	61564122	CRISPER COVER-GLASS SHELF	X	X	X	X
19	61571360	CRISPER-GRAY/SILVER BORDER (USE 61571325)	X	X	X	X
	617758	CRISPER-WHITE/BLUE TRIM (USE 61571325)	X	X	X	X
	61571325	CRISPER-WHITE	X	X	X	X
20	61580930	HINGE BRACKET-LH TOP/RH BTM/BLACK	BLK	BLK	BLK	BLK
	61580937	HINGE BRACKET-BROWN/LH TOP/RH BTM (USE 61580930)	BRN	BRN		BRN
21	61646722	SHELF-WIRE/WITH CUT OUT (USE 618055)	X	X	X	X
	618055	SHELF-WIRE/CUT OUT	X	X	X	X
22	61680922	TRAY-SHELF/GRAY/CUT OUT (USE 617756)	X	X	X	X
	617756	TRAY-SHELF/WHITE/CUT OUT	X	X	X	X
23	61622130	FRONT COVER-BLACK/REPLACEABLE BOTTOM TRIM	BLK	BLK	BLK	BLK
	61622123	FRONT COVER-BROWN/REPLACEABLE BOTTOM TRIM (USE 61622130)	BRN	BRN		BRN
24	61563822	SHELF-WIRE/MIDDLE (USE 618052)	X	X	X	X
	618052	SHELF-WIRE/MIDDLE	X	X	X	X
25	61563722	SHELF-WIRE/TOP WITH LH RISER (USE 618651)	X	X	X	X
	617726	SHELF-WIRE/TOP WITH RH RISER (USE 618651)	X	X	X	X
	618062	SHELF-WIRE/TOP/RH RISER (USE 618651)	X	X	X	X
	618651	SHELF-WIRE/CUTOUT-WHITE	X	X	X	X
NS	618065	CAP-CLEAR/FOR FLIPPER SHELF (NOT SHOWN)	X	X	X	X
NS	61580222	RETAINER-WIRE SHELF (NOT SHOWN)	X	X	X	X
NS	61580322	RETAINER-GLASS SHELF	X	X	X	X
26	61572830	DRIP TRAY-INSIDE/WHITE	X	X	X	X
27	61581022	LIGHT SWITCH-BLACK	X	X	X	X
28	61525922	ROCKER SWITCH-BLACK/3 POSITION (SWITCH IN DIVIDER)	X	X	X	X
NS	617723	COVER-HUMIDITY SWITCH (NOT SHOWN)	X	X	X	X
29	61578522	DOOR LATCH	X	X	X	X
NS	61579730	CAP-SNAP ON/BLACK/INSTALLATION HOLES (NOT SHOWN)	BLK	BLK	BLK	BLK
	61579722	CAP-SNAP ON/BROWN/INSTALLATION HOLES (NOT SHOWN) (USE 61579730)	BRN	BRN		BRN
NS	61580630	HINGE PIN-BLACK/TOP/BOTTOM HINGE/FEMALE (NOT SHOWN)	BLK	BLK	BLK	BLK
	61580623	HINGE PIN-BROWN/TOP/BOTTOM HINGE/FEMALE (USE 61580630)	BRN	BRN		BRN

PART IS NO LONGER AVAILABLE

**CABINET ASSEMBLY - REAR VIEW - COOLING UNIT AREA - 600 SERIES**

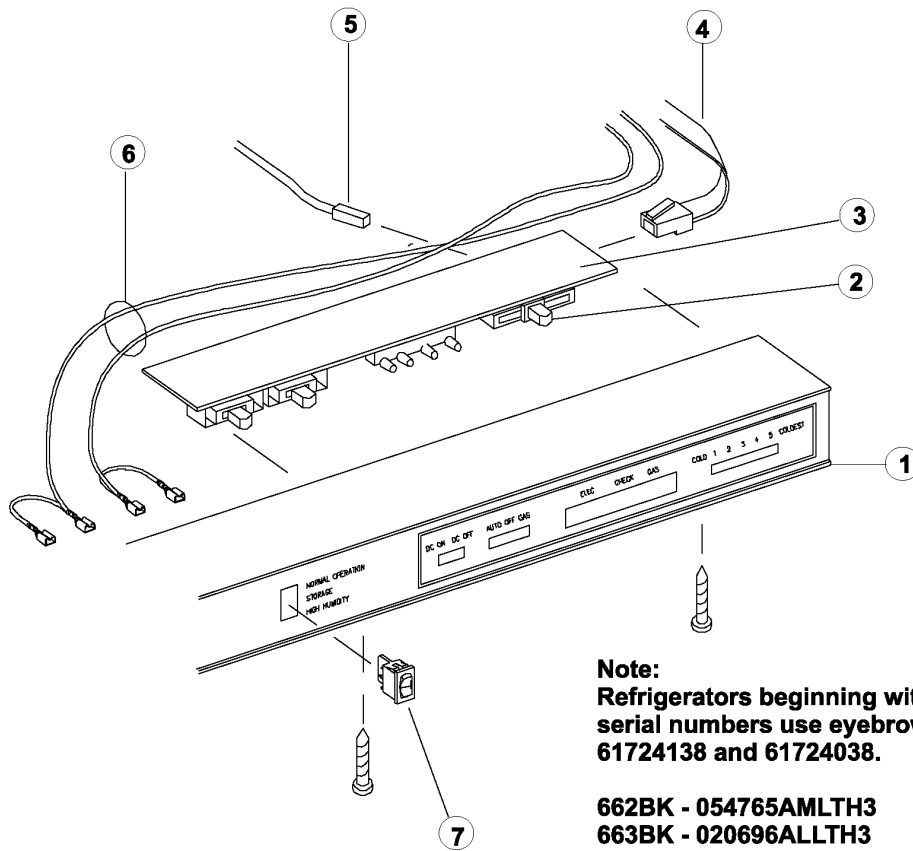


ART00497

## CABINET ASSEMBLY - REAR VIEW - COOLING UNIT AREA - 600 SERIES

NO.	PART #	DESCRIPTION	65	66	68	66IM	68IM
1	61687140	NSC SYSTEM PACK-COOLING UNIT/NA6	X				
	632311	NSC SYSTEM PACK-COOLING UNIT/NA8 (BACKER HEATER)		X		X	
	632318	NSC SYSTEM PACK-COOLING UNIT/NA10 (BACKER HEATER)			X		X
NS	61679337	BAFFLE DIFFUSER/WIRE ASSY (NOT SHOWN)(USE 61632010/61679022)	X				
	61679237	BAFFLE DIFFUSER/WIRE ASSY (NOT SHOWN)(USE 618111)		X	X	X	X
2	61536522	CLAMP-NYLON CABLE 1/2"	X	X	X	X	X
3	61509522	DRAIN HOSE (USE 622390)			X		X
	61591422	DRAIN HOSE-23" (USE 622390)		X		X	
	622390	DRAIN TUBE ASSY		X	X	X	X
NS	61505122	HOSE CLAMP (NOT SHOWN)		X	X	X	X
4	61710922	DRIP CUP-REAR/METAL (USE 622546)		X	X	X	X
	61530511	DRIP PAN-REAR/RECTANGULAR CANISTER (USE 622546)		X	X	X	X
	622546	DRIP CUP-REAR/PLASTIC		X	X	X	X
5	61712637	COVER ASSY-BURNER BOX	X	X	X	X	X
6	61695322	BASE-BURNER BOX	X	X	X	X	X
7	61562522	HEATER-AC/200W/110VAC	X				
	621702	HEATER-AC (COOLING UNIT SERIAL# 11231023 & BELOW)		X		X	
		HEATER-AC (COOLING UNIT SERIAL# 11232007 & BELOW)				X	X
	630811	HEATER-AC/BACKER (COOLING UNIT SERIAL# 11231024 & ABOVE)		X		X	
		HEATER-AC/BACKER (COOLING UNIT SERIAL# 11232008 & ABOVE)				X	X
8	61562622	HEATER-DC/150W/14VDC	EG3				
	623832	HEATER-DC (COOLING UNIT SERIAL# 11231023 & BELOW)		EG3		EG3	
		HEATER-DC (COOLING UNIT SERIAL# 11232007 & BELOW)				EG3	EG3
	630812	HEATER-DC/BACKER (COOLING UNIT SERIAL# 11231024 & ABOVE)		EG3		EG3	
		HEATER-DC/BACKER (COOLING UNIT SERIAL# 11232008 & ABOVE)				EG3	EG3
9	61695022	CAP-HEAT DEFLECTOR	X	X	X	X	X
10	61686823	FINS	X	X	X	X	X
11	61571522	CABLE-GRAY/ 80"/PC BOARD TO POWER SUPPLY BOARD	X	X	X	X	X
12	61621122	THERMISTER-66" (USE 61693822)	X	X	X		
	61693822	THERMISTER-66"	X	X	X	X	X
13	61718722	HUMIDITY SWITCH HARNESS ASSY		X	X	X	X
		PART IS NO LONGER AVAILABLE					

# EYEBROW ASSEMBLY - 600 SERIES

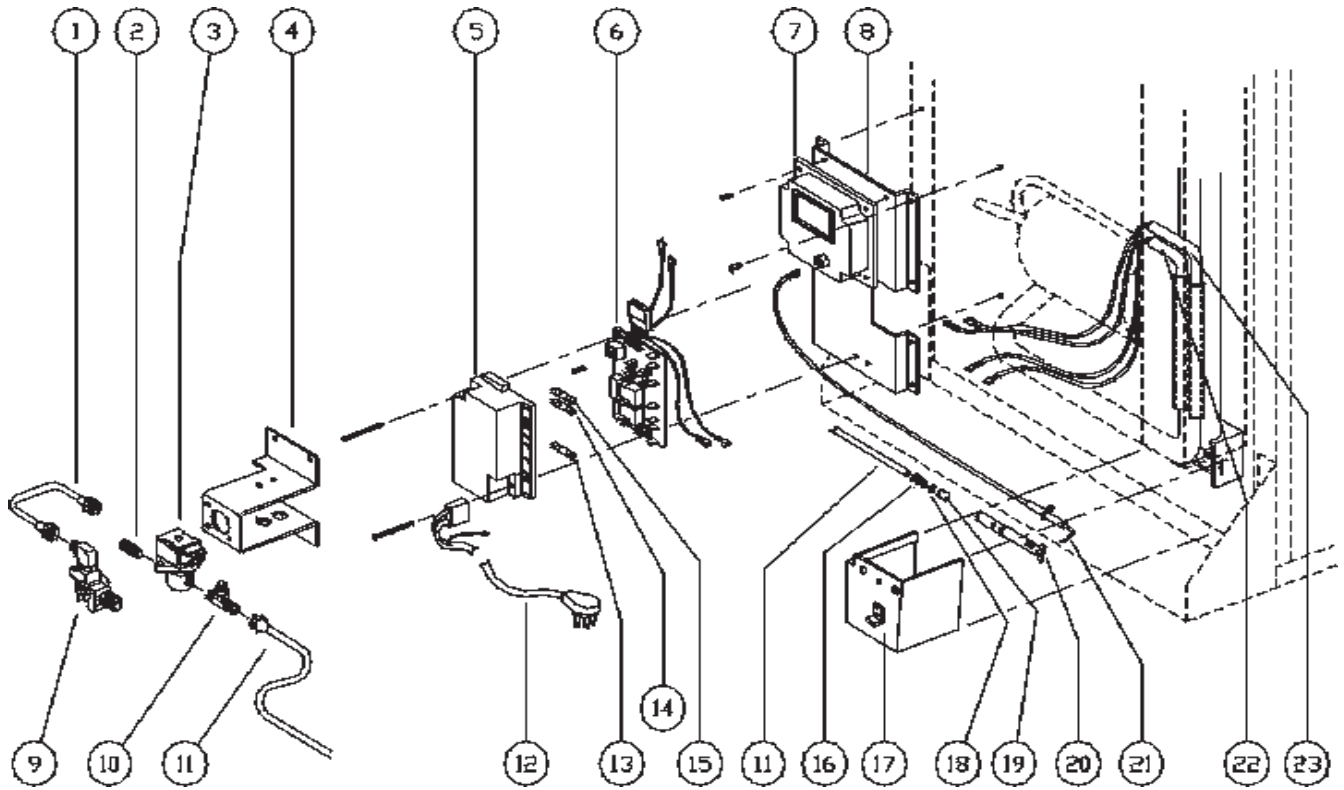


**Note:**  
Refrigerators beginning with the following serial numbers use eyebrow assemblies 61724138 and 61724038.

**662BK - 054765AMLTH3**  
**663BK - 020696ALLTH3**  
**682BK - 037049AKLTH3**  
**683BK - 016604AJLTH3**

NO.	PART #	DESCRIPTION	65	66	68	66IM	68IM
	61660937	EYEBROW ASSY-EG2 (PRODUCT MADE PRIOR TO AUGUST 1993)	EG2	EG2	EG2	EG2	EG2
	61724138	EYEBROW ASSY-EG2 (PRODUCT MADE AFTER JULY 1993)		EG2	EG2	EG2	EG2
	61661037	EYEBROW ASSY-EG3 (PRODUCT MADE PRIOR TO AUGUST 1993)	EG3	EG3	EG3	EG3	EG3
	61724038	EYEBROW ASSY-EG3 (PRODUCT MADE AFTER JULY 1993)		EG3	EG3	EG3	EG3
1	61669822	EYEBROW SHELL-EG2 (PRODUCT MADE PRIOR TO AUGUST 1993)	EG2	EG2	EG2	EG2	EG2
	61726622	EYEBROW SHELL-EG2 (PRODUCT MADE AFTER JULY 1993)		EG2	EG2		
	61669922	EYEBROW SHELL-EG3 (PRODUCT MADE PRIOR TO AUGUST 1993)	EG3	EG3	EG3	EG3	EG3
	61726722	EYEBROW SHELL-EG3 (PRODUCT MADE AFTER JULY 1993)		EG3	EG3		
2	61587422	THERMOSTAT BUTTON	X	X	X	X	X
3	61647322	PC BOARD-EG2/AT EYEBROW ASSY	EG2	EG2	EG2	EG2	EG2
	61647522	PC BOARD-EG3/AT EYEBROW ASSY	EG3	EG3	EG3	EG3	EG3
4	61571522	CABLE-GRAY/ 80"/PC BOARD TO POWER SUPPLY BOARD	X	X	X	X	X
5	61621122	THERMISTER-66" (USE 61693822)	X	X	X		
	61693822	THERMISTER-66"	X	X	X	X	X
6	61718722	HUMIDITY SWITCH HARNESS ASSY		X	X	X	X
7	61525922	ROCKER SWITCH-BLACK/3 POSITION (WITH 61724038/61724138)		X	X	X	X
		PART IS NO LONGER AVAILABLE					

# CONTROL ASSEMBLY - 600 SERIES - SINGLE ELECTRODE SERIES



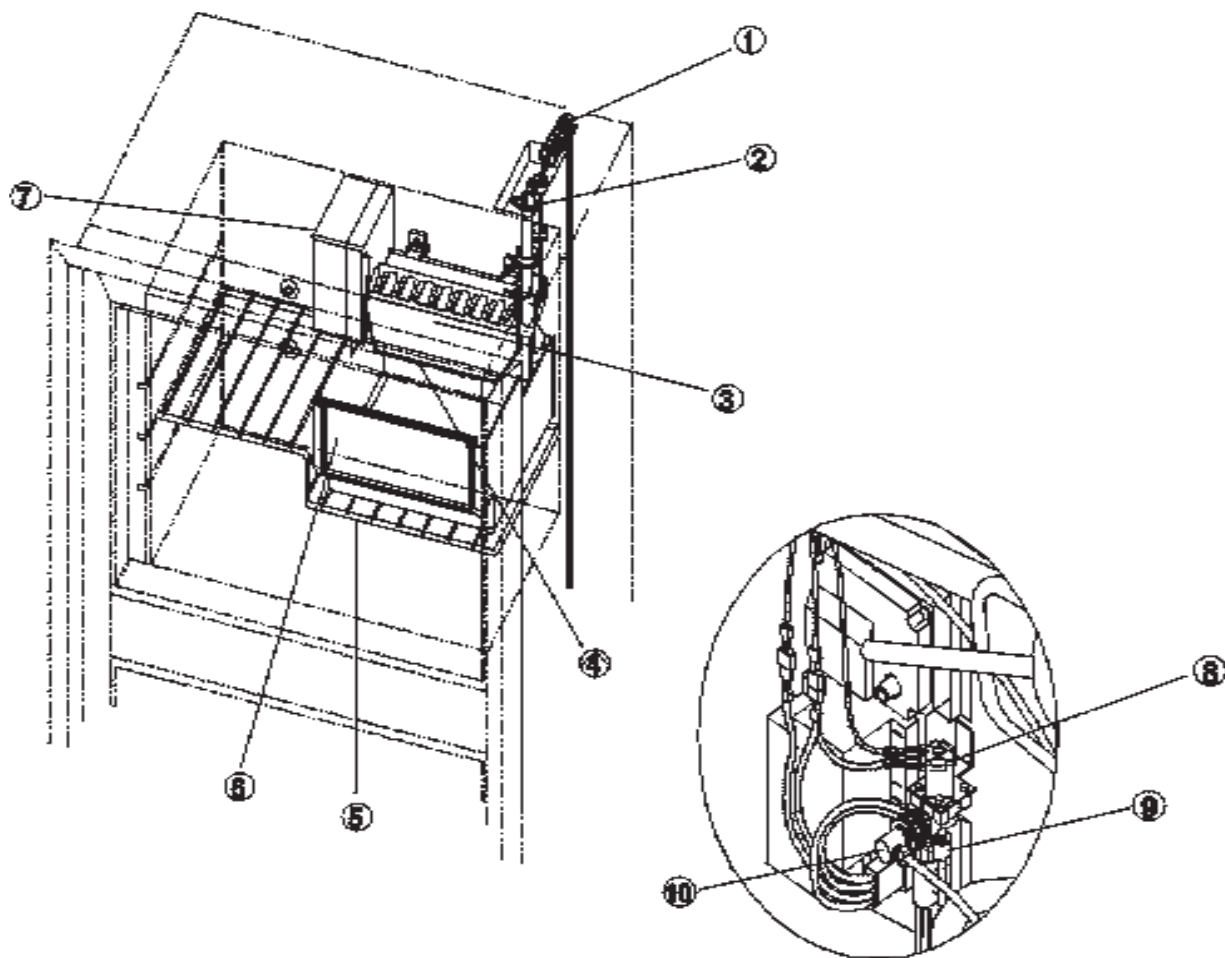
# CONTROL ASSEMBLY - 600 SERIES - SINGLE ELECTRODE SERIES

NO.	PART #	DESCRIPTION	65	66	68	66IM	68IM
	621446	KIT-GAS VALVE/BURNER TUBE/BURNER ASSY	X				
	621447	KIT-GAS VALVE/BURNER TUBE/BURNER ASSY		X	X	X	X
1	61694622	UNION TUBE	X	X	X	X	X
	61620922	UNION TUBE (EARLIER VERSION)	X	X	X	X	X
	61644522	UNION TUBE (EARLIER VERSION)	X	X	X		
2	61546822	CONNECTOR-MALE	X	X	X	X	X
3	61551822	GAS VALVE-ASCO (USE 621446/621447)	X	X	X	X	X
4	61694022	BRACKET-MOUNTING/GAS VALVE	X	X	X	X	X
5	61655622	COVER-POWER SUPPLY	X	X	X	X	X
6	618661	POWER SUPPLY BOARD-EG2	EG2	EG2	EG2	EG2	EG2
	618666	POWER SUPPLY BOARD-EG3	EG3	EG3	EG3	EG3	EG3
7	61717037	CONTROL MODULE ASSY-IGNITION/SINGLE ELECTRODE	X	X	X	X	X
8	61618922	BRACKET-CONTROL MOUNTING	X	X	X	X	X
9	61694922	MANUAL SHUT OFF VALVE ASSY-KINCO BALON (USE 621446/621447)	X	X	X	X	X
10	61594422	PRESSURE TAP	X	X	X	X	X
NS	61445322	PLUG-1/8"/FOR PRESSURE TAP (NOT SHOWN)	X	X	X	X	X
11	61695922	BURNER TUBE	X				
	61604722-A	BURNER TUBE-REVISION C/U TUBE		X	X	X	X
12	61554422	CORD-AC POWER/BLACK	X	X	X		
	618406	CORD-AC POWER/IM				X	X
13	61611622	FUSE-GLASS/5 AMP/110 VOLT	X	X	X	X	X
14	61446022	FUSE-GLASS/15 AMP/EG3	EG3				
	61440522	FUSE-GLASS/20 AMP		EG3	EG3	EG3	EG3
15	61538822	FUSE-GLASS/3 AMP (USE 61654622)	X	X	X	X	X
	61645622	FUSE-GLASS/3 AMP	X	X	X	X	X
16	61448622	FITTING-FOR BURNER TUBE (USE 61692622 & 61692722)	X	X	X		
	61692722	FITTING-GAS TUBE CONNECTION	X	X	X	X	X
	61692622	SLEEVE-BALL/.25"/TUBE COMPRESSION RING/BRASS	X	X	X	X	X
17	61712637	COVER ASSY-BURNER BOX	X	X	X	X	X
18	61475122	ORIFICE GASKET	X	X	X	X	X
19	618866	ORIFICE-LP14	X				
	618865	ORIFICE-LP16		X	X	X	X
20	61705222	BURNER ASSY-5 SLOT (USE 621955/621957)	X	X	X	X	X
	621955	KIT-SERVICE-BURNER/ORIFICE	X				
	621957	KIT-SERVICE-BURNER/ORIFICE		X	X	X	X
21	61692222	ELECTRODE-SPARK/SENSE/SINGLE ELECTRODE/0.25"	X	X	X	X	X
22	61562522	HEATER-AC/200W/110VAC	X				
	621702	HEATER-AC (COOLING UNIT SERIAL# 11231023 & BELOW)		X		X	
	621702	HEATER-AC (COOLING UNIT SERIAL# 11232007 & BELOW)			X		X
	630811	HEATER-AC/BACKER (COOLING UNIT SERIAL# 11231024 & ABOVE)		X		X	
	630811	HEATER-AC/BACKER (COOLING UNIT SERIAL# 11232008 & ABOVE)			X		X
23	61562622	HEATER-DC/150W/14VDC	EG3				
	623832	HEATER-DC (COOLING UNIT SERIAL# 11231023 & BELOW)		EG3		EG3	
	623832	HEATER-DC (COOLING UNIT SERIAL# 11232007 & BELOW)			EG3		EG3
	630812	HEATER-DC/BACKER (COOLING UNIT SERIAL# 11231024 & ABOVE)		EG3		EG3	
	630812	HEATER-DC/BACKER (COOLING UNIT SERIAL# 11232008 & ABOVE)			EG3		EG3

PART IS NO LONGER AVAILABLE



# ICE MAKER PARTS - 600 SERIES



NO.	PART #	DESCRIPTION	66IM
1	61676322	WIRING HARNESS-ICE MAKER (USE 618407)	X
	618407	WIRING HARNESS-IM	X
2	61660722	FITTING-WATER TUBE/IM (USE 620659)	X
	620659	FITTING-WATER TUBE/IM	X
3	633324	KIT-ICE MAKER	X
4	61656922	SHUT OFF ARM/IM	X
5	61710522	SHELF-WIRE/FREEZER/ICE MAKER (USE N/A 618058)	X
	61667722	SHELF-WIRE/LONG/ICE MAKER (USE N/A 618058)	X
	61674122	SHELF-WIRE/SHORT/ICE MAKER (USE N/A 618058)	X
	618058	SHELF-WIRE	X
6	618464	BIN-ICE BIN/WHITE/RELOCATED IM	X
	61688322	BIN-ICE/ICE MAKER/GRAY (USE 617761)	X
	617761	BIN-ICE/ICE MAKER/WHITE	X
7	61656822	COVER-FRONT/ICE MAKER	X
8	633325	KIT-WATER VALVE (USE 618253)	X
	618408	WATER VALVE-RELOCATED ICE MAKER (USE 633325)	X
9	61678722	NUT-COMPRESSION/WATER VALVE FITTING/IM (USE 622991)	X
	622991	NUT-COMPRESSION	X
10	618071	GARDEN HOSE ADAPTER-90 DEGREE/IM (USE 61679622)	X
	61679622	GARDEN HOSE ADAPTER-STRAIGHT/IM	X

PART IS NO LONGER AVAILABLE

# NORCOLD



## PARTS LIST

### 900 SERIES

962

962IM

963

963IM

982

982F

982IM

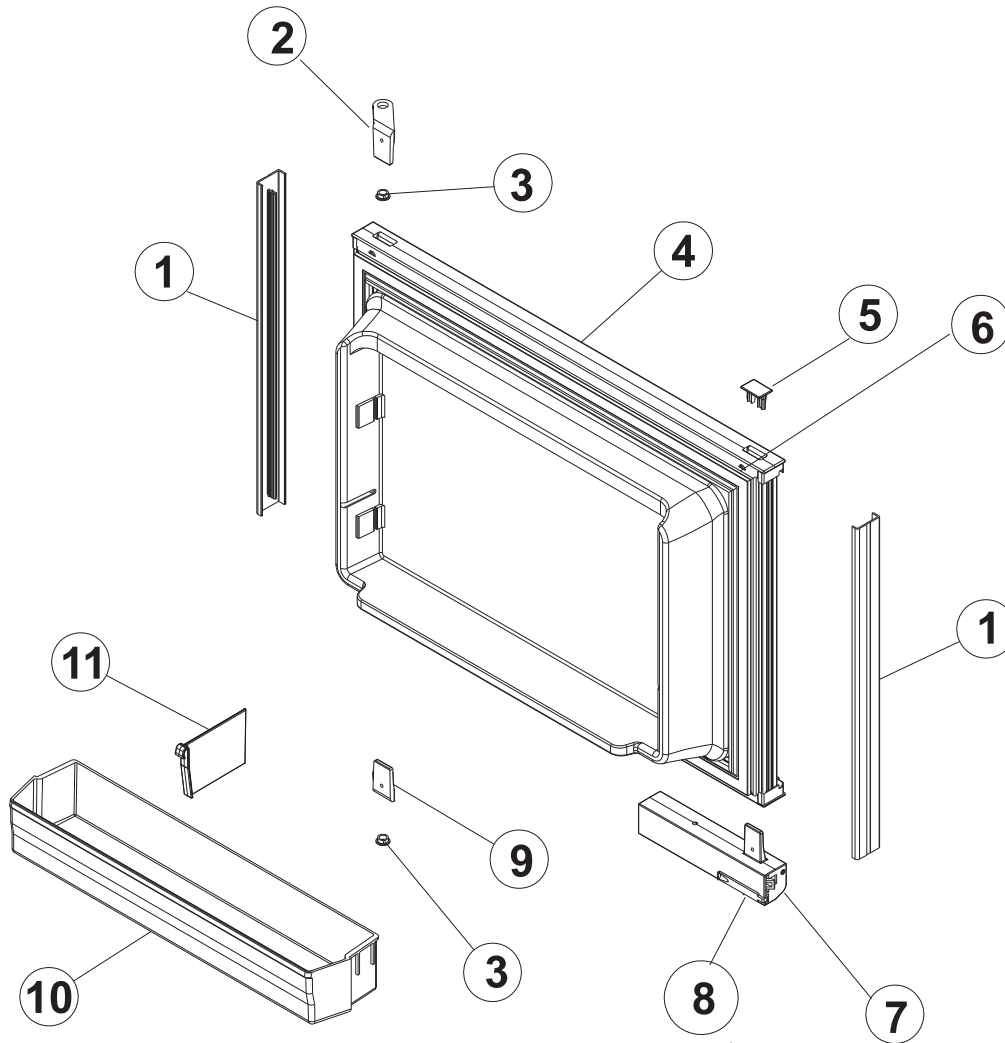
982FIM

983

983IM

PART NO.619701  
NORCOLD 11/03/2011

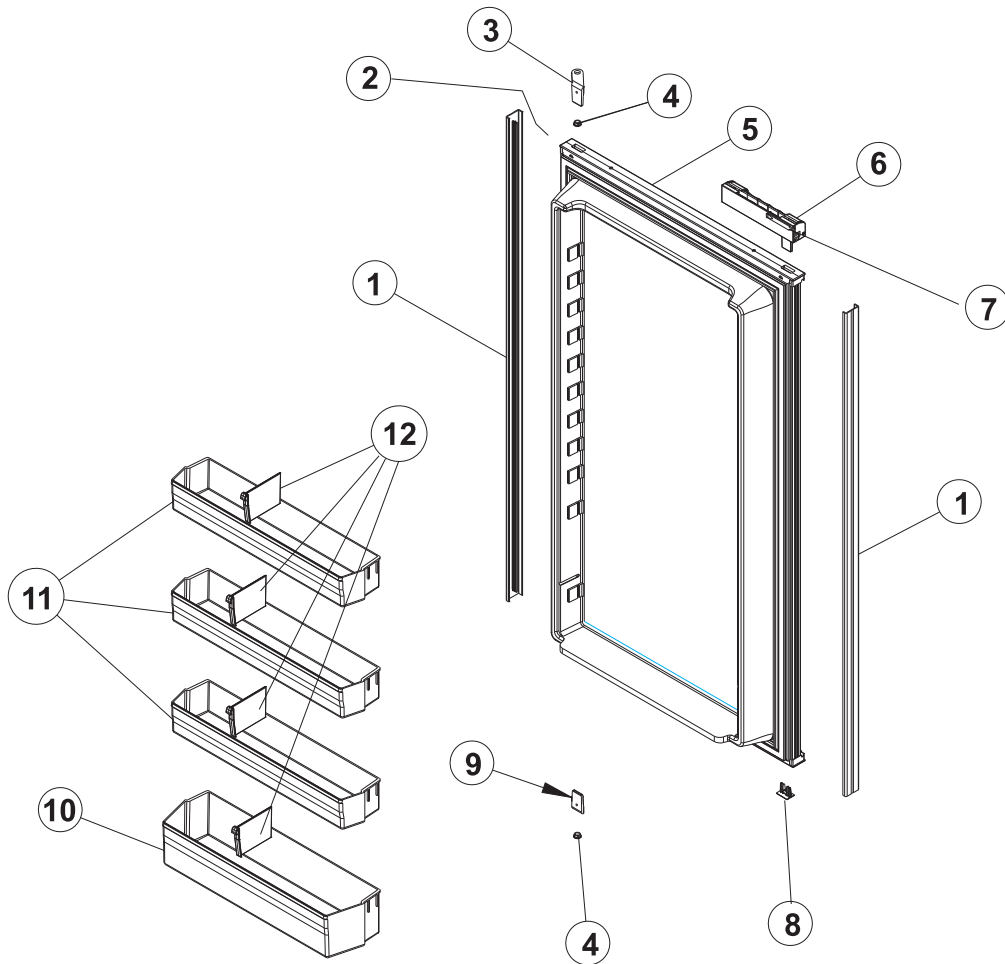
# DOOR - UPPER (FREEZER) - 900 SERIES



ART01183

NO.	PART #	DESCRIPTION	96	96IM	98	98IM
1	618128	PANEL RETAINER-UPPER DOOR	X	X	X	X
2	618511	HINGE-DOOR SIDE/TOP RH/BTM LH/BLACK	X	X	X	X
3	618144	HINGE BUSHING-DOOR HINGE/BLACK	X	X	X	X
4	618205	DOOR LINER ASSY-UPPER/GRAY DOOR GASKET	X	X	X	X
	620076	DOOR LINER ASSY-UPPER/WHITE DOOR GASKET (USE 619627)	X	X	X	X
5	618160	CAP-HINGE PLUG/BLACK	X	X	X	X
6	619569	BOLT-CAP SHOULDER/TORX HEAD	X	X	X	X
7	618235	DOOR HANDLE ASSY-UPPER DOOR/RH SWING/BLACK (USE 619574)	X	X	X	X
8	618119	STORAGE LATCH-DOOR/BLACK (USE 619648)	X	X	X	X
9	618510	HINGE-DOOR SIDE/TOP LH/BTM RH/BLACK	X	X	X	X
10	619006	BIN-DOOR SHELF/SMALL/CLEAR	X	X	X	X
11	619008	DIVIDER-DOOR BIN/CLEAR	X	X	X	X

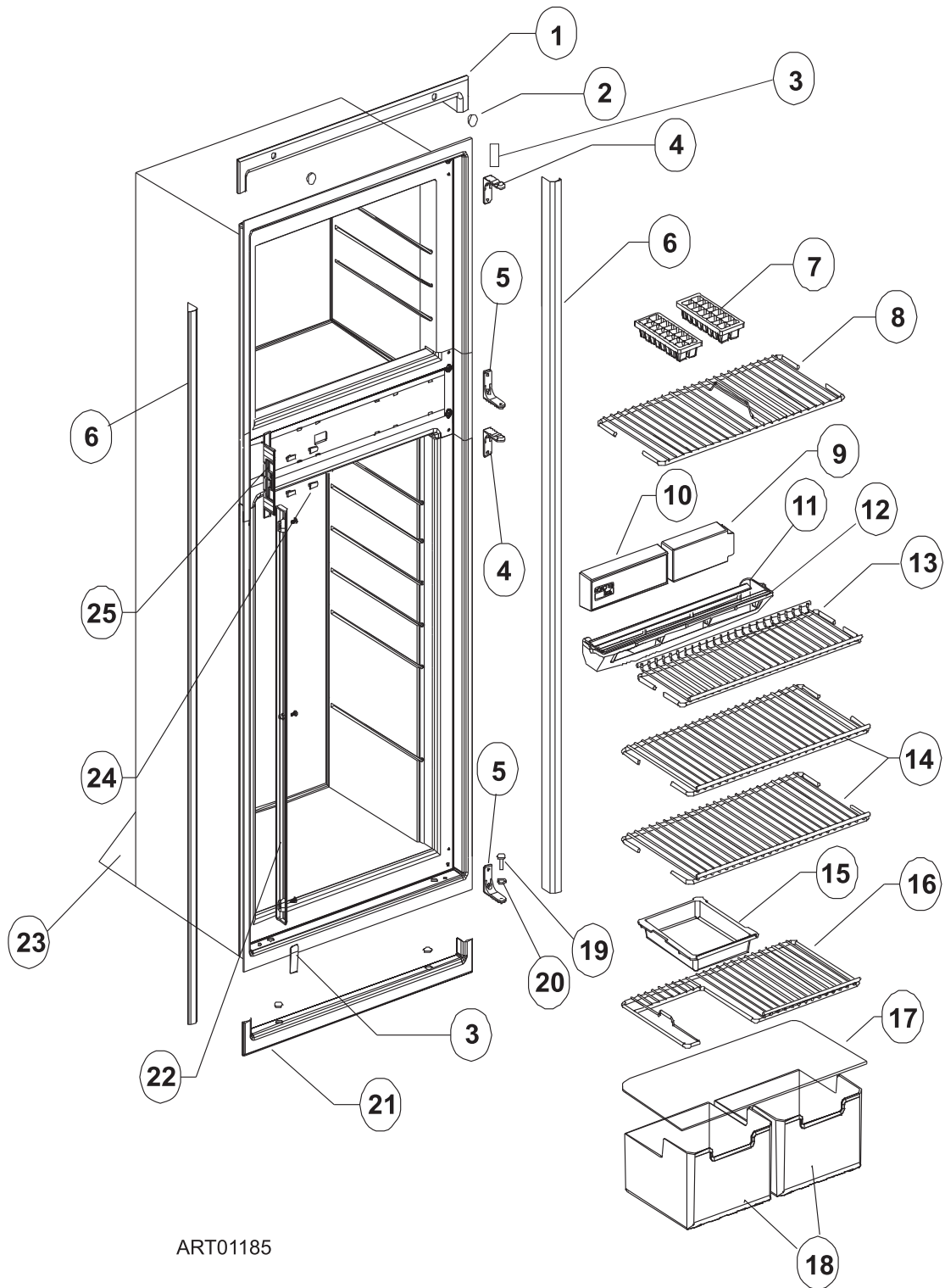
# DOOR - LOWER (FRESH FOOD) - 900 SERIES



ART01184

NO.	PART #	DESCRIPTION	96	96IM	98	98IM
1	618132	PANEL RETAINER-LOWER DOOR	X	X		
	618129	PANEL RETAINER-LOWER DOOR			X	X
2	619569	BOLT-CAP SHOULDER/TORX HEAD	X	X	X	X
3	618511	HINGE-DOOR SIDE/TOP RH/BTM LH/BLACK	X	X	X	X
4	618144	HINGE BUSHING-DOOR HINGE/BLACK	X	X	X	X
5	618210	DOOR LINER ASSY-LOWER/6 FT/GRAY DOOR GASKET	X	X		
	620077	DOOR LINER ASSY-LOWER/6 FT/WHITE DR GASKET (USE 619629)	X	X		
	618270	DOOR LINER ASSY-LOWER/8 FT/GRAY DOOR GASKET (USE 630255)			X	X
	620081	DOOR LINER ASSY-LOWER/8 FT/WHITE DR GASKET (USE 619631)			X	X
6	618230	DOOR HANDLE ASSY-LOWER DOOR/RH SWING/BLACK (USE 619573)	X	X	X	X
7	618119	STORAGE LATCH-DOOR/BLACK (USE 619648)	X	X	X	X
8	618160	CAP-HINGE PLUG/BLACK	X	X	X	X
9	618510	HINGE-DOOR SIDE/TOP LH/BTM RH/BLACK	X	X	X	X
10	619005	BIN-DOOR SHELF/LARGE/CLEAR	X	X	X	X
11	619006	BIN-DOOR SHELF/SMALL/CLEAR	X	X	X	X
12	619008	DIVIDER-DOOR BIN/CLEAR	X	X	X	X

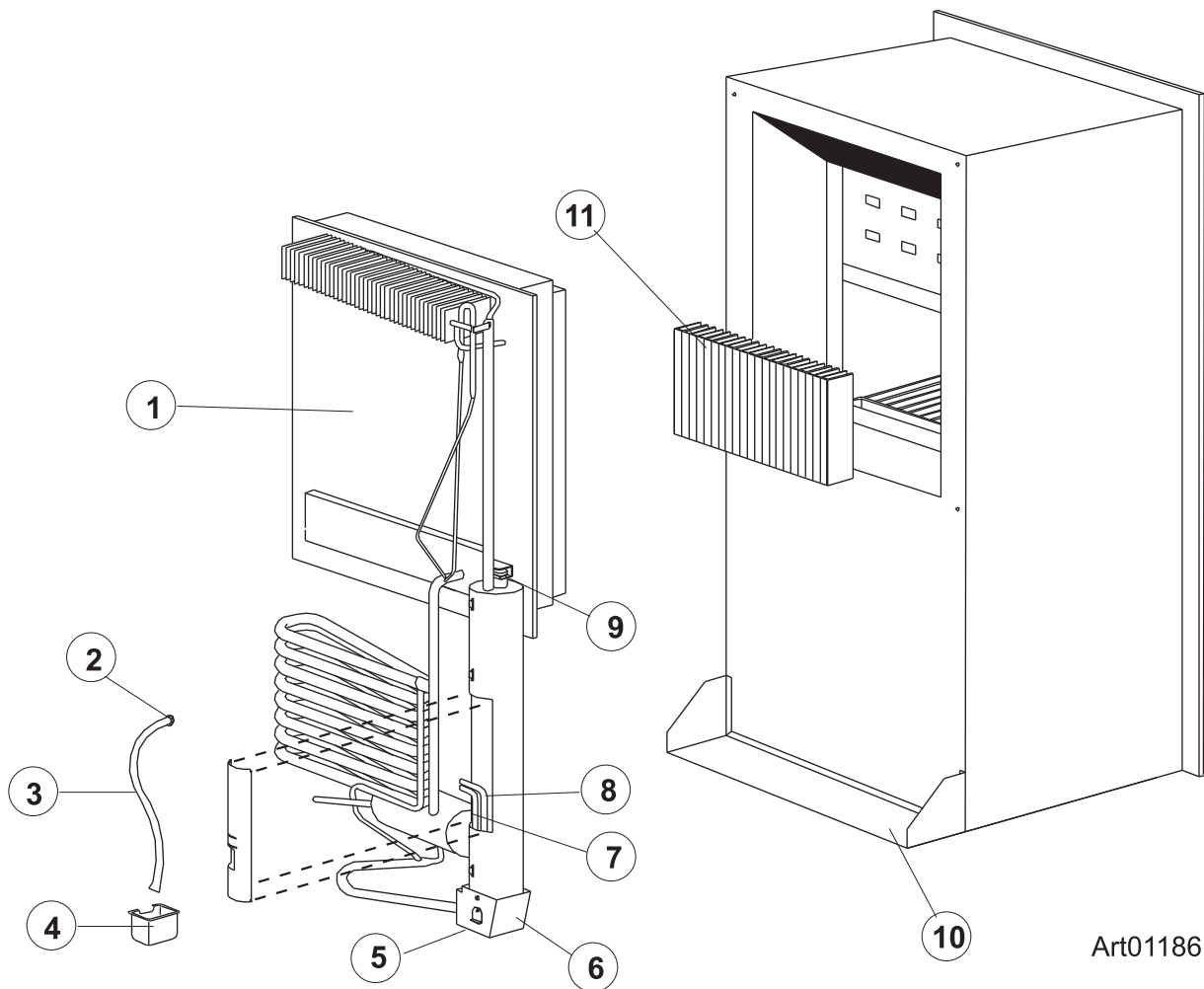
# CABINET ASSEMBLY - FRONT VIEW - 900 SERIES



## CABINET ASSEMBLY - FRONT VIEW - 900 SERIES

NO.	PART #	DESCRIPTION	96	96IM	98	98IM
1	618124	TRIM PIECE-CABINET/TOP/WITHOUT BRASS INSERTS	X	X	X	X
	619687	TRIM PIECE ASSY-TOP/WITH INSERTS/BLACK (USE 622319)	X	X	X	X
2	618170	HOLE PLUG-FOR TOP TRIM PIECE/BLACK	X	X	X	X
3	618171	COVER-HINGE HOLE/WHITE/2 POINT	X	X	X	X
	619301	COVER-HINGE HOLE/WHITE/3 POINT	X	X	X	X
4	618988	HINGE-CABINET SIDE/FREEZER/SLOTTED/PAINTED	X	X	X	X
	619336	HINGE-CABINET/3 POINT/TOP LH/BTM RH/BLACK	X	X	X	X
5	618988	HINGE-CABINET SIDE/FREEZER/SLOTTED/PAINTED	X	X	X	X
	619335	HINGE-CABINET/3 POINT/TOP RH/BTM LH/BLACK	X	X	X	X
6	618133	TRIM PIECE-CABINET/SIDE/6' (USE 622295)	X	X		
	618134	TRIM PIECE-CABINET/SIDE/8' (USE 622296)			X	X
7	61630422	ICE CUBE TRAY-PLASTIC	X		X	
8	618172	SHELF-WIRE/FREEZER (USE 620249)	X	X	X	X
9	618112	FRONT BOX	X	X	X	X
10	618245	CONTROL ASSY-OPTICAL/900 SERIES (USE 625386 FOR EG2/ 625387 FOR EG3)	X	X	X	X
11	618176	LOUVER-DRIP TRAY/WHITE (USE 623250)	X	X	X	X
12	618137	DRIP TRAY-INSIDE (USE 623250)	X	X	X	X
13	618239	SHELF-WIRE/SHORT (USE 620269)	X	X	X	X
14	618114	SHELF-WIRE/FULL (USE 620270)	X	X	X	X
15	617756	TRAY-SHELF/WHITE/CUT OUT	X	X	X	X
16	618177	SHELF-WIRE/CUT OUT (USE 620268)	X	X	X	X
17	618158	CRISPER COVER-GLASS SHELF	X	X	X	X
18	619007	BIN-ICE/CRISPER/CLEAR	X	X	X	X
19	618145	HINGE PIN-DOOR	X	X	X	X
20	618144	HINGE BUSHING-DOOR HINGE/BLACK	X	X	X	X
21	618136	TRIM PIECE-CABINET/BOTTOM (USE 622323)	X	X	X	X
22	618181	RETAINER-SHELF	X	X	X	X
23	61586722	BRACE-CABINET/BACK	X	X	X	X
24	618184	PLUG-FACADE/BLACK	X	X	X	X
	619381	HOLE PLUG-DIVIDER/BLACK	X	X	X	X
25	618167	STRIKE PLATE-BLACK	X	X	X	X

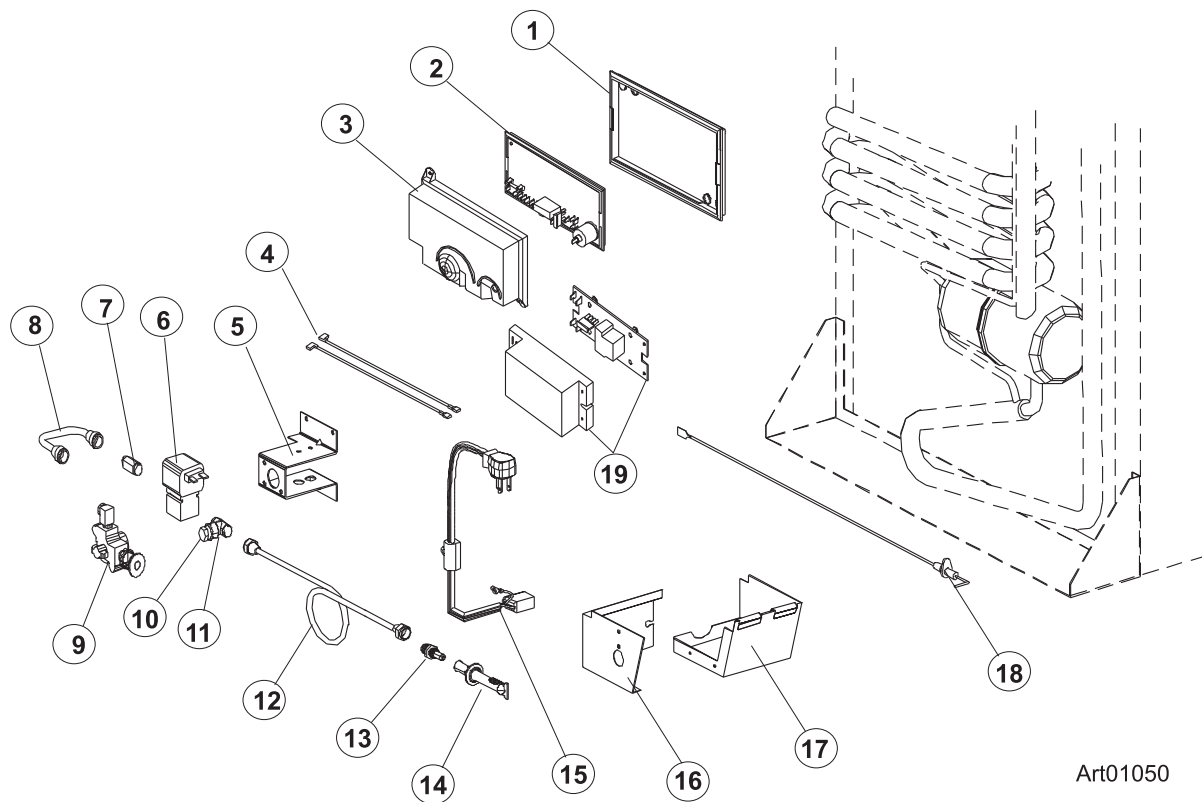
# CABINET ASSEMBLY - REAR VIEW - COOLING UNIT AREA - 900 SERIES



Art01186

NO.	PART #	DESCRIPTION	96	96IM	98	98IM
1	632307	NSC SYSTEM PACK-COOLING UNIT (BACKER HEATER)	X	X		
	632314	NSC SYSTEM PACK-COOLING UNIT (BACKER HEATER)			X	X
NS	618111	BAFFLE DIFFUSER/WIRE ASSY-COOLING UNIT (NOT SHOWN)	X	X	X	X
2	61505122	HOSE CLAMP	X	X	X	X
3	618217	DRAIN HOSE-26" (USE 622390)	X	X		
	618242	DRAIN HOSE-32" (USE 622391)			X	X
4	61710922	DRIP CUP-REAR/METAL (USE 622546)	X	X	X	X
5	61712637	COVER ASSY-BURNER BOX	X	X	X	X
6	61695322	BASE-BURNER BOX	X	X	X	X
7	621702	HEATER-AC/96 SERIES (COOLING UNIT SERIAL# 11231023 & BELOW)	X	X		
		HEATER-AC/98 SERIES (COOLING UNIT SERIAL# 11232007 & BELOW)			X	X
	630811	HEATER-AC/BACKER/96 SERIES (COOLING UNIT SERIAL# 11231024 & ABOVE)	X	X		
		HEATER-AC/BACKER/98 SERIES (COOLING UNIT SERIAL# 11232008 & ABOVE)			X	X
8	626832	HEATER-DC/96 SERIES (COOLING UNIT SERIAL# 11231023 & BELOW)	EG3	EG3		
		HEATER-DC/98 SERIES (COOLING UNIT SERIAL# 11232007 & BELOW)			EG3	EG3
	630812	HEATER-DC/BACKER/96 SERIES (COOLING UNIT SERIAL# 11231024 & ABOVE)	EG3	EG3		
		HEATER-DC/BACKER/98 SERIES (COOLING UNIT SERIAL# 11232008 & ABOVE)			EG3	EG3
9	61695022	CAP-HEAT DEFLECTOR	X	X	X	X
10	61586722	BRACE-CABINET/BACK	X	X	X	X
11	61686823	FINS	X	X	X	X

# CONTROLS - REAR VIEW - 900 SERIES



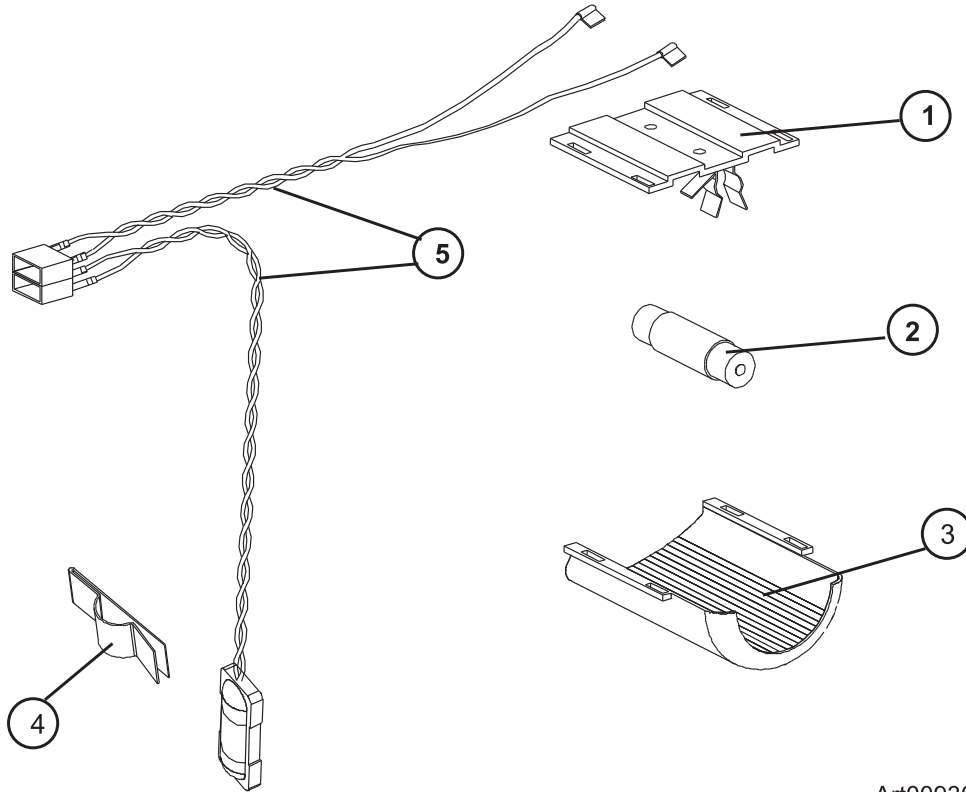
Art01050

NO.	PART #	DESCRIPTION	96	96IM	98	98IM
1	618186	BASE-POWER BOARD	X	X	X	X
2	618198	POWER BOARD-EG2 (USE 625386)	EG2	EG2	EG2	EG2
	618224	POWER BOARD-EG3 (USE 625387)	EG3	EG3	EG3	EG3
3	618185	COVER-POWER SUPPLY	X	X	X	X
4	618287	WIRE-WHITE/6"/GAS VALVE (USE 621448)	X	X	X	X
5	61694022	BRACKET-MOUNTING/GAS VALVE	X	X	X	X
6	61551822	GAS VALVE-ASCO (USE 621444)	X	X	X	X
	621444	KIT-GAS VALVE/BURNER TUBE ASSY	X	X	X	X
7	61546822	CONNECTOR-MALE (NOT SHOWN)	X	X	X	X
8	61694622	UNION TUBE (NOT SHOWN)	X	X	X	X
9	61694922	MANUAL SHUT OFF VALVE ASSY-KINCO BALON (USE 621444)	X	X	X	X
10	61445322	PLUG-1/8"/FOR PRESSURE TAP	X	X	X	X
11	61594422	PRESSURE TAP	X	X	X	X
12	618252	BURNER TUBE	X	X	X	X
13	618283	ORIFICE-JEWEL/ED/.015" (USE 621957)	X	X		
	618284	ORIFICE-JEWEL/ED/.0155" (USE 621957)			X	X
14	61705222	BURNER ASSY-5 SLOT (USE 621957)	X	X	X	X
15	61554422	CORD-AC POWER/BLACK	X		X	
	618406	CORD-AC POWER/IM		IM		IM
16	61712637	COVER ASSY-BURNER BOX	X	X	X	X
17	61695322	BASE-BURNER BOX	X	X	X	X
18	61692222	ELECTRODE-SPARK/SENSE/SINGLE ELECTRODE/0.25"	X	X	X	X
19	618516	DAUGHTER BOARD-EG3 (NOT SHOWN)(USE 625387)	EG3	EG3	EG3	EG3
NS	618606	WIRE-EG3/12 VOLT (NOT SHOWN)	EG3	EG3	EG3	EG3
NS	618602	WIRE-EG3/GROUND (NOT SHOWN)	EG3	EG3	EG3	EG3
NS	618605	WIRE-EG3/SENSE (NOT SHOWN)	EG3	EG3	EG3	EG3

PART IS NO LONGER AVAILABLE



**INTERIOR LIGHT & THERMISTER ASSEMBLY - 900 SERIES**

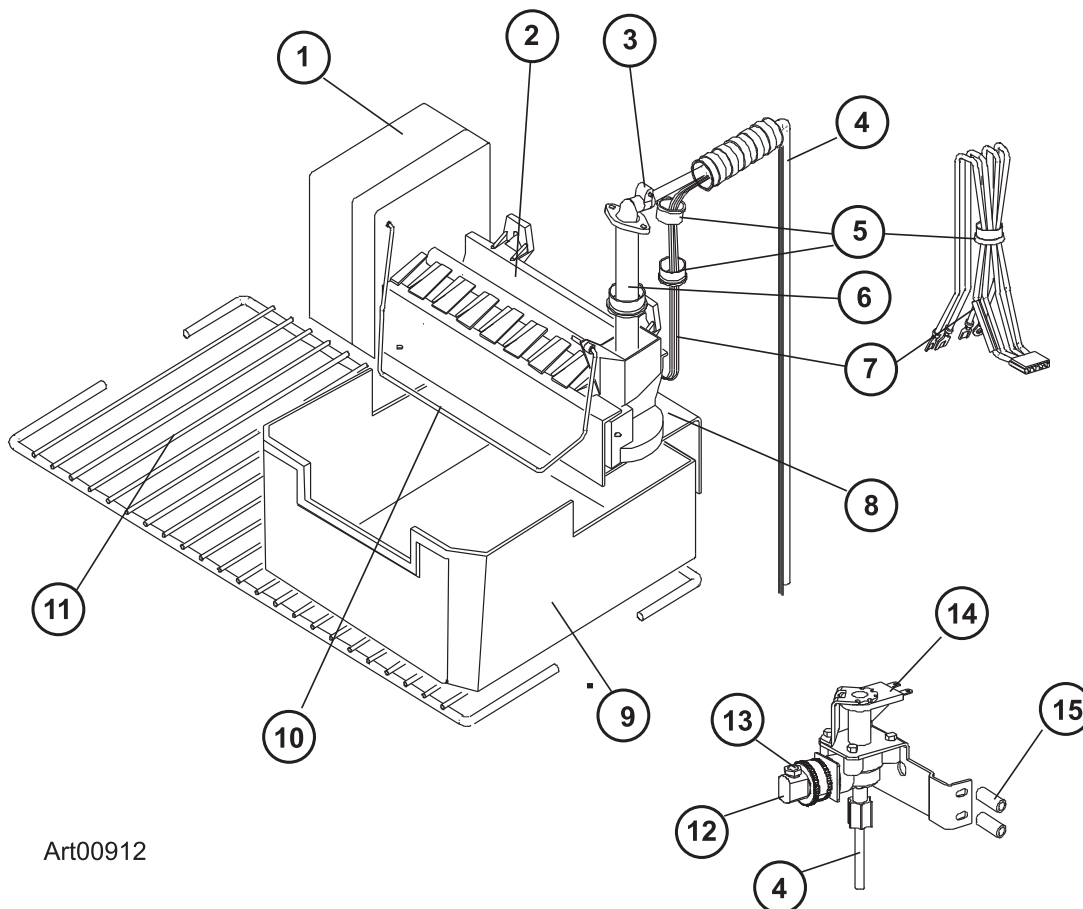


Art00930A

NO.	PART #	DESCRIPTION	96	96IM	98	98IM
1	61629722	LAMP BRACKET ASSY	X	X	X	X
2	632545	LAMP-DC LIGHT BULB	X	X	X	X
3	618190	COVER-LAMP BRACKET (USE 621827)	X	X	X	X
4	633734	CLIP-THERMISTER MOUNTING/FIN	X	X	X	X
5	618548	LAMP THERMISTER WIRE ASSY	X	X	X	X

Continued on Page 13

# ICE MAKER PARTS - 900 SERIES



Art00912

NO.	PART #	DESCRIPTION	96IM	98IM
1	61656822	COVER-FRONT/ICE MAKER	IM	IM
2	633324	KIT-ICE MAKER	IM	IM
3	61690822	CLAMP-TUBING/IM	IM	IM
4	617869	TUBE-WATER FEED/IM/68" (USE 621429)	IM	IM
5	61346822	SNAP BUSHING	IM	IM
6	620038	FITTING-WATER TUBE/IM/4.63" (USE 620659)	IM	IM
7	618407	WIRING HARNESS-IM	IM	IM
8	617831	BRACKET-MOUNTING/ICE MAKER/RELOCATED	IM	IM
9	619007	BIN-ICE/CRISPER/CLEAR	IM	IM
10	61656922	SHUT OFF ARM/IM	IM	IM
11	618172	SHELF-WIRE/FREEZER (USE 632445)	IM	IM
12	61679622	GARDEN HOSE ADAPTER-STRAIGHT/IM	IM	IM
13	61678722	NUT-COMPRESSION/WATER VALVE FITTING/IM (USE 622991)	IM	IM
14	633325	KIT-WATER VALVE/SINGLE PORT	IM	IM
15	618169	SPACER-WATER VALVE/NYLON	IM	IM

## FAN MODEL PARTS - 982F, 982FIM

PART #	DESCRIPTION	982F	982FIM
618857	BRACKET-DC FAN	F	F
619016	BRACKET-FAN SUPPORT	F	F
61417922	CABLE TIE-NYLON	F	F
618856	FAN-EXTERNAL DC	F	F
618093	THERMOSTAT-DC FAN/THERMO DISC	F	F
618950	WIRE MOUNT-ADHESIVE	F	F
618700	WIRE-BLACK/24"/18 GA	F	F
619017	WIRE-BLACK/6"/18 GA	F	F
618701	WIRE-RED/36"/18 GA	F	F
618978	WIRE-RED/6"/18 GA/12V FAN	F	F
618699	WIRE-RED/60"/18 GA/WITH FUSE HOLDER	F	F



# PARTS LIST 1200 SERIES

## ALL ELECTRIC MODELS

1200AC  
1200ACIM  
1200ACIMD  
1200ACIMBK  
1200ACIMBKD  
1200ACIMSS  
1200ACIMSSD

## GAS ELECTRIC MODELS

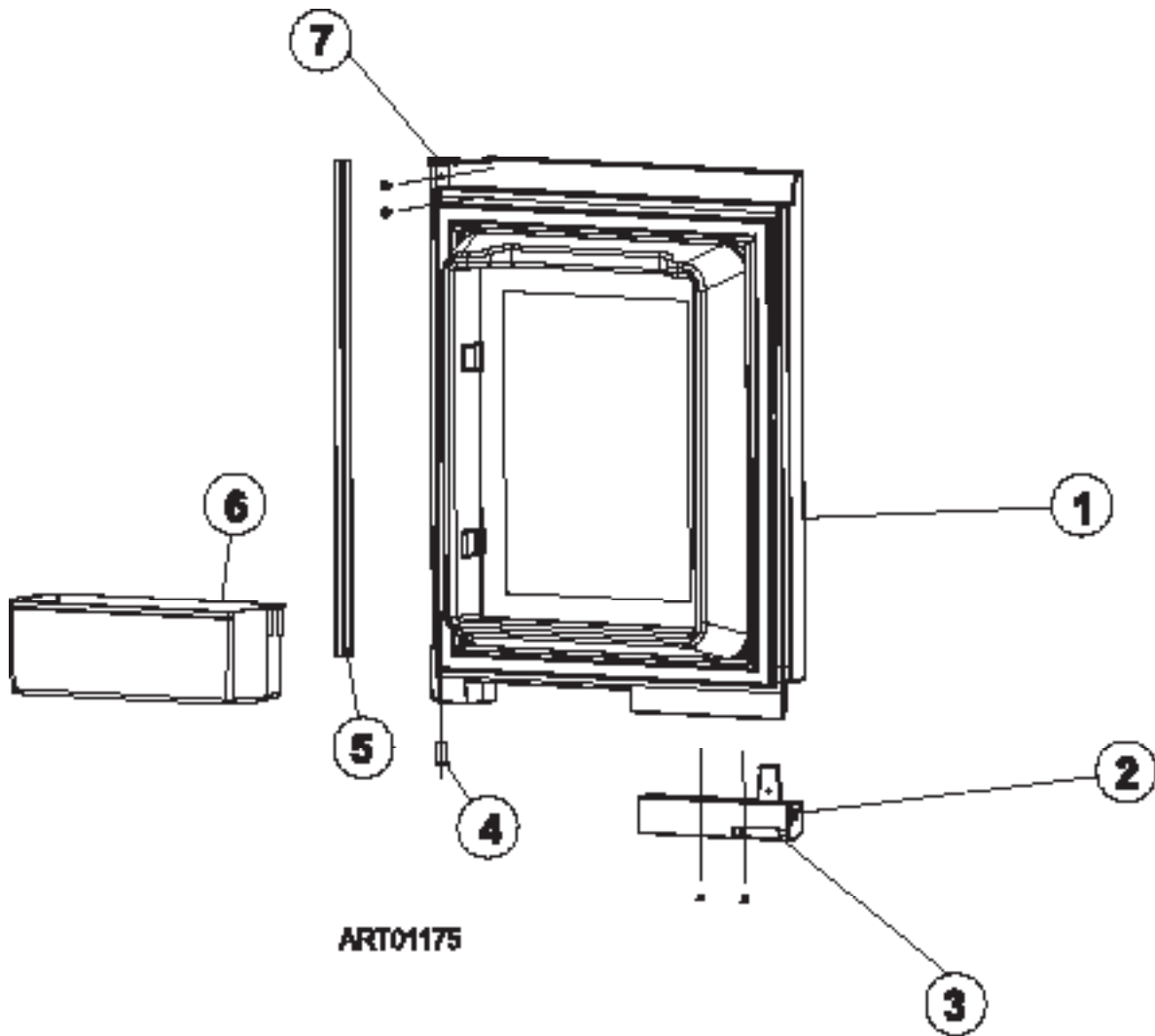
1200LR  
1200LRBK  
1200LRSS  
1200LRWH  
1200LRIM  
1200LRIMD  
1200LRIMBK  
1200LRIMBKD  
1200LRIMSS  
1200LRIMSSD  
1200LRIMWH  
1201LRIM  
1201LRIMSS  
1201LRIMSSD  
1201LRIMWPM

## MODEL IDENTIFICATION CODES

AC = ALL ELECTRIC MODELS  
LR = GAS/ELECTRIC MODELS  
IM = ICE MAKER MODELS  
BK = BLACK WRAPPED DOOR MODELS  
SS = STAINLESS STEEL WRAPPED DOOR MODELS  
WH = WHITE WRAPPED DOOR MODELS  
WPM = PEWTER ROYCE WRAPPED DOOR MODELS  
D = WATER DISPENSER MODELS

PART NO. 619700  
NORCOLD 09/20/2017

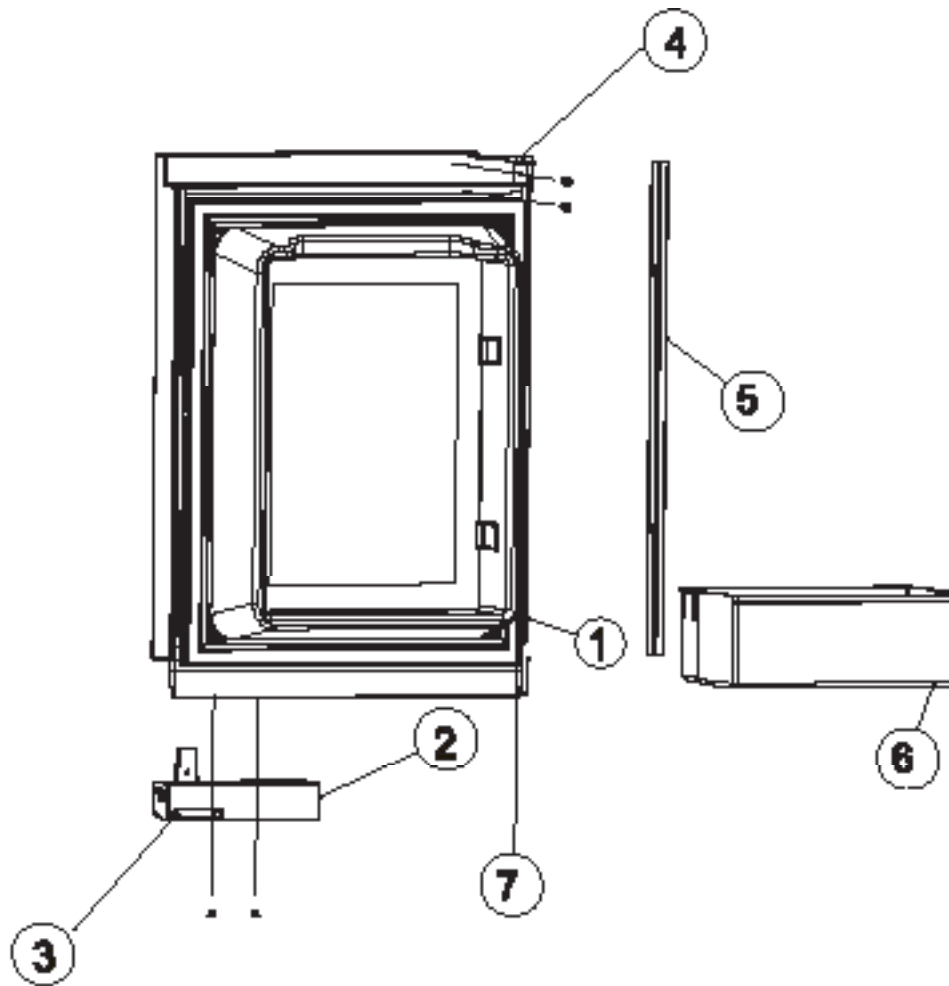
# DOOR ASSEMBLY - UPPER RH - 1200 SERIES (PANEL DOORS)



ART01175

NO.	PART #	DESCRIPTION	1200AC SERIES	1200LR SERIES	1201LR SERIES
1	627603	DOOR LINER ASSY-UPPER/RH/BLACK GASKET (SERIAL # 1291391 T& ABOVE)	X	X	X
	627970	DOOR LINER ASSY-UPPER/RH/WHITE GASKET (SERIAL # 540295 TO 1291390)		X	X
	627971	DOOR LINER ASSY-UPPER/RH/GRAY GASKET (SERIAL # 300000 TO 540294)		X	
2	622315	DOOR HANDLE ASSY (SERIAL # 8254600 & ABOVE)	X	X	
	619574	DOOR HANDLE ASSY (SERIAL # 300000 TO 8254599)	X	X	
	621106	DOOR HANDLE ASSY (SERIAL # 300000 & ABOVE)			X
3	619374	STORAGE LATCH-DOOR/BLACK/POINTED (SERIAL # 300000 TO 8254600)	X	X	X
4	618746	HINGE BUSHING-MIDDLE	X	X	X
5	623166	PANEL RETAINER-UPPER (1 PER DOOR)	X	X	X
6	622831	BIN-DOOR SHELF (1 PER DOOR)	X	X	X
7	618792	HINGE-DOOR	X	X	X

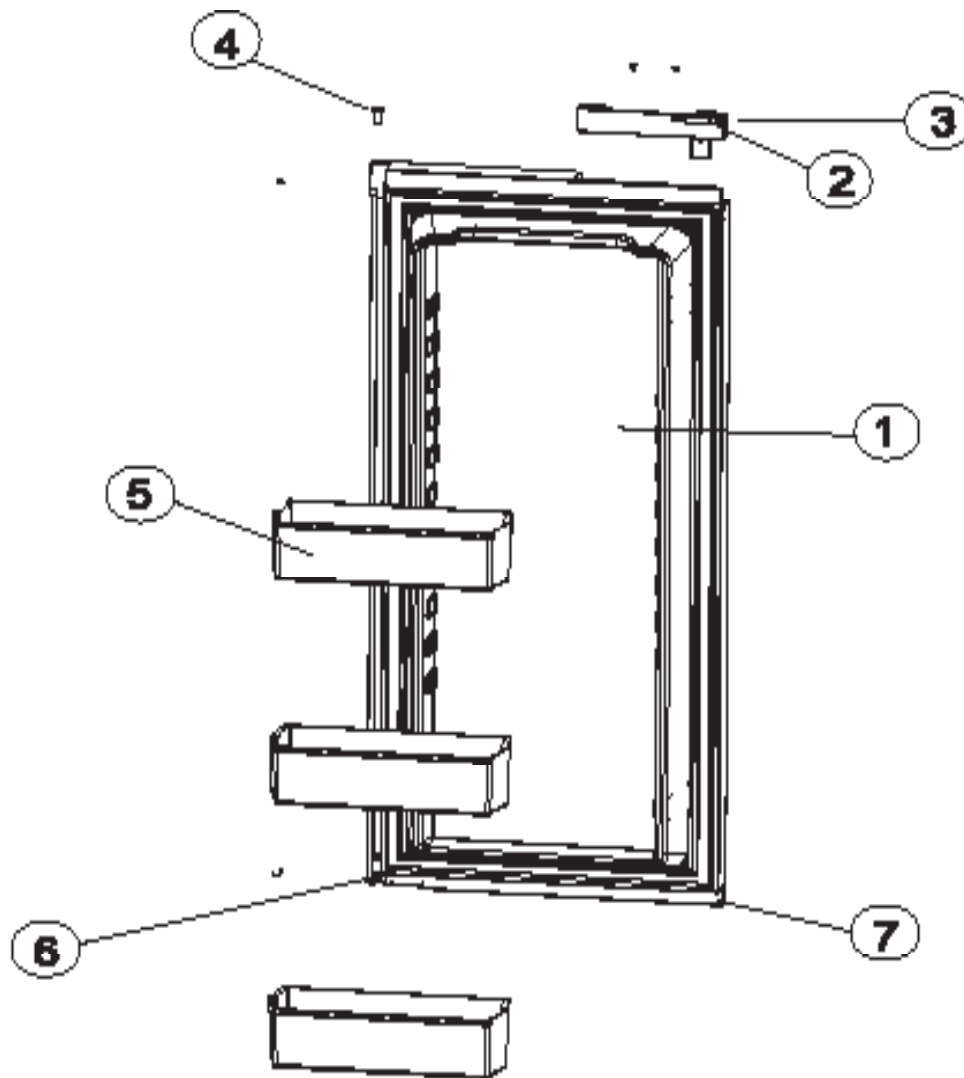
# DOOR ASSEMBLY - UPPER LH - 1200 SERIES (PANEL DOORS)



ART01176

NO.	PART #	DESCRIPTION	1200AC SERIES	1200LR SERIES	1201LR SERIES
1	627601	DOOR LINER ASSY-BLACK GASKET (SERIAL # 1291391 & ABOVE)	X	X	X
	627960	DOOR LINER ASSY-WHITE GASKET (SERIAL # 540295 TO 1291390)		X	X
	627961	DOOR LINER ASSY-GRAY GASKET (SERIAL # 300000 TO 540294)		X	
	627602	DOOR LINER ASSY-DISPENSER MODELS (SERIAL # 1319557 & ABOVE)	X	X	
2	622316	DOOR HANDLE ASSY (SERIAL # 8254600 & ABOVE)	X	X	
	619573	DOOR HANDLE ASSY (SERIAL # 300000 TO 8254600)	X	X	
	621107	DOOR HANDLE ASSY (SERIAL # 300000 & ABOVE)			X
3	619374	STORAGE LATCH-DOOR/BLACK/POINTED (SERIAL # 300000 TO 8254600)	X	X	X
4	618792	HINGE-DOOR	X	X	X
5	623166	PANEL RETAINER-UPPER (1 PER DOOR)	X	X	X
6	622831	BIN-DOOR SHELF (1 PER DOOR)	X	X	X
7	618746	HINGE BUSHING-MIDDLE	X	X	X

# DOOR ASSEMBLY - LOWER RH - 1200 SERIES (PANEL DOORS)

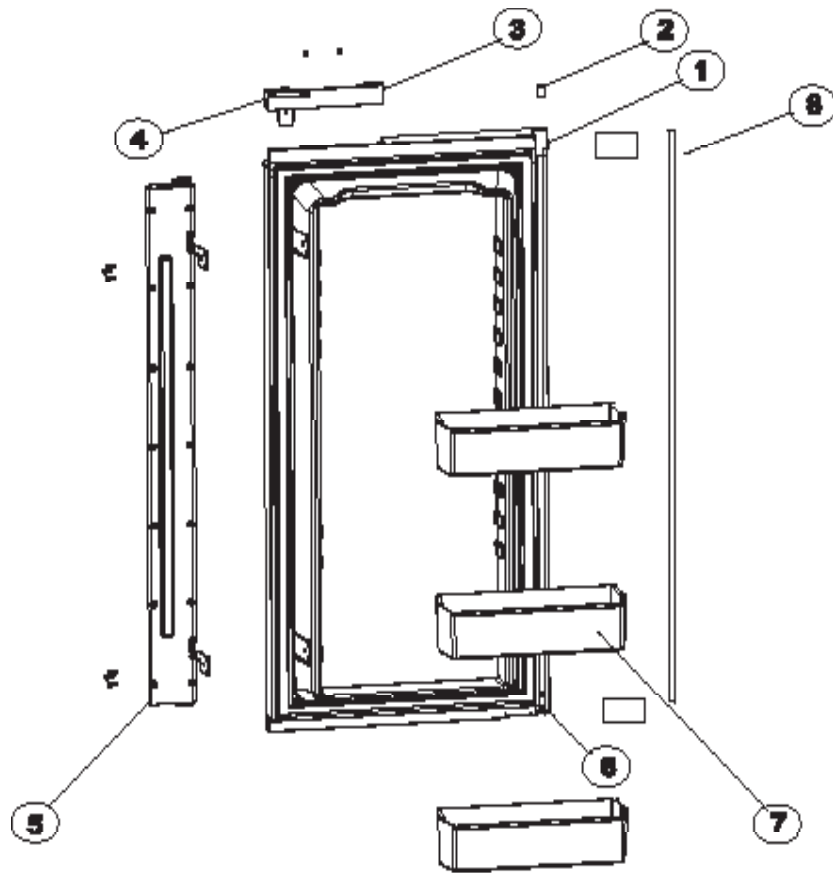


## ART01174

NO.	PART #	DESCRIPTION	1200AC SERIES	1200LR SERIES	1201LR SERIES
1	627600	DOOR ASSY-BLACK GASKET (SERIAL # 1291391 & ABOVE)	X		
	627991	DOOR ASSY-BLACK GASKET (SERIAL # 1291391 & ABOVE)		X	X
	627992	DOOR ASSY-WHITE GASKET (SERIAL # 540295 TO 1291390)		X	X
	627993	DOOR ASSY-LOWER/RH/GRAY GASKET (SERIAL # 300000 TO 540294)		X	
2	622316	DOOR HANDLE ASSY (SERIAL # 8254600 & ABOVE)	X	X	
	619573	DOOR HANDLE ASSY (SERIAL # 300000 TO 8254600)	X	X	
	621107	DOOR HANDLE ASSY (SERIAL # 300000 & ABOVE)			X
3	619374	STORAGE LATCH-DOOR/BLACK/POINTED (SERIAL # 300000 TO 8254600)	X	X	X
4	618746	HINGE BUSHING-MIDDLE	X	X	X
5	622831	BIN-DOOR SHELF (3 PER DOOR)	X	X	X
6	618792	HINGE-DOOR/UPPER/WITHOUT PIN (SERIAL # 300000 TO 8254600)	X	X	X
	627289	HINGE-DOOR/LOWER/WITH PIN (SERIAL # 8254600 & ABOVE)	X	X	X
7	623167	PANEL RETAINER-LOWER (1 PER DOOR)	X	X	X
NS	625129	KIT-DOOR SAG REPAIR (LOWER DOORS))	X	X	X

NS = NOT SHOWN

# DOOR ASSEMBLY - LOWER LH - 1200 SERIES (PANEL DOORS)



ART01173

NO.	PART #	DESCRIPTION	1200AC SERIES	1200LR SERIES	1201LR SERIES
1	627598	DOOR LINER ASSY-BLACK GASKET/NO FLAPPER (SERIAL # 1291391 & ABOVE)	X	X	X
	627978	DOOR LINER ASSY-BLACK GASKET/WITH FLAPPER (SERIAL # 1291391 & ABOVE)	X	X	X
	627599	DOOR LINER ASSY-BLACK GASKET/NO FLAPPER/DISPENSER MODELS	X	X	
	627979	DOOR LINER ASSY-BLACK GASKET/WITH FLAPPER/DISPENSER MODELS	X	X	
	627965	DOOR LINER ASSY-WHITE GASKET/NO FLAPPER (SERIAL # 540295 TO 1291390)		X	X
	627980	DOOR LINER ASSY-WHITE GASKET/WITH FLAPPER (SERIAL # 540295 TO 1291390)		X	X
	627966	DOOR LINER ASSY-GRAY GASKET/NO FLAPPER (SERIAL # 300000 TO 540294)		X	
	627981	DOOR LINER ASSY-GRAY GASKET/WITH FLAPPER (SERIAL # 300000 TO 540294)		X	
2	618746	HINGE BUSHING-MIDDLE	X	X	X
3	622315	DOOR HANDLE ASSY (SERIAL # 8254600 & ABOVE)	X	X	
	619574	DOOR HANDLE ASSY (SERIAL # 300000 TO 8254599)	X	X	
	621106	DOOR HANDLE ASSY (SERIAL # 300000 & ABOVE)			X
4	619374	STORAGE LATCH-DOOR/BLACK/POINTED (SERIAL # 300000 TO 8254600)	X	X	X
5	623887	FLAPPER ASSY-DOUBLE POLE/BLACK (SERIAL # 1291391 & ABOVE)	X	X	X
	619845	FLAPPER ASSY-DOUBLE POLE/WHITE (SERIAL # 540295 TO 1291390)(USE 623887)		X	X
	618787	FLAPPER ASSY-SINGLE POLE/WHITE (SERIAL # 300000 TO 540294)		X	
NS	622855	KIT-FLAPPER WIRE REPAIR	X	X	X
6	618792	HINGE-DOOR/UPPER/WITHOUT PIN (SERIAL # 300000 TO 8254600)	X	X	X
	627288	HINGE-DOOR/LOWER/WITH PIN (SERIAL # 8254600 & ABOVE)	X	X	X
7	622831	BIN-DOOR SHELF (3 PER DOOR)	X	X	X
8	623167	PANEL RETAINER-LOWER (1 PER DOOR)	X	X	X
NS	625129	KIT-DOOR SAG REPAIR (LOWER DOORS)	X	X	X

NS = NOT SHOWN



# 1200 SERIES CROSS REFERENCE - OBSOLETE DOORS - PANEL TYPE

PART #	UPPER/RH/PANEL	GASKET COLOR	SERIAL # FROM	SERIAL # TO	REPLACEMENT DOOR ASSY
625217	DOOR ASSY-UPPER/RH/PANEL/1200	BLACK	1291391	8254599	627603
625221	DOOR ASSY-UPPER/RH/PANEL/1201	BLACK	1291391	8254599	627603
625213	DOOR LINER ASSY-UPPER/RH/PANEL	BLACK	1291391	8254599	627603
619844	DOOR ASSY-UPPER/RH/PANEL/1200	WHITE	540295	1291390	627970
621149	DOOR ASSY-UPPER/RH/PANEL/1201	WHITE	787615	1291390	627970
619840	DOOR LINER ASSY-UPPER/RH/PANEL	WHITE	540295	1291390	627970
618764	DOOR ASSY-UPPER/RH/PANEL/1200	GRAY	300000	540294	627971
618731	DOOR LINER ASSY-UPPER/RH/PANEL	GRAY	300000	540294	627971

PART #	UPPER/LH/PANEL	GASKET COLOR	SERIAL # FROM	SERIAL # TO	REPLACEMENT DOOR ASSY
625216	DOOR ASSY-UPPER/LH/PANEL/1200	BLACK	1291391	8254599	627601
625220	DOOR ASSY-UPPER/LH/PANEL/1201	BLACK	1291391	8254599	627601
625212	DOOR LINER ASSY-UPPER/LH/PANEL	BLACK	1291391	8254599	627601
625383	DOOR ASSY-UPPER/LH/PANEL/1200/DISPENSER	BLACK	1319557	8254599	627602
625384	DOOR LINER ASSY-UPPER/LH/PANEL/DISPENSER	BLACK	1319557	8254599	627602
619843	DOOR ASSY-UPPER/LH/PANEL/1200	WHITE	540295	1291390	627960
621148	DOOR ASSY-UPPER/LH/PANEL/1201	WHITE	540295	1291390	627960
619839	DOOR LINER ASSY-UPPER/LH/PANEL	WHITE	540295	1291390	627960
618763	DOOR ASSY-UPPER/LH/PANEL/1200	GRAY	300000	540294	627961
618730	DOOR LINER ASSY-UPPER/LH/PANEL	GRAY	300000	540294	627961

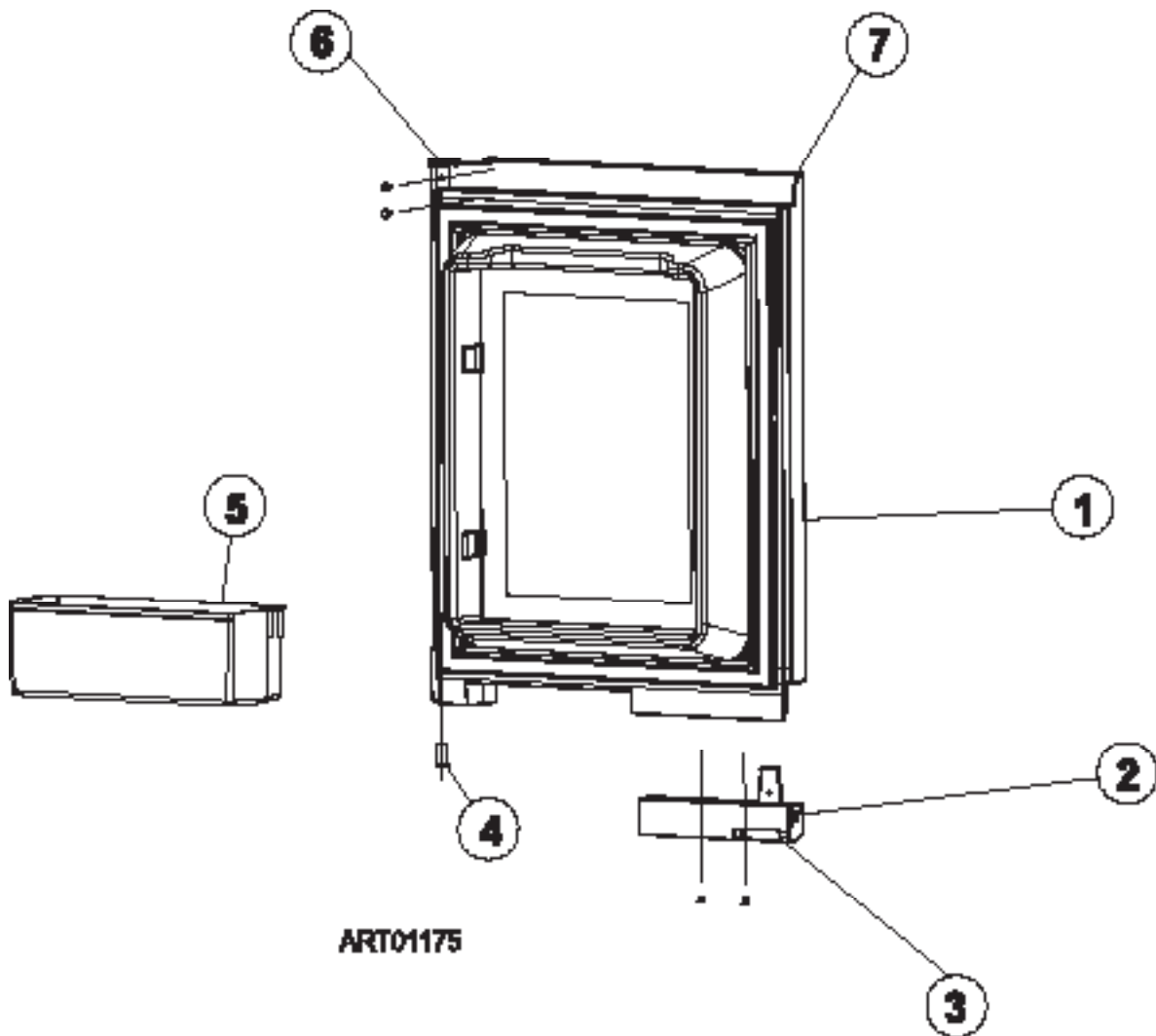
PART #	LOWER/RH/PANEL	GASKET COLOR	SERIAL # FROM	SERIAL # TO	REPLACEMENT DOOR ASSY
625219	DOOR ASSY-LOWER/RH/PANEL/1200	BLACK	1291391	8254599	627991
625223	DOOR ASSY-LOWER/RH/PANEL/1201	BLACK	1291391	8254599	627991
625215	DOOR LINER ASSY-LOWER/RH/PANEL	BLACK	1291391	8254599	627600 , 627991
625224	DOOR ASSY-LOWER/RH/PANEL/1200AC	BLACK	1291391	8254599	627600
619842	DOOR ASSY-LOWER/RH/PANEL/1200	WHITE	540295	1291390	627992
621433	DOOR ASSY-LOWER/RH/PANEL/1200	WHITE	540295	1291390	627992
621151	DOOR ASSY-LOWER/RH/PANEL/1201	WHITE	540295	1291390	627992
621434	DOOR ASSY-LOWER/RH/PANEL/1201	WHITE	540295	1291390	627992
619838	DOOR LINER ASSY-LOWER/RH/PANEL	WHITE	540295	1291390	627992
618762	DOOR ASSY-LOWER/RH/PANEL/1200	GRAY	300000	540294	627993
618729	DOOR LINER ASSY-LOWER/RH/PANEL	GRAY	300000	540294	627993

PART #	LOWER LH/PANEL	GASKET COLOR	SERIAL # FROM	SERIAL # TO	REPLACEMENT DOOR ASSY
625218	DOOR ASSY-LOWER/LH/PANEL/1200	BLACK	1291391	8254599	627978, 627978
625222	DOOR ASSY-LOWER/LH/PANEL/1201	BLACK	1291391	8254599	627978, 627978
625214	DOOR LINER ASSY-LOWER/LH/PANEL	BLACK	1291391	8254599	627978, 627978
625381	DOOR ASSY-LOWER/LH/PANEL/1200/DISPENSER	BLACK	1319557	8254599	627599 , 627979
625382	DOOR LINER ASSY-LOWER/LH/PANEL/DISPENSER	BLACK	1319557	8254599	627599 , 627979
619841	DOOR ASSY-LOWER/LH/PANEL/1200	WHITE	540295	1291390	627980, 627980
621150	DOOR ASSY-LOWER/LH/PANEL/1201	WHITE	540295	1291390	627980, 627980
619837	DOOR LINER ASSY-LOWER/LH/PANEL	WHITE	540295	1291390	627980, 627980
618761	DOOR ASSY-LOWER/LH/PANEL/1200	GRAY	300000	540294	627966 , 627981
618728	DOOR LINER ASSY-LOWER/LH/PANEL	GRAY	300000	540294	627966 , 627981

"NOTE: FIRST REPLACEMENT PART # IS WITHOUT FLAPPER, THE SECOND NUMBER IS WITH FLAPPER."

PART IS NO LONGER AVAILABLE

# DOOR ASSEMBLY - UPPER RH - 1200 SERIES (WRAPPED DOORS)

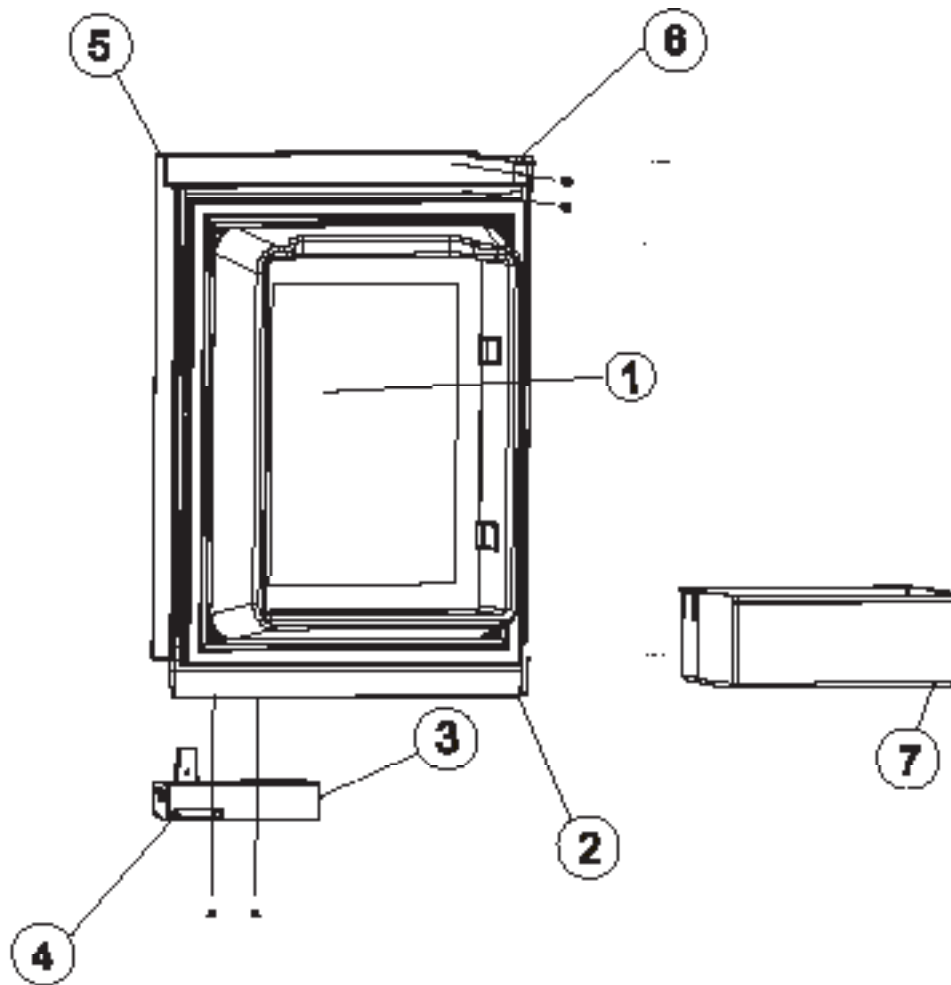


ART01175

NO.	PART #	DESCRIPTION	1200AC SERIES	1200LR SERIES	1201LR SERIES
1	627620	DOOR LINER ASSY-BLACK/POWDER COAT ( SERIAL # 1298859 & ABOVE)	BK	BK	
	627619	DOOR LINER ASSY-STAINLESS STEEL/AL-CLEAN (SERIAL # 1435597 & ABOVE)	SS	SS	SS
	623812	DOOR LINER ASSY-STAINLESS STEEL/ALGION (SERIAL # 1155466 TO 1435596)	SS	SS	SS
	630408	DOOR LINER ASSY-STAINLESS STEEL (VALSPAR/REPLACEMENT DOOR)	SS	SS	SS
	627621	DOOR LINER ASSY-WHITE		WH	
	62906101	DOOR LINER ASSY-PEWTER ROYCE			WPM
2	622315	DOOR HANDLE ASSY (SERIAL # 8254600 & ABOVE)	X	X	
	619574	DOOR HANDLE ASSY (SERIAL # 300000 TO 8254599)	X	X	
	621106	DOOR HANDLE ASSY (SERIAL # 300000 AND ABOVE)			X
3	619374	STORAGE LATCH-DOOR/BLACK/POINTED (SERIAL # 300000 TO 8254600)	X	X	X
4	618746	HINGE BUSHING-MIDDLE	X	X	X
5	622831	BIN-DOOR SHELF (1 PER DOOR)	X	X	X
6	623819	DOOR CAP-HINGE	X	X	X
7	623820	DOOR CAP-CENTER	X	X	X

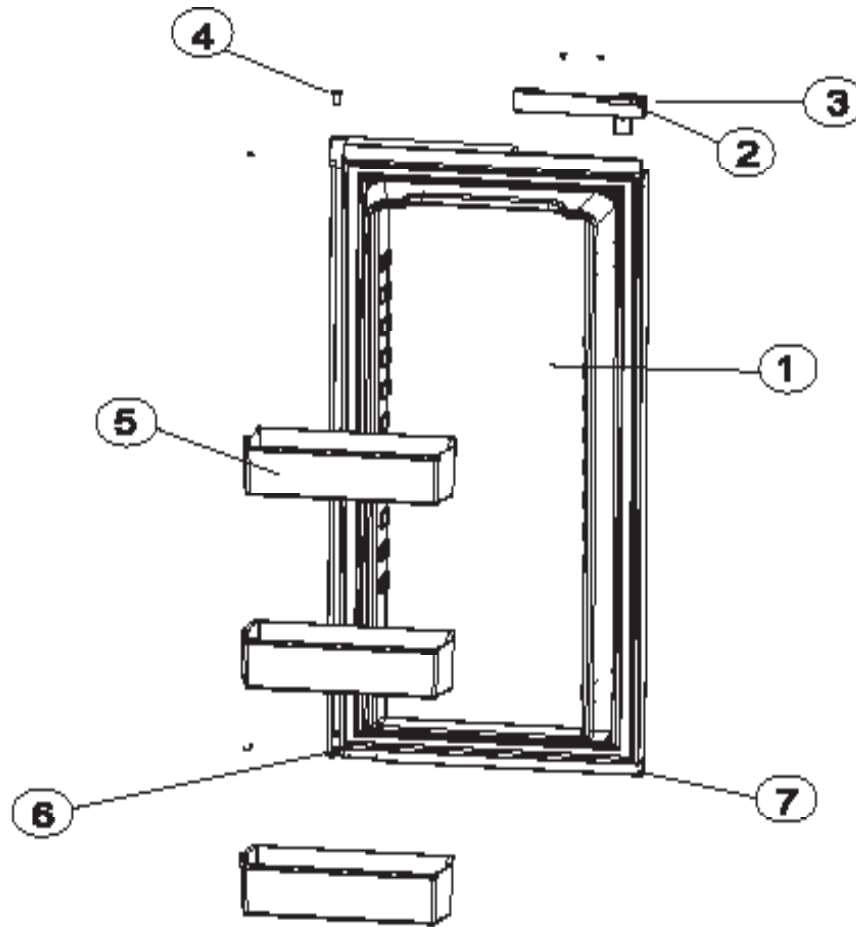
PART IS NO LONGER AVAILABLE

# DOOR ASSEMBLY - UPPER LH - 1200 SERIES (WRAPPED DOORS)



NO.	PART #	DESCRIPTION	1200AC SERIES	1200LR SERIES	1201LR SERIES
1	627632	DOOR LINER ASSY-BLACK/POWER COAT (SERIAL # 1298859 & ABOVE)	BK	BK	
	623997	DOOR LINER ASSY-BLACK/VINYL COAT (SERIAL # 1154394 TO 1298858)		BK	
	627635	DOOR LINER ASSY-BLACK/DISPENSER MODELS	BK	BK	
	627631	DOOR LINER ASSY-STAINLESS STEEL/AL-CLEAN (SERIAL # 1435597 & ABOVE)	SS	SS	SS
	627634	DOOR LINER ASSY-STAINLESS STEEL/AL-CLEAN/DISP (SERIAL 1435597 & ABOVE)	SS	SS	SS
	630409	DOOR LINER ASSY-STAINLESS STEEL (VALSPAR/REPLACEMENT DOOR)	SS	SS	SS
	630845	DOOR LINER ASSY-STAINLESS STEEL/DISP (VALSPAR/REPLACEMENT DOOR)	SS	SS	SS
	627633	DOOR LINER ASSY-WHITE		WH	
	62906001	DOOR LINER ASSY-PEWTER ROYCE			WPM
2	618746	HINGE BUSHING-MIDDLE	X	X	X
3	622316	DOOR HANDLE ASSY (SERIAL # 8254600 & ABOVE)	X	X	
	619573	DOOR HANDLE ASSY (SERIAL # 300000 TO 8254600)	X	X	
	621107	DOOR HANDLE ASSY (SERIAL # 300000 & ABOVE)			X
4	619374	STORAGE LATCH-DOOR/BLACK/POINTED (SERIAL # 300000 TO 8254600)	X	X	X
5	623492	DOOR CAP-CENTER	X	X	X
6	623491	DOOR CAP-HINGE	X	X	X
7	622831	BIN-DOOR SHELF (1 PER DOOR)	X	X	X
		PART IS NO LONGER AVAILABLE			

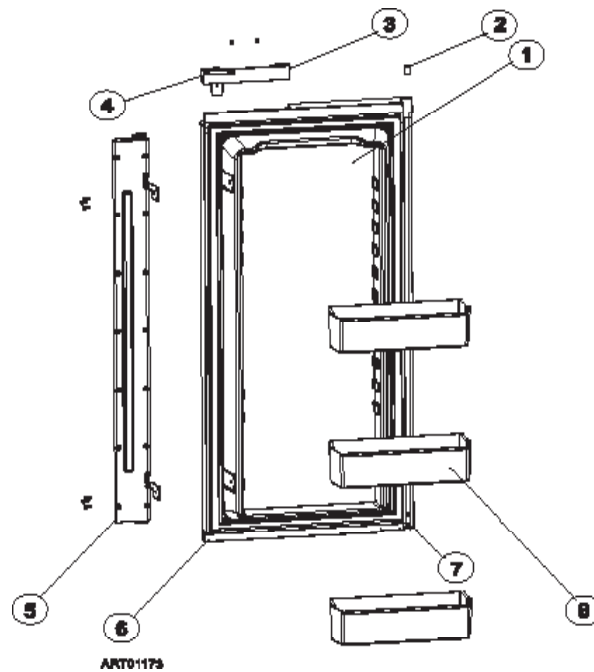
# DOOR ASSEMBLY - LOWER RH - 1200 SERIES (WRAPPED DOORS)



**ART01174**

NO.	PART #	DESCRIPTION	1200AC SERIES	1200LR SERIES	1201LR SERIES
1	627995	DOOR LINER ASSY-BLACK/POWER COAT (SERIAL # 1291391 & ABOVE)		BK	
	627623	DOOR LINER ASSY-BLACK/POWER COAT (SERIAL # 1291391 & ABOVE)	BK		
	627622	DOOR LINER ASSY-STAINLESS STEEL/AL-CLEAN (SERIAL # 1435597 & ABOVE)	SS		
	630410	DOOR LINER ASSY-STAINLESS STEEL (VALSPAR/REPLACEMENT DOOR)	SS	SS	SS
	627996	DOOR LINER ASSY-WHITE		WH	
	62906301	DOOR LINER ASSY-PEWTER ROYCE			WPM
2	622316	DOOR HANDLE ASSY (SERIAL # 8254600 & ABOVE)	X	X	
	619573	DOOR HANDLE ASSY (SERIAL # 300000 TO 8254600)	X	X	
	621107	DOOR HANDLE ASSY (SERIAL # 300000 & ABOVE)			X
3	619374	STORAGE LATCH-DOOR/BLACK/POINTED (SERIAL # 300000 TO 8254600)	X	X	X
4	618746	HINGE BUSHING-MIDDLE	X	X	X
5	622831	BIN-DOOR SHELF (3 PER DOOR)	X	X	X
6	623491	DOOR CAP-HINGE	X	X	X
7	623492	DOOR CAP-CENTER	X	X	X
NS	625129	KIT-DOOR SAG REPAIR (LOWER DOORS)	X	X	X

# DOOR ASSEMBLY - LOWER LH - 1200 SERIES (WRAPPED DOORS)



NO.	PART #	DESCRIPTION	1200AC SERIES	1200LR SERIES	1201LR SERIES
1	627626	DOOR LINER ASSY-BLACK/POWER COAT/NO FLAPPER (SERIAL # 1298859 & ABOVE)	BK	BK	
	627984	DOOR LINER ASSY-BLACK/POWER COAT/WITH FLAPPER (SERIAL # 1298859 & ABOVE)	BK	BK	
	627629	DOOR LINER ASSY-BLACK/NO FLAPPER/DISPENSER MODELS	BK	BK	
	627985	DOOR LINER ASSY-BLACK/WITH FLAPPER/DISPENSER MODELS	BK	BK	
	623999	DOOR LINER ASSY-BLACK/VINYL COAT (SERIAL # 1154394 TO 1298858)		BK	
	627625	DOOR LINER ASSY-STAINLESS STEEL/AL-CLEAN/NO FLAPPER (SERIAL # 1435597 & ABOVE)	SS	SS	SS
	627982	DOOR LINER ASSY-STAINLESS STEEL/AL-CLEAN/WITH FLAP (S/N 1435597 & ABOVE) (USE 630411)	SS	SS	SS
	627628	DOOR LINER ASSY-STAINLESS STEEL/AL-CLEAN/NO FLAPPER/DISPENSER MODELS	SS	SS	SS
	627983	DOOR LINER ASSY-STAINLESS STEEL/AL-CLEAN/WITH FLAPPER/DISPENSER MODELS	SS	SS	SS
	623813	DOOR LINER ASSY-STAINLESS STEEL/AGION (SERIAL # 1155466 TO 1435596)	SS	SS	SS
	625515	DOOR LINER ASSY-STAINLESS STEEL/ALGION/DISPENSER (SERIAL # 1319570 TO 1435596)	SS	SS	SS
	630411	DOOR LINER ASSY-STAINLESS STEEL (VALSPAR/REPLACEMENT DOOR)	SS	SS	SS
	630412	DOOR LINER ASSY-STAINLESS STEEL/DISPENSER (VALSPAR/REPLACEMENT DOOR)	SS	SS	SS
	627627	DOOR LINER ASSY-LH/WHITE/NO FLAPPER		WH	
627986	DOOR LINER ASSY-WHITE/WITH FLAPPER		WH		
62906201	DOOR LINER ASSY-PEWTER ROYCE/NO FLAPPER			WPM	
2	618746	HINGE BUSHING-MIDDLE	X	X	X
3	622315	DOOR HANDLE ASSY (SERIAL # 8254600 & ABOVE)	X	X	
	619574	DOOR HANDLE ASSY (SERIAL # 300000 TO 8254599)	X	X	
	621106	DOOR HANDLE ASSY (SERIAL # 300000 & ABOVE)			X
4	619374	STORAGE LATCH-DOOR/BLACK/POINTED	X	X	X
5	623887	FLAPPER ASSY-DOUBLE POLE/BLACK (SERIAL # 1291391 & ABOVE)	X	X	X
	619845	FLAPPER ASSY-DOUBLE POLE/WHITE (SERIAL # 540295 TO 1291390)(USE 623887)		X	X
	618787	FLAPPER ASSY-SINGLE POLE/WHITE (SERIAL # 300000 TO 540294)		X	
6	623820	DOOR CAP-CENTER	X	X	X
7	623819	DOOR CAP-HINGE	X	X	X
8	622831	BIN-DOOR SHELF (3 PER DOOR)	X	X	X
NS	625129	KIT-DOOR SAG REPAIR (LOWER DOORS)	X	X	X

PART IS NO LONGER AVAILABLE

# 1200 SERIES CROSS REFERENCE - OBSOLETE UPPER DOORS - WRAP TYPE

PART #	UPPER/RH	DOOR COLOR	SERIAL # FROM	SERIAL # TO	REPLACEMENT DOOR LINER ASSY
625868	DOOR ASSY-UPPER/RH/1200/POWDER COAT	BLACK	1298859	8254599	627620
625863	DOOR LINER ASSY-UPPER/RH/POWDER COAT	BLACK	1298859	8254599	627620
624103	DOOR ASSY-UPPER/RH/1200/VINYL COAT	BLACK	1154394	1298858	SEE NOTE "A"
623998	DOOR LINER ASSY-UPPER/RH/VINYL COAT	BLACK	1154394	1298858	SEE NOTE "A"
627106	DOOR ASSY-UPPER/RH/1200/AL-CLEAN	SS	1435597	8254599	627619
627110	DOOR ASSY-UPPER/RH/1201/AL-CLEAN	SS	1435597	8254599	627619
627098	DOOR LINER ASSY-UPPER/RH/AL-CLEAN	SS	1435597	8254599	627619
623816	DOOR ASSY-UPPER/RH/1200/AGION	SS	1155466	1435596	SEE NOTE "A"
623925	DOOR ASSY-UPPER/RH/1201/AGION	SS	1157064	1435596	SEE NOTE "A"
623812	DOOR LINER ASSY-UPPER/RH/AGION	SS	1155466	1435596	SEE NOTE "A"
624111	DOOR ASSY-UPPER/RH/1200	WHITE	1157680	8254599	627621
624107	DOOR LINER ASSY-UPPER/RH	WHITE	1157680	8254599	627621
PART IS NO LONGER AVAILABLE					

PART #	UPPER/LH	DOOR COLOR	SERIAL # FROM	SERIAL # TO	REPLACEMENT DOOR LINER ASSY
625866	DOOR ASSY-UPPER/LH/1200POWDER COAT	BLACK	1298859	8254599	627632
625862	DOOR LINER ASSY-UPPER/LHPOWDER COAT	BLACK	1298859	8254599	627632
626027	DOOR ASSY-UPPER/LH/1200DISPENSER	BLACK	1336284	8254599	627635
626032	DOOR LINER ASSY-UPPER/LHDISPENSER	BLACK	1336284	8254599	627635
624102	DOOR ASSY-UPPER/LH/1200VINYL COAT	BLACK	1154394	1298858	SEE NOTE "A"
623997	DOOR LINER ASSY-UPPER/LH/VINYL COAT	BLACK	1154394	1298858	SEE NOTE "A"
627105	DOOR ASSY-UPPER/LH/1200/AL-CLEAN	SS	1435597	8254599	627631
627109	DOOR ASSY-UPPER/LH/1201/AL-CLEAN	SS	1435597	8254599	627631
627116	DOOR ASSY-UPPER/LH/1201/AL-CLEAN/DISP	SS	1435597	8254599	627634
627096	DOOR LINER ASSY-UPPER/LH/AL-CLEAN	SS	1435597	8254599	627631
627114	DOOR ASSY-UPPER/LH/1200/AL-CLEAN/DISPENSER	SS	1435597	8254599	627634
627100	DOOR LINER ASSY-UPPER/LH/AL-CLEAN/DISPENSER	SS	1435597	8254599	627634
623815	DOOR ASSY-UPPER/LH/1200/AGION	SS	1155466	1435596	SEE NOTE "A"
623924	DOOR ASSY-UPPER/LH/1201/AGION	SS	1155466	1435596	SEE NOTE "A"
623811	DOOR LINER ASSY-UPPER/LH/AGION	SS	1155466	1435596	SEE NOTE "A"
625513	DOOR ASSY-UPPER/LH/1200/AGION/DISPENSER	SS	1319570	1435596	SEE NOTE "A"
626029	DOOR ASSY-UPPER/LH/1201/AGION/DISPENSER	SS	1319570	1435596	SEE NOTE "A"
625516	DOOR LINER ASSY-UPPER/LH/AGION/DISPENSER	SS	1319570	1435596	SEE NOTE "A"
624110	DOOR ASSY-UPPER/LH/1200/WHITE	WHITE	1157680	8254599	627633
624106	DOOR LINER ASSY-UPPER/LH/WHITE	WHITE	1157680	8254599	627633
PART IS NO LONGER AVAILABLE					

NOTE "A" - IF THE RESPECTIVE PART IS NOT AVAILABLE, ALL FOUR DOOR LINERS MUST BE REPLACED WITH THE PRESENTLY PRODUCED DOOR LINERS IN THE REQUIRED COLOR.

# 1200 SERIES CROSS REFERENCE - OBSOLETE LOWER DOORS - WRAP TYPE

PART #	LOWER/RH	DOOR COLOR	SERIAL # FROM	SERIAL # TO	REPLACEMENT DOOR LINER ASSY
625872	DOOR ASSY-LOWER/RH/1200/POWDER COAT	BLACK	1291391	8254599	627995
625877	DOOR ASSY-LOWER/RH/1200AC/POWER COAT	BLACK	1291391	8254599	627623
625865	DOOR LINER ASSY-LOWER/RH/POWDER COAT	BLACK	1291391	8254599	627623 , 627995
624105	DOOR ASSY-LOWER/RH/1200/VINYL COAT	BLACK	1154394	1298858	SEE NOTE "A"
625373	DOOR ASSY-LOWER/RH/1200AC/VINYL COAT	BLACK	1254945	1298858	SEE NOTE "A"
624101	DOOR LINER ASSY-LOWER/RH/VINYL COAT	BLACK	1154394	1298858	SEE NOTE "A"
627107	DOOR ASSY-LOWER/RH/1200/AL-CLEAN	SS	1435597	8254599	SEE NOTE "A"
627111	DOOR ASSY-LOWER/RH/1201/AL-CLEAN	SS	1435596	8254599	SEE NOTE "A"
627113	DOOR ASSY-LOWER/RH/1200AC/AL-CLEAN	SS	1435597	8254599	627622
627097	DOOR LINER ASSY-LOWER/RH/AL-CLEAN	SS	1435597	8254599	627622
627994	DOOR LINER ASSY-LOWER/RH/AL-CLEAN	SS	1435597	8254599	SEE NOTE "A"
623818	DOOR ASSY-LOWER/RH/1200/AGION	SS	1155466	1435596	SEE NOTE "A"
623927	DOOR ASSY-LOWER/RH/1201/AGION	SS	1157064	1435596	SEE NOTE "A"
625146	DOOR ASSY-LOWER/RH/1200AC/AGION	SS	1226921	1435596	SEE NOTE "A"
623814	DOOR LINER ASSY-LOWER/RH/AGION	SS	1155466	1435596	SEE NOTE "A"
624113	DOOR ASSY-LOWER/RH/1200/WHITE	WHITE	1157680	8254599	627996
624109	DOOR LINER ASSY-LOWER/RH/WHITE	WHITE	1157680	8254599	627996

PART IS NO LONGER AVAILABLE

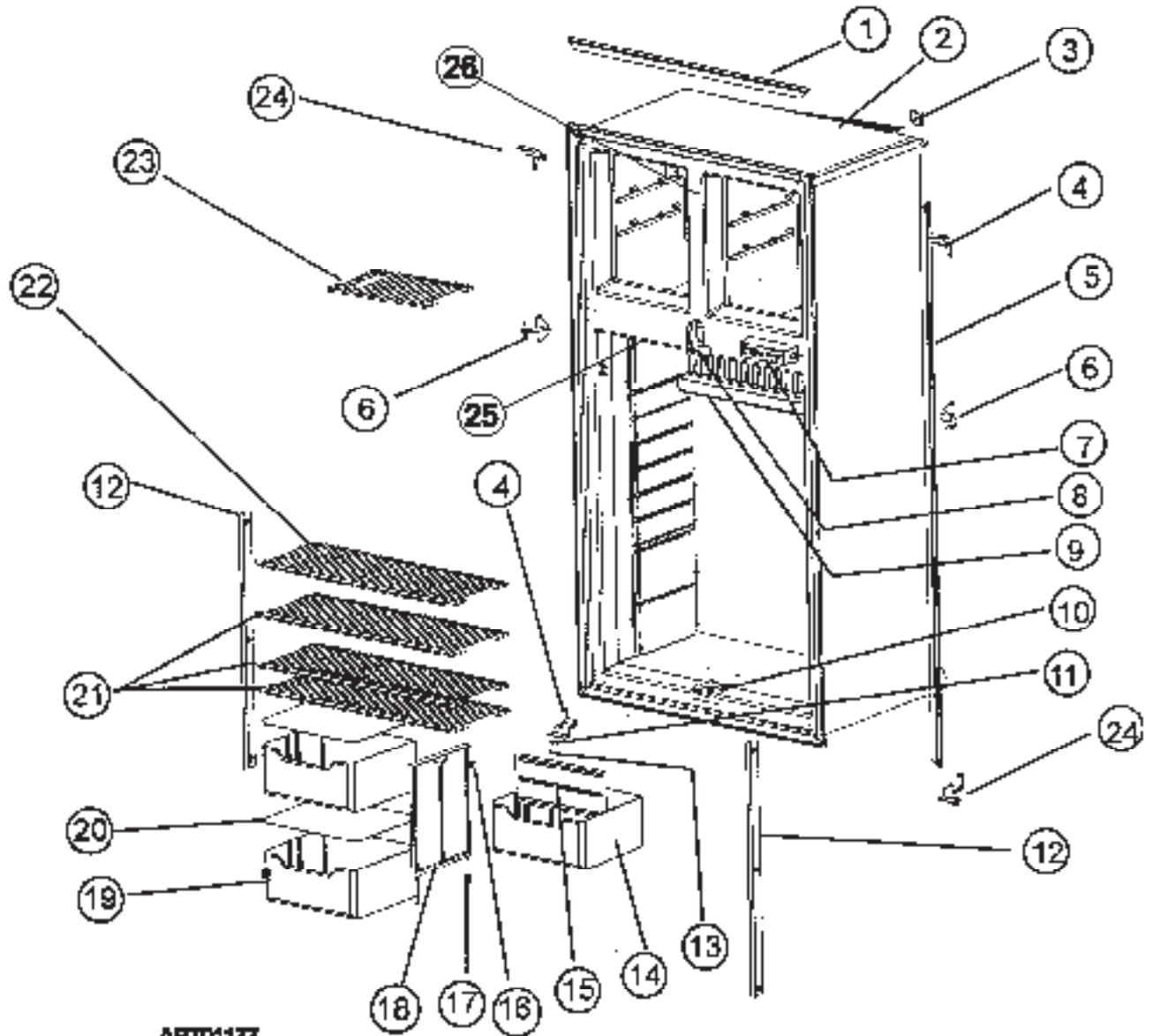
PART #	LOWER/LH WRAP	DOOR COLOR	SERIAL # FROM	SERIAL # TO	REPLACEMENT DOOR LINER ASSY
625870	DOOR ASSY-LOWER/LH/1200/POWDER COAT	BLACK	1298859	8254599	627626, 627984
625864	DOOR LINER ASSY-LOWER/LH/POWDER COAT	BLACK	1298859	8254599	627626, 627984
626034	DOOR ASSY-LOWER/LH/1200/DISPENSER	BLACK	1336284	8254599	627629, 627985
626039	DOOR LINER ASSY-LOWER/LH/DISPENSER	BLACK	1336284	8254599	627629, 627985
624104	DOOR ASSY-LOWER/LH/1200/VINYL COAT	BLACK	1154394	1298558	SEE NOTE "A"
623999	DOOR LINER ASSY-LOWER/LH/VINYL COAT	BLACK	1154394	1298558	SEE NOTE "A"
627108	DOOR ASSY-LOWER/LH/1200/AL-CLEAN	SS	1435597	8254599	SEE NOTE "A"
627112	DOOR ASSY-LOWER/LH/1201/AL-CLEAN	SS	1435597	8254599	SEE NOTE "A"
627099	DOOR LINER ASSY-LOWER/LH/AL-CLEAN	SS	1435597	8254599	SEE NOTE "A"
627115	DOOR ASSY-LOWER/LH/1200/DIS/AL-CLEAN	SS	1435597	8254599	627628, 627983
627117	DOOR ASSY-LOWER/LH/1201/DIS/AL-CLEAN	SS	1435597	8254599	627628, 627983
627112	DOOR ASSY-LOWER/LH/1201/ALCLEAN	SS	1435597	8254599	SEE NOTE "A"
627101	DOOR LINER ASSY-LOWER/LH/DIS/AL-CLEAN	SS	1435597	8254599	627628, 627983
623817	DOOR ASSY-LOWER/LH/1200/AGION	SS	1155466	1435596	SEE NOTE "A"
623926	DOOR ASSY-LOWER/LH/1201/AGION	SS	1157064	1435596	SEE NOTE "A"
626036	DOOR ASSY-LOWER/LH/1201/AGION/DISP	SS	1322931	1435596	SEE NOTE "A"
623813	DOOR LINER ASSY-LOWER/LH/AGION	SS	1155466	1435596	SEE NOTE "A"
625514	DOOR ASSY-LOWER/LH/1200/AGION/DISPENSER	SS	1319570	1435596	SEE NOTE "A"
625515	DOOR LINER ASSY-LOWER/LH/AGION/DISPENSER	SS	1319570	1435596	SEE NOTE "A"
624112	DOOR ASSY-LOWER/LH/1200/WHITE	WHITE	1157680	8254599	627627, 627986
624108	DOOR LINER ASSY-LOWER/LH/WHITE	WHITE	1157680	8254599	627627, 627986

PART IS NO LONGER AVAILABLE

NOTE "A" - IF THE RESPECTIVE PART IS NOT AVAILABLE, ALL FOUR DOOR LINERS MUST BE REPLACED WITH THE PRESENTLY PRODUCED DOOR LINERS IN THE REQUIRED COLOR.

NOTE "B": ON THE LOWER/LH DOOR PARTS, THE FIRST REPLACEMENT NUMBER DOES NOT HAVE A FLAPPER. THE SECOND PART NUMBER HAS A FLAPPER.

# CABINET ASSEMBLY - FRONT VIEW - 1200 SERIES





## CABINET ASSEMBLY - FRONT VIEW - 1200 SERIES

NO.	PART #	DESCRIPTION	1200AC SERIES	1200LR SERIES	1201LR SERIES
1	623255	TRIM PIECE-TOP/BOTTOM/"U" SHAPED (SERIAL# 1097521 & ABOVE)	X	X	X
	621975	TRIM PIECE-TOP/BOTTOM (SERIAL# 300000 TO 1097520)		X	X
3	618844	TRIM PIECE-CORNER (4 PER CABINET)(SERIAL# 300000 TO 1097520)		X	X
4	618798	HINGE-TOP RH/BOTTOM LH/PANEL DOOR (2 PER CABINET)	PANEL	PANEL	PANEL
	623824	HINGE-TOP RH/BOTTOM LH/WRAPPED DOORS (2 PER CABINET)	WRAPPED	WRAPPED	WRAPPED
5	623254	TRIM PIECE-SIDE (2 PER CABINET)(SERIAL# 1097521 & ABOVE)	X	X	X
	621976	TRIM PIECE-SIDE (2 PER CABINET)(SERIAL# 300000 TO 1097520)		X	X
6	627685	HINGE-MIDDLE (2 PER CABINET)	X	X	X
	627684	HINGE PIN-MIDDLE HINGE	X	X	X
7	628970	CONTROL ASSY-OPTICAL (SERIAL # 8981139 & ABOVE)		X	X
	629042	CONTROL ASSY-OPTICAL (SERIAL # 9098172 & ABOVE)	X		
	624868	CONTROL ASSY-OPTICAL/GRAY MONOCHROME (SERIAL # 832172 TO 8981138)	LTD	LTD	LTD
	624869	KIT-CONTROL ASSY/POWER BOARD/GRAY (SERIAL # 300000 TO 832171)		LTD	LTD
	633205	KIT-CONTROLS ADAPTER (SERIAL# 300000 TO 520960)		X	X
	633275	KIT-CONTROLS ADAPTER (SERIAL# 520961 TO 832171)		X	X
	633299	KIT-CONTROLS ADAPTER (SERIAL# 832172 TO 8981138)		X	X
	633276	KIT-CONTROLS ADAPTER/AC (SERIAL# 300000 TO 9098171)	X		
8	618835	STRIKE PLATE	X	X	X
9	618774	DRIP TRAY-INSIDE	X	X	X
NS	628462	KIT-DRIP TRAY EDGE	X	X	X
10	624140	GUIDE BLOCK ASSY-BTM/BLACK/DOUBLE POLE (SERIAL # 1291391 & ABOVE)	X	X	X
	624141	GUIDE BLOCK ASSY-TOP/BLACK/DOUBLE POLE (SERIAL # 1291391 & ABOVE)	X	X	X
	620043	GUIDE BLOCK ASSY-BTM/WHITE/DOUBLE POLE (SERIAL # 540295 TO 1291390)		X	X
	620041	GUIDE BLOCK ASSY-TOP/WHITE/DOUBLE POLE (SERIAL # 540295 TO 1291390)		X	X
	620042	GUIDE BLOCK ASSY-BTM/WHITE/SINGLE POLE (SERIAL# 300000 TO 540294)		X	
	620040	GUIDE BLOCK ASSY-TOP/WHITE/SINGLE POLE (SERIAL# 300000 TO 540294)		X	
11	618144	HINGE BUSHING-DOOR HINGE/BLACK (TOTAL OF 4 PER CABINET)	X	X	X
12	622033	RETAINER-SHELF (SERIAL # 926685 & ABOVE)(2 PER CABINET)	X	X	X
	618181	RETAINER-SHELF (SERIAL # 300000 TO 926684)(2 PER CABINET)		X	X
13	618145	HINGE PIN-DOOR (4 PER REFRIGERATOR)	PANEL	PANEL	PANEL
	623899	HINGE PIN-UPPER/LOWER/WRAPPED DOORS (USE 638780)	WRAPPED	WRAPPED	WRAPPED
	638780	KIT SERVICE UPPER HINGE PIN REPLACEMENT	WRAPPED	WRAPPED	WRAPPED
14	618878	BIN-BOTTLE/CRISPER (TOTAL OF 3 PER CABINET)	X	X	X
15	618877	DIVIDER-BOTTLE CRISPER (1 PER CABINET)	X	X	X

## CABINET ASSEMBLY - FRONT VIEW - 1200 SERIES CONTINUED

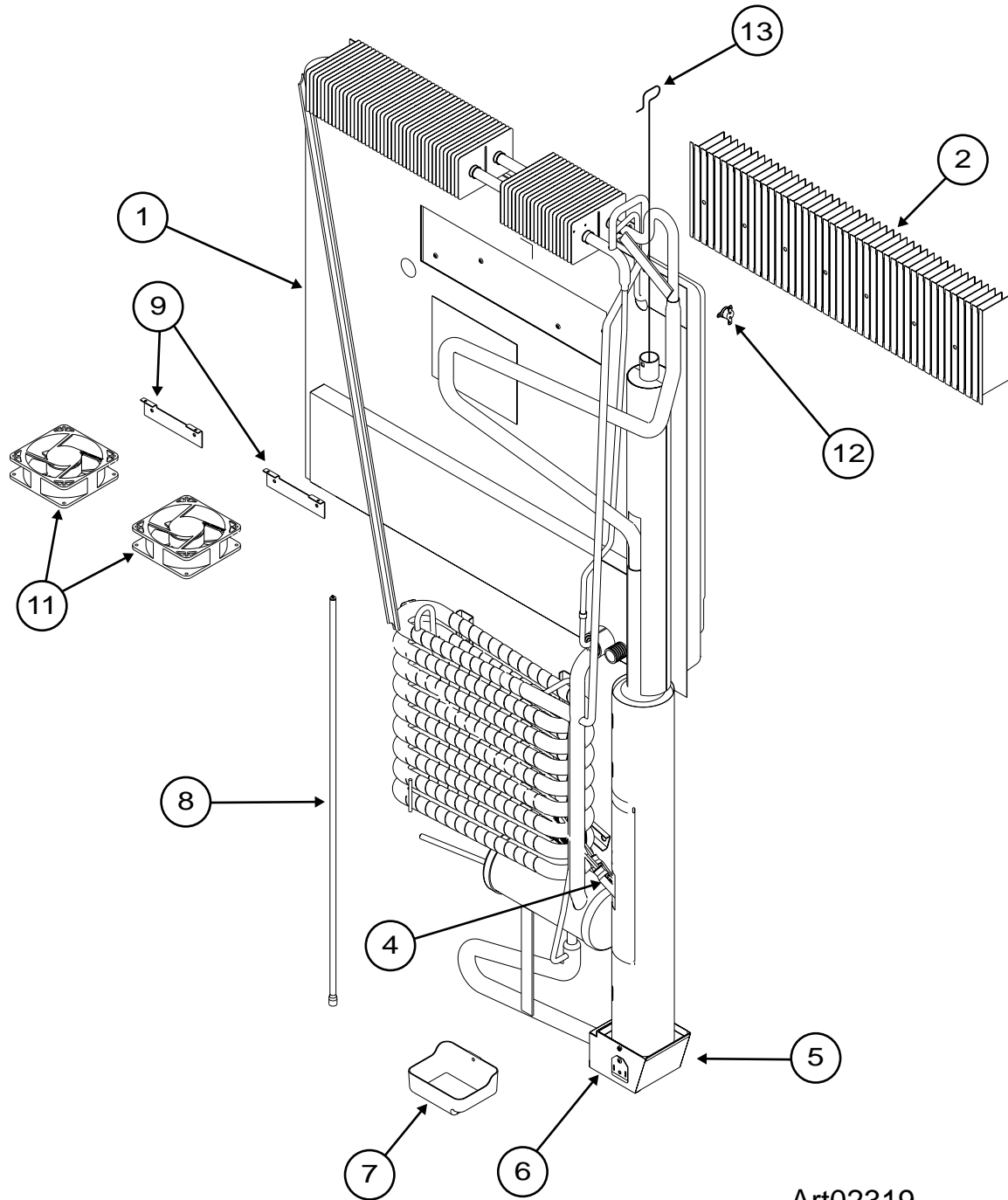
16	61409622	CLIP-SHELF	X	X	X
	623121	CLIP-SHELF	X	X	X
17	618144	HINGE BUSHING-DOOR HINGE/BLACK (TOTAL OF 4 PER CABINET)	X	X	X
18	632608	SUPPORT WALL-FOR CRISPER BIN	X	X	X
19	618878	BIN-BOTTLE/CRISPER (TOTAL OF 3 PER CABINET)	X	X	X
20	618757	CRISPER COVER-GLASS SHELF (TWO PER CABINET)	X	X	X
21	618848	SHELF-WIRE/LONG (3 PER CABINET)	X	X	X
	632435	SHELF-WIRE/LONG (3 PER CABINET)	X	X	X
22	618849	SHELF-WIRE/SHORT	X	X	X
	632436	SHELF-WIRE/SHORT	X	X	X
23	618847	SHELF-WIRE/FREEZER (2 PER CABINET)	X	X	X
	632434	SHELF-WIRE/FREEZER (2 PER CABINET)	X	X	X
24	618796	HINGE-TOP LH/BOTTOM RH/PANEL DOORS (2 PER CABINET)	PANEL	PANEL	PANEL
	623823	HINGE-TOP LH/BOTTOM RH/WRAPPED DOORS (2 PER CABINET)	WRAPPED	WRAPPED	WRAPPED
25	623918	SWITCH-DOOR LIGHT (2 PER CABINET) (SERIAL # 1204743 & ABOVE)	X	X	X
	637152	KIT-SWITCH-DOOR LIGHT (2 PER CABINET) (SERIAL # 300000 TO 1204742)		X	X
26	625210	STRIP-FREEZER-BLACK (SERIAL # 1291391 & ABOVE)	X	X	X
NS	618803	BIN-ICE (NOT SHOWN)-ICE MAKER MODELS	X	X	X
NS	61630422	ICE TRAYS (NOT SHOWN)(4 PER CABINET) - NON ICE MAKER MODELS	X	X	
NS	620689	PROBE-CONTACT/LARGE (NOT SHOWN)			
NS	618853	CAP-SCREW/WHITE (NOT SHOWN)(SERIAL# 300000 TO 1097520)		X	X
NS	618170	HOLE PLUG-FOR TOP TRIM PIECE (NOT SHOWN)(SERIAL# 1097521 & ABOVE)	X	X	X

LTD = LIMITED QUANTITIES AVAILABLE IN INVENTORY (USE KIT-CONTROL ADAPTER IF UNAVAILABLE)

NOTE: IF THE CONTROL ASSY-OPTICAL HAS BEEN REPLACED WITH A KIT-CONTROL ADAPTOR, THE POWER BOARD MUST BE REPLACED WITH A NEW KIT-CONTROL ADAPTER.

PART NO LONGER AVAILABLE

# CABINET ASSEMBLY - REAR VIEW (COOLING UNIT AREA) - 1200 SERIES



Art02319

# CABINET ASSEMBLY - REAR VIEW (COOLING UNIT AREA) - 1200 SERIES

NO.	PART #	DESCRIPTION	1200AC SERIES	1200LR SERIES	1201LR SERIES
1	634746	**NSC SYSTEM PACK-COOLING UNIT/STEP (REF SERIAL # 8835499 & ABOVE) (COOLING UNIT 16273577 AND ABOVE)	X	X	X
	634747	**NSC SYSTEM PACK-COOLING UNIT (REF SERIAL # 8835498 & BELOW) (COOLING UNIT 16273577 AND ABOVE)	X	X	X
** THIS SYSTEM PACK MUST ALSO USE 635614 BURNER/ORIFICE ADAPTER KIT					
2	618785	FINS-EVAPORATOR	X	X	X
NS	629100	KIT-SERVICE/CAP-HEAT DEFLECTOR (SERIAL # 16240755 & BELOW)	X	X	X
4	618872	HEATER-AC (2 PER SYSTEM)(CU SERIAL# 11231145 & BELOW)(USE 638361)	X	X	X
	638361	KIT SERVIC HEATER REPLACEMENT	X	X	X
	630807	HEATER-AC/BACKER (2 PER SYSTEM)(COOLING UNIT SERIAL# 11231146 & ABOVE)	X	X	X
5	618902	BASE-BURNER BOX (SERIAL # 16240755 & BELOW)	X	X	X
	61695322	BASE-BURNER BOX (SERIAL # 16240756 & ABOVE)	X	X	X
6	637158	KIT-COVER ASSY-BURNER BOX	X	X	X
7	622546	DRIP CUP-REAR/PLASTIC	X	X	X
8	622392	DRAIN HOSE ASSY (SERIAL # 16240755 & BELOW)	X	X	X
	635407	DRAIN HOSE ASSY (SERIAL # 16240756 & ABOVE)	X	X	X
NS	622857	KIT-DRAIN HOSE REPAIR	X	X	X
9	628747	BRACKET-DC FAN (2 PER SYSTEM)(SERIAL # 914576 & ABOVE)	X	X	X
	618857	BRACKET-DC FAN (2 PER SYSTEM)(SERIAL# 914575 & BELOW)	X	X	X
	628747	BRACKET-DC FAN (2 PER SYSTEM)(SERIAL # 16240756 & ABOVE)	X	X	X
NS	618912	SUPPORT-DC FAN (2 PER SYSTEM) (SERIAL # 16240755 & BELOW)	X	X	X
11	628685	FAN-EXTERNAL DC (2 PER SYSTEM)(914576 & ABOVE)	X	X	X
	618856	FAN-EXTERNAL DC (2 PER SYSTEM)(300000 TO 914575)	X	X	X
12	618093	THERMOSTAT-DC FAN/THERMO DISC	X	X	X
NS	61505122	HOSE CLAMP (SERIAL # 300000 TO 1035934)		X	X
13	618915	BAFFLE DIFFUSER/WIRE ASSY (CU SERIAL # 16240755 & BELOW)	X	X	X
	635339	BAFFLE DIFFUSER/WIRE ASSY (CU SERIAL # 16240756 & ABOVE)	X	X	X

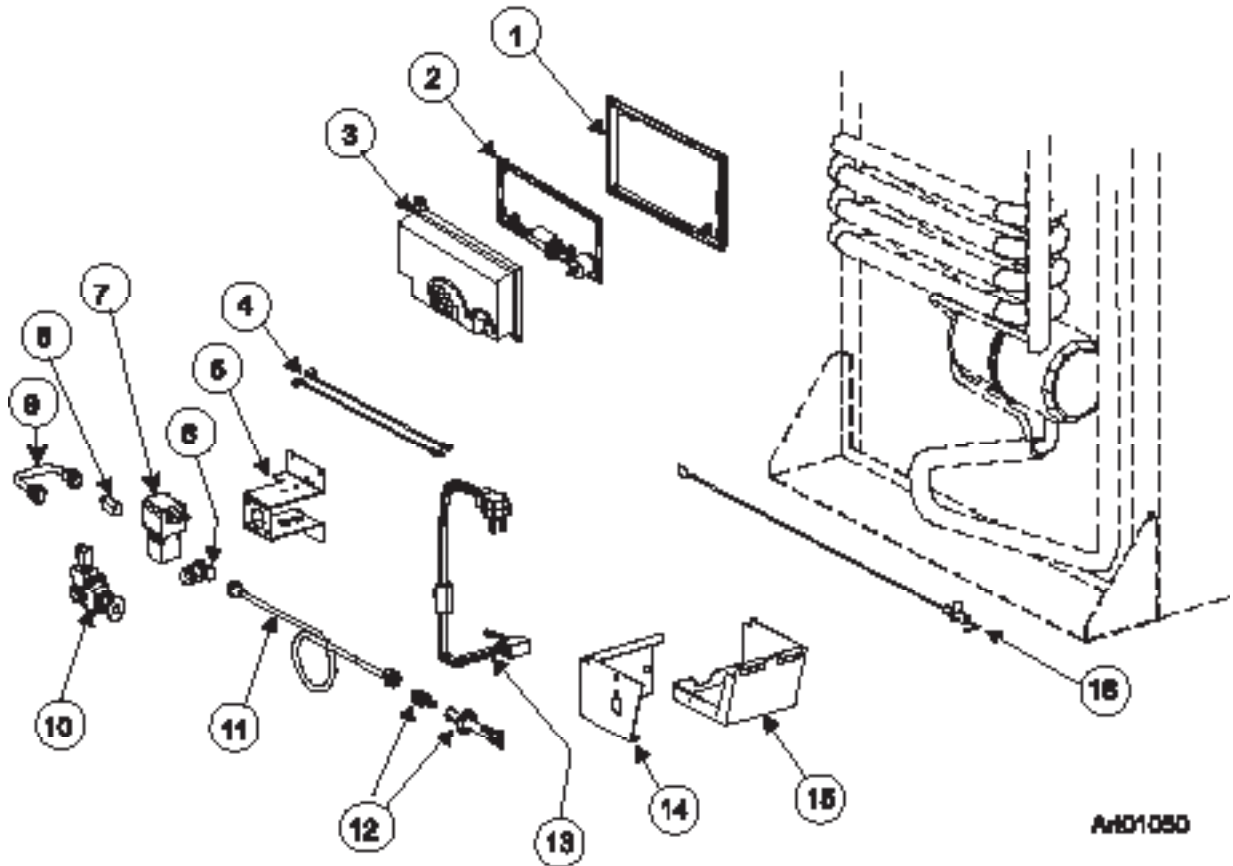
NS = NOT SHOWN



NO LONGER AVAILABLE

# CABINET - REAR VIEW CONTROLS (02/14/1999 & BEFORE) - 1200 SERIES (G/E)

NOTE: FOR MODELS WITH A SEPERATE MANUAL SHUT OFF VALVE (SERIAL # 300000 TO 657908).



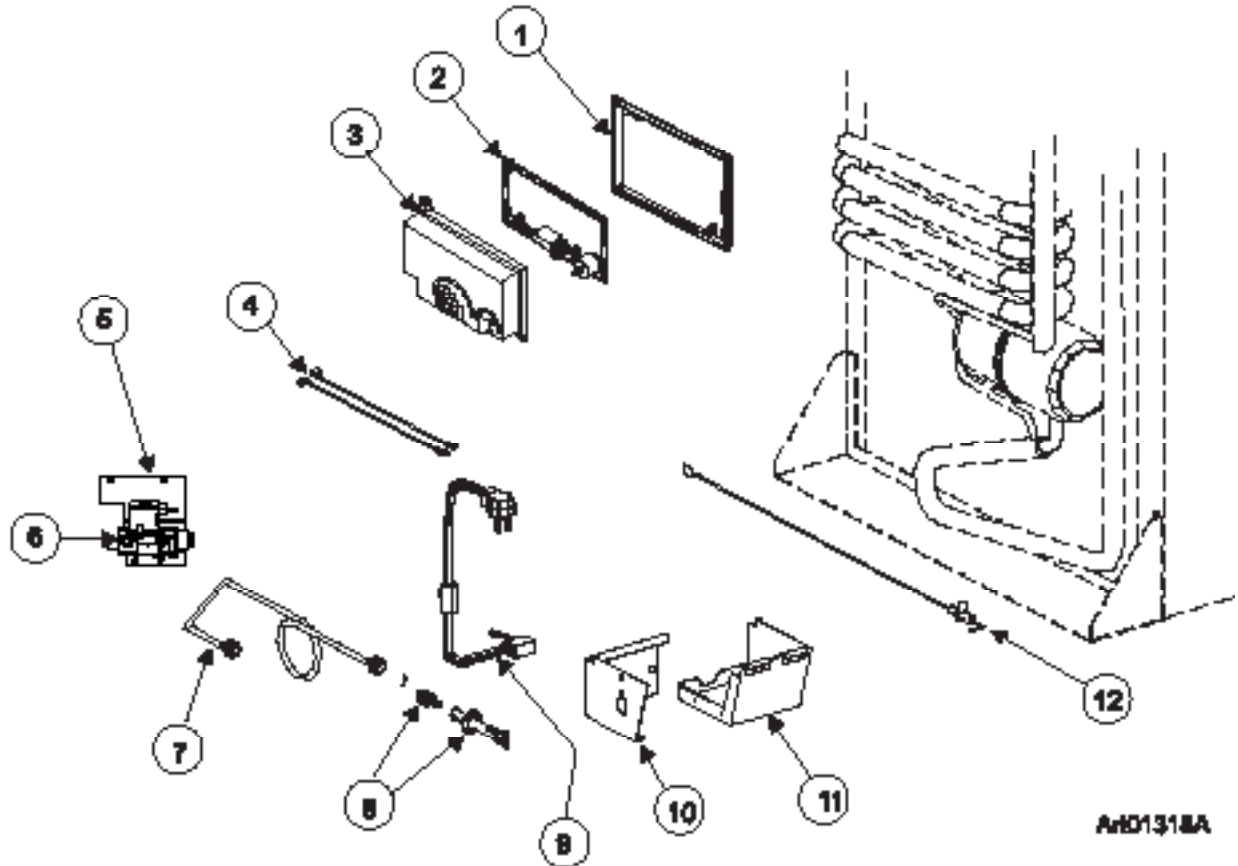
NO.	PART #	DESCRIPTION	1200LR SERIES
1	618186	BASE-POWER BOARD	X
2	624869	KIT-CONTROL ASSY/POWER BOARD/1200 SERIES/GRAY (SERIAL # 0300000 TO 0657908)	SEE NOTE
3	618185	COVER-POWER SUPPLY	X
4	621448	WIRE-WHITE/9"/GAS VALVE (2 PER ASSEMBLY)	X
5	61694022	BRACKET-MOUNTING/GAS VALVE	X
6	61594422	PRESSURE TAP	X
	61445322	PLUG-1/8" FOR PRESSURE TAP	X
7	621334	KIT-GAS VALVE/BRACKET/WIRES	X
8	61546822	CONNECTOR-MALE	X
9	61694622	UNION TUBE	X
10	61694922	MANUAL SHUT OFF VALVE ASSY (USE 621445)	X
11	618937	BURNER TUBE (USE 621445)	X
12	629013	KIT-BURNER ORIFICE ADAPTER ASSY	X
13	61554422	CORD-AC POWER (SERIAL # 300000 TO 657908 FOR MODEL 1200LRIM)	X
	618406	CORD-AC POWER/IM (SERIAL # 300000 to 657908)	X
14	618910	COVER ASSY-BURNER BOX	X
15	618902	BASE-BURNER BOX	X
16	61692222	ELECTRODE-SPARK/SENSE/SINGLE ELECTRODE/0.25" (USE 638097)	X
	638097	KIT SERVICE SPARK SENSE ELECTRODE REPLACEMENT	X

PART IS NO LONGER AVAILABLE

NOTE: IF THE CONTROL ASSY-OPTICAL HAS BEEN REPLACED WITH A KIT-CONTROL ADAPTOR, THE POWER BOARD MUST BE REPLACED WITH A NEW KIT-CONTROL ADAPTER.

# CABINET - REAR VIEW CONTROLS (02/14/1999 & AFTER) - 1200 SERIES (G/E)

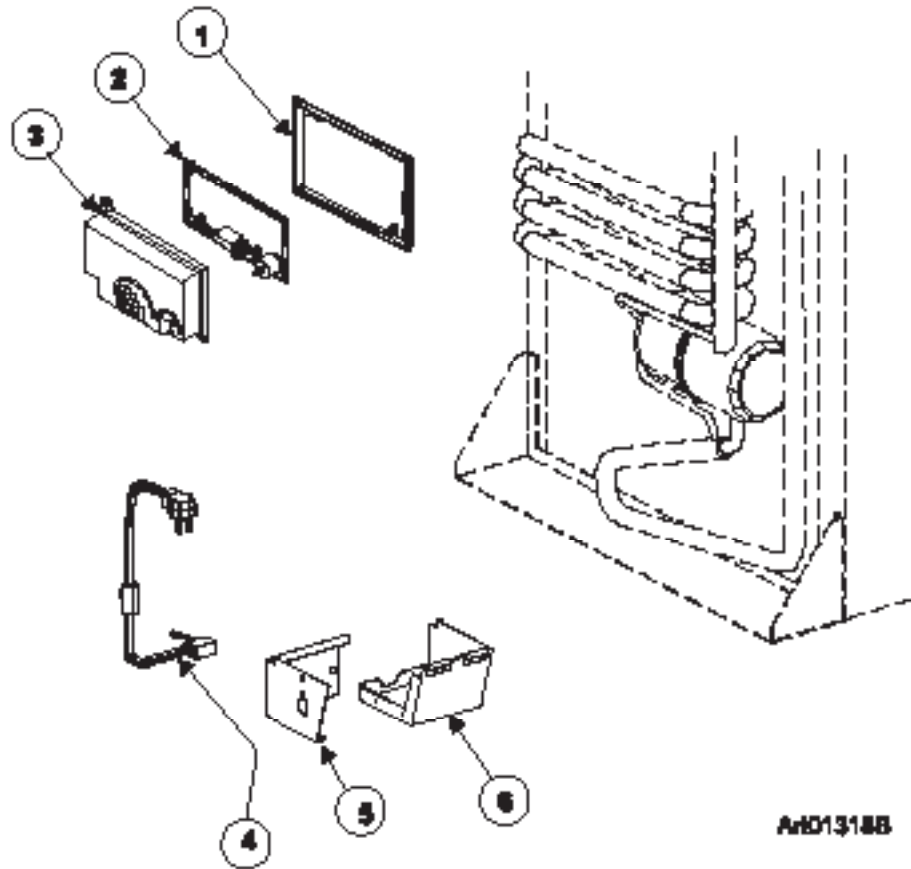
NOTE: FOR MODELS WITH A SEPARATE MANUAL SHUT OFF VALVE (SERIAL # 657909 & ABOVE).



NO.	PART #	DESCRIPTION	1200LR SERIES	1201LR SERIES
1	618186	BASE-POWER BOARD (SERIAL # 8981138 & BELOW)	X	X
	628674	BASE-POWER BOARD (SERIAL # 8981139 & ABOVE)	X	X
2	628661	POWER BOARD (SERIAL # 8981138 & ABOVE)	X	X
	621271001	KIT-POWER BOARD ** (SERIAL # 0832171 TO 8981138)	SEE NOTE	SEE NOTE
	624869	KIT-CONTROL ASSY/POWER BOARD/GRAY (SERIAL # 0657909 TO 832170)	SEE NOTE	SEE NOTE
3	618185	COVER-POWER BOARD (SERIAL # 8981138 & BELOW)	X	X
	628677	COVER-POWER BOARD (SERIAL # 8981139 & ABOVE)	X	X
4	621448	WIRE-WHITE/9"/GAS VALVE (2 PER ASSEMBLY)	X	X
5	624681	BRACKET-GAS VALVE (9186770 & BELOW)	X	X
	628993	BRACKET-GAS VALVE (9186771 & ABOVE)	X	X
6	621334	KIT-GAS VALVE/BRACKET/WIRES (9186770 & BELOW)	X	X
	628741	GAS VALVE (9186771 & ABOVE)	X	X
7	624683	BURNER TUBE-1200 SERIES	X	X
8	629013	KIT-BURNER ORIFICE ADAPTER ASSY (ORIFICE REPLACEMENT)	X	X
9	61554422	CORD-AC POWER (SERIAL # 887329 & ABOVE FOR 1200LRIM)	X	
	618406	CORD-AC POWER/IM (SERIAL # 657909 TO 887328 FOR 1200LRIM)	X	X
	621755	CORD-POWER/ICE MAKER/WHITE (SERIAL # 887329 & ABOVE FOR 1200LRIM)	X	
10	618910	COVER ASSY-BURNER BOX	X	X
11	618902	BASE-BURNER BOX (SERIAL # 16240755 & BELOW)	X	X
	61695322	BASE-BURNER BOX (SERIAL # 16240756 & ABOVE)	X	X
12	61692222	ELECTRODE-SPARK/SENSE/SINGLE ELECTRODE/0.25"	X	X

NOTE: IF THE CONTROL ASSY-OPTICAL HAS BEEN REPLACED WITH A KIT-CONTROL ADAPTOR, THE POWER BOARD MUST BE REPLACED WITH A NEW KIT-CONTROL ADAPTER.

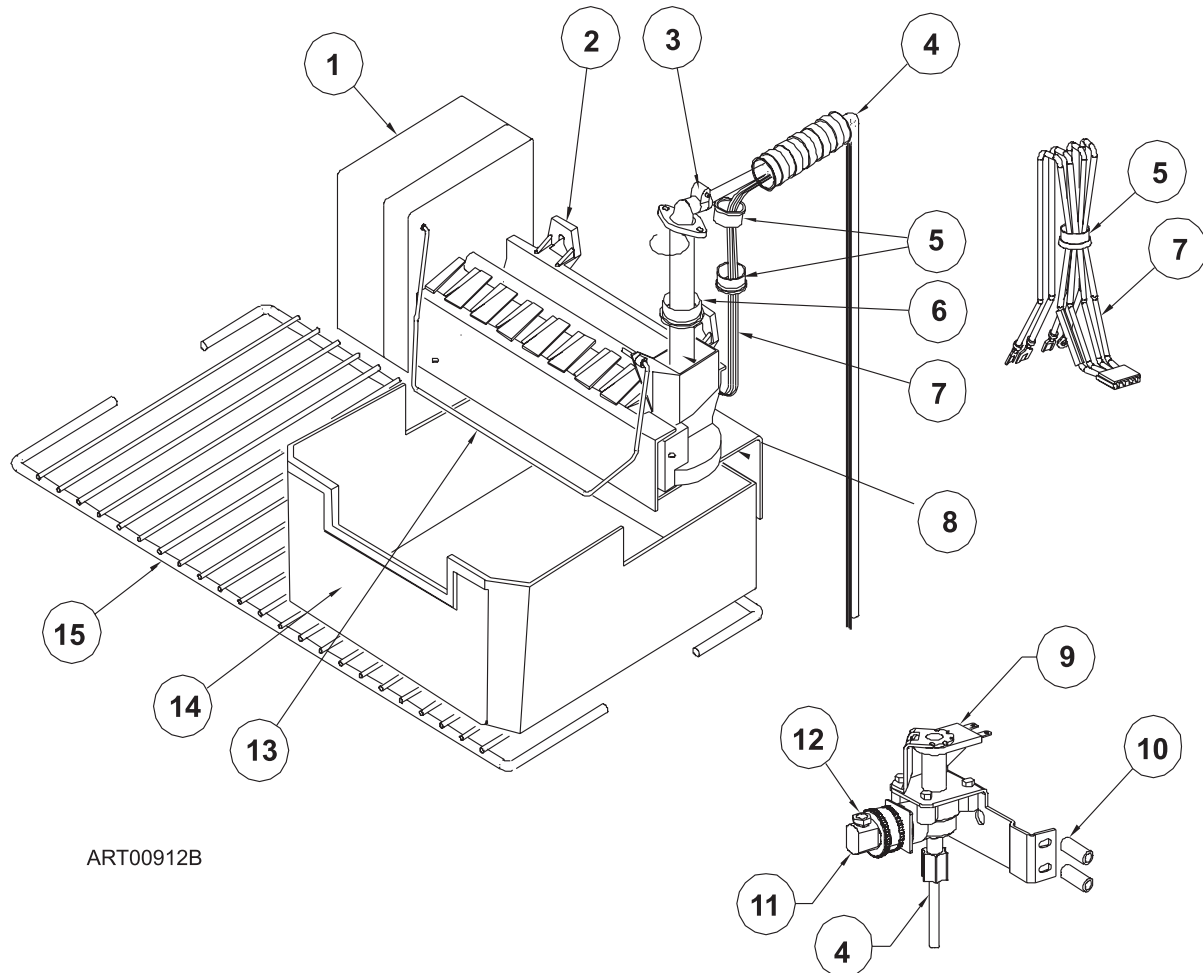
# CABINET - REAR VIEW CONTROLS - 1200AC SERIES (ALL ELECTRIC MODELS)



NO.	PART #	DESCRIPTION	1200AC SERIES
1	628674	BASE-POWER BOARD (SERIAL # 9098172 & ABOVE)	X
	618186	BASE-POWER BOARD (SERIAL # 9098171 & BELOW)	X
2	628661	POWER BOARD (SERIAL # 9098172 & ABOVE)	X
	624317	POWER BOARD (SERIAL # 9098171 & BELOW)	SEE NOTE
3	628677	COVER-POWER BOARD (SERIAL # 9098172 & ABOVE)	X
	618185	COVER-POWER BOARD (SERIAL # 9098171 & BELOW)	X
4	61554422	CORD-AC POWER	X
	621755	CORD-POWER/ICE MAKER/WHITE	X
5	618910	COVER ASSY-BURNER BOX	X
6	618902	BASE-BURNER BOX (SERIAL # 16240755 & BELOW)	X
	61695322	BASE-BURNER BOX (SERIAL # 16240756 & ABOVE)	X

NOTE: IF THE CONTROL ASSY-OPTICAL HAS BEEN REPLACED WITH A KIT-CONTROL ADAPTOR, THE POWER BOARD MUST BE REPLACED WITH A NEW KIT-CONTROL ADAPTER.

# ICE MAKER RELATED COMPONENTS - 1200 SERIES NON-DISPENSER MODELS



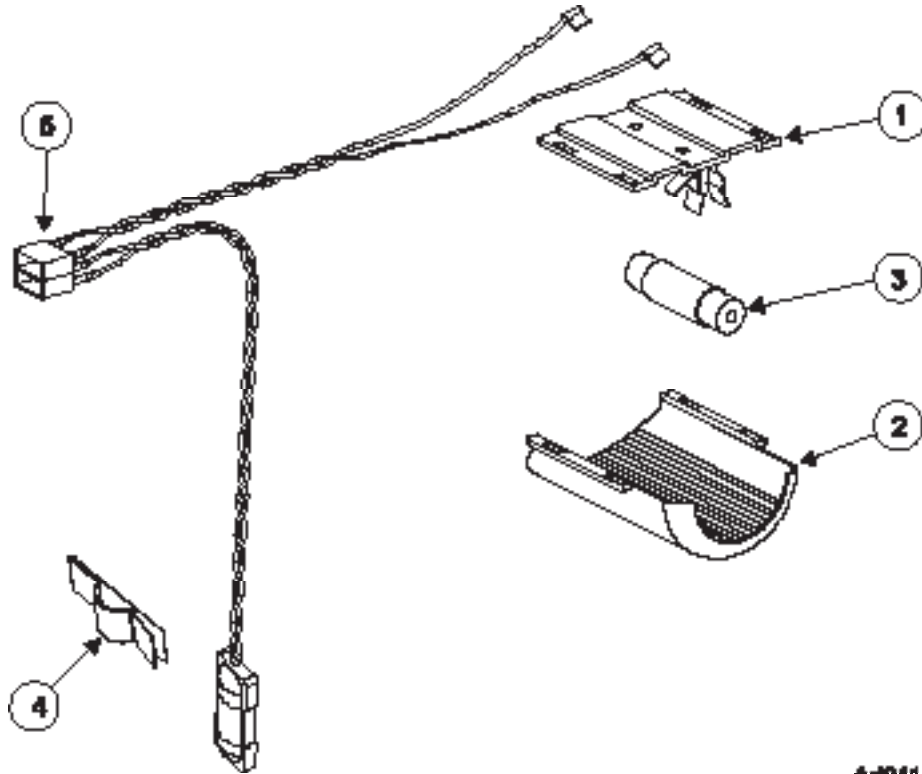
ART00912B

NO.	PART #	DESCRIPTION	1200AC SERIES	1200LR SERIES	1201LR SERIES
1	61656822	COVER-FRONT/ICE MAKER	X	X	X
2	633324	KIT-ICE MAKER	X	X	X
3	61690822	CLAMP-TUBING/IM	X	X	X
4	621429	WATER TUBE/HEATER ASSY/FOR ICE MAKER (MODELS WITHOUT DISPENSER)	X	X	X
	625879	WATER TUBE/HEATER ASSY/FOR ICE MAKER (MODELS WITH DISPENSER)	X	X	X
5	61541422	BUSHING-SNAP	X	X	X
6	620039	FITTING-WATER TUBE/IM/4.17"	X	X	X
7	618407	WIRING HARNESS-IM	X	X	X
8	620890	BRACKET-IM MOUNTING	X	X	X
9	633325	KIT-WATER VALVE/SINGLE PORT	X	X	X
	637164	KIT-WATER VALVE-DISPENSER/DOUBLE PORT	X	X	X
10	618169	SPACER-WATER VALVE/NYLON (2 PER ASSEMBLY)	X	X	X
11	61679622	GARDEN HOSE ADAPTER-STRAIGHT/IM	X	X	X
12	622991	NUT-COMPRESSION/WATER VALVE FITTING/IM/PLASTIC	X	X	X
	622846	NUT-BRASS/GARDEN HOSE ADAPTER	X	X	X
13	61656922	SHUT OFF ARM/IM	X	X	X
14	618803	BIN-ICE	X	X	X
15	632434	SHELF-WIRE/FREEZER/1200 (2 PER CABINET)	X	X	X
NS	620240	THERMOSTAT-IM HEATER ASSY	X	X	X

NS = NOT SHOWN



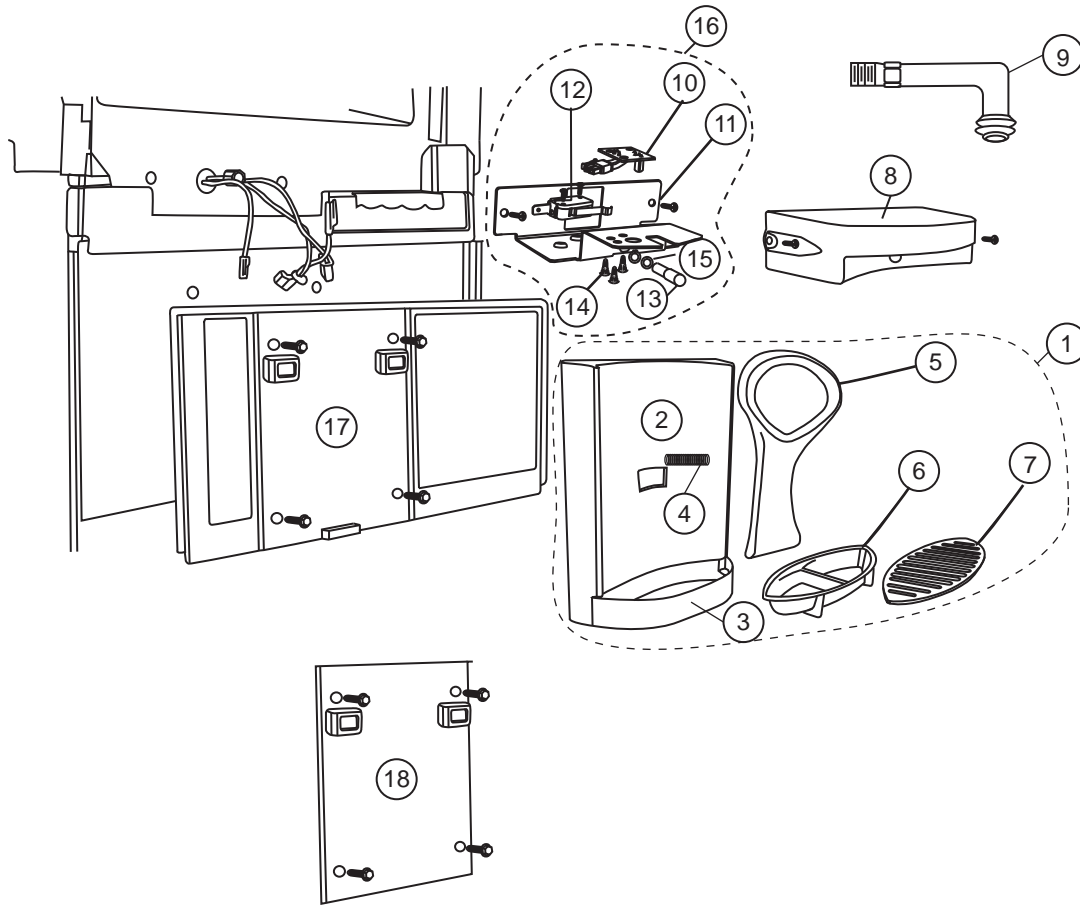
# INTERIOR LIGHT/THERMISTER ASSEMBLY - 1200 SERIES



**Ar101176**

NO.	PART #	DESCRIPTION	1200AC SERIES	1200LR SERIES	1201LR SERIES
1	61629722	LAMP BRACKET ASSY	X	X	X
2	621827	COVER-LAMP BRACKET	X	X	X
3	632545	LAMP-DC LIGHT BULB	X	X	X
4	633734	CLIP-THERMISTER MOUNTING/FIN	X	X	X
5	636658	LAMP/THERMISTER WIRE ASSY (SERIAL # 849677 & ABOVE)	X	X	X
	621742	KIT-LAMP THERMISTER WIRE ASSY (SERIAL # 300000 TO 849677)		X	X

# WATER DISPENSER



NO.	PART #	DESCRIPTION	1200AC SERIES	1200LR SERIES	1201LR SERIES
1	625854	BACKSPLASH ASSY	X	X	X
2	627570	BACKSPLASH/CLIP ASSY (USE 635687)	X	X	X
	635687	BACKSPLASH/CLIP ASSY	X	X	X
3	625366	DRIP TRAY	X	X	X
4	618182	SPRING-COMPRESSION	X	X	X
5	624391	PADDLE	X	X	X
6	625385	DRIP CUP	X	X	X
7	625241	DRAIN GRID	X	X	X
8	624388	HOUSING	X	X	X
9	626820	SPIGOT	X	X	X
10	627143	BOARD-LED	X	X	X
11	624387	BRACKET-SWITCH	X	X	X
12	624574	SWITCH	X	X	X
13	624392	PLUNGER-SWITCH	X	X	X
14	625006	FASTENER-LED BOARD	X	X	X
15	624573	RING-RETAINING	X	X	X
16	625855	SWITCH/BRACKET ASSY	X	X	X
17	624390	TRIM PANEL (USE WITH PANEL TYPE DOORS)	X	X	X
18	625506	TRIM PANEL (USE WITH WRAP TYPE DOORS)	X	X	X
NS	624502	RESERVOIR-WATER (NOT SHOWN)	X	X	X

PART IS NO LONGER AVAILABLE







# PARTS LIST 1210 SERIES

## **ALL ELECTRIC MODELS PANEL TYPE DOORS**

1210ACIM  
1210ACIMD

### **WRAP TYPE DOORS**

1210ACIMSSD  
1210ACSS

## **GAS ELECTRIC MODELS PANEL TYPE DOORS**

1210            1210C  
1210IM        1210IMC  
1210IMD  
1210IMPFS  
1211IM        1211IMC

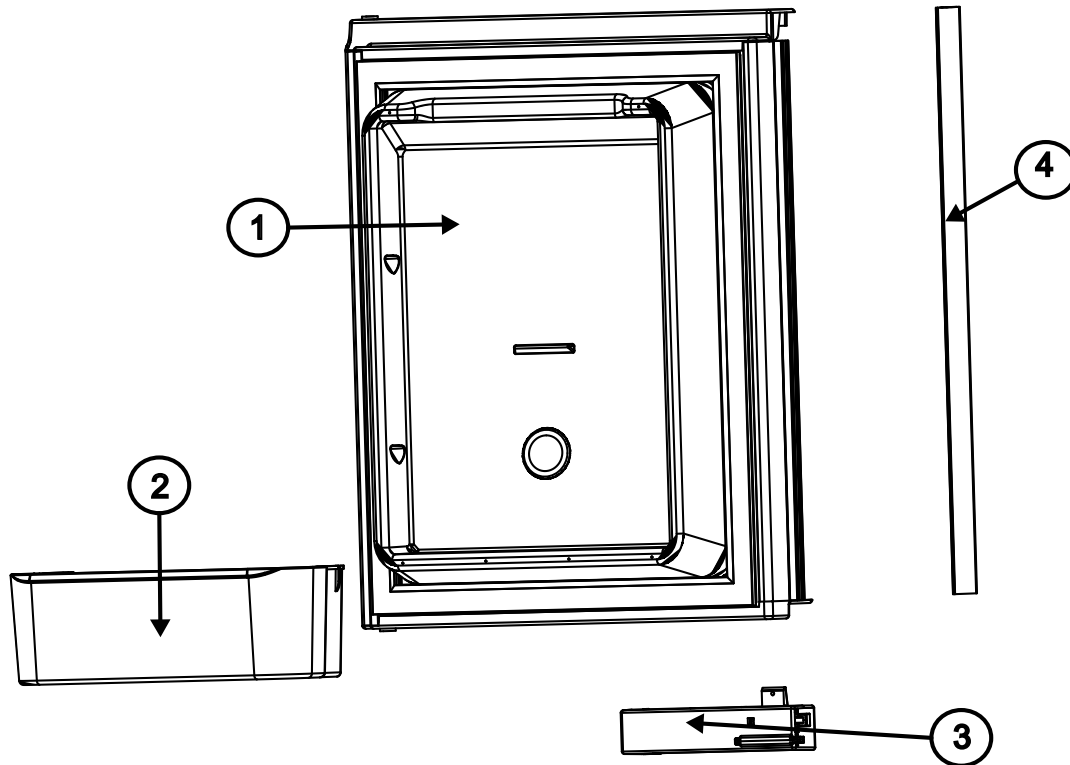
### **WRAP TYPE DOORS**

1210BK  
1210IMBK  
1210IMBKD  
1210IMSS      1210IMCSS  
1210IMSSD    1210IMCSSD  
1210SS  
1211IMSS  
1211IMWPM  
1211WPM

### **MODEL IDENTIFICATION CODES**

AC = ALL ELECTRIC MODELS  
IM = ICE MAKER MODELS  
BK = BLACK WRAPPED MODELS  
PFS = PANEL DOOR WITH FAUX SS DOOR PANELS INSERTED  
SS = STAINLESS STEEL WRAPPED MODELS  
WPM = PEWTER ROYCE WRAPPED DOOR MODELS  
D = WATER DISPENSER MODELS

# DOOR - UPPER RH - 1210 SERIES



NO.	PART #	DESCRIPTION	1210AC MODELS	1210 1210C MODELS	1211 1211C MODELS
1	627942	DOOR LINER ASSY-UPPER/RH/PANEL	PN	PN	PN
	629130	DOOR LINER ASSY-UPPER/RH/WRAP/BLACK (USE 632740)		BK	
	632740	DOOR LINER ASSY-UPPER/RH/WRAP/AT BLACK (07/30/08 TO SN 14305975)		BK	
	634073	DOOR LINER ASSY-UPPER/RH/WRAP/ANCO BLACK (SN 14305976 & ABOVE)		BK	
	630094	DOOR LINER ASSY-UPPER/RH/WRAP/SS (VALSPAR)(SN 9658578 TO 11723120)	SS	SS	SS
	632739	DOOR LINER ASSY-UPPER/RH/WRAP/SS (AT)(SN 11723121 THRU 13081918)	SS	SS	SS
	634068	DOOR LINER ASSY-UPPER/RH/WRAP/SS (ANCO)(SN 13081919 & ABOVE)	SS	SS	SS
	62913401	DOOR LINER ASSY-UPPER/RH/WRAP/PEWTER ROYCE			WPM
2	628686	BIN-DOOR SHELF	ALL	ALL	ALL
3	629815	DOOR HANDLE ASSY-UPPER RH DOOR/LOWER LH DOOR	ALL	ALL	ALL
	621106	DOOR HANDLE ASSY-UPPER RH DOOR/LOWER LH DOOR			ONLY 1211WPM
NS	619374	STORAGE LATCH-DOOR/BLACK (NOT SHOWN)			ALL
4	627947	PANEL RETAINER-UPPER/PANEL TYPE ONLY	PN	PN	PN

PART IS NO LONGER AVAILALBLE

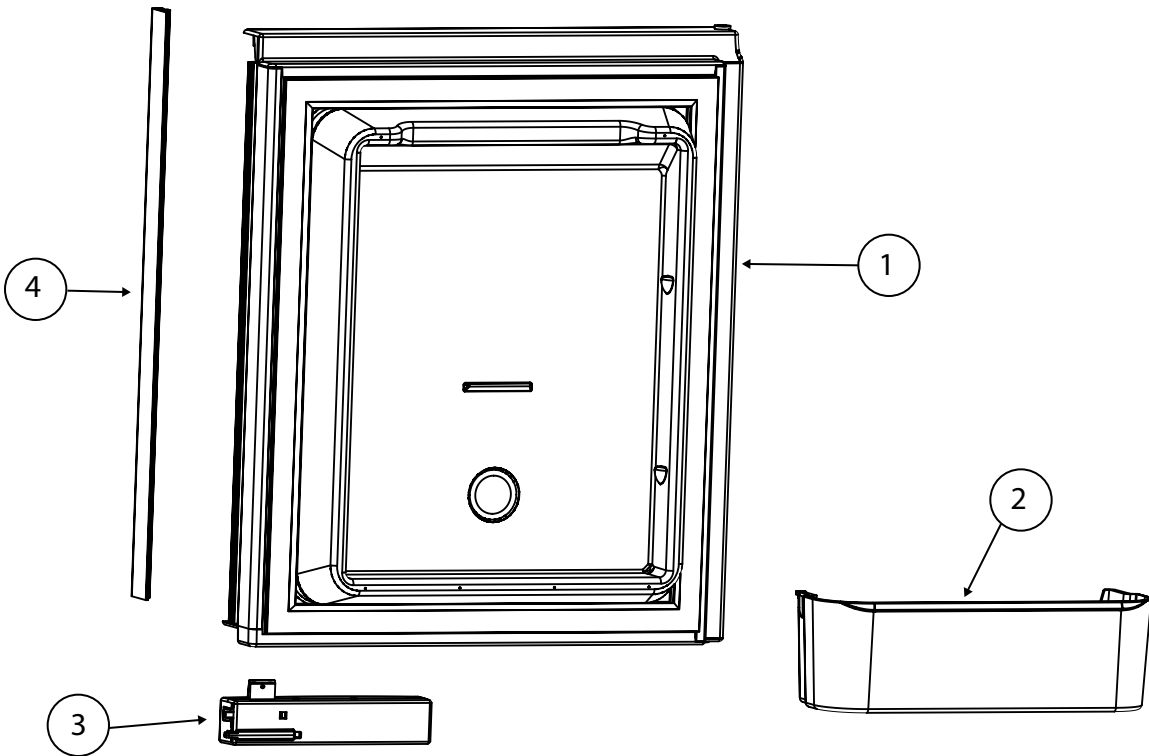
PN = PANEL TYPE DOORS

BK = BLACK WRAP TYPE DOORS

SS = STAINLESS STEEL WRAP TYPE DOORS

WPM = PEWTER ROYCE WRAP TYPE DOORS

# DOOR - UPPER LH - 1210 SERIES



NO.	PART #	DESCRIPTION	1210AC MODELS	1210 1210C MODELS	1211 1211C MODELS
1	627941	DOOR LINER ASSY-UPPER/LH/PANEL	PN	PN	PN
	629129	DOOR LINER ASSY-UPPER/LH/WRAP/BLACK (USE 632742)		BK	
	632742	DOOR LINER ASSY-UPPER/LH/WRAP/AT BLACK (07/30/08 TO SN 14305975)		BK	
	634074	DOOR LINER ASSY-UPPER/LH/WRAP/ANCO BLACK (SN 14305976 & ABOVE)		BK	
	630095	DOOR LINER ASSY-UPPER/LH/WRAP/SS (VALSPAR)(SN 9658578 TO 11723120)	SS	SS	SS
	632741	DOOR LINER ASSY-UPPER/LH/WRAP/SS (AT)(SN 11723121 THRU 13081918)	SS	SS	SS
	634069	DOOR LINER ASSY-UPPER/LH/WRAP/SS (ANCO)(SN 13081919 & ABOVE)	SS	SS	SS
	62913301	DOOR LINER ASSY-UPPER/LH/WRAP/PEWTER ROYCE			WPM
2	628686	BIN-DOOR SHELF	ALL	ALL	ALL
3	629814	DOOR HANDLE ASSY-UPPER LH DOOR/LOWER RH DOOR	ALL	ALL	ALL
	621107	DOOR HANDLE ASSY-UPPER LH DOOR/LOWER RH DOOR			ONLY 1211WPM
NS	619374	STORAGE LATCH-DOOR/BLACK (NOT SHOWN)			ALL
4	627947	PANEL RETAINER-UPPER (PANEL TYPE ONLY)	PN	PN	PN

PART IS NO LONGER AVAILABLE

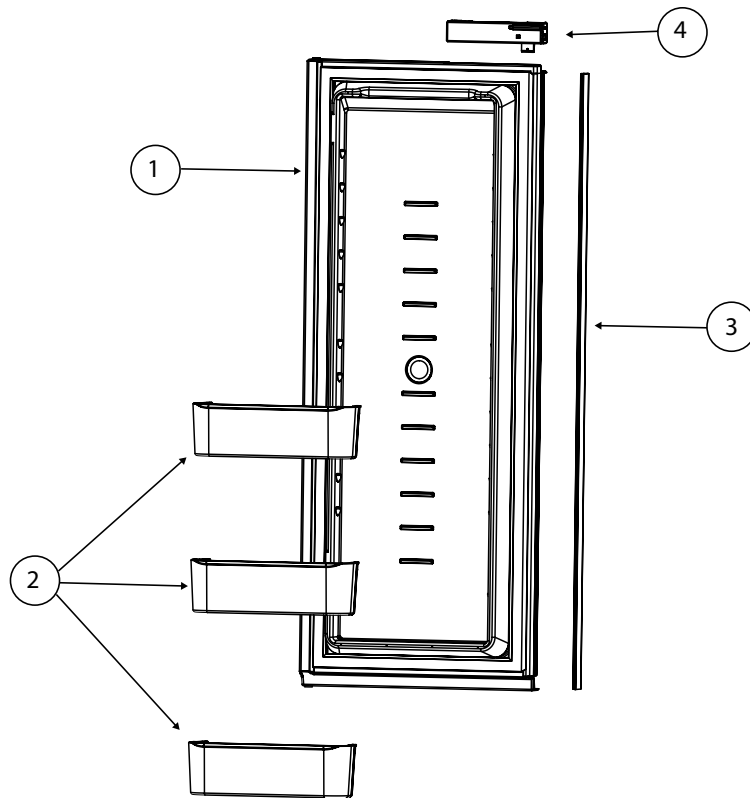
PN = PANEL TYPE DOORS

BK = BLACK WRAP TYPE DOORS

SS = STAINLESS STEEL WRAP TYPE DOORS

WPM = PEWTER ROYCE WRAP TYPE DOORS

# DOOR - LOWER RH - 1210 SERIES



NO.	PART #	DESCRIPTION	1210AC MODELS	1210 1210C MODELS	1211 1211C MODELS
1	627944	DOOR LINER ASSY-LOWER/RH/PANEL	PN	PN	PN
	629132	DOOR LINER ASSY-LOWER/RH/WRAP/BLACK (USE 632744)		BK	
	632744	DOOR LINER ASSY-LOWER/RH/WRAP/AT BLACK (07/30/08 TO SN 14305975) (USE 634075)		BK	
	634075	DOOR LINER ASSY-LOWER/RH/WRAP/ANCO BLACK (SN 14305976 & ABOVE)		BK	
	630096	DOOR LINER ASSY-LOWER/RH/WRAP/SS (VALSPAR)(SN 9658578 TO 11723120) (USE 634070)	SS	SS	SS
	632743	DOOR LINER ASSY-LOWER/RH/WRAP/SS (AT)(SN 11723121 THRU 13081918) (USE 634070)	SS	SS	SS
	634070	DOOR LINER ASSY-LOWER/RH/WRAP/SS (ANCO)(SN 13081919 & ABOVE)	SS	SS	SS
	62913601	DOOR LINER ASSY-LOWER/RH/WRAP/PEWTER ROYCE			WPM
2	628686	BIN-DOOR SHELF	ALL	ALL	ALL
3	627948	PANEL RETAINER-LOWER (PANEL TYPE ONLY)	PN	PN	PN
4	629814	DOOR HANDLE ASSY-UPPER LH DOOR/LOWER RH DOOR	ALL	ALL	ALL
	621107	DOOR HANDLE ASSY-UPPER LH DOOR/LOWER RH DOOR			ONLY 1211WPM
NS	619374	STORAGE LATCH-DOOR/BLACK (NOT SHOWN)			ALL

PART IS NO LONGER AVAILABLE

PN = PANEL TYPE DOORS

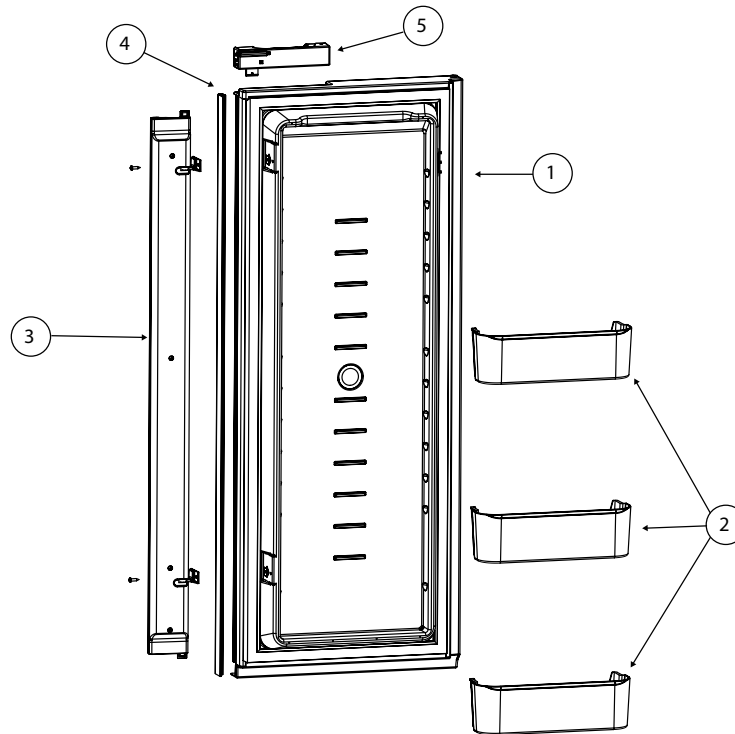
BK = BLACK WRAP TYPE DOORS

SS = STAINLESS STEEL WRAP TYPE DOORS

WPM = PEWTER ROYCE WRAP TYPE DOORS



# DOOR - LOWER LH - 1210 SERIES



NO.	PART #	DESCRIPTION	1210AC MODELS	1210 1210C MODELS	1211 1211C MODELS
1	627943	DOOR LINER ASSY-LOWER/LH/PANEL	PN	PN	PN
	629146	DOOR LINER ASSY-LOWER/LH/PANEL/DISPENSER		PND	
	629131	DOOR LINER ASSY-LOWER/LH/WRAP/BLACK		BK	
	632747	DOOR LINER ASSY-LOWER/LH/WRAP/AT BLACK (07/30/08 TO SN 14305975) (USE 634076)		BK	
	634076	DOOR LINER ASSY-LOWER/LH/WRAP/ANCO BLACK (SN 14305976 & ABOVE)		BK	
	629148	DOOR LINER ASSY-LOWER/LH/WRAP/BLACK/DISPENSER		BKD	
	632748	DOOR LINER ASSY-LOWER/LH/WRAP/AT BLACK/DISPENSER (07/30/08 TO SN 14305975)		BKD	
	634077	DOOR LINER ASSY-LOWER/LH/WRAP/ANCO BLACK/DISPENSER (SN 14305976 & ABOVE)		BKD	
	630097	DOOR LINER ASSY-LOWER/LH/WRAP/SS (VALSPAR)(SN 9658578 TO 11723120) (USE 632745)	SS	SS	SS
	632745	DOOR LINER ASSY-LOWER/LH/WRAP/SS (AT)(SN 11723121 THRU 13081918)	SS	SS	SS
	634071	DOOR LINER ASSY-LOWER/LH/WRAP/SS (ANCO)(SN 13081919 & ABOVE)	SS	SS	SS
	630098	DOOR LINER ASSY-LOWER/LH/WRAP/SS/DISPENSER (VALSPAR)(SN 9658578 TO 11723120)	SSD	SSD	SSD
	632746	DOOR LINER ASSY-LOWER/LH/WRAP/SS/DISPENSER (AT)(SN 11723121 THRU 13081918)	SSD	SSD	SSD
	634072	DOOR LINER ASSY-LOWER/LH/WRAP/SS/DISPENSER (ANCO)(SN 13081919 & ABOVE)	SSD	SSD	SSD
	62913501	DOOR LINER ASSY-LOWER/LH/WRAP/PEWTER ROYCE			WPM
2	628686	BIN-DOOR SHELF	ALL	ALL	ALL
3	631030	FLAPPER ASSY (SERIAL # 10414601 AND ABOVE)	ALL	ALL	ALL
	631366	KIT-FLAPPER ASSY/GUIDE BLOCKS (SERIAL# 10414600 & BELOW)	ALL	ALL	ALL
4	627948	PANEL RETAINER-LOWER (PANEL TYPE ONLY)	PN	PN	PN
5	629815	DOOR HANDLE ASSY-UPPER RH DOOR/LOWER LH DOOR	ALL	ALL	ALL
	621106	DOOR HANDLE ASSY-UPPER RH DOOR/LOWER LH DOOR			ONLY 1211WPM
NS	619374	STORAGE LATCH-DOOR/BLACK (NOT SHOWN)			ALL

PART IS NO LONGER AVAILABLE

PN = PANEL TYPE DOORS

PND = PANEL TYPE DOORS DISPENSER MODELS

BK = BLACK WRAP TYPE DOORS

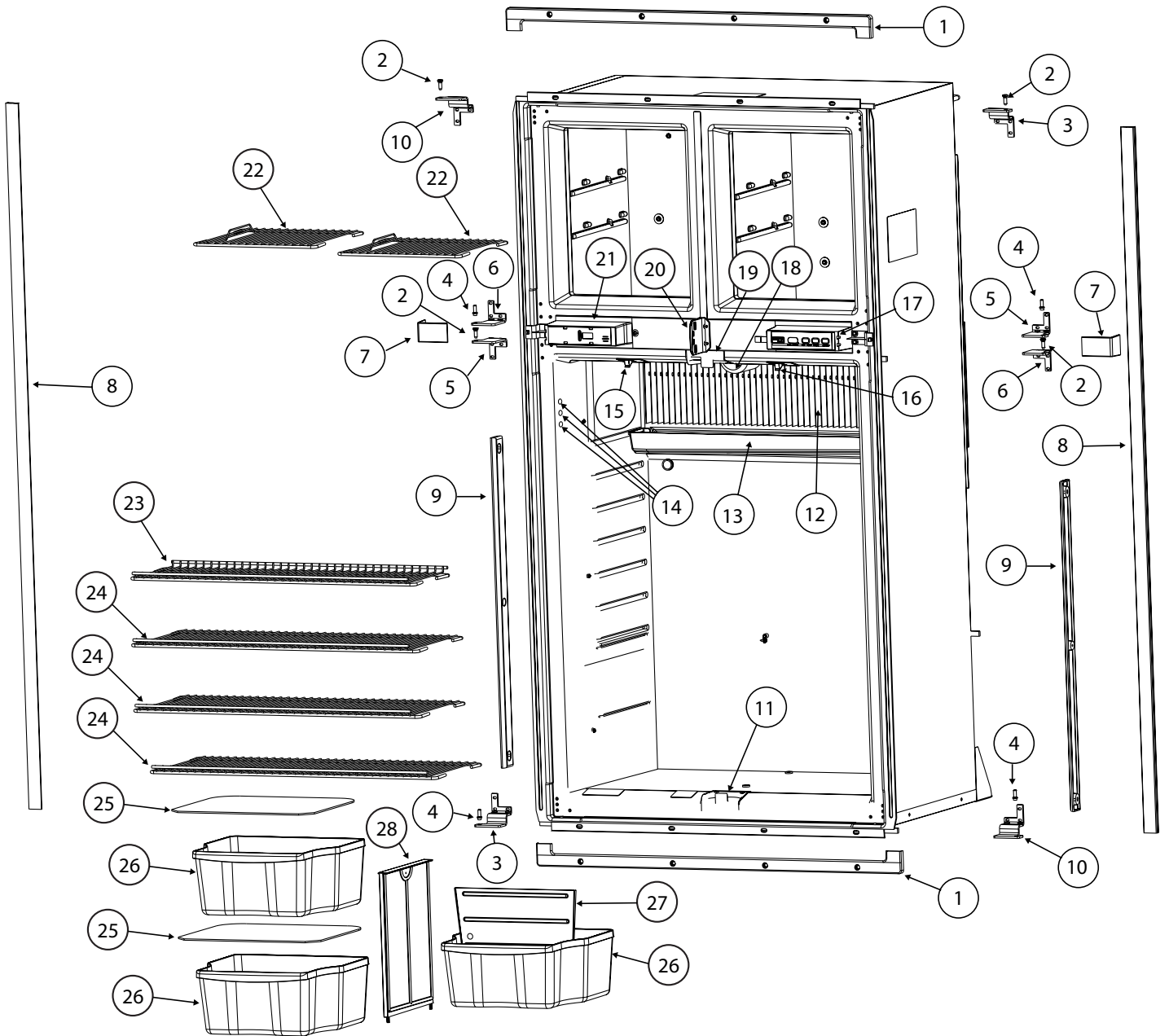
BKD - BLACK WRAP TYPE DOORS DISPENSER MODELS

SS = STAINLESS STEEL WRAP TYPE DOORS

SSD = STAINLESS STEEL WRAP TYPE DOORS DISPENSER MODELS

WPM = PEWTER ROYCE WRAP TYPE DOORS

# CABINET ASSEMBLY - FRONT VIEW - 1210 SERIES



## CABINET ASSEMBLY - FRONT VIEW - 1210 SERIES

NO.	PART #	DESCRIPTION	1210AC MODELS	1210 1210C MODELS	1211 1211C MODELS
1	623528	KIT-INSTALLATION ("U" TRIM PIECES/SCREWS/CAPS)	X	X	X
NS	618170	HOLE PLUG-FOR TOP TRIM PIECE/BLACK	X	X	X
2	623899	HINGE PIN-UPPER/BLACK (USE 638780)	X	X	X
	638780	KIT SERVICE UPPER HINGE PIN REPLACEMENT	X	X	X
3	628946	HINGE-OUTSIDE/UPPER RH/LOWER LH	X	X	X
4	61550722	HINGE PIN-LOWER (USE 638636)	X	X	X
	638636	KIT SERVICE LWR HINGE PIN REPLACEMENT	X	X	X
5	624363	HINGE-INSIDE/UPPER RH/LOWER LH	X	X	X
6	624364	HINGE-INSIDE/UPPER LH/LOWER RH	X	X	X
7	627955	COVER-HINGE/1210 SERIES	X	X	X
8	623254	TRIM PIECE-SIDE/WITH "U" TOP/BOTTOM TRIM PIECE	X	X	X
9	622033	RETAINER-SHELF	X	X	X
10	628945	HINGE-OUTSIDE/UPPER LH/LOWER/RH	X	X	X
11	631360	GUIDE BLOCK ASSY-BOTTOM/BLACK (SERIAL # 10414601 & ABOVE)	X	X	X
	631366	KIT-FLAPPER ASSY/GUIDE BLOCKS (SERIAL# 10414600 & BELOW)	X	X	X
12	618785	FINS	X	X	X
13	618774	DRIP TRAY-INSIDE/CABINET	X	X	X
NS	622392	DRAIN HOSE ASSY-1200 SERIES	X	X	X
14	620689	PROBE-CONTACT/LARGE	X	X	X
15	623918	SWITCH-DOOR LIGHT/1200 SERIES	X	X	X
16	620871	LAMP THERMISTER WIRE ASSY	X	X	X
17	629113	CONTROL ASSY-OPTICAL/GE/1210 SERIES		X	X
	629817	CONTROL ASSY-OPTICAL/AC/1210 SERIES	X		
18	621827	COVER-LAMP BRACKET	X	X	X

Continued on next page

## CABINET ASSEMBLY - FRONT VIEW - 1210 SERIES

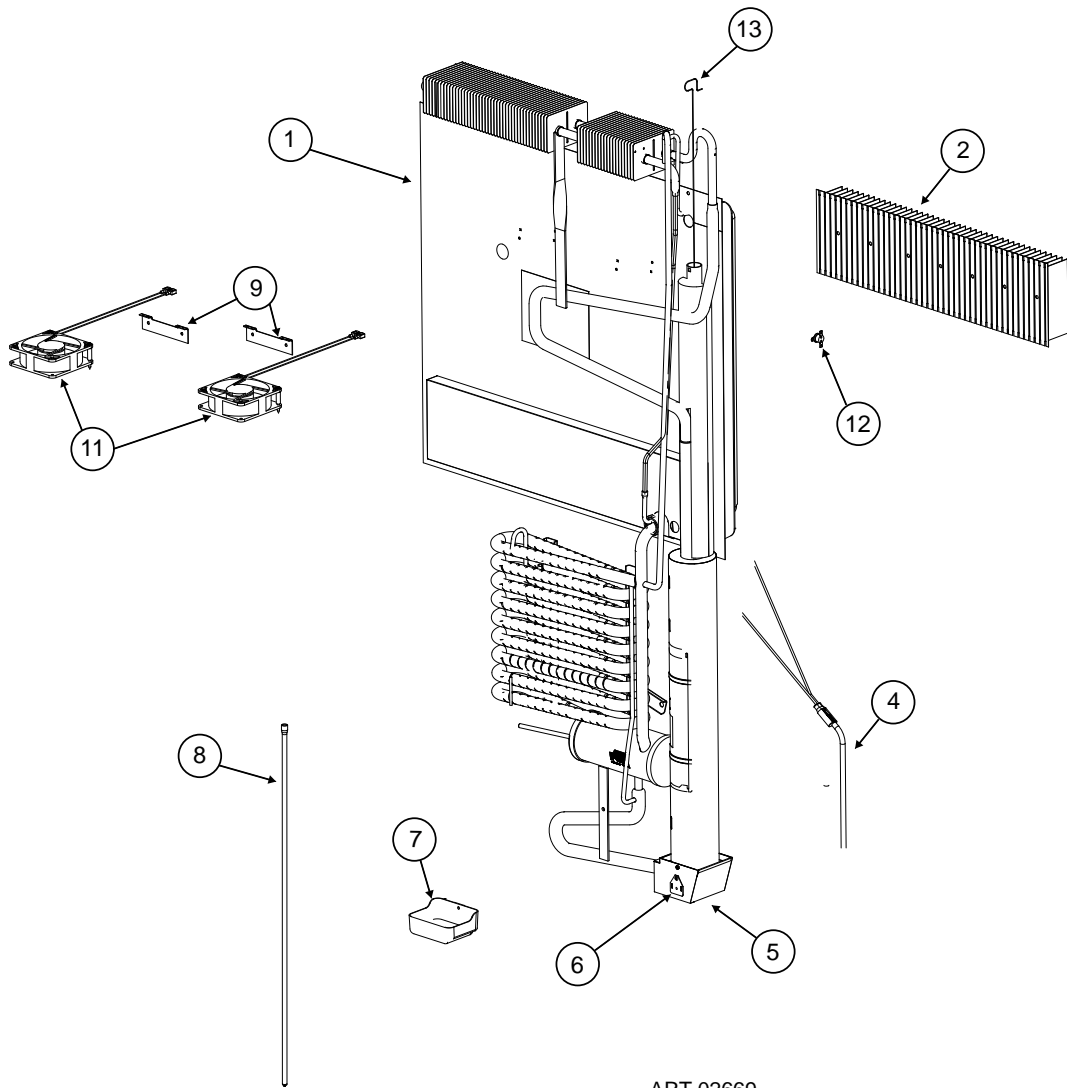
NS	61629722	LAMP BRACKET ASSY (USE 638292)	X	X	X
	638292	KIT SERVICE LAMP BRACKET REPLACEMENT	X	X	X
NS	632545	LAMP-DC LIGHT BULB	X	X	X
19	631359	GUIDE BLOCK ASSY-TOP/BLACK (SERIAL # 10414601 & ABOVE)	X	X	X
	631366	KIT-FLAPPER ASSY/GUIDE BLOCKS (SERIAL# 10414600 & BELOW)	X	X	X
20	628473	STRIKE PLATE-BLACK	X	X	X
21	624366	FRONT BOX-DUMMY BOX (NON-DISPENSER MODELS ONLY)	X	X	X
NS	628460	PLATE-FOR DUMMY BOX (NON-DISPENSER MODELS ONLY)	X	X	X
NS	628454	CONTROL PANEL (DISPENSER MODELS ONLY)	X	X	X
22	618847	SHELF-WIRE/FREEZER/1200 SERIES (USE 632434)	X	X	X
	632434	SHELF-WIRE/FREEZER/1200 SERIES	X	X	X
23	618849	SHELF-WIRE/SHORT/1200 SERIES (USE 632436)	X	X	X
	632436	SHELF-WIRE/SHORT/1200 SERIES	X	X	X
24	618848	SHELF-WIRE/LONG/1200 SERIES (S/N 18023741 AND BELOW)	X	X	X
	632435	SHELF-WIRE/LONG/1200 SERIES (S/N 18023742 AND ABOVE)	X	X	X
25	618757	CRISPER COVER-GLASS SHELF	X	X	X
26	628688	BIN-BOTTLE/CRISPER	X	X	X
27	628694	DIVIDER-BOTTLE CRISPER	X	X	X
28	632608	SUPPORT WALL-FOR CRISPER BIN	X	X	X
29	625210	STRIP-FREEZER-BLACK	X	X	X
NS	61630422	ICE CUBE TRAY-PLASTIC (NON-ICE MAKER MODELS ONLY)	X	X	X
NS	638394	KIT SERV THERMISTER REPLACEMENT	X	X	X

NS = NOT SHOWN



PART NO LONGER AVAILABLE

# CABINET ASSEMBLY - REAR VIEW (COOLING UNIT AREA) - 1210 SERIES



ART 02669

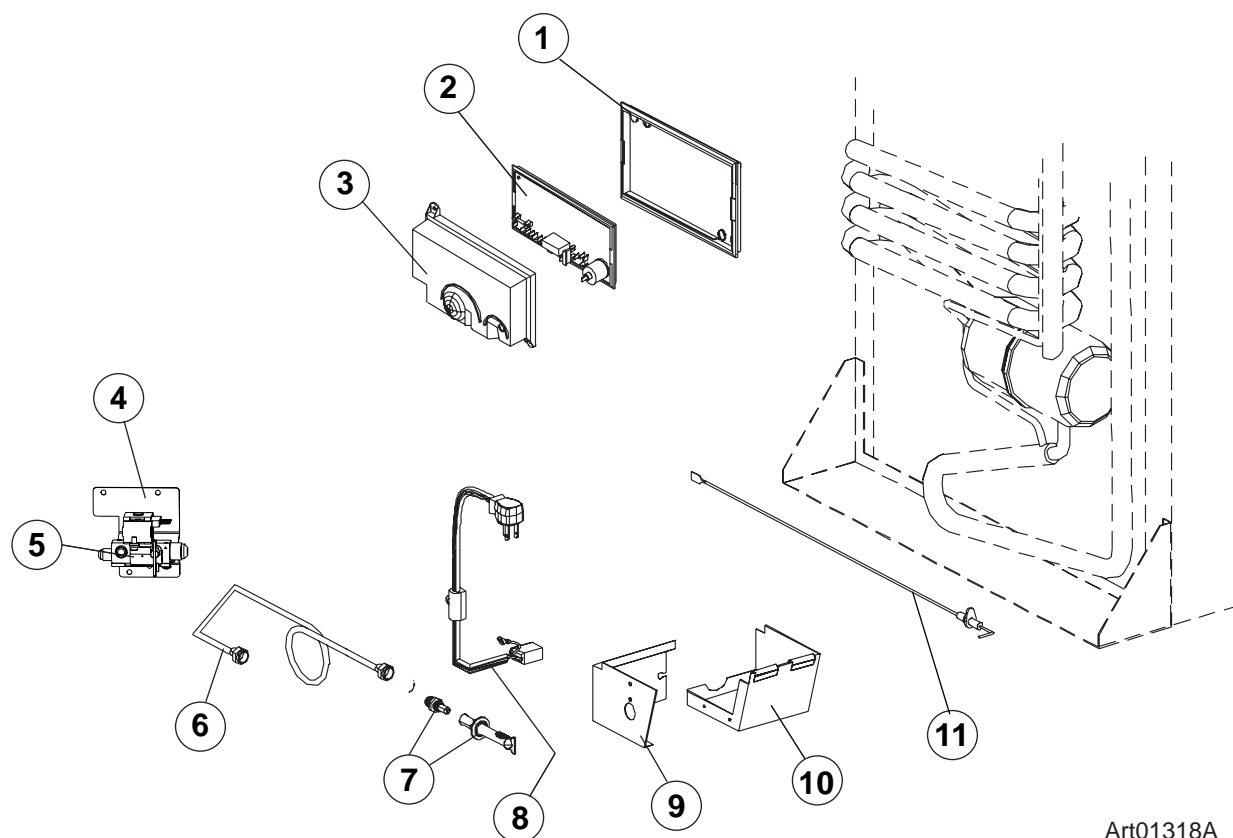
## CABINET ASSEMBLY - REAR VIEW (COOLING UNIT AREA) - 1210 SERIES

NO.	PART #	DESCRIPTION	1210AC MODELS	1210 1210C MODELS	1211 1211C MODELS
1	634746	**SYSTEM PACK-COOLING UNIT/STEP (BACKER HEATER) (SERIAL # 14883315 & BELOW) (COOLING UNIT 16273577 AND BELOW)	X	X	X
	634747	**SYSTEM PACK-COOLING UNIT/STRAIGHT (BACKER HEATER) (SERIAL # 14883316 & ABOVE) (COOLING UNIT 16273577 AND ABOVE)	X	X	X
** THIS SYSTEM PACK MUST ALSO USE 635614 BURNER/ORIFICE ADAPTER KIT					
2	618785	FINS-EVAPORATOR	X	X	X
NS	629099	CAP-HEAT DEFLECTOR (SERIAL # 16240755 & BELOW)	X	X	X
NS	637360	TEMPERATURE MONITOR CONTROL KIT (SERIAL # 13885590 & ABOVE)	X	X	X
4	618872	HEATER-AC (2 PER SYSTEM)(COOLING UNIT SERIAL# 11231145 & BELOW)	X	X	X
	630807	HEATER-AC/BACKER (2 PER SYSTEM)(COOLING UNIT SERIAL# 11231146 & ABOVE) (USE 638372)	X	X	X
	638372	KIT SERVICE HEATER REPLACEMENT	X	X	X
5	618902	BASE-BURNER BOX (SERIAL # 16240755 & BELOW)	X	X	X
	61695322	BASE-BURNER BOX (SERIAL # 16240756 & ABOVE)	X	X	X
6	637158	KIT-COVER ASSY-BURNER BOX	X	X	X
7	622546	DRIP CUP-REAR/PLASTIC	X	X	X
8	622392	DRAIN HOSE ASSY (SERIAL # 16240755 & BELOW)	X	X	X
	635407	DRAIN HOSE ASSY (SERIAL # 16240756 & ABOVE)	X	X	X
9	628747	BRACKET-DC FAN (2 PER SYSTEM) (SERIAL # 9144576 THRU 16240755)	X	X	X
	628747	BRACKET-DC FAN (2 PER SYSTEM) (SERIAL # 16240756 & ABOVE)	X	X	X
11	628685	FAN-EXTERNAL DC (2 PER SYSTEM)	X	X	X
	636441	FAN-EXTERNAL DC (2 PER SYSTEM)(USE 628685)	X	X	X
12	618093	THERMOSTAT-DC FAN/THERMO DISC (USE 638278)	X	X	X
	638278	KIT SERVICE FAN THERMOSTAT REPLACEMENT	X	X	X
13	618915	BAFFLE DIFFUSER/WIRE ASSY (SERIAL # 16240755 & BELOW)	X	X	X
	635339	BAFFLE DIFFUSER/WIRE ASSY (SERIAL # 16240756 & ABOVE)	X	X	X
NS	628011	SPACER-NYLON	X	X	X

NS = NOT SHOWN

 NO LONGER AVAILABLE

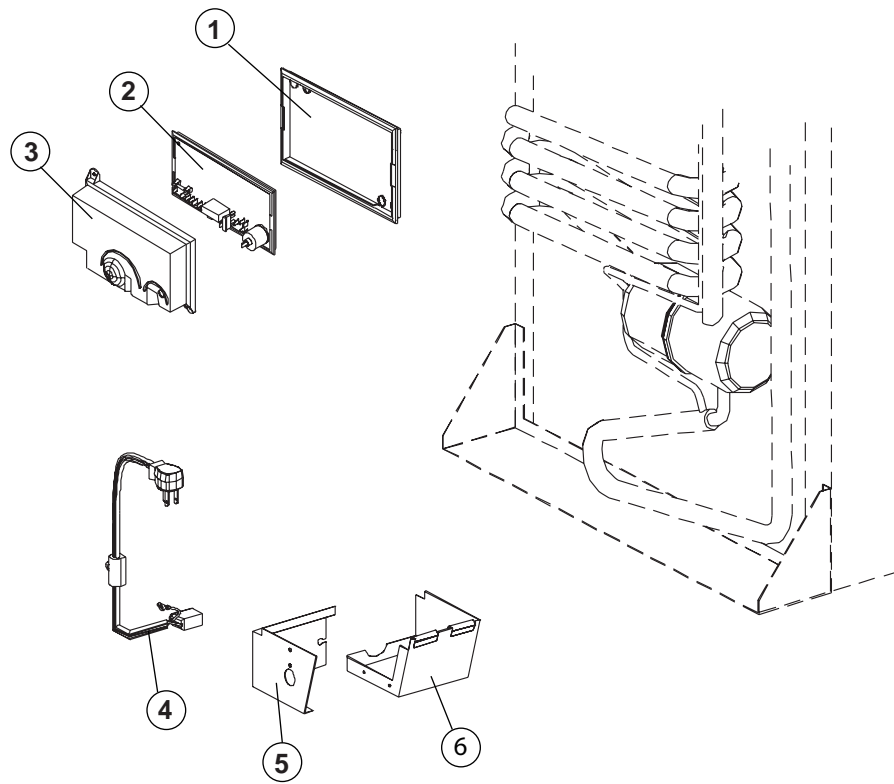
# CABINET - REAR VIEW CONTROLS - 1210 SERIES (G/E)



Art01318A

NO.	PART #	DESCRIPTION	1210 1210C MODELS	1210IM 1210IMC MODELS	1211 1211C MODELS	1211IM 1211IMC MODELS
1	628674	BASE-POWER BOARD	X	X	X	X
2	628661	POWER BOARD	X	X	X	X
3	628677	COVER-POWER BOARD	X	X	X	X
4	628993	BRACKET-GAS VALVE	X	X	X	X
5	633726	GAS VALVE	X	X	X	X
6	624683	BURNER TUBE-1200 SERIES	X	X	X	X
7	629013	KIT-BURNER ORIFICE ADPTR ASSY (S/N 16317456 AND BEFORE)	X	X	X	X
	635614	KIT-BURNER ORIFICE ADPTR ASSY (S/N 16317457 AND AFTER)	X	X	X	X
8	61554422	CORD-AC POWER	X	X	X	
	621755	CORD-POWER/WHITE (ICE MAKER MODELS ONLY)		X		
	618406	CORD-AC POWER/ICE MAKER				X
9	637158	KIT-COVER ASSY-BURNER BOX	X	X	X	X
10	618902	BASE-BURNER BOX (SERIAL # 16240755 & BELOW)	X	X	X	X
	61695322	BASE-BURNER BOX (SERIAL # 16200756 & ABOVE)	X	X	X	X
11	61692222	ELECTRODE-SPARK/SENSE/SINGLE ELECTRODE/0.25" (USE 638097)	X	X	X	X
	638097	KIT SERVICE SPARK SENSE ELECTRODE REPLACEMENT	X	X	X	X

# CABINET - REAR VIEW CONTROLS 1210AC SERIES (ALL ELECTRIC MODELS)

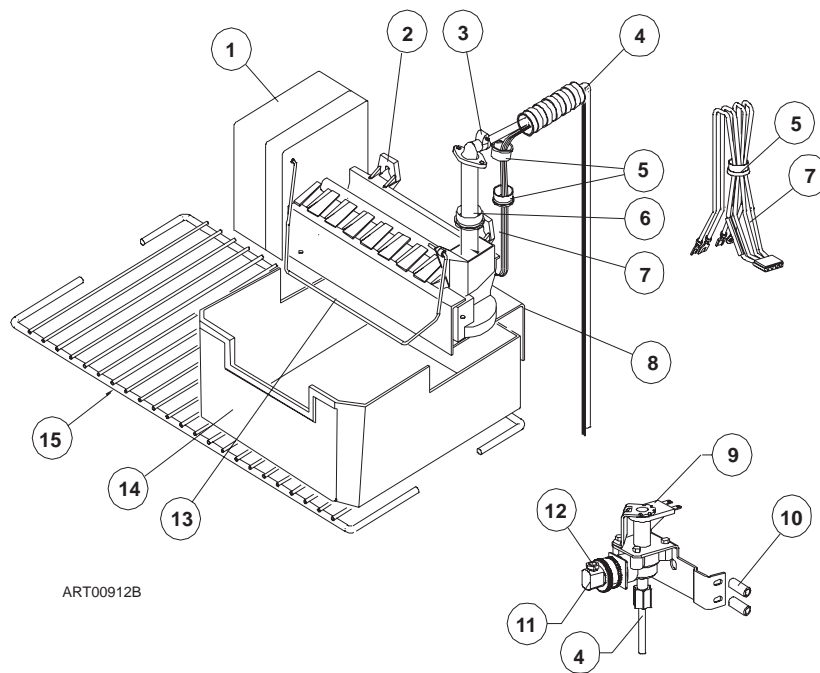


Art01318B

NO.	PART #	DESCRIPTION	1210AC MODELS	1210ACIM MODELS
1	628674	BASE-POWER BOARD	X	X
2	628661	POWER BOARD (SERIAL # 9098172 & ABOVE)	X	X
3	628677	COVER-POWER BOARD (SERIAL # 9098172 & ABOVE)	X	X
4	61554422	CORD-AC POWER	X	X
	621755	CORD-POWER/ICE MAKER/WHITE		X
5	618910	COVER ASSY-BURNER BOX	X	X
6	618902	BASE-BURNER BOX (SERIAL # 16240755 & BELOW)	X	X
	61695322	BASE-BURNER BOX (SERIAL # 16240755 & ABOVE)	X	X



# ICE MAKER AND RELATED COMPONENTS - 1210 SERIES - NON-DISPENSER MODELS



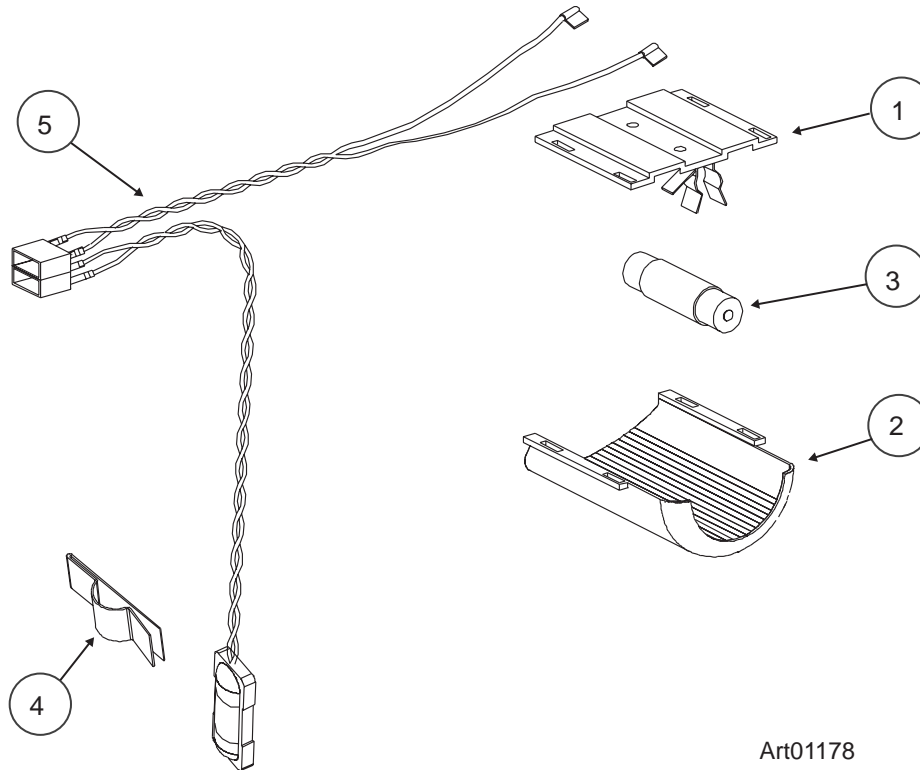
ART00912B

NO.	PART #	DESCRIPTION	1210AC MODELS	1210 1210C MODELS	1211 1211C MODELS
1	61656822	COVER-FRONT/ICE MAKER	X	X	X
2	633324	KIT-ICE MAKER (USE 637582)	X	X	X
	637582	KIT-SERVICE IM REPLACEMENT	X	X	X
3	61690822	CLAMP-HOSE/TUBING/IM	X	X	X
	622991	NUT-COMPRESSION/PLASTIC	X	X	X
4	621429	WATER TUBE/HEATER ASSY/FOR ICE MAKER (MODELS WITHOUT DISPENSER)	X	X	X
	625879	WATER TUBE/HEATER ASSY/FOR ICE MAKER (MODELS WITH DISPENSER)	X	X	X
5	61541422	BUSHING-SNAP	X	X	X
6	620039	FITTING-WATER TUBE/IM/4.17"	X	X	X
7	618407	WIRING HARNESS-IM (USE 639086)	X	X	X
	639086	KIT SERVICE WIRE HARNESS REPLACEMENT	X	X	X
8	620890	BRACKET-IM MOUNTING	X	X	X
9	633325	KIT-WATER VALVE-SINGLE PORT (USE 637140)	X	X	X
	637140	KIT SERVICE WATER VALVE REPLACEMENT	X	X	X
	637164	KIT-WATER VALVE-DUAL PORT/DISPENSER	X	X	X
10	618169	SPACER-WATER VALVE/NYLON (2 PER ASSEMBLY)	X	X	X
11	61679622	GARDEN HOSE ADAPTER-STRAIGHT/IM	X	X	X
12	622991	NUT-COMPRESSION/WATER VALVE FITTING/IM/PLASTIC	X	X	X
	622846	NUT-BRASS/GARDEN HOSE ADAPTER	X	X	X
	625880	NUT-COMPRESSION 5/16"/DISPENSER MODELS	X	X	X
13	61656922	SHUT OFF ARM/IM	X	X	X
14	618803	BIN-ICE	X	X	X
15	618847	SHELF-WIRE/FREEZER	X	X	X
NS	620240	THERMOSTAT-IM HEATER ASSY	X	X	X

NS = NOT SHOWN

 NO Longer Available

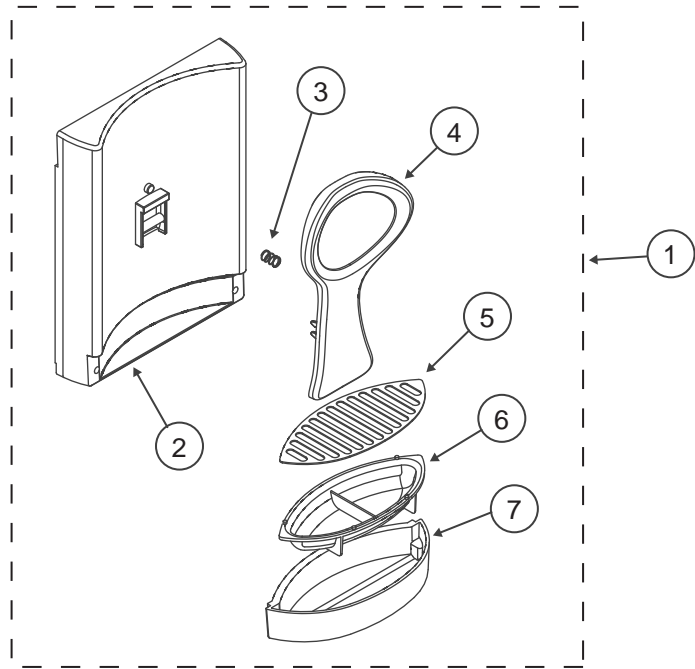
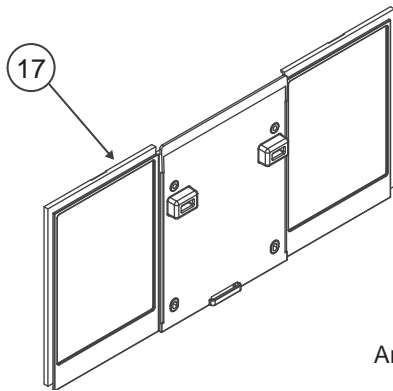
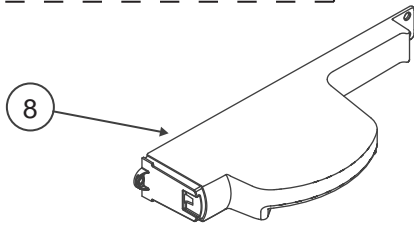
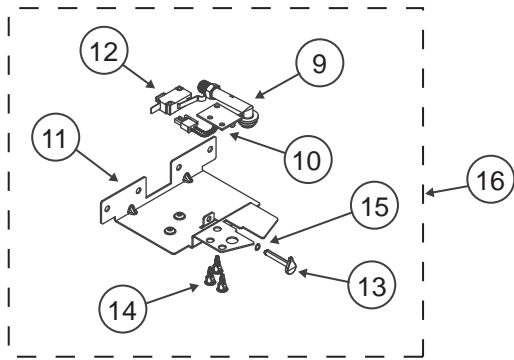
# INTERIOR LIGHT/THERMISTER ASSEMBLY - 1210 SERIES



Art01178

NO.	PART #	DESCRIPTION	1210AC MODELS	1210 1210C MODELS	1211 1211C MODELS
1	61629722	LAMP BRACKET ASSY	X	X	X
2	621827	COVER-LAMP BRACKET	X	X	X
3	632545	LAMP-GE #214-2/DC LIGHT BULB	X	X	X
4	633734	CLIP-THERMISTER MOUNTING/FIN	X	X	X
5	620871	LAMP/THERMISTER WIRE ASSY	X	X	X
	636658	LAMP/THERMISTER WIRE ASSY	X	X	X
		NO LONGER AVAILABLE			

# WATER DISPENSER - 1210 SERIES - FRONT VIEW



Art02320

NO.	PART #	DESCRIPTION	1210AC MODELS	1210 1210C MODELS	1211 1211C MODELS
1	629528	BACKSPLASH ASSY	X	X	X
2	627570	BACKSPLASH/CLIP ASSY (USE 635687)	X	X	X
	635687	BACKSPLASH/CLIP ASSY	X	X	X
3	625366	DRIP TRAY	X	X	X
4	618182	SPRING-COMPRESSION	X	X	X
5	624391	PADDLE	X	X	X
6	625385	DRIP CUP	X	X	X
7	625241	DRAIN GRID	X	X	X
8	628454	CONTROL PANEL-HOUSING	X	X	X
9	626820	SPIGOT	X	X	X
10	627143	BOARD-LED	X	X	X
11	628476	BRACKET-SWITCH	X	X	X
12	624574	SWITCH	X	X	X
13	624392	PLUNGER-SWITCH	X	X	X
14	625006	FASTENER-LED BOARD	X	X	X
15	624573	RING-RETAINING	X	X	X
16	629526	SWITCH/BRACKET ASSY	X	X	X
17	624390	TRIM PANEL	X	X	X

PART IS NO LONGER AVAILABLE

## WATER DISPENSER PARTS LISTING - LISTED ALPHABETICALLY BY DESCRIPTION

PART #	DESCRIPTION	1210AC MODELS	1210 1210C MODELS	1211 1211C MODELS
629528	BACKSPLASH ASSY-DISPENSER	X	X	X
627570	BACKSPLASH/CLIP ASSY (USE 635687)	X	X	X
635687	BACKSPLASH/CLIP ASSY	X	X	X
627143	BOARD-LED/DISPENSER	X	X	X
628476	BRACKET-SWITCH/DISPENSER/1210 SERIES	X	X	X
624503	BRACKET-WATER VALVE/DISPENSER	X	X	X
625881	CONNECTOR-5/16" UNION/DISPENSER	X	X	X
625528	CONNECTOR-UNION/DISPENSER	X	X	X
628454	CONTROL PANEL-HOUSING/DISPENSER/1210 SERIES	X	X	X
625886	COVER ASSY-RESERVOIR/DISPENSER (1-4-2012 AND BEFORE)	X	X	X
635379	COVER ASSY-RESERVOIR/DISPENSER (1-5-2012 AND AFTER)	X	X	X
629146	DOOR LINER ASSY-LOWER/LH/PANEL/DISPENSER	X	X	X
629148	DOOR LINER ASSY-LOWER/LH/WRAP/BLACK/DISPENSER	X	X	X
630098	DOOR LINER ASSY-LOWER/LH/WRAP/SS/DISPENSER (VALSPAR)	X	X	X
625241	DRAIN GRID-DISPENSER	X	X	X
625385	DRIP CUP-DISPENSER	X	X	X
625366	DRIP TRAY-DISPENSER	X	X	X
625006	FASTENER-LED BOARD/DISPENSER	X	X	X
626803	HEATER-WATER LINE-DISPENSER	X	X	X
626804	HEATER-WATER VALVE/DISPENSER	X	X	X
626802	JUMPER-WIRE HARNESS/DISPENSER	X	X	X
625882	KIT-IM TUBE FITTINGS/DISPENSER	X	X	X
625880	NUT-COMPRESSION 5/16"/DISPENSER	X	X	X
624391	PADDLE-DISPENSER	X	X	X
624392	PLUNGER-SWITCH/DISPENSER	X	X	X
624573	RING-RETAINING/DISPENSER	X	X	X
626820	SPIGOT-WATER DISPENSER	X	X	X
618182	SPRING-COMPRESSION/DISPENSER	X	X	X
629526	SWITCH/BRACKET ASSY-DISPENSER	X	X	X
624574	SWITCH-DISPENSER	X	X	X
624390	TRIM PANEL-DISPENSER	X	X	X
624502	WATER RESERVOIR-DISPENSER	X	X	X
625879	WATER TUBE/HEATER ASSY/FOR ICE MAKER/DISPENSER	X	X	X
625856	WATER VALVE/HEATER ASSY-DISPENSER	X	X	X
637164	KIT-WATER VALVE-DUAL PORT/DISPENSER	X	X	X
	PART IS NO LONGER AVAILABLE			

NOTE: PARTS SPECIFIC TO THE WATER DISPENSER MODELS.

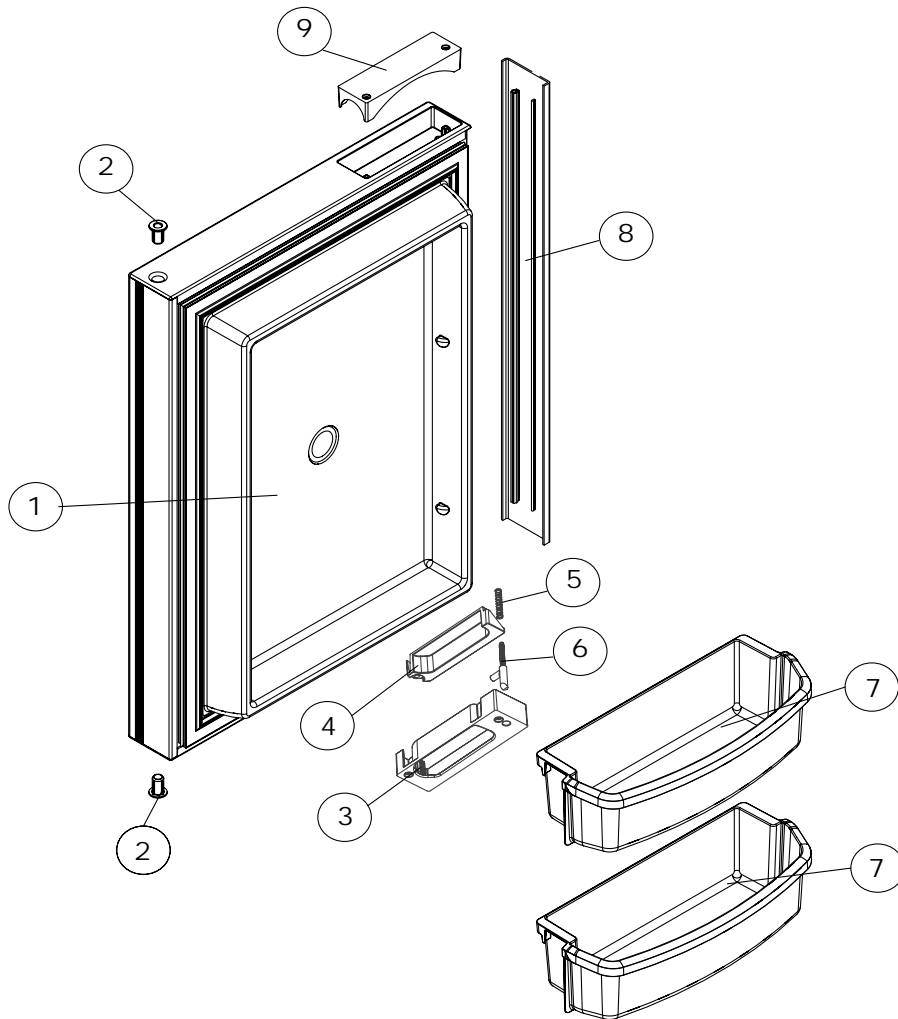


# PARTS LIST 2117 SERIES

## MODELS

2117IM	2117IMC
2117IMD	2117IMCD
2117IMBK	2117IMCBK
2117IMBKD	2117IMCBKD
2117IMSS	2117IMCSS
2117IMSSD	2117IMCSSD
2117IMWPM	

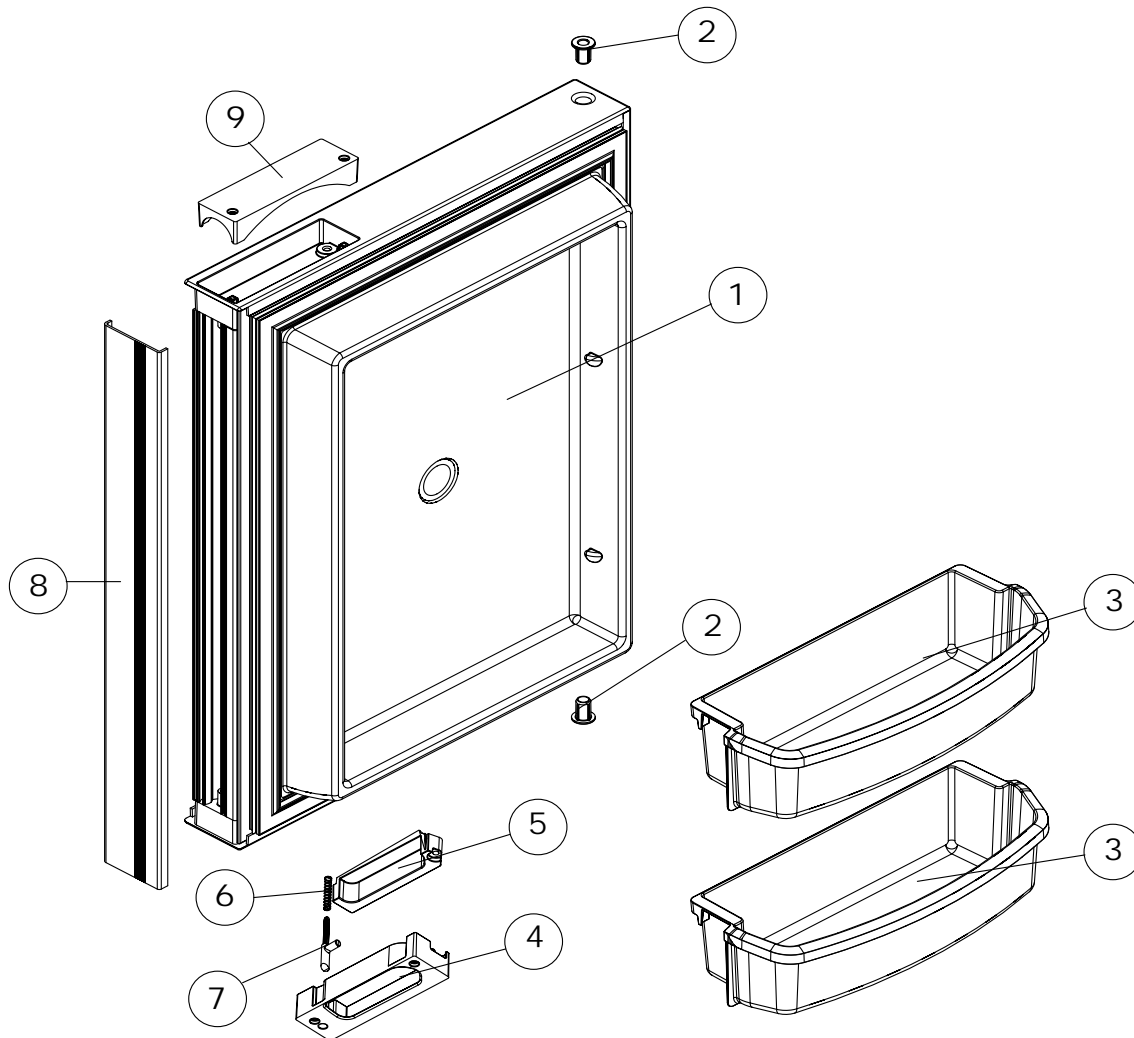
# DOOR - UPPER RH - 2117 SERIES



NO.	PART #	DESCRIPTION	2117IM	2117IMD	2117IMBK	2117IMBKD	2117IMSS	2117IMSSD	2117IMWPM
			2117IMC	2117IMCD	2117IMCBK	2117IMCBKD	2117IMCSS	2117IMCSSD	
1	630245	DOOR LINER WITH HANDLE-UPPER/RH/PANEL	X	X					
	632803	DOOR INER WITH HANDLE-UPPER/RH/AT BLACK			X	X			
	630250	DOOR LINER WITH HANDLE-UPPER/RH/WRAP/AT SS					X	X	
	63035101	DOOR LINER WITH HANDLE-UPPER/RH/WRAP/WPM							X
2	627744	HINGE BUSHING-PANEL DOORS	X	X					
3	627712	DOOR HANDLE HOUSING-UPPER RH/LOWER LH	X	X	X	X	X	X	X
4	628017	DOOR HANDLE-UPPER RH/LOWER LH	X	X	X	X	X	X	X
5	627805	SPRING-COMPRESSION	X	X	X	X	X	X	X
6	628616	DOOR HANDLE LATCH PIN-UPPER RH/LOWER LH	X	X	X	X	X	X	X
7	628035	BIN-DOOR SHELF/SMALL	X	X	X	X	X	X	X
8	627423	PANEL RETAINER-UPPER	X	X					
9	627871	COVER-HANDLE POCKET-UPPER RH	X	X	X	X	X	X	X

NOTE: DOOR LINERS ASSEMBLIES ARE NOT SHIPPED WITH DOOR BINS.

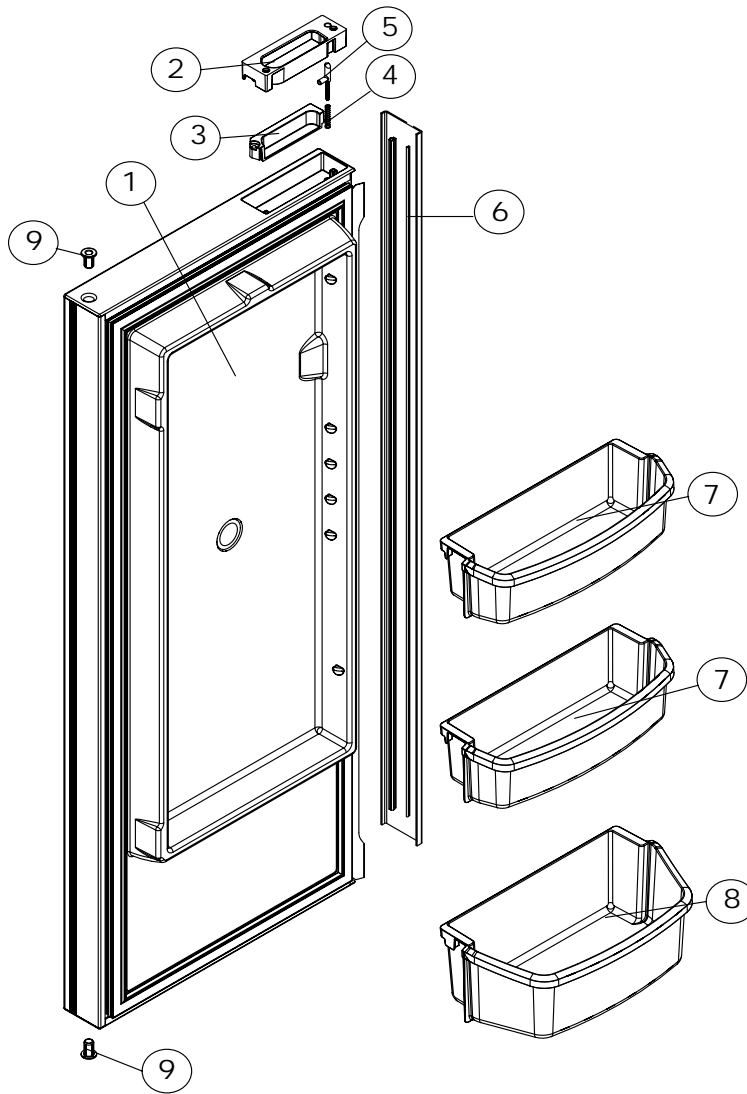
# DOOR - UPPER LH - 2117 SERIES



NO.	PART #	DESCRIPTION	2117IM	2117MD	2117IMBK	2117IMBKD	2117IMSS	2117IMSSD	2117IMWPM
			2117IMC	2117IMCD	2117IMCBK	2117IMCBKD	2117IMCSS	2117IMCSSD	
1	630244	DOOR LINER WITH HANDLE-UPPER/LH/PANEL	X	X					
	632804	DOOR LINER WITH HANDLE-UPPER/LH/AT BLACK			X	X			
	630249	DOOR LINER WITH HANDLE-UPPER/LH/WRAP/AT SS					X	X	
	63035001	DOOR LINER WITH HANDLE-UPPER/LH/WRAP/WPM							X
2	627744	HINGE BUSHING-PANEL DOORS	X	X					
3	628035	BIN-DOOR SHELF/SMALL	X	X	X	X	X	X	X
4	627713	DOOR HANDLE HOUSING-UPPER LH/LOWER RH	X	X	X	X	X	X	X
5	628018	DOOR HANDLE-UPPER LH/LOWER RH	X	X	X	X	X	X	X
6	627805	SPRING-COMPRESSION	X	X	X	X	X	X	X
7	628615	DOOR HANDLE LATCH PIN-UPPER LH/LOWER RH	X	X	X	X	X	X	X
8	627423	PANEL RETAINER-UPPER	X	X					
9	627870	COVER-HANDLE POCKET-UPPER LH	X	X	X	X	X	X	X

NOTE: DOOR LINERS ASSEMBLIES ARE NOT SHIPPED WITH DOOR BINS.

# DOOR - LOWER RH - 2117 SERIES

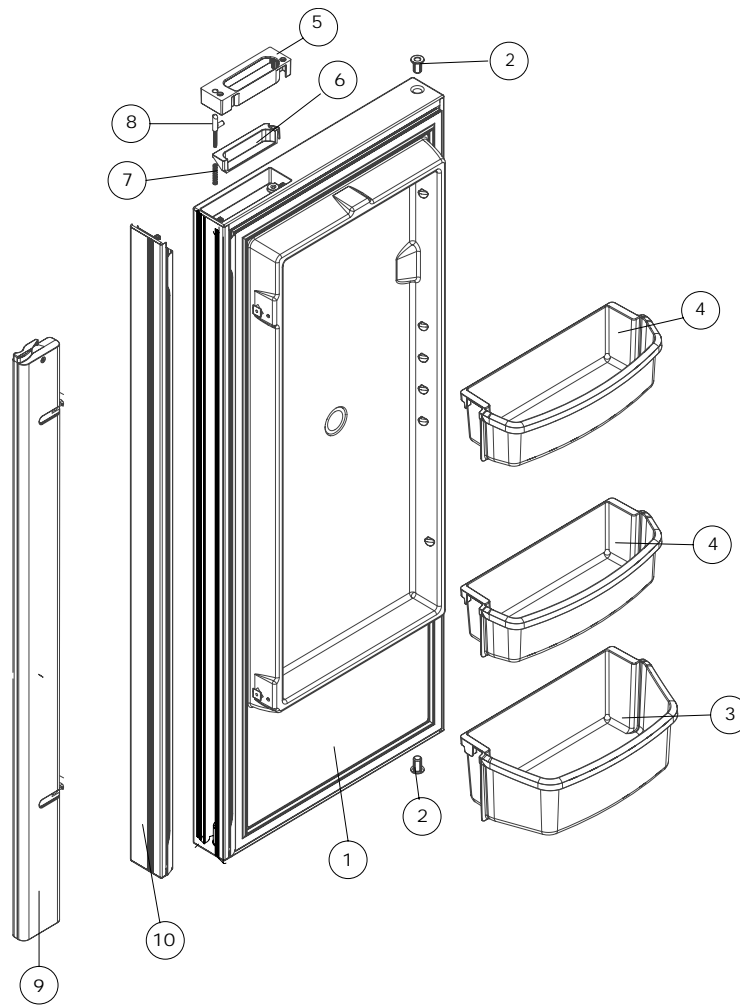


NO.	PART #	DESCRIPTION	2117IM	2117IMD	2117IMBK	2117IMBKD	2117IMSS	2117IMSSD	2117IMWPM
			2117IMC	2117IMCD	2117IMCBK	2117IMCBKD	2117IMCSS	2117IMCSSD	
1	630247	DOOR LINER WITH HANDLE-LOWER/RH/PANEL	X	X					
	632805	DOOR LINER WITH HANDLE-LOWER/RH/AT BLACK			X	X			
	630252	DOOR LINER WITH HANDLE-LOWER/RH/WRAP/AT SS					X	X	
	63035301	DOOR LINER WITH HANDLE-LOWER/RH/WRAP/WPM							X
2	627713	DOOR HANDLE HOUSING-UPPER LH/LOWER RH	X	X	X	X	X	X	X
3	628018	DOOR HANDLE-UPPER LH/LOWER RH	X	X	X	X	X	X	X
4	627805	SPRING-COMPRESSION	X	X	X	X	X	X	X
5	628615	DOOR HANDLE LATCH PIN-UPPER LH/LOWER RH	X	X	X	X	X	X	X
6	627424	PANEL RETAINER-LOWER	X	X					
7	628035	BIN-DOOR SHELF/SMALL	X	X	X	X	X	X	X
8	628036	BIN-DOOR SHELF/GALLON	X	X	X	X	X	X	X
9	627744	HINGE BUSHING-PANEL DOORS	X	X					

NOTE: DOOR LINERS ASSEMBLIES ARE NOT SHIPPED WITH DOOR BINS.



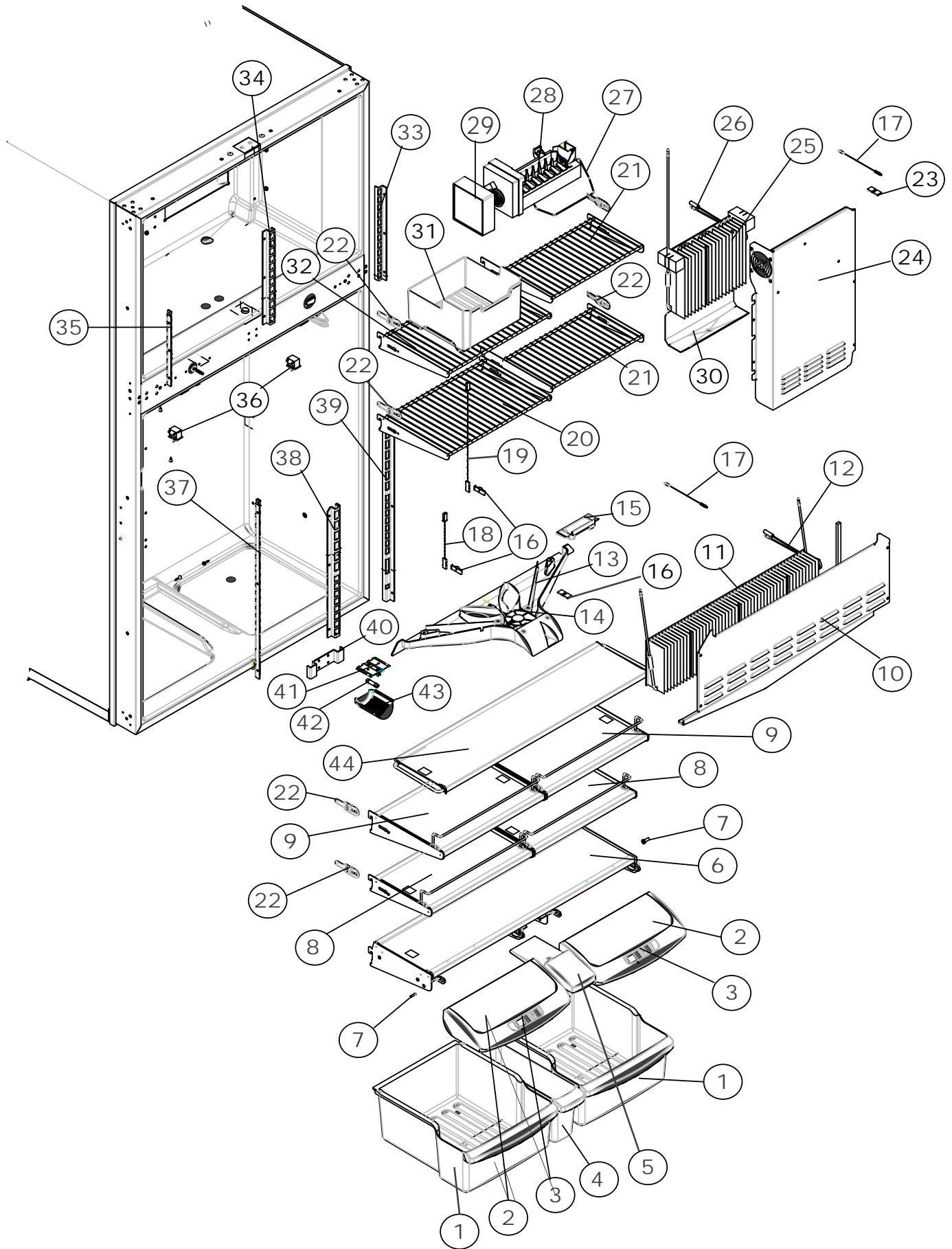
# DOOR - LOWER LH - 2117 SERIES



NO.	PART #	DESCRIPTION	2117IM 2117IMC	2117IMD 2117IMCD	2117IMBK 2117IMCBK	2117IMBKD 2117IMCBKD	2117IMSS 2117IMCSS	2117IMSSD 2117IMCSSD	2117 IMWPM
1	630246	DOOR LINER WITH HANDLE-LOWER/LH/PANEL	X						
	630248	DOOR LINER WITH HANDLE-LOWER/LH/PANEL/DISP		X					
	632806	DOOR LINER WITH HANDLE-LOWER/LH/WRAP/AT BLACK			X				
	632807	DOOR LINER WITH HANDLE-LOWER/LH/WRAP/DISP/AT BLACK				X			
	630251	DOOR LINER WITH HANDLE-LOWER/LH/WRAP/AT STAINLESS					X		
	630253	DOOR LINER WITH HANDLE-LOWER/LH/WRAP/AT SS/DISP						X	
63035201	DOOR LINER WITH HANDLE-LOWER/LH/WRAP/WPM							X	
2	627744	HINGE BUSHING-PANEL DOORS	X	X					
3	628036	BIN-DOOR SHELF/GALLON	X	X	X	X	X	X	X
4	628035	BIN-DOOR SHELF/SMALL	X	X	X	X	X	X	X
5	627712	DOOR HANDLE HOUSING-UPPER RH/LOWER LH	X	X	X	X	X	X	X
6	628017	DOOR HANDLE-UPPER RH/LOWER LH	X	X	X	X	X	X	X
7	627805	SPRING-COMPRESSION	X	X	X	X	X	X	X
8	628616	DOOR HANDLE LATCH PIN-UPPER RH/LOWER LH	X	X	X	X	X	X	X
9	631031	FLAPPER ASSY-2117	X	X	X	X	X	X	X
10	627424	PANEL RETAINER-LOWER	X	X					

NOTE: DOOR LINERS ARE NOT SHIPPED WITH DOOR BINS AND FLAPPER ASSEMBLY.

**CABINET ASSEMBLY - FRONT VIEW (INTERIOR PARTS) - 2117 SERIES**



## CABINET ASSEMBLY - FRONT VIEW (INTERIOR PARTS)- 2117 SERIES

NO.	PART #	DESCRIPTION	NON DISPENSER (IM)	WITH DISPENSER (IMD)
1	627866	CRISPER	X	X
2	627868	CRISPER LID-FLIP TOP	X	X
3	628829	VENT-CRISPER LID	X	X
4	628640	BIN-BEVERAGE CAN	X	X
5	628856	COVER-BEVERAGE BIN	X	X
6	628553	CRISPER COVER ASSY-GLASS SHELF	X	X
7	629473	SPACER-NYLON/CRISPER COVER ASSY	X	X
8	628080	SHELF ASSY-GLASS/SHALLOW	X	X
9	628055	SHELF ASSY-GLASS/DEEP	X	X
NS	629478	WIRE-FOOD FENCE (PART OF 628080 & 628055)	X	X
NS	629477	SLIDER-FOOD FENCE (PART OF 628080 & 628055)	X	X
10	630210	SHROUD FOAM ASSY-FRESHFOOD FIN ASSY(SERIAL# 11973837 & BELOW)	X	X
	632042	SHROUD FOAM ASSY-FRESHFOOD FIN ASSY(SERIAL# 11973838 & ABOVE)	X	X
11	628794	FIN ASSY-FRESH FOOD (WITH THERMOSTAT)	X	X
12	628647	THERMOSTAT-FIN ASSY/FRESH FOOD	X	X
13	630364	KIT-BLOWER HOUSING W/FOAM-FRESHFOOD(SERIAL# 11973837 & BELOW)	X	X
	634013	KIT-BLOWER HOUSING W/FOAM-FRESHFOOD(SERIAL# 11973838 & ABOVE)	X	X
14	628525	FAN-BLOWER/FRESH FOOD	X	X
NS	628780	VENT-BLOWER HOUSING/FRESH FOOD (NOT SHOWN)	X	X
NS	628799	BRACKET-FAN/FREEZER (NOT SHOWN)	X	X
15	628076	GUIDE BLOCK	X	X
16	630241	BRACKET-THERMISTOR MOUNTING/AIR	X	X
17	629491	THERMISTOR-ROD/AIR (USE 638392)	X	X
	638392	KIT SERVICE THERMISTOR REPLACEMENT	X	X
18	620528	THERMISTOR-CONDENSER (USE 68391)	X	X
	638391	SERV KIT THERMISTER REPLACEMENT	X	X
19	629408	THERMISTOR-FREEZER (USE 638393)	X	X
	638393	KIT SERVICE THERMISTOR REPLACEMENT	X	X
20	628786	SHELF ASSY-WIRE/FREEZER (SERIAL# 11973837 & BELOW)	X	X
	632039	SHELF ASSY-WIRE/FREEZER (SERIAL# 11973838 & ABOVE)	X	X
21	628787	SHELF ASSY-WIRE/FREEZER/SHORT (SERIAL# 11973837 & BELOW)	X	X
	632032	SHELF ASSY-WIRE/FREEZER/SHORT (SERIAL# 11973838 & ABOVE)	X	X
22	629447	RETAINER-SHELF	X	X
23	633734	CLIP-THERMISTER MOUNTING/FIN	X	X
24	628802	SHROUD ASSY-FREEZER/FINS	X	X
25	628650	FIN ASSY-FREEZER (WITH THERMOSTAT/HEATER/DRIP TRAY)	X	X
26	627873	THERMOSTAT-FIN ASSY/FREEZER	X	X
27	61656922	SHUT OFF ARM/IM	X	X
28	633324	KIT-ICE MAKER	X	X
29	61656822	COVER-FRONT/ICE MAKER	X	X
30	630219	DRIP TRAY-INSIDE/CABINET/FREEZER (SERIAL# 11323165 & ABOVE)	X	X
NS	632699	KIT-SERVICE-HEATER TUBE (SERIAL# 11323164 & BELOW)	X	X

CONTINUED ON PAGE 8

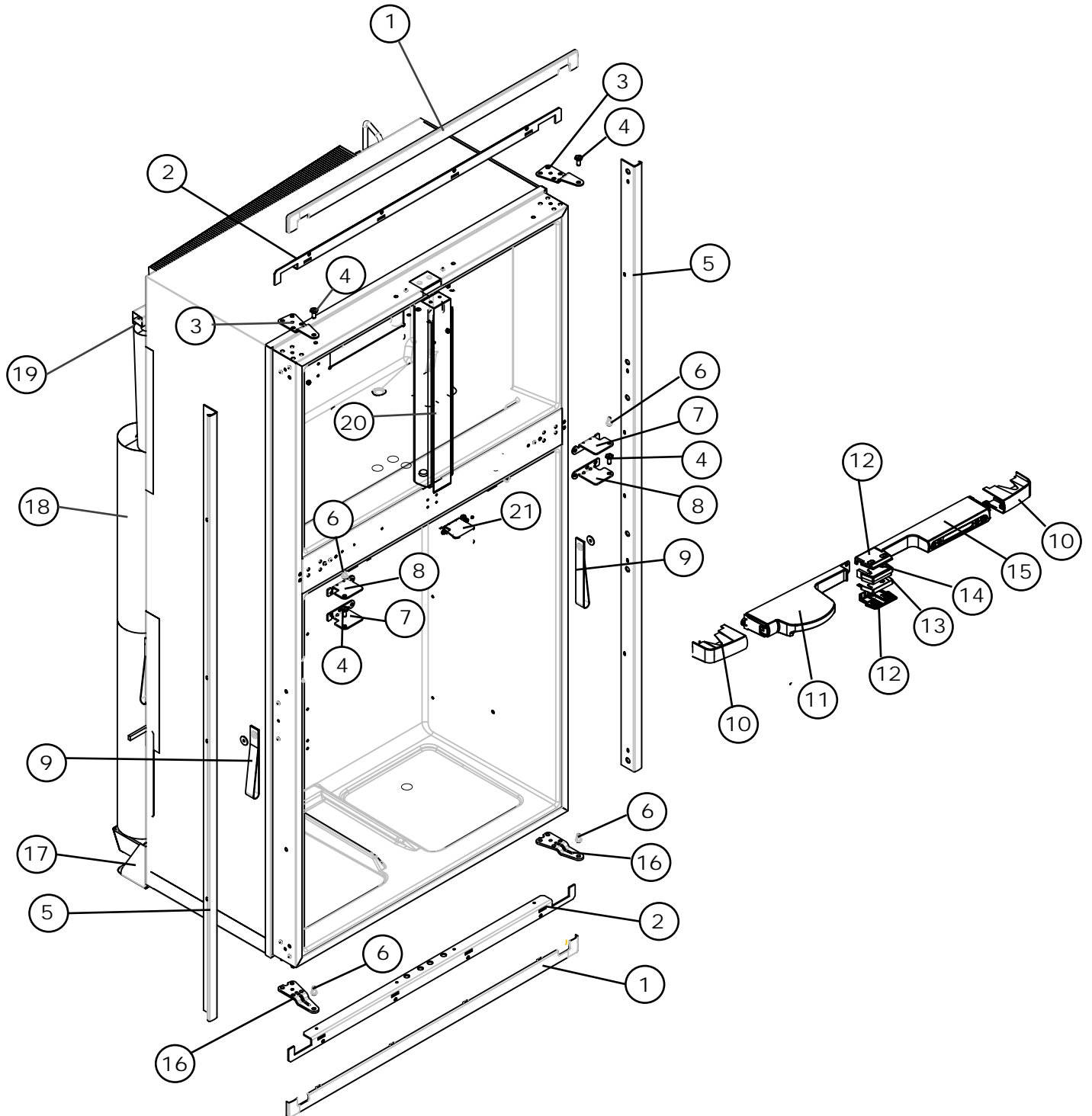
## CABINET ASSEMBLY - FRONT VIEW (INTERIOR PARTS)- 2117 SERIES

CONTINUED FROM PAGE 7

31	619007	BIN-ICE/CRISPER/CLEAR/WDL/SDL	X	X
32	628056	SHELF ASSY-WIRE/FREEZER (SERIAL# 11973837 & BELOW)	X	X
	632040	SHELF ASSY-WIRE/FREEZER (SERIAL# 11973838 & ABOVE)	X	X
33	628506	SHELF SUPPORT-FREEZER-RH SIDE	X	X
34	628507	SHELF SUPPORT-FREEZER-CENTER	X	X
35	628788	SHELF SUPPORT-FREEZER/LH SIDE	X	X
36	623918	SWITCH-LIGHT	X	X
37	628503	SHELF SUPPORT-FRESH FOOD-LH SIDE	X	X
38	628504	SHELF SUPPORT-FRESH FOOD-CENTER	X	X
39	628505	SHELF SUPPORT-FRESH FOOD-RH SIDE	X	X
40	628839	SHELF SUPPORT-FRESH FOOD/CENTER/CRISPER AREA	X	X
41	61629722	LAMP BRACKET ASSY	X	X
42	632545	LAMP-DC LIGHT BULB	X	X
43	621827	COVER-LAMP BRACKET	X	X
44	628045	SHELF ASSY-GLASS/FULL (SERIAL# 11973837 & BELOW)	X	X
	632030	SHELF ASSY-GLASS/FULL (SERIAL# 11973838 & ABOVE)	X	X
NS	628831	DRIP TRAY-INSIDE/CABINET/FRESHFOOD (NOTSHOWN) (S/N 11973837 & <)	X	X
	632028	DRIP TRAY-INSIDE/CABINET/FRESHFOOD (NOTSHOWN) (S/N 11973838 & >)	X	X
NS	630649	HOUSING FOAM STRIP ASSY-FAN/FREEZER (NOT SHOWN)	X	X
NS	628508	FAN-DC/FREEZER (NOT SHOWN)	X	X
NS	629413	WIRE-JUMPER/LAMP (NOT SHOWN)	X	X

NS - NOT SHOWN

**CABINET ASSEMBLY - FRONT VIEW (EXTERIOR PARTS) - 2117 SERIES**

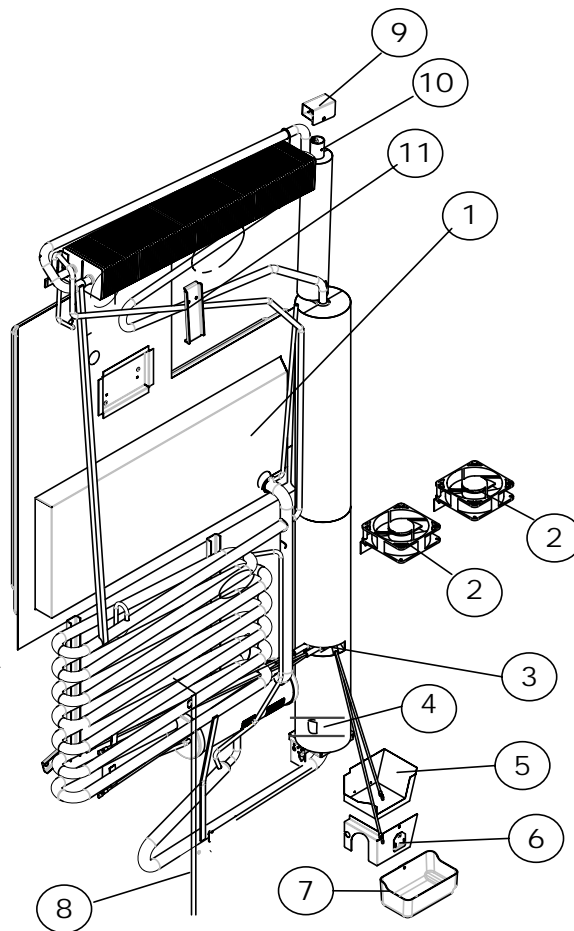


## CABINET ASSEMBLY - FRONT VIEW (EXTERIOR PARTS) - 2117 SERIES

NO.	PART #	DESCRIPTION	NON DISPENSER (IM)	WITH DISPENSER (IMD)
1	627852	TRIM PIECE-TOP/BOTTOM/SET	X	X
2	630363	BRACKET FOAM ASSY-TOP/BOTTOM MOUNTING	X	X
3	627736	HINGE-UPPER	X	X
4	627778	HINGE PIN-UPPER	X	X
5	630362	TRIM PIECE FOAM TAPE ASSY-CABINET/SIDE	X	X
6	627777	HINGE PIN-LOWER	X	X
7	627739	HINGE-CENTER-UPPER RH/LOWER LH	X	X
8	627738	HINGE-CENTER-UPPER LH/LOWER RH	X	X
9	628818	STRAP ASSY-CABINET HANDLING	X	X
10	628579	COVER-HINGE-SNAP ON	X	X
11	628565	HOUSING-DISPENSER		X
NS	628568	CONTROL BOX-DUMMY (NOT SHOWN)	X	
12	628577	STRIKE PLATE	X	X
13	628576	COVER-STRIKE PLATE/BOTTOM	X	X
14	628575	COVER-STRIKE PLATE/TOP	X	X
15	628570	CONTROL ASSY-OPTICAL/2117 SERIES	X	X
16	627740	HINGE-BOTTOM	X	X
17	627849	BRACE-BACK	X	X
18	630746	NSC SYSTEM PACK-2117 SERIES	X	X
19	629099	CAP-HEAT DEFLECTOR	X	X
20	628047	DIVIDER ASSY-FREEZER-VERTICAL	X	X
21	628076	GUIDE BLOCK-FLAPPER/2117	X	X
NS	627752	RAIL-BOTTOM SUPPORT (NOT SHOWN)	X	X

NS - NOT SHOWN

# COOLING UNIT AREA - REAR VIEW - 2117 SERIES



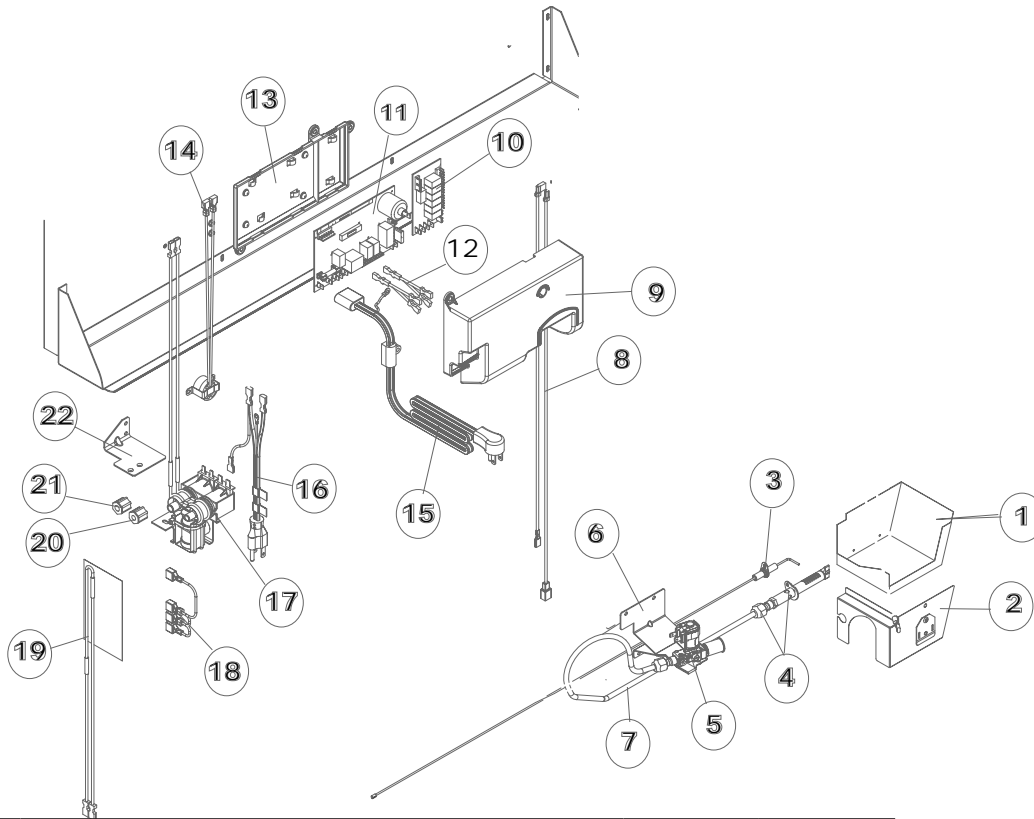
NO.	PART #	DESCRIPTION	NON DISPENSER (IM)	WITH DISPENSER (IMD)
1	632304	NSC SYSTEM PACK-(BACKER HEATER) (CU SERIAL# 11973837 & BELOW)	X	X
	633337	NSC SYSTEM PACK-(BACKER HEATER) (CU SERIAL# 11973838 & ABOVE)	X	X
2	623442	FAN-EXTERNAL DC/HIGH VELOCITY	X	X
NS	628747	BRACKET-DC FAN	X	X
3	630775	HEATER-AC COOLING UNIT (CU SERIAL# 11255149 & BELOW)(USE 638369)	X	X
	638369	KIT SERVICE HEATER REPLACEMENT	X	X
	630813	HEATER-AC/BACKER (COOLING UNIT SERIAL# 11255150 & ABOVE)(USE 638376)	X	X
	638376	KIT SERVICE HEATER REPLACEMENT	X	X
NS	630776	WIRE-JUMPER/AC HEATER (BLUE OR BLACK HEATER LEAD)	X	X
NS	629479	WIRE-JUMPER/AC HEATER (YELLOW WIRE)	X	X
4	630280	KIT-TEMPERATURE SWITCH CANISTER ASSEMBLY	X	X
5	618902	BASE-BURNER BOX	X	X
6	637158	KIT-COVER ASSY-BURNER BOX	X	X
7	629490	DRIP CUP-REAR/CABINET	X	X
8	622391	DRAIN HOSE ASSY	X	X
9	629099	CAP-HEAT DEFLECTOR	X	X
10	628599	BAFFLE/WIRE ASSY-DIFFUSER	X	X
11	629484	BRACKET-SYSTEM TIE DOWN	X	X

NS - NOT SHOWN



NO LONGER AVAILABLE

# CONTROL PARTS - REAR VIEW - 2117 SERIES

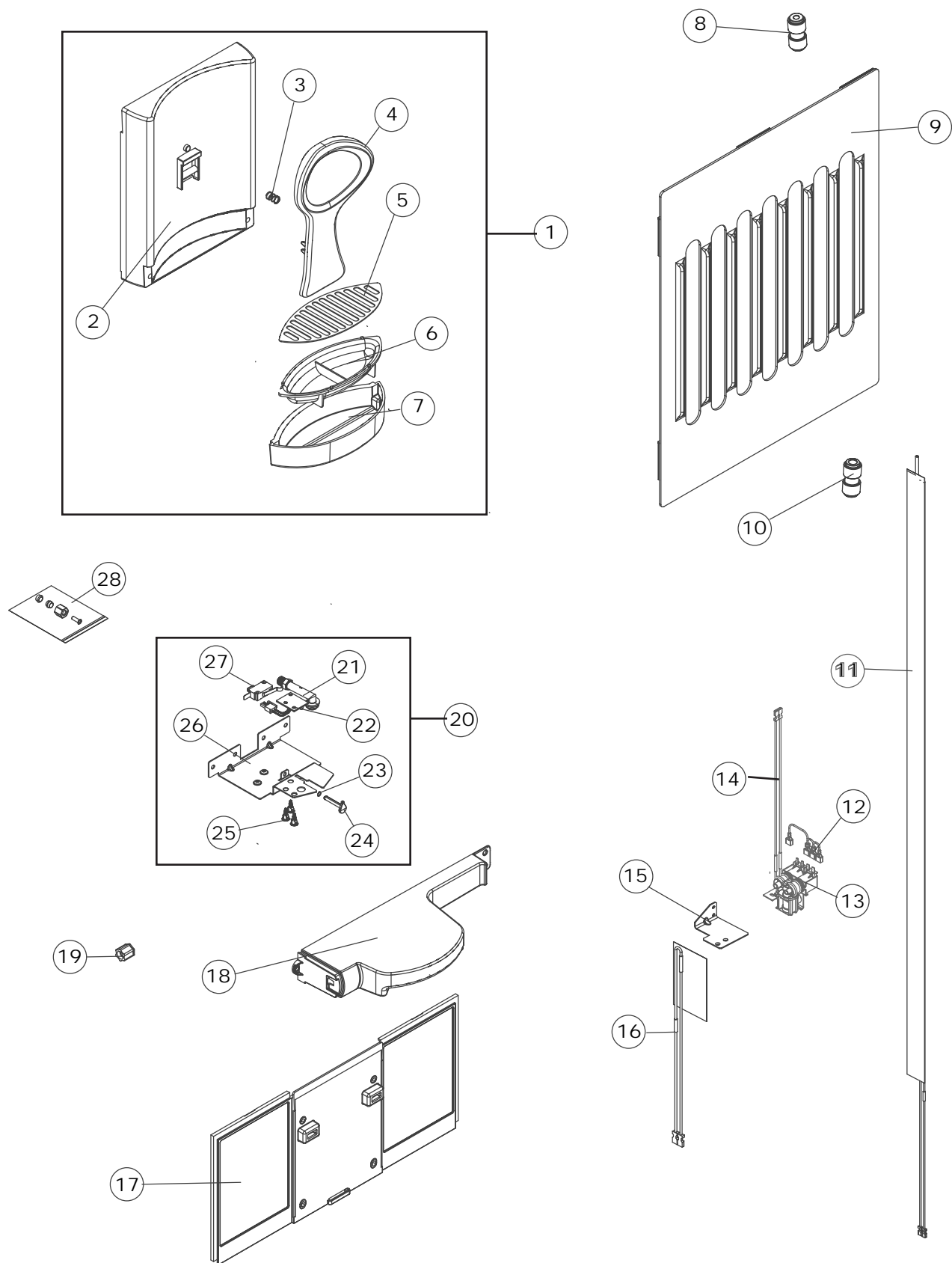


NO.	PART #	DESCRIPTION	NON DISPENSER (IM)	WITH DISPENSER (IMD)
1	618902	BASE-BURNER BOX	X	X
2	637158	KIT-COVER ASSY-BURNER BOX	X	X
3	629424	ELECTRODE-SPARK/SENSE	X	X
4	630360	KIT-BURNER ORIFICE ADAPTER ASSY/2117 SERIES	X	X
5	633726	GAS VALVE-SOLENOID	X	X
6	624681	BRACKET-MOUNTING/GAS VALVE	X	X
7	628921	BURNER TUBE	X	X
8	630202	WIRE-INPUT/OVER TEMPERATURE/THERMAL SWITCH	X	X
9	628678	COVER-POWER BOARD/LARGE	X	X
10	628668	BOARD-AUTO DEFROST	X	X
11	628661	POWER BOARD	X	X
12	629479	WIRE-JUMPER/AC HEATER (YELLOW WIRE)	X	X
	629480	WIRE-JUMPER/AC/BLACK	X	X
13	628675	BASE-POWER BOARD/LARGE	X	X
14	620240	THERMOSTAT-IM HEATER ASSY	X	X
15	621755	CORD-AC POWER/ICE MAKER/WHITE	X	X
16	61554422	CORD-AC POWER/BLACK	X	X
17	624516	WATER VALVE-DISPENSER/DUAL PORT		X
	633325	KIT-WATER VALVE-SINGLE PORT	X	
NS	625856	WATER VALVE/HEATER ASSY-DISPENSER		X
18	626802	WIRE-JUMPER-WIRE HARNESS/DISPENSER		X
19	626804	HEATER-WATER VALVE/DISPENSER		X
20	622991	NUT-COMPRESSION/PLASTIC/WATER VALVE FITTING/IM	X	X
21	625880	NUT-COMPRESSION 5/16"/DISPENSER		X
22	624503	BRACKET-WATER VALVE/DISPENSER		X

NS = NOT SHOWN



# WATER DISPENSER PARTS - 2117 SERIES



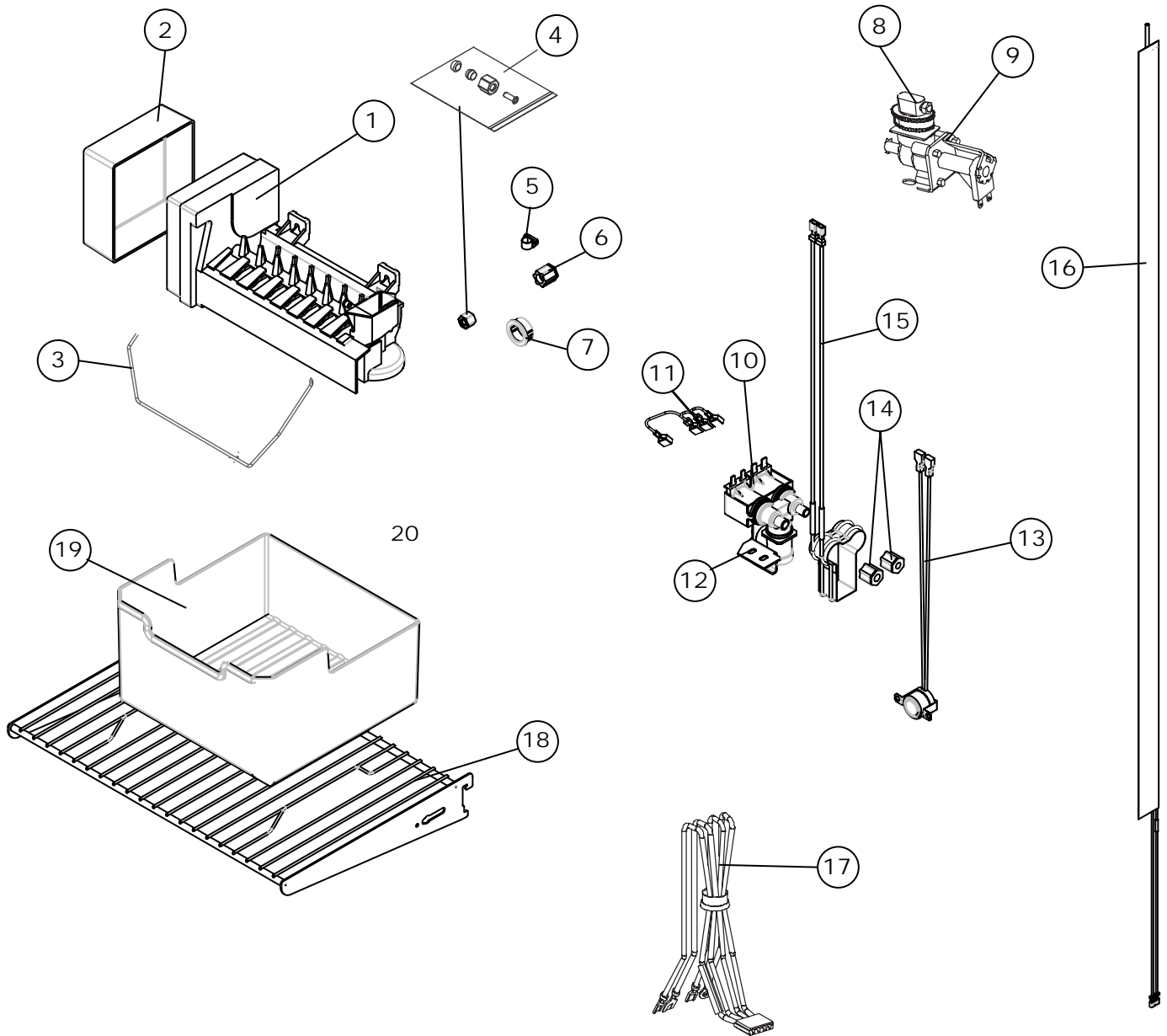
## WATER DISPENSER PARTS- 2117 SERIES

NO.	PART #	DESCRIPTION	2117 PANEL	2117 WRAP
1	629486	BACKSPLASH ASSY	X	X
2	627570	BACKSPLASH/CLIP ASSY (USE 635687)	X	X
	635687	BACKSPLASH/CLIP ASSY	X	X
3	618182	SPRING-COMPRESSION	X	X
4	624391	PADDLE	X	X
5	625241	DRAIN GRID	X	X
6	625385	DRIP CUP-INSIDE	X	X
7	625366	DRIP TRAY-OUTSIDE	X	X
8	625528	CONNECTOR-UNION	X	X
9	628811	COVER ASSY-WATER RESERVOIR	X	X
NS	628805	WATER RESERVOIR (NOT SHOWN)	X	X
10	625881	CONNECTOR-5/16" UNION	X	X
11	625879	WATER TUBE/HEATER ASSY	X	X
12	626802	JUMPER-WIRE HARNESS	X	X
13	624516	WATER VALVE-DUAL PORT	X	X
14	626804	HEATER-WATER VALVE	X	X
	625856	WATER VALVE/HEATER ASSY (NO. 13 AND NO. 14)	X	X
15	624503	BRACKET-WATER VALVE	X	X
16	629401	HEATER-WATER LINE	X	X
17	628827	TRIM PANEL-PANEL DOORS	X	
	628635	TRIM PANEL-WRAP DOORS		X
18	628565	HOUSING	X	X
19	625880	NUT-COMPRESSION 5/16"	X	X
20	628567	WATER DISPENSER BRACKET ASSY	X	X
21	626820	SPIGOT	X	X
22	627143	BOARD-LED	X	X
23	628916	RING-RETAINING	X	X
24	628578	PLUNGER	X	X
25	625006	FASTENER-LED BOARD	X	X
26	628566	BRACKET-WATER DISPENSER	X	X
27	624574	SWITCH	X	X
28	625882	KIT-IM TUBE FITTINGS (COMBINATION OF A, B, C, & D)	X	X
A	61692622	SLEEVE-BALL/.25"/TUBE COMPRESSION RING/BRASS	X	X
B	622846	NUT-BRASS/GARDEN HOSE ADAPTER	X	X
C	623181	SLEEVE-BALL/.25"/TUBE COMPRESSION RING/PLASTIC	X	X
D	622835	INSERT-BRASS/.40" OEM WATER LINE/IM	X	X
NS	630248	DOOR LINER WITH HANDLE/LOWER/LH/PANEL	X	
NS	630253	DOOR LINER WITH HANDLE/LOWER/LH/WRAP/DISP/SS		X
NS	63035401	DOOR LINER WITH HANDLE/LOWER/LH/WRAP/DISP/WPM		X

PART IS NO LONGER AVAILABLE

NS - NOT SHOWN

**ICE MAKER PARTS - 2117 SERIES**



## ICE MAKER PARTS - 2117 SERIES

NO.	PART #	DESCRIPTION	NON DISPENSER (IM)	WITH DISPENSER (IMD)
1	633324	KIT-ICE MAKER	X	X
2	61656822	COVER-FRONT/ICE MAKER	X	X
3	61656922	SHUT OFF ARM/ICE MAKER	X	X
4	623182	KIT-OEM WATER TUBE FITTINGS (COMBINATION OF A, C & D)	X	
	625882	KIT-OEM WATER TUBE FITTINGS (COMBINATION OF A, B, C, & D)		X
A	61692622	SLEEVE-BALL/.25"/TUBE COMPRESSION RING/BRASS	X	X
B	622846	NUT-BRASS/GARDEN HOSE ADAPTER		X
C	623181	SLEEVE-BALL/.25"/TUBE COMPRESSION RING/PLASTIC	X	X
D	622835	INSERT-BRASS/.40" OEM WATER LINE/IM	X	X
5	61690822	CLAMP-TUBING/IM	X	X
6	622991	NUT-COMPRESSION/PLASTIC/WATER VALVE FITTING/IM	X	X
7	61541422	BUSHING-SNAP	X	X
8	61679622	GARDEN HOSE ADAPTER-STRAIGHT/IM	X	
9	633325	KIT-WATER VALVE-SINGLE PORT	X	
10	624516	WATER VALVE-DISPENSER/DUAL PORT		X
11	626802	JUMPER-WIRE HARNESS	X	X
12	624503	BRACKET-WATER VALVE		X
13	620240	THERMOSTAT-IM HEATER ASSY	X	X
14	625880	NUT-COMPRESSION 5/16"		X
15	626804	HEATER-WATER VALVE		X
16	621429	WATER TUBE/HEATER ASSY/FOR ICE MAKER	X	
	625879	WATER TUBE/HEATER ASSY/FOR ICE MAKER/DISPENSER		X
17	628580	WIRING HARNESS-ICE MAKER	X	X
18	628056	SHELF ASSY-WIRE/FREEZER	X	X
19	619007	BIN-ICE/CRISPER/CLEAR/WDL/SDL	X	X
NS	621755	CORD-AC POWER/ICE MAKER/WHITE (NOT SHOWN)	X	X

NS = NOT SHOWN



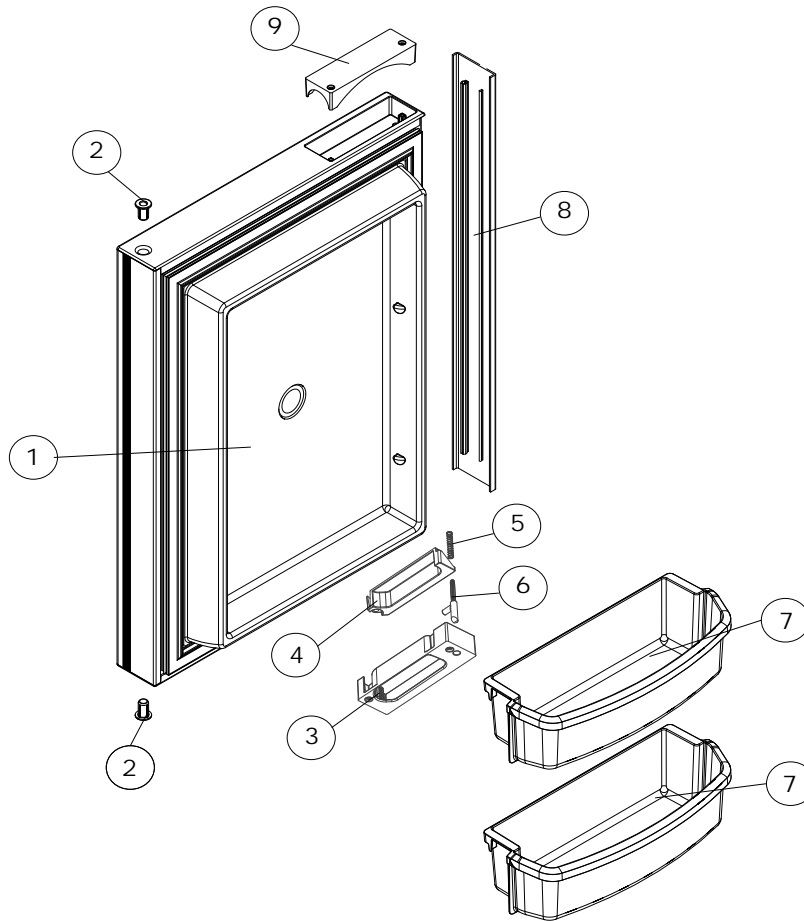
# PARTS LIST 2118 SERIES

---

**MODELS**

<b>2118</b>	<b>2118IMSS</b>
<b>2118IM</b>	<b>2118IMSSD</b>
<b>2118BK</b>	<b>2118IMD</b>
<b>2118IMBK</b>	
<b>2118IMBKD</b>	
<b>2118SS</b>	

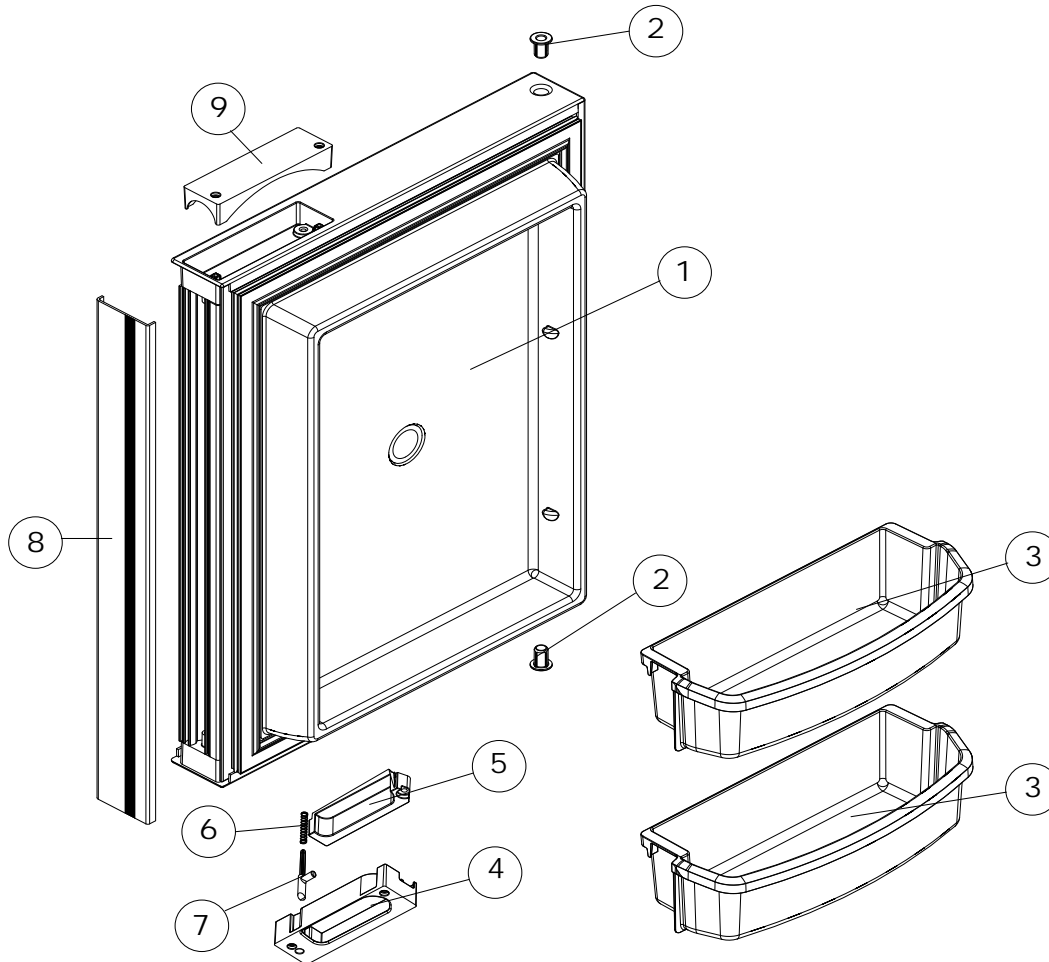
**DOOR - UPPER RH - 2118 SERIES**



NO.	PART #	DESCRIPTION	2118 2118IM	2118IMD	2118BK 2118IMBK	2118IMBKD	2118SS 2118IMSS	2118IMSSD
1	630245	KIT-SERV-DOOR-ASSY-UR	X	X				
	632750	KIT-SERV-DOOR-ASSY-UR-BK			X	X		
	637192	KIT-SERV-DOOR-ASSY-UR-FAUX-SS (SN 23447952AND BELOW, OR THU25975177, OR 26257393 THRU 26319920)					X	X
	638464	KIT-SERV-DOOR-ASSY-UR-430SS (USE SN 26319921 AND ABOVE, OR THRU 23447953 THRU 25948987, OR 25975178 THRU 26257392) (USE SN 25975178 AN ABOVE)					X	X
2	627744	HINGE BUSHING-PANEL DOORS	X	X				
3	627712	DOOR HANDLE HOUSING-UPPER RH/LOWER LH	X	X	X	X	X	X
4	628017	DOOR HANDLE-UPPER RH/LOWER LH	X	X	X	X	X	X
5	627805	SPRING-COMPRESSION	X	X	X	X	X	X
6	628616	DOOR HANDLE LATCH PIN-UPPER RH/LOWER LH	X	X	X	X	X	X
7	636747	BIN-DOOR SHELF/SMALL	X	X	X	X	X	X
8	627423	PANEL RETAINER-UPPER	X	X				
9	627871	COVER-HANDLE POCKET-UPPER RH	X	X	X	X	X	X

NOTE: DOOR LINERS ASSEMBLIES ARE NOT SHIPPED WITH DOOR BINS.

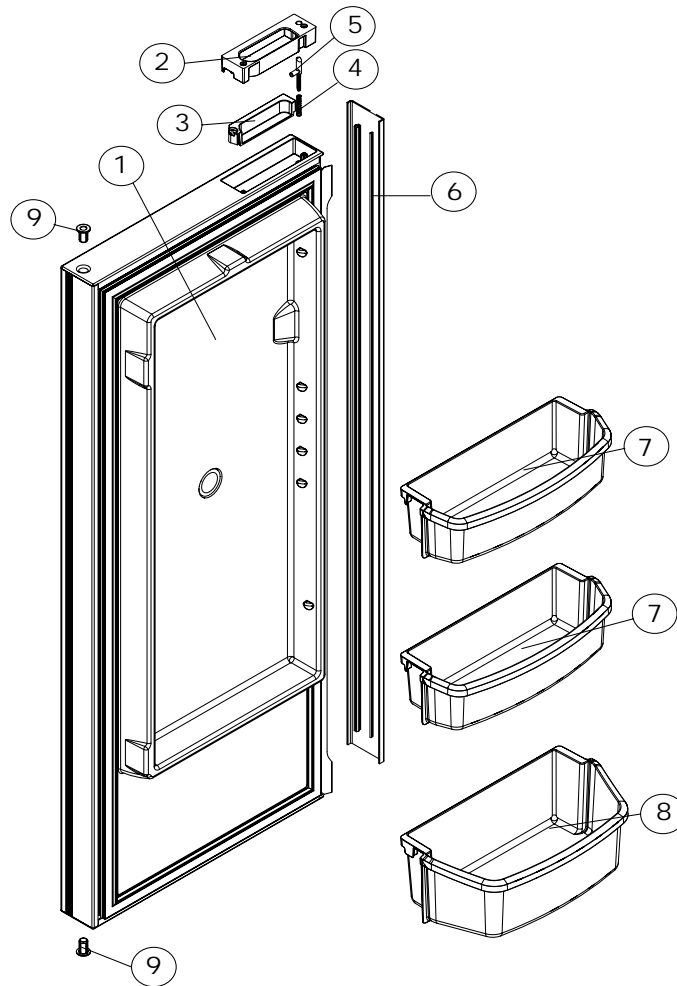
# DOOR - UPPER LH - 2118 SERIES



NO.	PART #	DESCRIPTION	2118 2118IM	2118IMD	2118BK 2118IMBK	2118IMBKD	2118SS 2118IMSS	2118IMSSD
1	630244	KIT-SERV-DOOR-ASSY-UL	X	X				
	632752	KIT-SERV-DOOR-ASSY-UL-BK			X	X		
	637193	KIT-SERV-DOOR-ASSY-UL-FAUX-SS (SN 23447952 AND BELOW, OR THRU 25975177, OR 26257393 THRU 26319920)					X	X
	638465	KIT-SERV-DOOR-ASSY-UL-430SS (USE SN 26319921 AND ABOVE, OR THRU 23447953 THRU 25948987, OR 25975178 THRU 26257392) (USE SN 25975178 AN ABOVE)					X	X
2	627744	HINGE BUSHING-PANEL DOORS	X	X				
3	636747	BIN-DOOR SHELF/SMALL	X	X	X	X	X	X
4	627713	DOOR HANDLE HOUSING-UPPER LH/LOWER RH	X	X	X	X	X	X
5	628018	DOOR HANDLE-UPPER LH/LOWER RH	X	X	X	X	X	X
6	627805	SPRING-COMPRESSION	X	X	X	X	X	X
7	628615	DOOR HANDLE LATCH PIN-UPPER LH/LOWER RH	X	X	X	X	X	X
8	627423	PANEL RETAINER-UPPER	X	X				
9	627870	COVER-HANDLE POCKET-UPPER LH	X	X	X	X	X	X

NOTE: DOOR LINERS ASSEMBLIES ARE NOT SHIPPED WITH DOOR BINS.

# DOOR - LOWER RH - 2118 SERIES

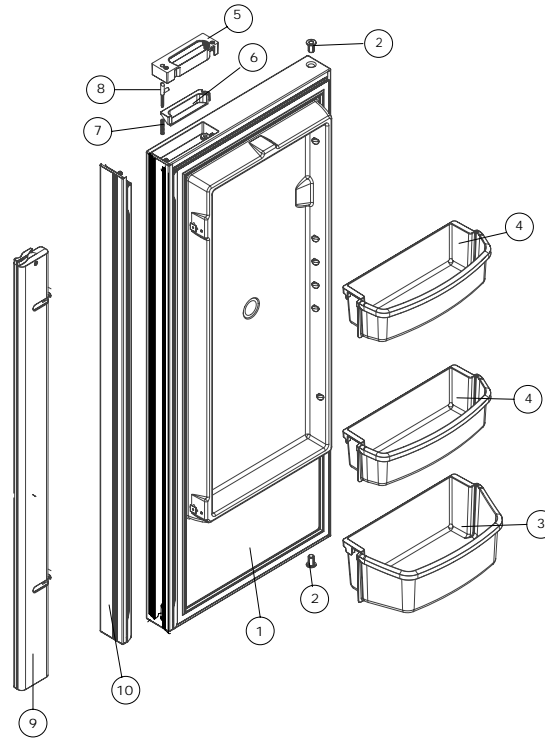


NO.	PART #	DESCRIPTION	2118 2118IM	2118MD	2118BK 2118IMBK	2118IMBKD	2118SS 2118IMSS	2118IMSSD
1	630247	KITT-SERV-DOOR-ASSY-LR	X	X				
	632754	KIT-SERV-DOOR-ASSY-LR-BLK			X	X		
	637194	KIT-SERV-DOOR-ASSY-LR-FAUX-SS (SN 23447952AND BELOW, OR THU25975177, OR 26257393 THRU 26319920)					X	X
	638468	KIT-SERV-DOOR-ASSY-LR-430SS (USE SN 26319921 AND ABOVE, OR THRU 23447953 THRU 25948987, OR 25975178 THRU 26257392) (USE SN 25975178 AN ABOVE)					X	X
2	627713	DOOR HANDLE HOUSING-UPPER LH/LOWER RH	X	X	X	X	X	X
3	628018	DOOR HANDLE-UPPER LH/LOWER RH	X	X	X	X	X	X
4	627805	SPRING-COMPRESSION	X	X	X	X	X	X
5	628615	DOOR HANDLE LATCH PIN-UPPER LH/LOWER RH	X	X	X	X	X	X
6	627424	PANEL RETAINER-LOWER	X	X				
7	636747	BIN-DOOR SHELF/SMALL	X	X	X	X	X	X
8	636748	BIN-DOOR SHELF/GALLON	X	X	X	X	X	X
9	627744	HINGE BUSHING-PANEL DOORS	X	X				

NOTE: DOOR LINERS ASSEMBLIES ARE NOT SHIPPED WITH DOOR BINS.



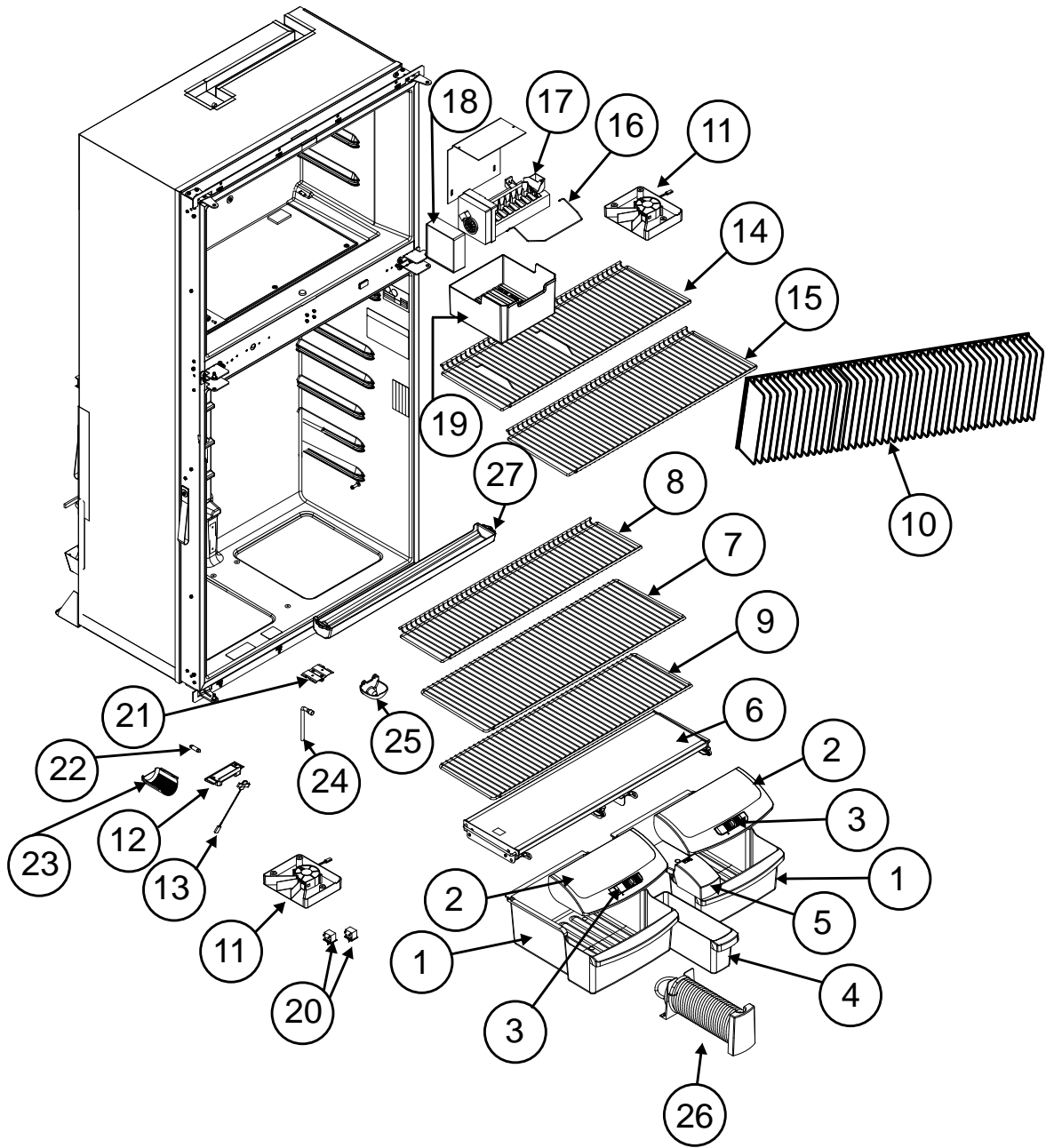
# DOOR - LOWER LH - 2118 SERIES



NO.	PART #	DESCRIPTION	2118IM		2118BK 2118IMBK	2118IMBKD	2118SS 2118IMSS	2118IMSSD
			2118	2118IMD				
1	630246	KIT-SERV-DOOR-ASSY-LL	X					
	630248	KIT-SERV-DOOR-ASSY-LL-DISP		X				
	632757	KIT-SERV-DOOR-ASSY-LL-BK			X			
	632758	KIT-SERV-DOOR-ASSY-DISP-BK				X		
	637195	KIT-SERV-DOOR-ASSY-LL-FAUX-SS (SN 23447952 AND BELOW, OR THU25975177, OR 26257393 THRU 26319920)					X	
	637196	KIT-SERV-DOOR-ASSY-LL-DISP-SS						X
	638469	KIT-SERV-DOOR-ASSY-LL-430SS (USE SN 26319921 AND ABOVE, OR THRU 23447953 THRU 25948987, OR 25975178 THRU 26257392) (USE SN 25975178 AN ABOVE)					X	
	638471	KIT-SERV-DOOR-ASSY-LL-DISP-430SS (USE SN 23447953 AND ABOVE)						X
2	627744	HINGE BUSHING-PANEL DOORS	X	X				
3	636748	BIN-DOOR SHELF/GALLON	X	X	X	X	X	X
4	636747	BIN-DOOR SHELF/SMALL	X	X	X	X	X	X
5	627712	DOOR HANDLE HOUSING-UPPER RH/LOWER LH	X	X	X	X	X	X
6	628017	DOOR HANDLE-UPPER RH/LOWER LH	X	X	X	X	X	X
7	627805	SPRING-COMPRESSION	X	X	X	X	X	X
8	628616	DOOR HANDLE LATCH PIN-UPPER RH/LOWER LH	X	X	X	X	X	X
9	631031	FLAPPER ASSY	X	X	X	X	X	X
10	627424	PANEL RETAINER-LOWER	X	X				

NOTE: DOOR LINERS ARE NOT SHIPPED WITH DOOR BINS AND FLAPPER ASSEMBLY.

**CABINET ASSEMBLY - FRONT VIEW (INTERIOR PARTS) - 2118 SERIES**



## CABINET ASSEMBLY - FRONT VIEW (INTERIOR PARTS)- 2118 SERIES

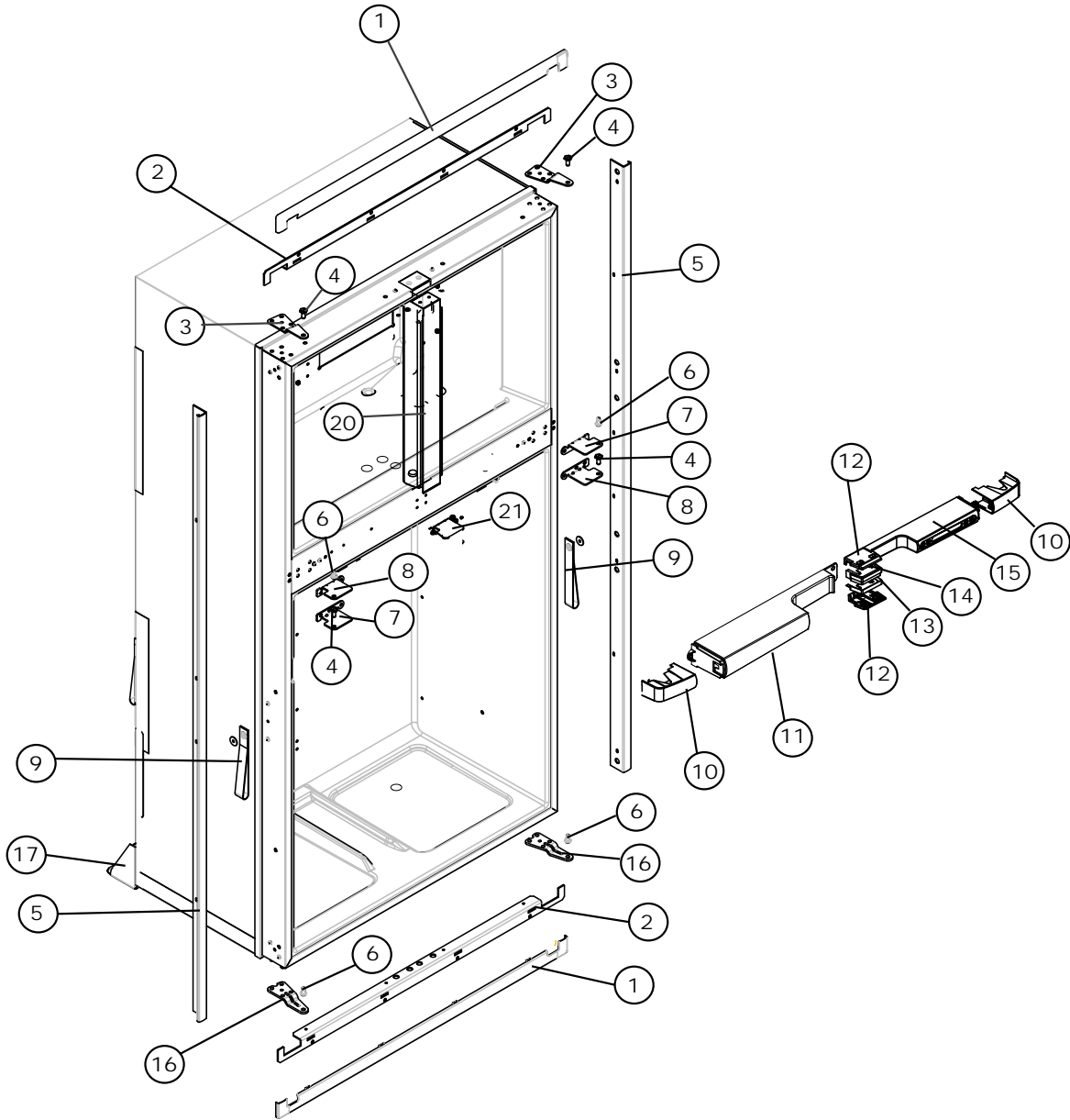
NO.	PART #	DESCRIPTION	NON DISPENSER (IM)	WITH DISPENSER (IMD)
1	627866	CRISPER	X	X
2	627868	CRISPER LID-FLIP TOP	X	X
3	628829	VENT-CRISPER LID	X	X
4	636910	BIN-BEVERAGE CAN	X	X
5	636911	COVER-BEVERAGE BIN	X	X
6	636775	CRISPER COVER ASSY-GLASS SHELF	X	X
NS	629473	SPACER-NYLON/CRISPER COVER ASSY	X	X
7	636689	MIDDLE SHELF- WIRE	X	X
8	636688	TOP SHELF- WIRE	X	X
9	636690	FULL SHELF- WIRE	X	X
10	637363	FIN ASSY-FRESH FOOD	X	X
11	636824	BLOWER ASSY (1 IN FREEZER, 1 IN FRESH FOOD COMPARTMENT)	X	X
12	628076	GUIDE BLOCK	X	X
13	620528	THERMISTOR-CONDENSER (USE 638391)	X	X
	638391	KIT SERVICE THERMISTER REPLACEMENT	x	x
	629409	THERMISTOR FRESH FOOD (USE 639700)	X	X
	639700	KIT SERVICE THERMISTER REPLACEMENT	X	X
14	636850	Wire-SHELF FREEZER WITH HUMP - UPPER	X	X
15	636742	WIRE-SHELF FREEZER WITH/OUT HUMP - UPPER	X	X
NS	636861	RETAINER SHELF	X	X
NS	633734	CLIP-THERMISTER MOUNTING/FIN	X	X
16	61656922	SHUT OFF ARM/IM	X	X
17	633324	KIT-ICE MAKER	X	X
18	61656822	COVER-FRONT/ICE MAKER	X	X
NS	637146	KIT-SERVICE-HEATER TUBE	X	X
19	619007	BIN-ICE/CRISPER/CLEAR/WDL/SDL	X	X
20	623918	SWITCH-LIGHT	X	X
NS	623121	CLAMP 3/8"	X	X
21	61629722	LAMP BRACKET ASSY (USE 638292)	X	X
	638292	KIT SERVICE LAMP BRACKET REPLACEMENT	X	X
22	632545	LAMP-DC LIGHT BULB	X	X
23	621827	COVER-LAMP BRACKET	X	X
24	636932	DISPENSER REEL ASSY		X
NS	629413	WIRE-JUMPER/LAMP (NOT SHOWN)	X	X
25	618774	Drip Tray	X	X
NS	637962	CONDENSATION KIT	X	X
NS	637948	FLEXIBLE SHINGLE (SN 22182704 AND ABOVE)	X	X

NS - NOT SHOWN

 NO LONGER AVAILABLE

CONTINUED ON PAGE 8

**CABINET ASSEMBLY - FRONT VIEW (EXTERIOR PARTS) - 2118 SERIES**



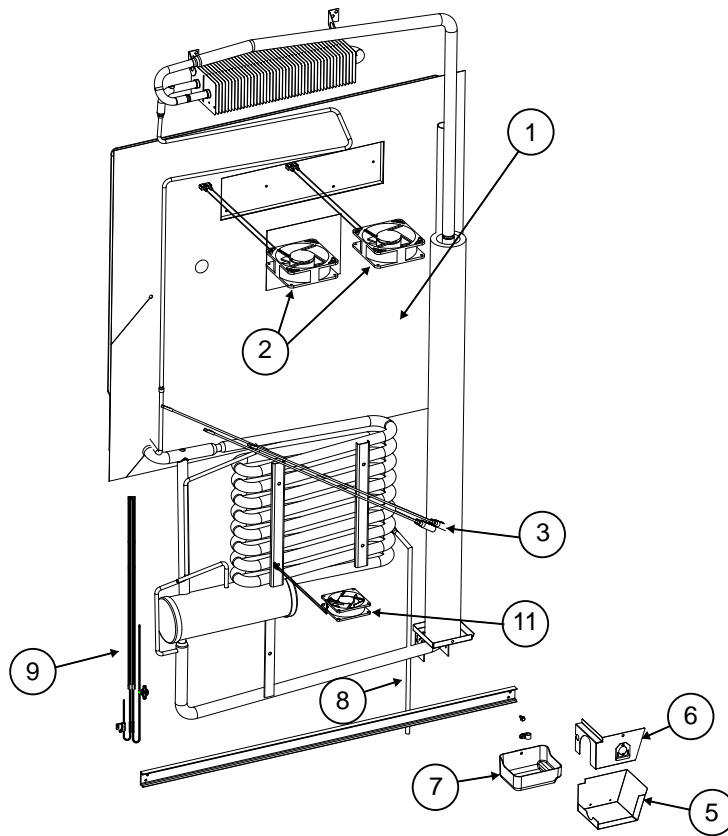
## CABINET ASSEMBLY - FRONT VIEW (EXTERIOR PARTS) - 2118 SERIES

NO.	PART #	DESCRIPTION	NON DISPENSER (IM)	WITH DISPENSER (IMD)
1	627852	TRIM PIECE-TOP/BOTTOM/SET	X	X
2	630363	BRACKET FOAM ASSY-TOP/BOTTOM MOUNTING	X	X
3	627736	HINGE-UPPER	X	X
4	627778	HINGE PIN-UPPER	X	X
5	630362	TRIM PIECE FOAM TAPE ASSY-CABINET/SIDE	X	X
6	627777	HINGE PIN-LOWER	X	X
7	627739	HINGE-CENTER-UPPER RH/LOWER LH	X	X
8	627738	HINGE-CENTER-UPPER LH/LOWER RH	X	X
9	628818	STRAP ASSY-CABINET HANDLING	X	X
10	628579	COVER-HINGE-SNAP ON	X	X
NS	628565	HOUSING-DISPENSER		X
11	628568	CONTROL BOX-DUMMY (NOT SHOWN)	X	
12	628577	STRIKE PLATE	X	X
13	628576	COVER-STRIKE PLATE/BOTTOM	X	X
14	628575	COVER-STRIKE PLATE/TOP	X	X
15	636751	CONTROL ASSY-OPTICAL/2118 SERIES (Use 637081)	X	X
	637081	Kit Optical Control	X	X
16	627740	HINGE-BOTTOM	X	X
17	627849	BRACE-BACK (USE 637591)	X	X
	637591	BRACE-BACK	X	X
NS	637109	NSC SYSTEM PACK-2118 SERIES	X	X
19	628047	DIVIDER ASSY-FREEZER-VERTICAL (USE 638122)	X	X
	638122	DIVIDER ASSY-FREEZER-VERTICAL	X	X
20	628076	GUIDE BLOCK-FLAPPER/2118	X	X
NS	627752	RAIL-BOTTOM SUPPORT (NOT SHOWN)(USE 637586)	X	X
	637586	RAIL-BOTTOM SUPPORT (NOT SHOWN)	X	X

NS - NOT SHOWN

 No longer Available

# COOLING UNIT AREA - REAR VIEW - 2118 SERIES



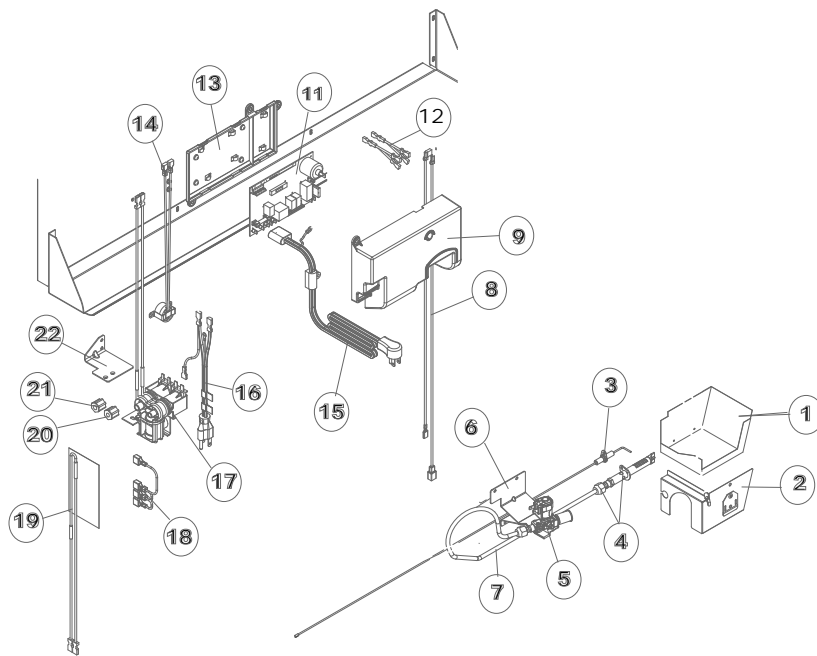
NO.	PART #	DESCRIPTION	NON DISPENSER (IM)	WITH DISPENSER (IMD)
1	637080	KIT-SERVICE SYSTEM PACK 2118	X	X
2	628685	FAN-EXTERNAL DC/HIGH VELOCITY	X	X
	636441	FAN -EXTERNAL DC (USE 628685)	X	X
	637154	KIT-UPPER FAN REPLACEMENT	X	X
NS	628747	BRACKET-DC FAN	X	X
3	630811	HEATER	X	X
	637136	KIT-HEATER REPLACEMENT	X	X
NS	630280	KIT-TEMPERATURE SWITCH CANISTER ASSEMBLY	X	X
NS	637360	TEMPERATURE MONITOR CONTROL KIT	X	X
5	636863	BASE-BURNER BOX (USE 637156)	X	X
	637156	KIT- BURNER BOX BASE REPLACEMENT	X	X
6	637158	KIT-COVER ASSY-BURNER BOX	X	X
7	629490	DRIP CUP-REAR/CABINET	X	X
8	637150	DRAIN HOSE KIT (USE 638992)	X	X
	638992	DRAIN TUBE ASSY KIT	X	X
9	634913	COLD WEATHER KIT	X	X
NS	637124	BAFFLE/WIRE ASSY	X	X
11	637088	FAN ASSY (USE 637283)	X	X
	637283	KIT FAN REPLACEMENT	X	X
NS	628278	KIT SERVICE FAN THERMOSTAT REPLACEMENT	X	X

NS - NOT SHOWN



No Longer Available

# CONTROL PARTS - REAR VIEW - 2118 SERIES



## CONTROL PARTS - REAR VIEW - 2118 SERIES

NO.	PART #	DESCRIPTION	NON DISPENSER (IM)	WITH DISPENSER (IMD)
1	636863	BASE-BURNER BOX (USE 637182)	X	X
	637182	BURNER BOX BRACKET ASSY	X	X
2	637158	KIT-COVER ASSY-BURNER BOX	X	X
3	61692222	ELECTRODE-SPARK/SENSE	X	X
	637138	KIT-SPARK/SENSE ELECTRODE REPLACEMENT KIT	X	X
4	638144	KIT, SERVICICE BURNER ORIFICE ADAPTER	X	X
5	633726	GAS VALVE-SOLENOID	X	X
6	628993	BRACKET-MOUNTING/GAS VALVE	X	X
7	636812	BURNER TUBE	X	X
8	628989	WIRE FAN INPUT NEGATIVE- BLACK	X	X
	628990	WIRE FAN INPUT POSITIVE- RED	X	X
9	628677	COVER-POWER BOARD/LARGE	X	X
11	637082	POWER BOARD KIT	X	X
12	628692	RED WIRE- ALL MALE CONNECTOR	X	X
	628690	BLACK WIRE- ALL MALE CONNECTOR	X	X
	618978	RED WIRE 6"/18 GA- 1 FEMALE CONNECTOR , 2 MALE CONNECTOR	X	X
	619017	BLACK WIRE 6"/18 GA- 1 FEMALE CONNECTOR, 2 MALE CONNECTOR	X	X
13	628674	BASE-POWER BOARD/LARGE (USE 637160)	X	X
	637160	KIT-SERV-POWER BOARD BASE REPLACEMENT	X	X
14	620240	THERMOSTAT-IM HEATER ASSY	X	X
15	621755	CORD-AC POWER/ICE MAKER/WHITE	X	X
16	61554422	CORD-AC POWER/BLACK	X	X
17	624516	WATER VALVE-DISPENSER/DUAL PORT		X
	633325	KIT-WATER VALVE-SINGLE PORT (Use 638289)	X	
	638289	KIT -SERVICE WATER VALVE SINGLE PORT	X	
NS	625856	WATER VALVE/HEATER ASSY-DISPENSER		X
18	626802	WIRE-JUMPER-WIRE HARNESS/DISPENSER		X
19	626804	HEATER-WATER VALVE/DISPENSER		X
20	622991	NUT-COMPRESSION/PLASTIC/WATER VALVE FITTING/IM	X	X
21	625880	NUT-COMPRESSION 5/16"/DISPENSER		X
22	624503	BRACKET-WATER VALVE/DISPENSER		X

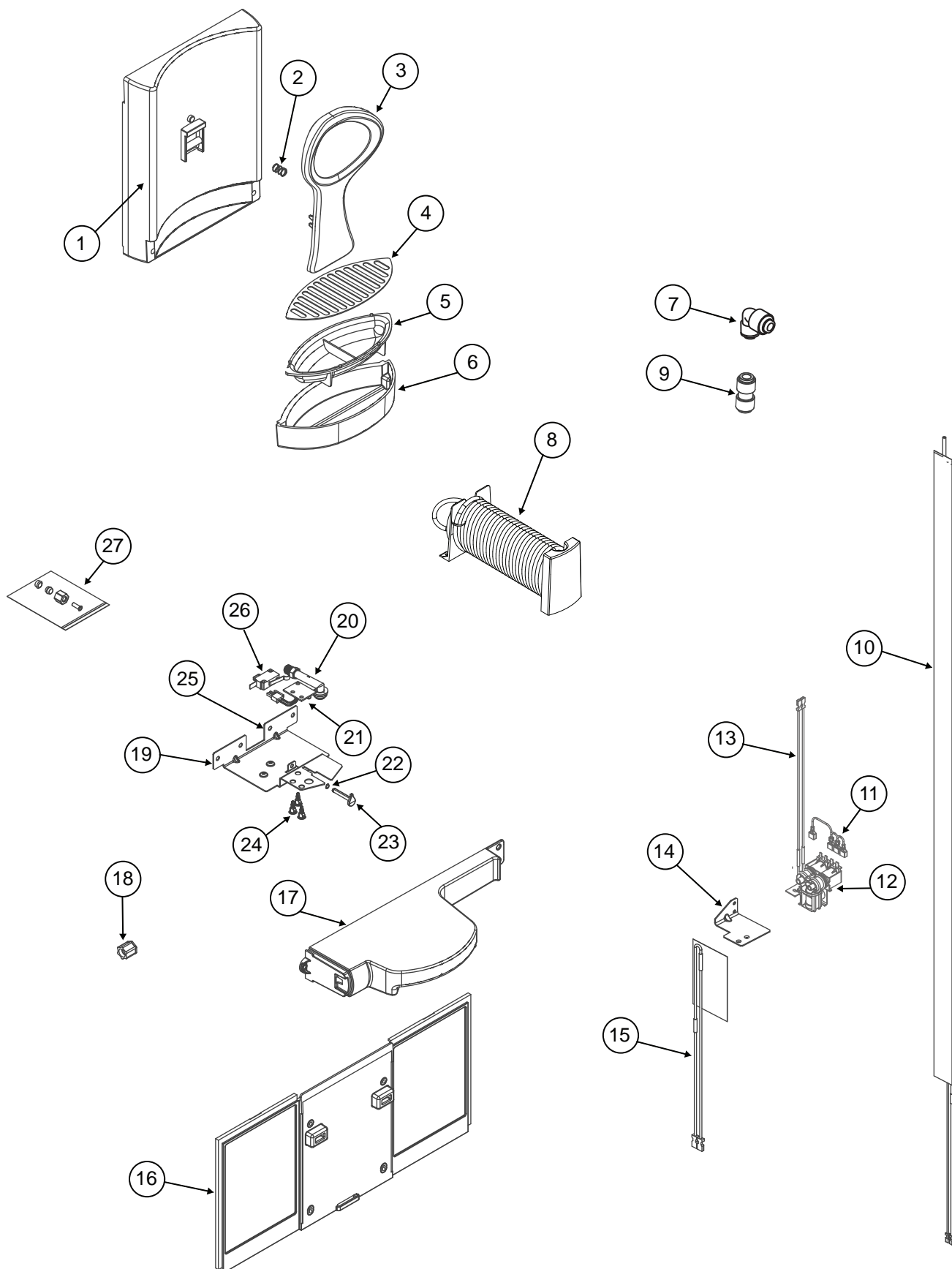
No Longer Available

NS

NOT SHOWN



# WATER DISPENSER PARTS - 2118 SERIES



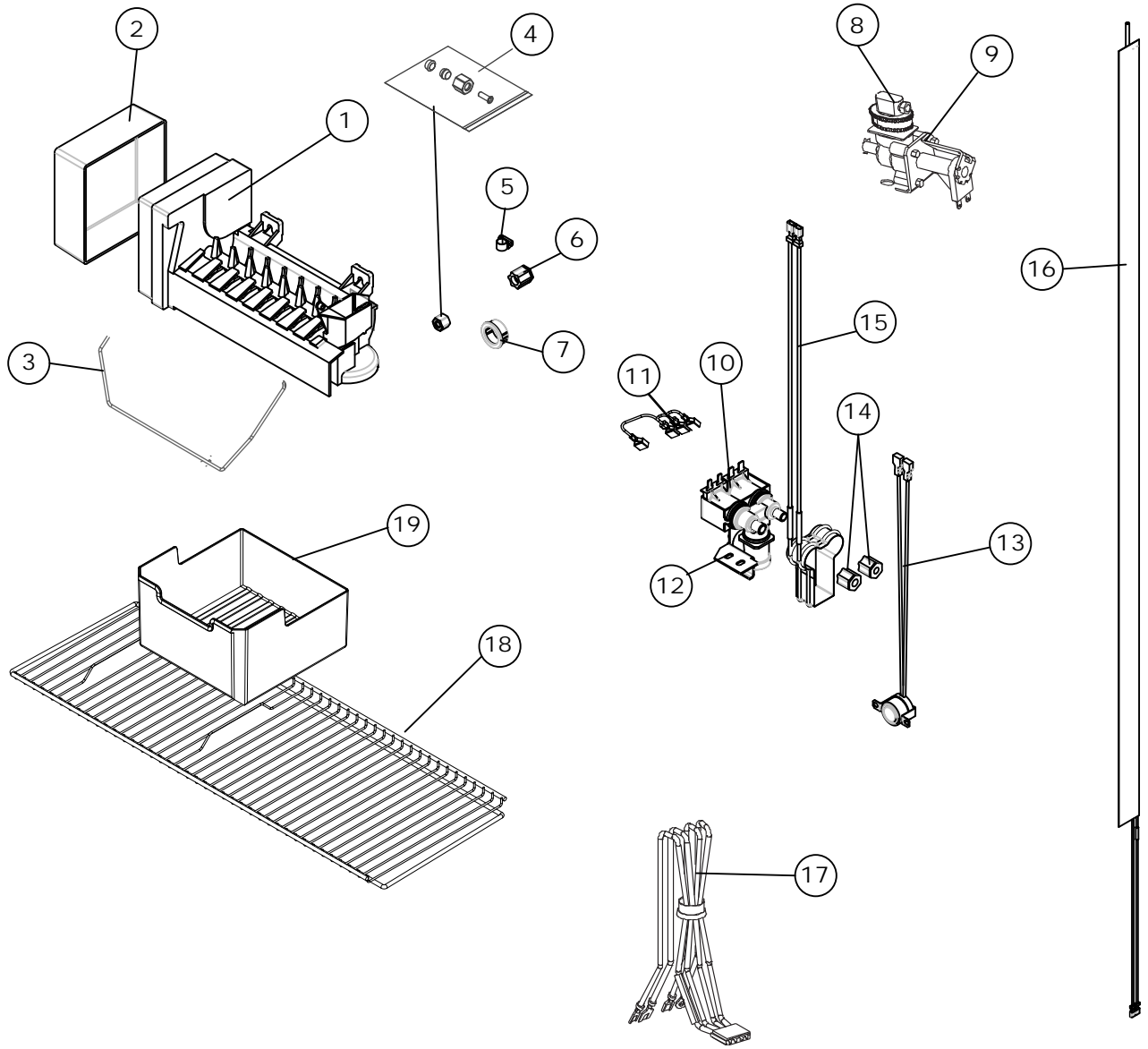
## WATER DISPENSER PARTS- 2118 SERIES

NO.	PART #	DESCRIPTION	2118 PANEL	2118 WRAP
1	629486	BACKSPLASH ASSY	X	X
	627570	BACKSPLASH/CLIP ASSY (USE 635687)	X	X
	635687	BACKSPLASH/CLIP ASSY	X	X
2	618182	SPRING-COMPRESSION	X	X
3	624391	PADDLE	X	X
4	625241	DRAIN GRID	X	X
5	625385	DRIP CUP-INSIDE	X	X
6	625366	DRIP TRAY-OUTSIDE	X	X
7	637067	CONNECTOR-UNION ELBOW	X	X
8	636932	DISPENSER REEL ASSY- 2118	X	X
9	638164	CONNECTOR-5/16" UNION	X	X
10	625879	WATER TUBE/HEATER ASSY	X	X
11	626802	JUMPER-WIRE HARNESS (USE 637168)	X	X
	637168	KIT- SERV-IMD JUMPER WIRE HARNESS	X	X
12	637164	KIT-WATER VALVE-DUAL PORT	X	X
13	626804	HEATER-WATER VALVE	X	X
	625856	WATER VALVE/HEATER ASSY (NO. 13 AND NO. 14)	X	X
14	624503	BRACKET-WATER VALVE	X	X
15	629401	HEATER-WATER LINE (USE 637170)	X	X
	637170	KIT-SERV-DISP WATER LINE HEATER REPLACEMENT	X	X
16	628827	TRIM PANEL-PANEL DOORS	X	
	628635	TRIM PANEL-WRAP DOORS		X
17	628565	HOUSING	X	X
18	625880	NUT-COMPRESSION 5/16"	X	X
19	628567	WATER DISPENSER BRACKET ASSY	X	X
20	626820	SPIGOT	X	X
21	627143	BOARD-LED	X	X
22	628916	RING-RETAINING	X	X
23	628578	PLUNGER	X	X
24	625006	FASTENER-LED BOARD	X	X
25	628566	BRACKET-WATER DISPENSER	X	X
26	624574	SWITCH (USE 637172)	X	X
	637172	KIT-SERV-DISP SWITCH REPLACEMENT	X	X
27	625882	KIT-IM TUBE FITTINGS (COMBINATION OF A, B, C, & D)	X	X
A	61692622	SLEEVE-BALL/.25"/TUBE COMPRESSION RING/BRASS	X	X
B	622846	NUT-BRASS/GARDEN HOSE ADAPTER	X	X
C	623181	SLEEVE-BALL/.25"/TUBE COMPRESSION RING/PLASTIC	X	X
D	622835	INSERT-BRASS/.40" OEM WATER LINE/IM	X	X
NS	630248	DOOR LINER WITH HANDLE/LOWER/LH/PANEL	X	
NS	630253	DOOR LINER WITH HANDLE/LOWER/LH/WRAP/DISP/SS		X
NS	63035401	DOOR LINER WITH HANDLE/LOWER/LH/WRAP/DISP/WPM		X

PART IS NO LONGER AVAILABLE

NS - NOT SHOWN

**ICE MAKER PARTS - 2118 SERIES**



## ICE MAKER PARTS - 2118 SERIES

NO.	PART #	DESCRIPTION	NON DISPENSER (IM)	WITH DISPENSER (IMD)
1	637582	KIT-ICE MAKER	X	X
2	61656822	COVER-FRONT/ICE MAKER	X	X
3	61656922	SHUT OFF ARM/ICE MAKER	X	X
4	623182	KIT-OEM WATER TUBE FITTINGS (COMBINATION OF A, C & D)	X	
	625882	KIT-OEM WATER TUBE FITTINGS (COMBINATION OF A, B, C, & D)		X
A	61692622	SLEEVE-BALL/.25"/TUBE COMPRESSION RING/BRASS	X	X
B	622846	NUT-BRASS/GARDEN HOSE ADAPTER		X
C	623181	SLEEVE-BALL/.25"/TUBE COMPRESSION RING/PLASTIC	X	X
D	622835	INSERT-BRASS/.40" OEM WATER LINE/IM	X	X
5	61690822	CLAMP-TUBING/IM	X	X
6	622991	NUT-COMPRESSION/PLASTIC/WATER VALVE FITTING/IM	X	X
7	61541422	BUSHING-SNAP	X	X
8	61679622	GARDEN HOSE ADAPTER-STRAIGHT/IM	X	
9	633325	KIT-WATER VALVE-SINGLE PORT (USE 637140)	X	
	637140	KIT-SERVI-WATERVALVE-SINGLE PORT	X	
10	637164	KIT-WATER VALVE-DISPENSER/DUAL PORT (USE 637166)		X
	637166	KIT-SERV-IMD-WATER VALVE/HEATER REPLACEMENT		X
11	626802	JUMPER-WIRE HARNESS	X	X
12	624503	BRACKET-WATER VALVE		X
13	620240	THERMOSTAT-IM HEATER ASSY	X	X
14	625880	NUT-COMPRESSION 5/16"		X
15	626804	HEATER-WATER VALVE		X
16	637142	IM WATER TUBE/HEATER ASSY KIT	X	
	636972	WATER TUBE/HEATER ASSY/FOR ICE MAKER/DISPENSER		X
17	636950	WIRING HARNESS-ICE MAKER (USE 637147)	X	X
	637147	KIT-SERV- ICE MAKER WIRE HARNESS	X	X
19	619007	BIN-ICE/CRISPER/CLEAR/WDL/SDL	X	X
NS	621755	CORD-AC POWER/ICE MAKER/WHITE (NOT SHOWN)	X	X

NS = NOT SHOWN

 NO LONGER AVAILABLE



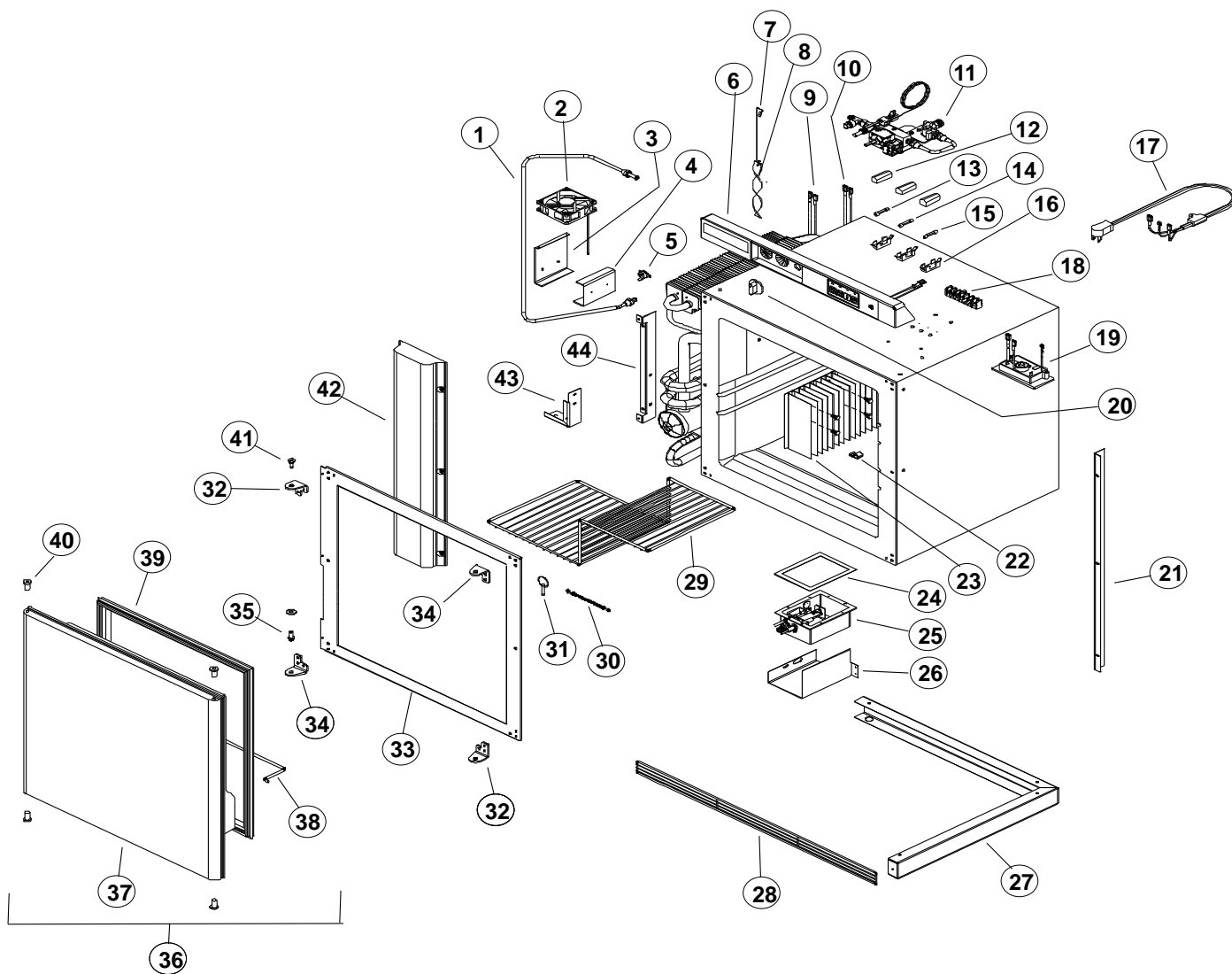
# PARTS LIST

## 3163 SERIES

3163G  
3163T  
3163VWG  
3163HBV  
3163LG  
3163LGB16  
3163LGHBV  
3163LGHHB  
3163LGR  
3163LGH26R

PART NO. 619703  
NORCOLD 5/22/2017

# FRONT VIEW - 3163 SERIES



ART00797

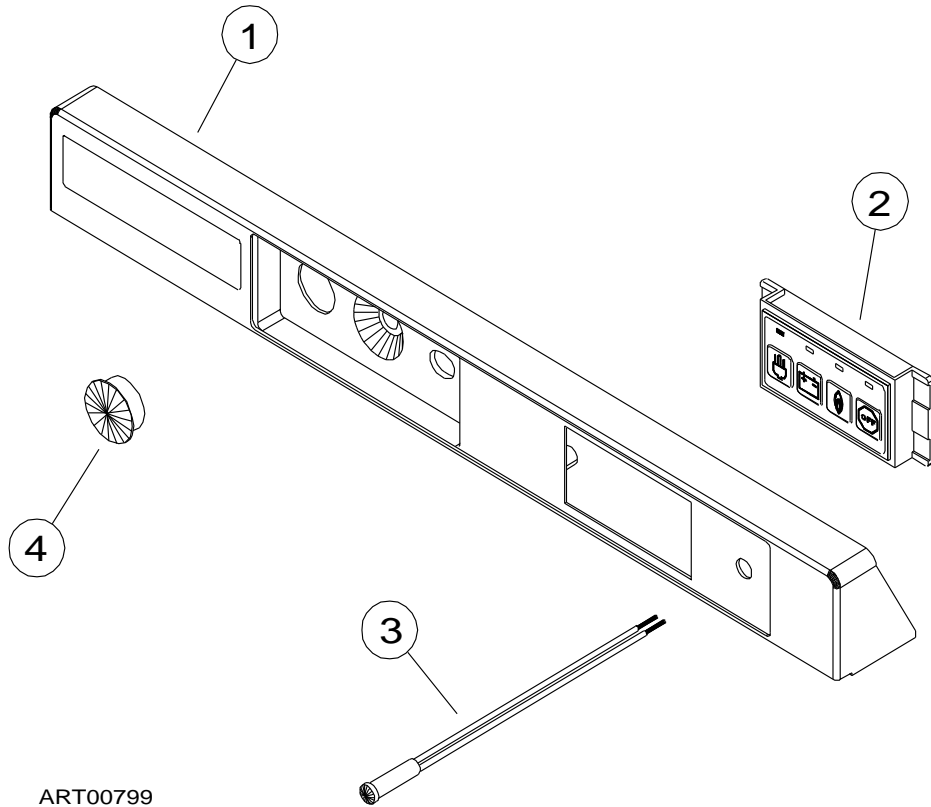


# FRONT VIEW - 3163 SERIES

NO.	PART #	DESCRIPTION	3163G	3163T	3163VWG	3163HBV	3163LG	3163LGB16	3163LGHBY	3163LGHBB	3163LGR	3163LGH26R
36	617915	DOOR ASSY-GRAY (USE 620297/3163LG)	X									
	617914	DOOR ASSY-TAUPE (USE 620297/3163LG)		X								
	620342	DOOR ASSY-VWG (USE 620297/3163LG)			X	X						
	618678	DOOR ASSY-VWG/DARK GRAY (USE 620297/3163LG)			X	X						
	620297	DOOR ASSY-LG					X	X	X	X	X	X
37	617999	DOOR LINER ASSY-GRAY (USE 620297/3163LG)	X									
	618000	DOOR LINER ASSY-TAUPE (USE 620297/3163LG)		X								
	618679	DOOR LINER ASSY-VWG/DARK (USE 620297/3163LG)			X	X						
	620341	DOOR LINER ASSY-VWG/DARK GRAY (USE 620297/3163LG)			X	X						
	620296	DOOR LINER ASSY-LIGHT GRAY					X	X	X	X	X	X
38	618064	DOOR RAIL-WHITE	X	X	X	X	X	X	X	X	X	X
39	624119	DOOR GASKET	X	X	X	X	X	X	X	X	X	X
40	61742022	HINGE BUSHING	X	X	X	X	X	X	X	X	X	X
41	61114600	HINGE PIN-TOP(USE 638630)	X	X	X	X	X	X	X	X	X	X
	638630	KIT SERVICE UPPER HINGE PIN REPLACEMENT	X	X	X	X	X	X	X	X	X	X
42	617905	SYSTEM COVER (USE 625113 / 3163LG)	X									
	617904	SYSTEM COVER (USE 625113 / 3163LG)		X								
	618676	SYSTEM COVER (USE 625113 / 3163LG)			X	X						
	620343	SYSTEM COVER (USE 625113 / 3163LG)			X	X						
	620299	SYSTEM COVER (USE 625113 / 3163LG)					X	X	X	X		
	625113	SYSTEM COVER-3163LG/RH									X	X
43	617909	BRACKET-MOUNTING/LEFT FRONT/L SHAPED	X	X	X	X	X	X	X	X	X	X
44	617946	MOUNTING ANGLE-LEFT	X	X	X	X	X	X	X	X		
		PART IS NO LONGER AVAILABLE										



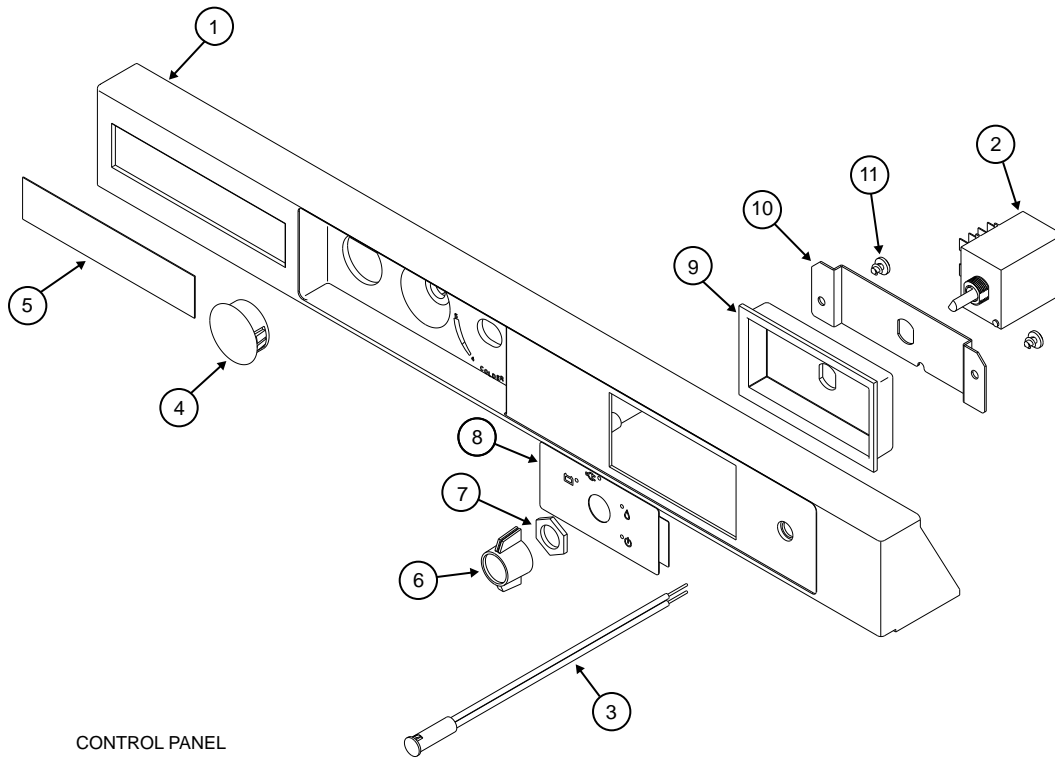
# CONTROL PANEL ASSEMBLY - SERIAL NUMBER: 18723312 AND BELOW



ART00799

NO.	PART #	DESCRIPTION	3163G	3163T	3163VWG	3163HBV	3163LG	3163LGB16	3163LGBV	3163LGHHB	3163LGR	3163LGH26R
	618021	CONTROL PANEL ASSY-3163 (USE 638510)	X	X	X	X	X	X	X	X	X	X
	638510	KIT-CONTROL PANEL ASSY-3163	X	X	X	X	X	X	X	X	X	X
1	621328	CONTROL PANEL	X	X	X	X	X	X	X	X	X	X
2	617945	SWITCH-PUSH BUTTON (USE 636540)	X	X	X	X	X	X	X	X	X	X
	636540	KIT-SWITCH-PUSH BUTTON	X	X	X	X	X	X	X	X	X	X
3	61609022	INDICATOR LIGHT-FLAME	X	X	X	X	X	X	X	X	X	X
4	617981	HOLE PLUG-1" BLACK/CONTROL PANEL	X	X	X	X	X	X	X	X	X	X
NS	620623	NAMEPLATE-BLUE (NOT SHOWN)					X	X	X	X	X	X
		PART IS NO LONGER AVAILABLE										

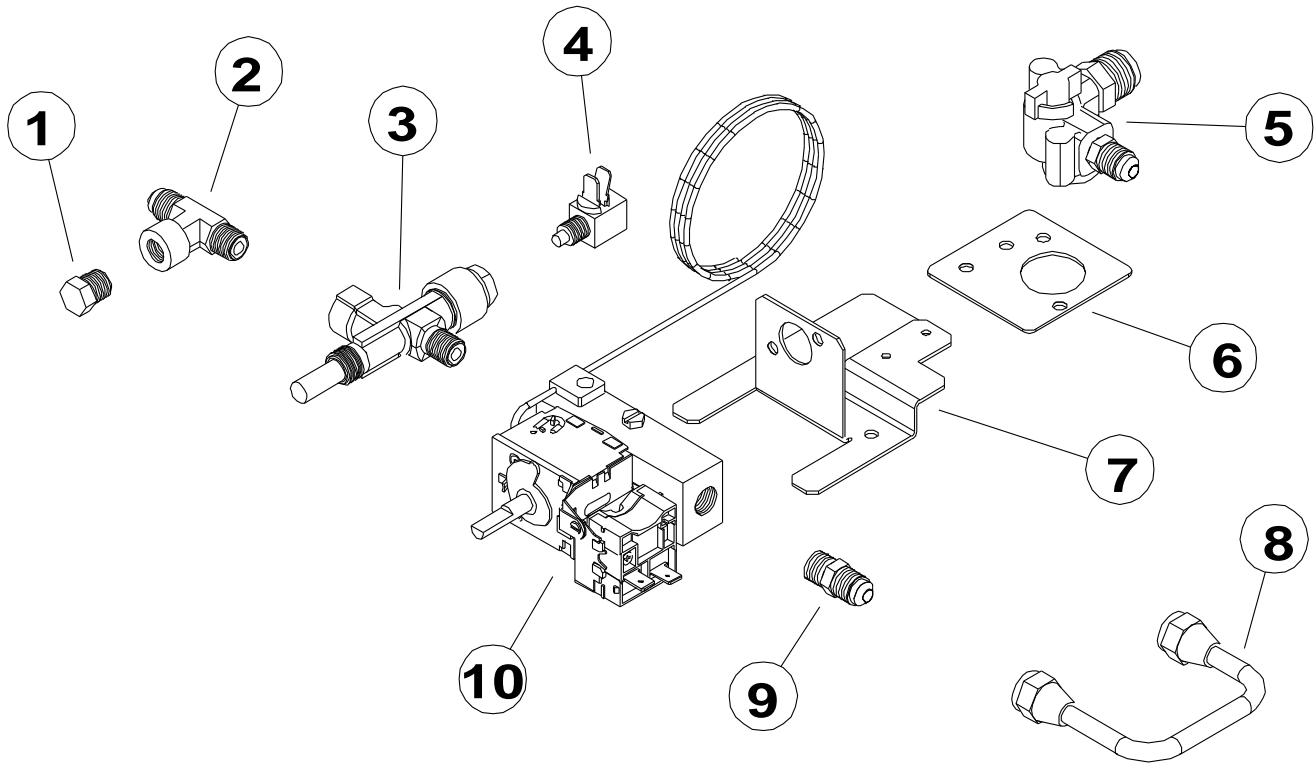
# CONTROL PANEL ASSEMBLY - SERIAL NUMBER: 18723313 AND ABOVE



CONTROL PANEL

NO.	PART #	DESCRIPTION	3163LG	3163LGB16	3163LGHBY	3163LGHBB	3163LGR	3163LGH26R
	636442	CONTROL PANEL ASSY-3163	X	X	X	X	X	X
1	621328	CONTROL PANEL	X	X	X	X	X	X
2	620863	SWITCH SELECTOR	X	X	X	X	X	X
3	61609022	INDICATOR LIGHT-FLAME	X	X	X	X	X	X
4	617981	HOLE PLUG-1" BLACK/CONTROL PANEL	X	X	X	X	X	X
5	620623	NAMEPLATE-BLUE	X	X	X	X	X	X
6	61748722	KNOB SELECTOR	X	X	X	X	X	X
7	621308	HEX NUT-M12	X	X	X	X	X	X
8	636383	LABEL-SELECTOR SWITCH GRAPHICS	X	X	X	X	X	X
9	636364	HOUSING, SWITCH, CONTROL PANEL, TRIMMED	X	X	X	X	X	X
10	636365	BRACKET, CONTROL PANEL	X	X	X	X	X	X
11	61749522	SCREW; #8-1/4 P.HD	X	X	X	X	X	X

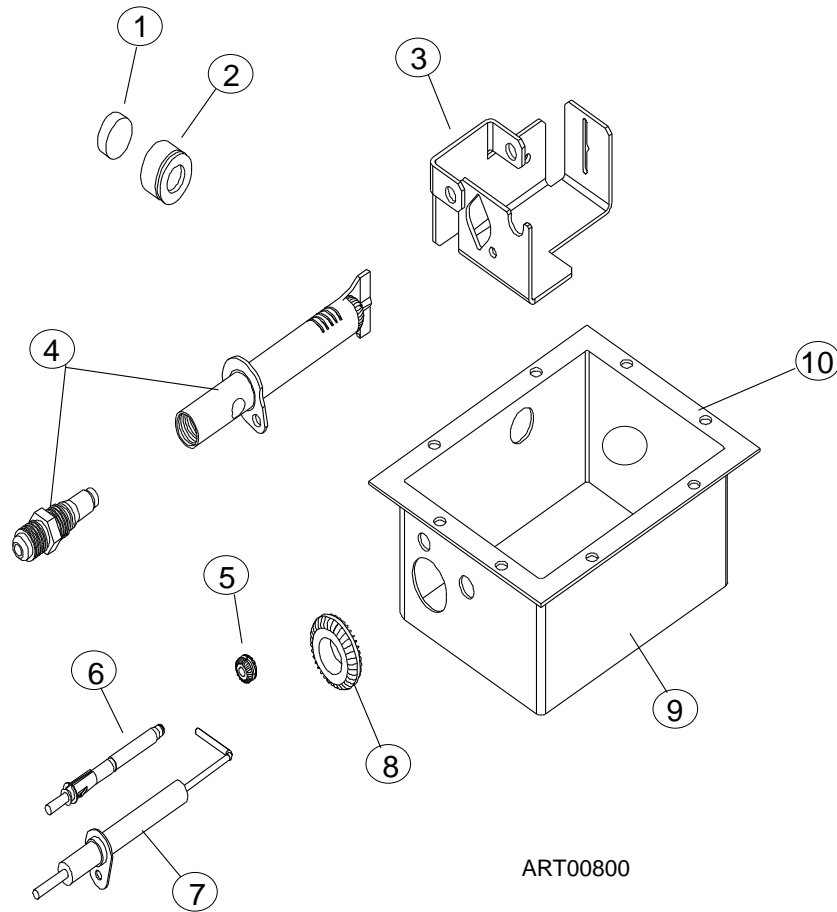
# CONTROL ASSEMBLY - 3163 SERIES



ART00798

NO.	PART #	DESCRIPTION	3163G	3163T	3163VWG	3163HBV	3163LG	3163LGB16	3163LGHBY	3163LGHBB	3163LGR	3163LGH26R
1	61445322	PLUG-FOR PRESSURE TAP/1/8"	X	X	X	X	X	X	X	X	X	X
2	61594422	PRESSURE TAP	X	X	X	X	X	X	X	X	X	X
3	622746001	KIT-SAFETY VALVE/EXTENSION PLUG (USE 638094)	X	X	X	X	X	X	X	X	X	X
	638094	KIT-SERVICE GAS SAFETY VALVE REPLACEMENT	X	X	X	X	X	X	X	X	X	X
4	621737	INTERRUPTER	X	X	X	X	X	X	X	X	X	X
5	617976	MANUAL SHUTOFF VALVE ASSY	X	X	X	X	X	X	X	X	X	X
6	61749822	BRACKET-MANUAL SHUT OFF VALVE	X	X	X	X	X	X	X	X	X	X
7	617952	BRACKET-MOUNTING/THERMOSTAT/GAS VALVE	X	X	X	X	X	X	X	X	X	X
8	61694622	UNION TUBE	X	X	X	X	X	X	X	X	X	X
9	61546822	CONNECTOR-MALE	X	X	X	X	X	X	X	X	X	X
10	617944	GAS VALVE-THERMOSTAT CONTROL	X	X	X	X	X	X	X	X	X	X
		NO LONGER AVAILABLE										

# BURNER AREA - 3163 SERIES



ART00800

NO.	PART #	DESCRIPTION	3163G	3163T	3163VWG	3163HBV	3163LG	3163LGB16	3163LGHBV	3163LGHHB	3163LGR	3163LGH26R
1	617995	SIGHT GLASS-3163	X	X	X	X	X	X	X	X	X	X
2	617933	GROMMET-SIGHT GLASS/3163	X	X	X	X	X	X	X	X	X	X
3	617927	BRACKET-BURNER MOUNTING	X	X	X	X	X	X	X	X	X	X
4	621951	KIT-BURNER/ORIFICE ADAPTER ASSY	X	X	X	X	X	X	X	X	X	X
5	617997	GROMMET-THERMOCOUPLE	X	X	X	X	X	X	X	X	X	X
6	617983	THERMOCOUPLE	X	X	X	X	X	X	X	X	X	X
7	617966	ELECTRODE-SPARK/3163	X	X	X	X	X	X	X	X	X	X
8	617996	GROMMET-BURNER/3163	X	X	X	X	X	X	X	X	X	X
9	617925	BURNER BOX	X	X	X		X				X	
	620414	BURNER BOX ASSY-B16						X				
	618956	BURNER BOX ASSY-HBV				X			X			
	618977	BURNER BOX ASSY-HHB								X		
	625149	BURNER BOX ASSY-3163LGH26R/26"										X
10	617977	GASKET-BURNER BOX	X	X	X	X	X	X	X	X	X	X



# PARTS LIST

## 9100 SERIES

9162

9163

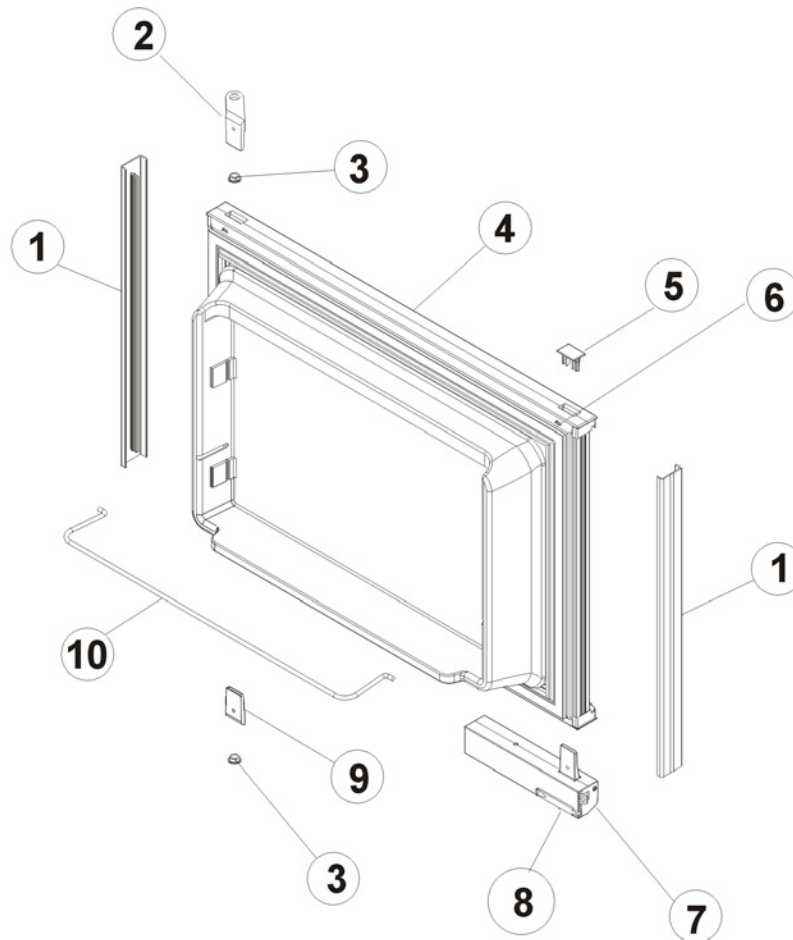
9182

9182F

9183

PART NO. 634012  
NORCOLD 09/17/2014

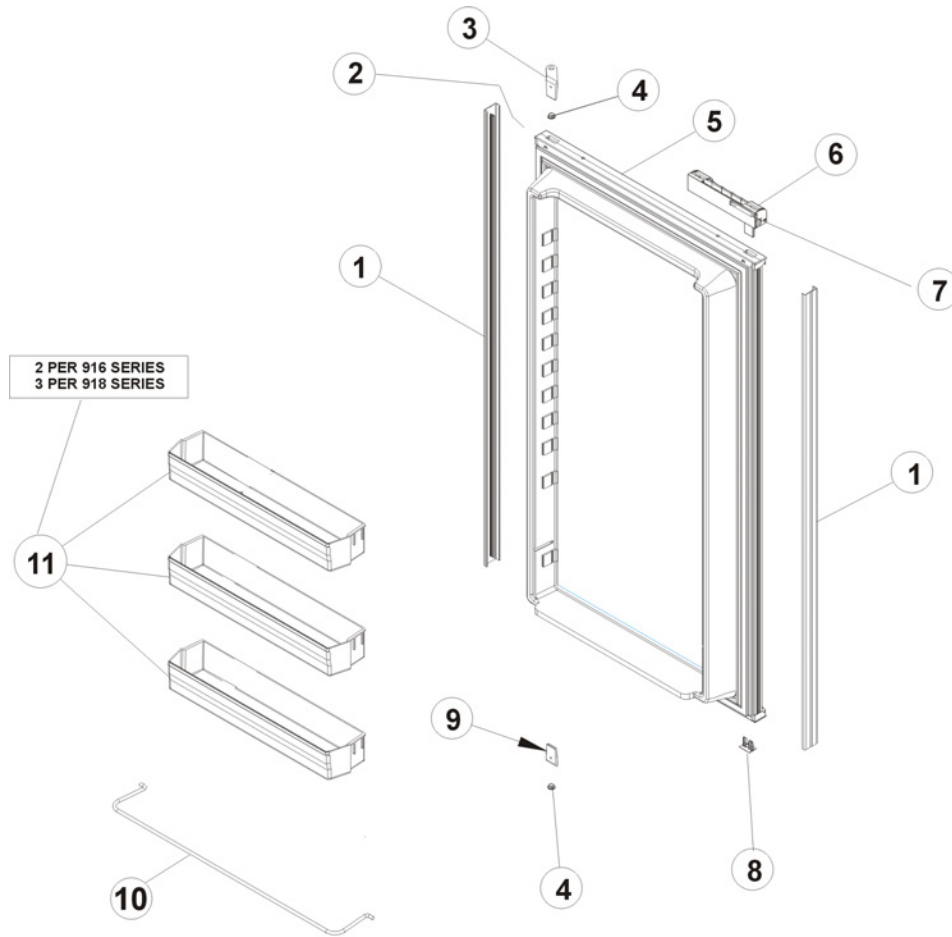
# DOOR - UPPER (FREEZER) - 9100 SERIES



ART01183

NO.	PART #	DESCRIPTION	916	918
1	618128	PANEL RETAINER-UPPER DOOR	X	X
2	618511	HINGE-DOOR SIDE/TOP RH/BTM LH/BLACK	X	X
3	618144	HINGE BUSHING-DOOR HINGE/BLACK	X	X
4	618205	DOOR LINER ASSY-UPPER/GRAY DOOR GASKET	X	X
	620076	DOOR LINER ASSY-UPPER/WHITE DOOR GASKET (USE 619627)	X	X
5	618160	CAP-HINGE PLUG/BLACK	X	X
6	619569	BOLT-CAP SHOULDER/TORX HEAD	X	X
7	618235	DOOR HANDLE ASSY-UPPER DOOR/RH SWING/BLACK (USE 619574)	X	X
8	618119	STORAGE LATCH-DOOR/BLACK (USE 619648)	X	X
9	618510	HINGE-DOOR SIDE/TOP LH/BTM RH/BLACK	X	X
10	618618	RAIL-UPPER DOOR	X	X
		PART IS NO LONGER AVAILABLE		

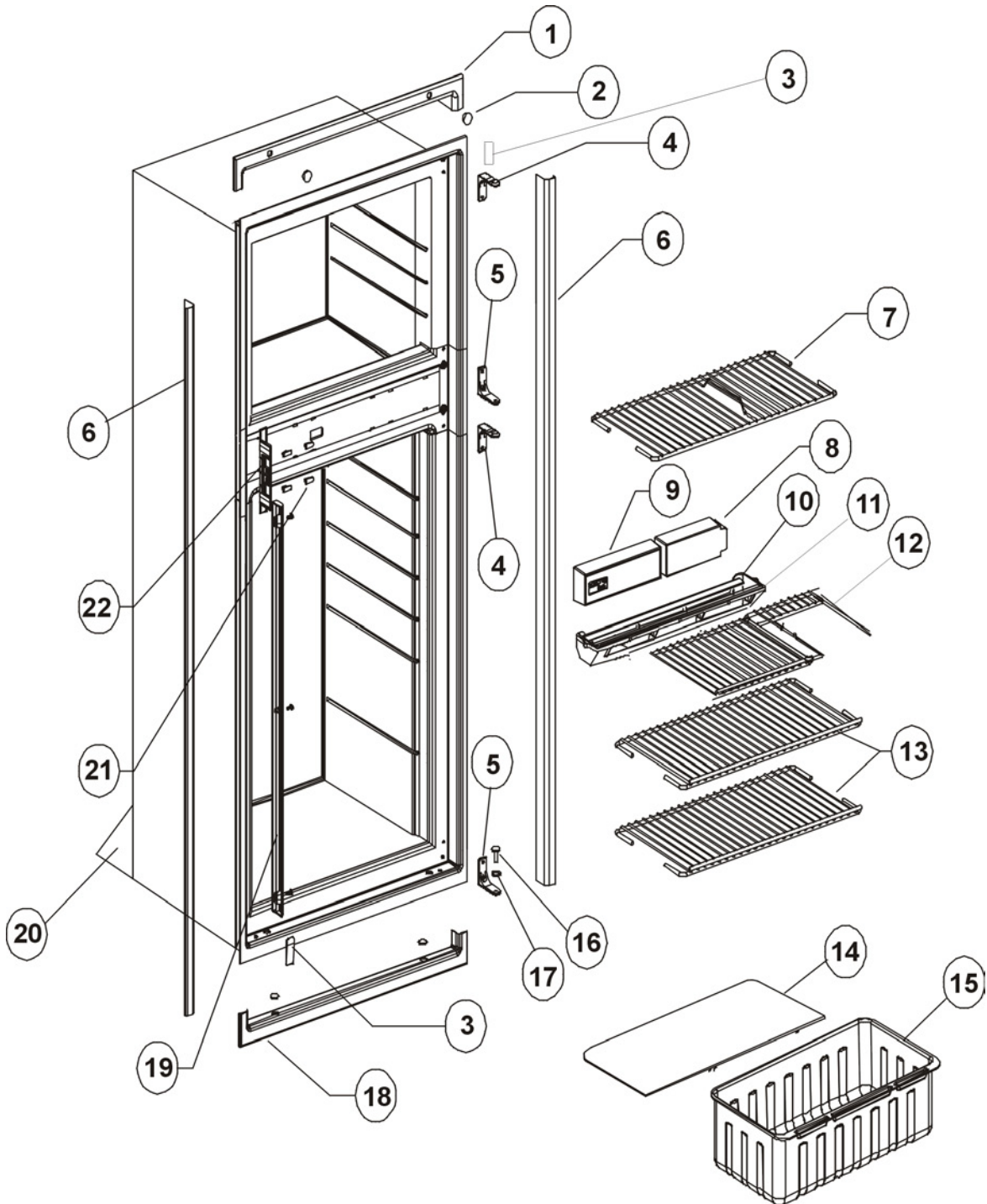
# DOOR - LOWER (FRESH FOOD) - 9100 SERIES



ART01184

NO.	PART #	DESCRIPTION	916	918
1	618132	PANEL RETAINER-LOWER DOOR	X	
	618129	PANEL RETAINER-LOWER DOOR		X
2	619569	BOLT-CAP SHOULDER/TORX HEAD	X	X
3	618511	HINGE-DOOR SIDE/TOP RH/BTM LH/BLACK	X	X
4	618144	HINGE BUSHING-DOOR HINGE/BLACK	X	X
5	618210	DOOR LINER ASSY-LOWER/6 FT/GRAY DOOR GASKET	X	
	620077	DOOR LINER ASSY-LOWER/6 FT/WHITE DR GASKET (USE 619629)	X	
	618270	DOOR LINER ASSY-LOWER/8 FT/GRAY DOOR GASKET (USE 630255)		X
	620081	DOOR LINER ASSY-LOWER/8 FT/WHITE DR GASKET (USE 619631)		X
6	618230	DOOR HANDLE ASSY-LOWER DOOR/RH SWING/BLACK (USE 619573)	X	X
7	618119	STORAGE LATCH-DOOR/BLACK (USE 619648)	X	X
8	618160	CAP-HINGE PLUG/BLACK	X	X
9	618510	HINGE-DOOR SIDE/TOP LH/BTM RH/BLACK	X	X
10	618578	RAIL-LOWER DOOR	X	X
11	618619	BIN-DOOR SHELF/SMALL/WHITE (2 PER 916 & 3 PER 918)	2	3
		PART IS NO LONGER AVAILABLE		

# CABINET ASSEMBLY - FRONT VIEW - 9100 SERIES



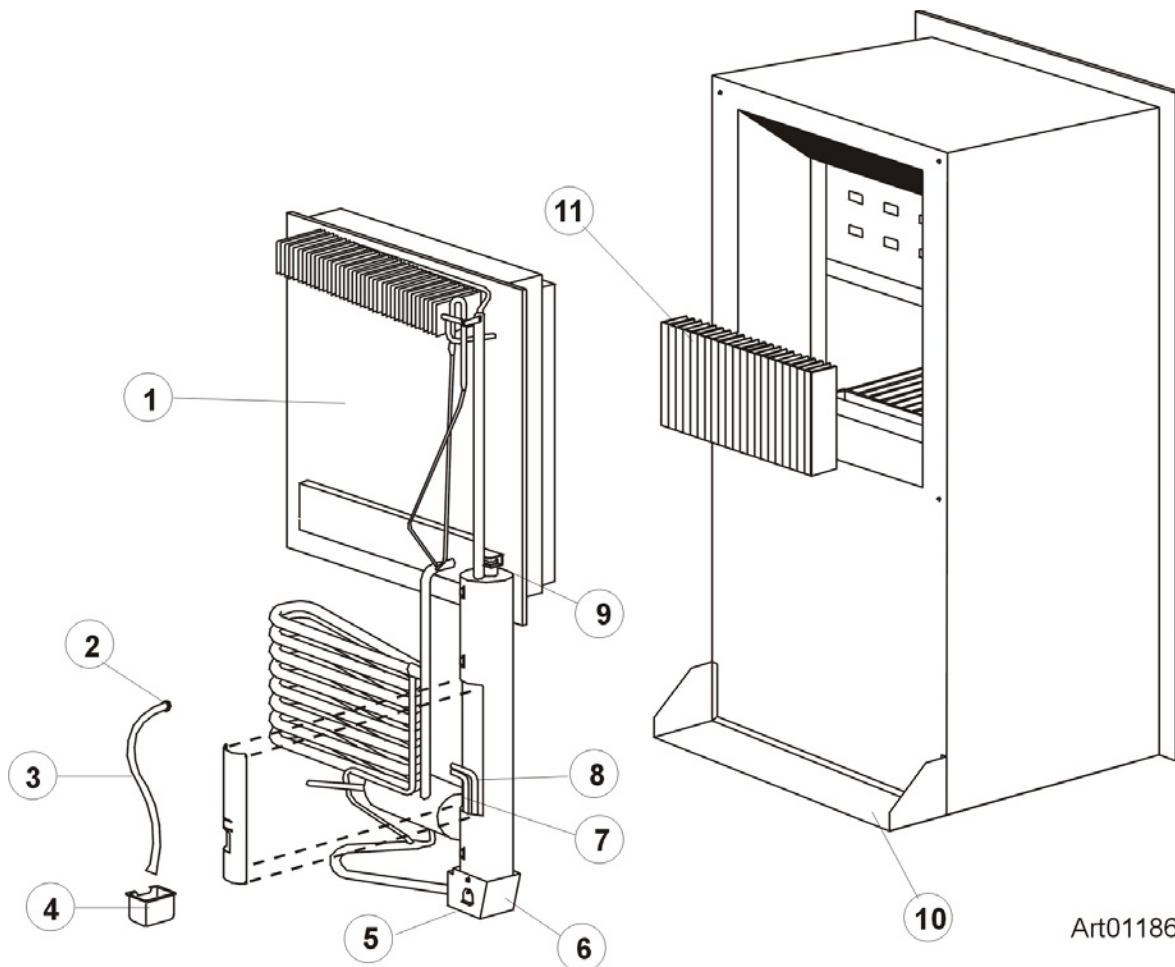
ART01185



## CABINET ASSEMBLY - FRONT VIEW - 9100 SERIES

NO.	PART #	DESCRIPTION	916	918
1	618124	TRIM PIECE-CABINET/TOP/WITHOUT BRASS INSERTS	X	X
	619687	TRIM PIECE ASSY-TOP/WITH INSERTS/BLACK (USE 622319)	X	X
2	618170	HOLE PLUG-FOR TOP TRIM PIECE/BLACK	X	X
3	618171	COVER-HINGE HOLE/WHITE/2 POINT	X	X
	619301	COVER-HINGE HOLE/WHITE/3 POINT	X	X
4	618988	HINGE-CABINET SIDE/FREEZER/SLOTTED/PAINTED	X	X
	619336	HINGE-CABINET/3 POINT/TOP LH/BTM RH/BLACK	X	X
5	618988	HINGE-CABINET SIDE/FREEZER/SLOTTED/PAINTED	X	X
	619335	HINGE-CABINET/3 POINT/TOP RH/BTM LH/BLACK	X	X
6	618133	TRIM PIECE-CABINET/SIDE/6' (USE 622295)	X	
	618134	TRIM PIECE-CABINET/SIDE/8' (USE 622296)		X
7	618620	SHELF-WIRE/FREEZER (USE 620250)	X	X
8	618112	FRONT BOX	X	X
9	618588	CONTROL ASSY-OPTICAL (USE 625386 FOR EG2/625387 FOR EG3)	X	X
10	618176	LOUVER-DRIP TRAY/WHITE (USE 623250)	X	X
11	618137	DRIP TRAY-INSIDE (USE 623250)	X	X
12	618624	SHELF-WIRE/CUT OUT (USE 632450)	X	X
13	618589	SHELF-WIRE/FULL (USE 620273)	2	3
14	618158	CRISPER COVER-GLASS SHELF	X	X
15	618571	CRISPER-WHITE/FULL	X	X
16	618145	HINGE PIN-DOOR	X	X
17	618144	HINGE BUSHING-DOOR HINGE/BLACK	X	X
18	618136	TRIM PIECE-CABINET/BOTTOM (USE 622323)	X	X
19	618181	RETAINER-SHELF	X	X
20	61586722	BRACE-CABINET/BACK	X	X
21	618184	PLUG-FACADE/BLACK	X	X
	619381	HOLE PLUG-DIVIDER/BLACK	X	X
22	618167	STRIKE PLATE-BLACK	X	X
		PART IS NO LONGER AVAILABLE		

# CABINET ASSEMBLY - REAR VIEW - COOLING UNIT AREA - 9100 SERIES

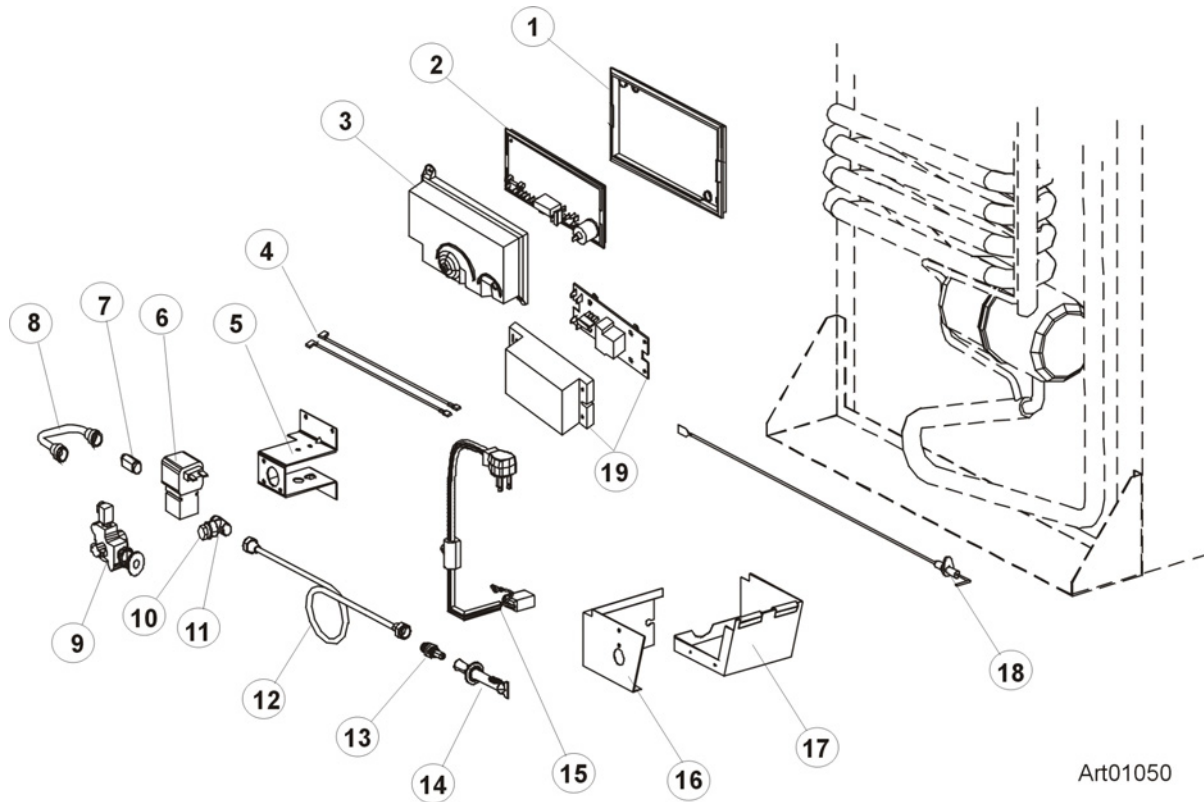


Art01186

NO.	PART #	DESCRIPTION	916	918
1	632307	NSC SYSTEM PACK-COOLING UNIT (BACKER HEATER)	X	
	632314	NSC SYSTEM PACK-COOLING UNIT (BACKER HEATER)		X
NS	618111	BAFFLE DIFFUSER/WIRE ASSY-COOLING UNIT (NOT SHOWN)	X	X
2	61505122	HOSE CLAMP	X	X
3	618217	DRAIN HOSE-26" (USE 622390)	X	
	618242	DRAIN HOSE-32" (USE 622391)		X
4	61710922	DRIP CUP-REAR/METAL (USE 622546)	X	X
5	61712637	COVER ASSY-BURNER BOX	X	X
6	61695322	BASE-BURNER BOX	X	X
7	621702	HEATER-AC (COOLING UNIT SERIAL# 11231023 & BELOW)	X	
		HEATER-AC (COOLING UNIT SERIAL# 11232007 & BELOW)		X
	630811	HEATER-AC/BACKER (COOLING UNIT SERIAL# 11231024 & ABOVE)	X	
		HEATER-AC/BACKER (COOLING UNIT SERIAL# 11232008 & ABOVE)		X
8	626832	HEATER-DC/ (COOLING UNIT SERIAL# 11231023 & BELOW)	EG3	
		HEATER-DC (COOLING UNIT SERIAL# 11232007 & BELOW)		EG3
	630812	HEATER-DC/BACKER (COOLING UNIT SERIAL# 11231024 & ABOVE)	EG3	EG3
		HEATER-DC/BACKER (COOLING UNIT SERIAL# 11232008 & ABOVE)		EG3
9	61695022	CAP-HEAT DEFLECTOR	X	X
10	61586722	BRACE-CABINET/BACK	X	X
11	61686823	FINS	X	X

PART IS NO LONGER AVAILABLE

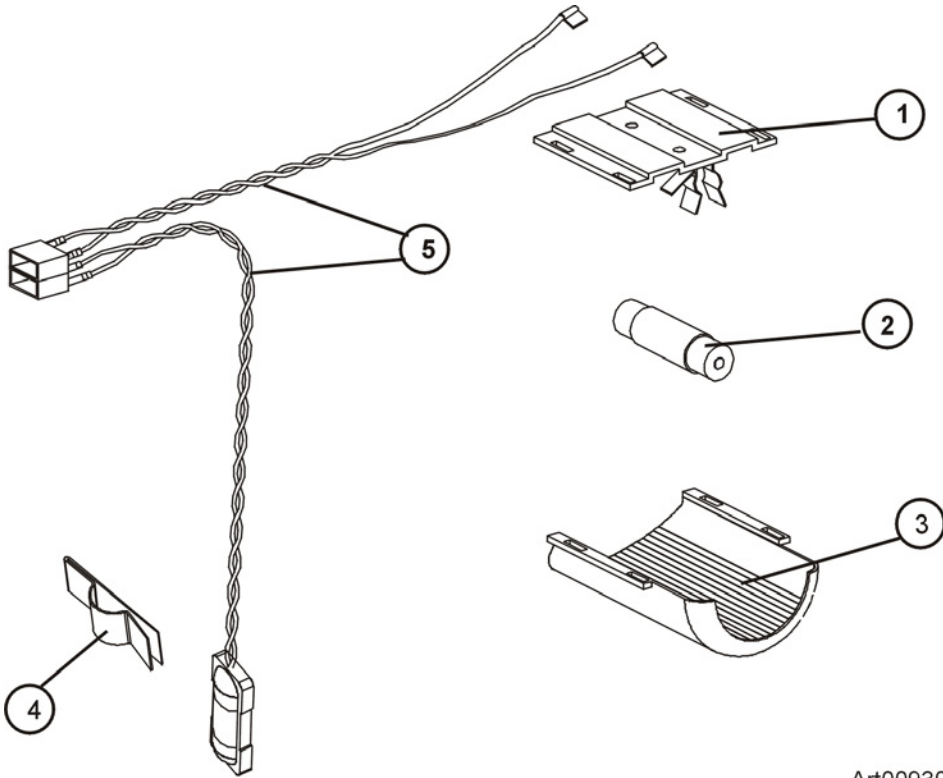
# CONTROLS - REAR VIEW - 9100 SERIES



Art01050

NO.	PART #	DESCRIPTION	916	918
1	618186	BASE-POWER BOARD	X	X
2	618574	POWER BOARD-EG2 (USE 625386)	EG2	EG2
	618575	POWER BOARD-EG3 (USE 625387)	EG3	EG3
3	618185	COVER-POWER SUPPLY	X	X
4	618287	WIRE-WHITE/6"/GAS VALVE (USE 621448)	X	X
5	61694022	BRACKET-MOUNTING/GAS VALVE	X	X
6	61551822	GAS VALVE-ASCO (USE 621444)	X	X
	621444	KIT-GAS VALVE/BURNER TUBE ASSY	X	X
7	61546822	CONNECTOR-MALE (NOT SHOWN)	X	X
8	61694622	UNION TUBE (NOT SHOWN)	X	X
9	61694922	MANUAL SHUT OFF VALVE ASSY-KINCO BALON (USE 621444)	X	X
10	61445322	PLUG-1/8"/FOR PRESSURE TAP	X	X
11	61594422	PRESSURE TAP	X	X
12	618252	BURNER TUBE	X	X
13	618283	ORIFICE-JEWELLED/.015" (USE 621957)	X	
	618284	ORIFICE-JEWELLED/.0155" (USE 621957)		X
14	61705222	BURNER ASSY-5 SLOT (USE 621957)	X	X
15	61554422	CORD-AC POWER/BLACK	X	X
16	61712637	COVER ASSY-BURNER BOX	X	X
17	61695322	BASE-BURNER BOX	X	X
18	61692222	ELECTRODE-SPARK/SENSE/SINGLE ELECTRODE/0.25"	X	X
19	618516	DAUGHTER BOARD-EG3 (NOT SHOWN) (USE 625387)	EG3	EG3
NS	618606	WIRE-EG3/12 VOLT (NOT SHOWN)	EG3	EG3
NS	618602	WIRE-EG3/GROUND (NOT SHOWN)	EG3	EG3
NS	618605	WIRE-EG3/SENSE (NOT SHOWN)	EG3	EG3
		PART IS NO LONGER AVAILABLE		

**INTERIOR LIGHT & THERMISTER ASSEMBLY - 9100 SERIES**



Art00930A

NO.	PART #	DESCRIPTION	916	918
1	61629722	LAMP BRACKET ASSY	X	X
2	632545	LAMP-/DC LIGHT BULB	X	X
3	61627922	COVER-LAMP (USE 621827)	X	X
4	633437	CLIP-THERMISTER MOUNTING/FIN	X	X
5	618548	LAMP THERMISTER WIRE ASSY	X	X

## FAN MODEL PARTS - 9182F

PART #	DESCRIPTION	9182F
618857	BRACKET-DC FAN	F
619016	BRACKET-FAN SUPPORT	F
61417922	CABLE TIE-NYLON	F
618856	FAN-EXTERNAL DC	F
618093	THERMOSTAT-DC FAN/THERMO DISC	F
618950	WIRE MOUNT-ADHESIVE	F
618700	WIRE-BLACK/24"/18 GA	F
619017	WIRE-BLACK/6"/18 GA	F
618701	WIRE-RED/36"/18 GA	F
618978	WIRE-RED/6"/18 GA/12V FAN	F
618699	WIRE-RED/60"/18 GA/WITH FUSE HOLDER	F

---

---

---

---

---

---



# PARTS LIST

## N41 Series

## N51 Series

N410 - N410U  
TAUPE

N510 - N510U  
TAUPE

N410.3 - N410.3U  
TAUPE

N510.3 - N510.3U  
TAUPE

N412 - N412U  
BLACK

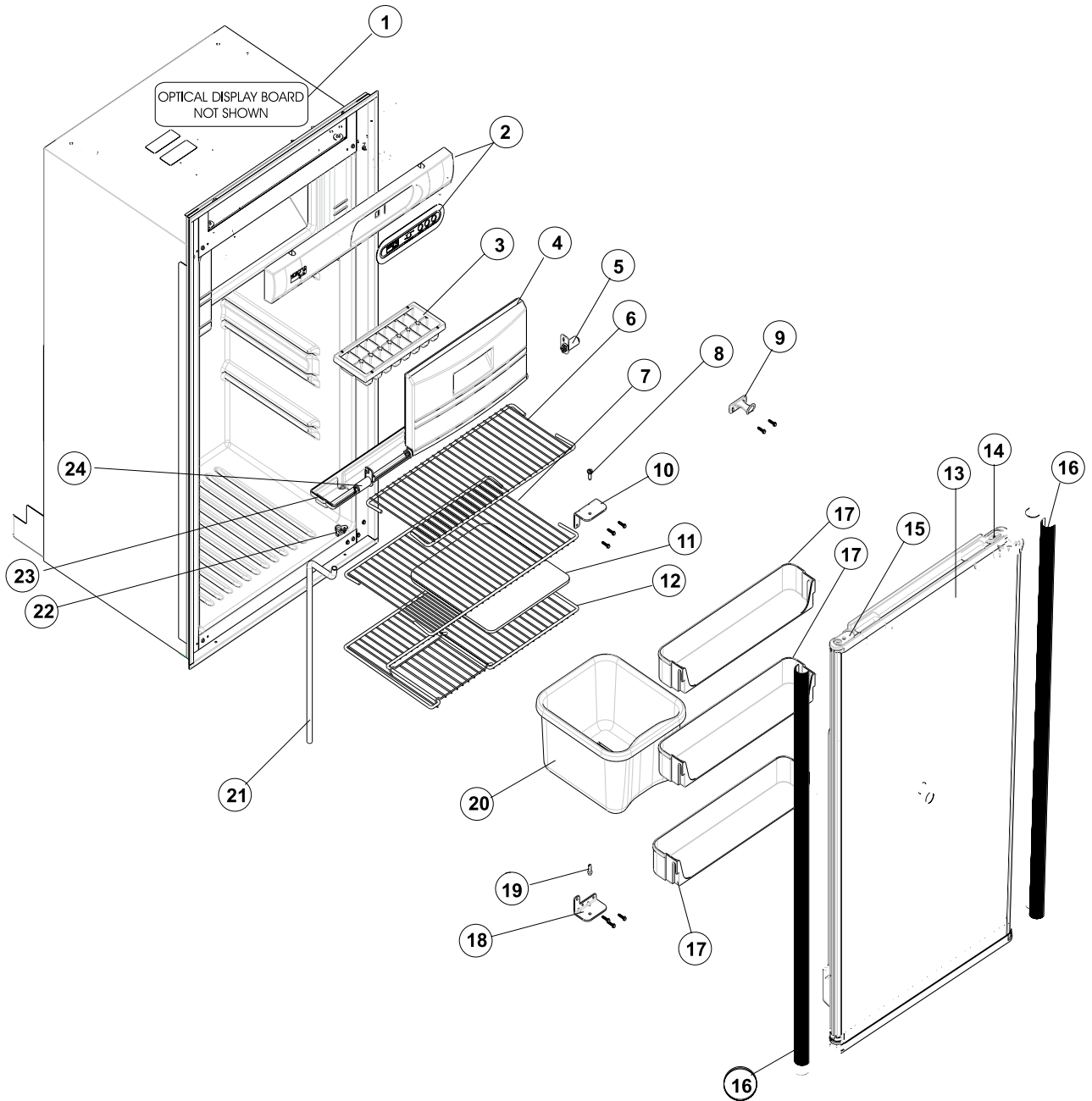
N512 - N512U  
BLACK

N412.3 - N412.3U  
BLACK

N512.3 - N512.3U  
BLACK

Note: "U" After the model have upper travel latches

# CABINET ASSEMBLY - FRONT VIEW - N41/51 SERIES



## CABINET ASSEMBLY - FRONT VIEW - N41/N51 SERIES

NO.	PART #	DESCRIPTION	N410 SERIES	N412 SERIES	N510 SERIES	N512 SERIES
1	633273	KIT-CONTROLS ADAPTER/EG2 (9140558 & BELOW)	X	X	X	X
	633291	KIT-CONTROLS ADAPTER/EG3 (9159955 & BELOW)	X	X	X	X
NS	628663	OPTICAL DISPLAY BOARD (EG2 - 9140559 & ABOVE)(EG3 - 9159956 & ABOVE)	X	X	X	X
2	623885	CONTROL PANEL/OPTICAL OVERLAY ASSY-EG2/TAUPE	X		X	
	623886	CONTROL PANEL/OPTICAL OVERLAY ASSY-EG3/TAUPE	X		X	
	627469	CONTROL PANEL/OPTICAL OVERLAY ASSY-EG2/BLACK		X		X
	627470	CONTROL PANEL/OPTICAL OVERLAY ASSY-EG3/BLACK		X		X
NS	621783	BRACKET-MOUNTING/DISPLAY BOARD	X	X	X	X
3	61630422	ICE CUBE TRAY-PLASTIC (1 PER REFRIGERATOR)	X	X	X	X
4	619117	EVAPORATOR DOOR ASSY	X	X	X	X
NS	61633030	MOUNTING CLIP-LH/WHITE/EVAPORATOR DOOR	X	X	X	X
NS	61632930	MOUNTING CLIP-RH/WHITE/EVAPORATOR DOOR	X	X	X	X
5	619041	SPRING HOLDER ASSY-RH/EVAP DOOR/SILVER SPRING	X	X	X	X
6	620156	SHELF-WIRE/UPPER/SHORT (USE 632442)	X	X	X	X
	632442	SHELF-WIRE/UPPER/SHORT	X	X	X	X
7	620155	SHELF-WIRE/MIDDLE (N51 ONLY) (S/N 18721782 AND BELOW)			X	X
	632441	SHELF-WIRE/MIDDLE (N51 ONLY) (S/N 18721783 AND ABOVE)			X	X
8	61114600	HINGE PIN-TOP (USE 638630)	X		X	
	638630	KIT SERVICE UPPER HINGE PIN REPLACEMENT	X		X	
	623899	HINGE PIN-TOP (USE 638780)		X		X
	638780	KIT SERVICE UPPER HINGE PIN REPLACEMENT		X		X
9	619103	LATCH-DOOR/TAUPE ( USE 638724)	X		X	
	638724	KIT SERVICE DOOR LATCH REPLACEMENT	X		X	
	627677	LATCH-DOOR/BLACK (USE 638583)		X		X
	638583	KIT SERVICE DOOR LATCH REPLACEMENT		X		X
10	620188	HINGE-CABINET/UPPER LH/LOWER RH/TAUPE	X		X	
	626729	HINGE-CABINET/UPPER LH/LOWER RH/BLACK		X		X
11	621412	COVER-CRISPER (N51 ONLY)			X	X
12	620178	SHELF-WIRE/LOWER/FLIPPER (S/N 18721782 AND BELOW)	X	X	X	X
	632443	SHELF-WIRE/LOWER/FLIPPER (S/N 18721783 AND ABOVE)	X	X	X	X
NS	618065	CAP-CLEAR/FLIPPER SHELF	X	X	X	X
13	620164	DOOR ASSY-CABINET/TAUPE (USE 638811)	X			
	638811	KIT SERVICE DOOR ASSY REPLACEMENT	X			
	627465	DOOR ASSY-CABINET/BLACK (USE 638812)		X		
	638812	KIT SERVICE DOOR ASSY REPLACEMENT		X		
	620125	DOOR ASSY-CABINET/TAUPE (USE 638813)			X	
	638813	KIT SERVICE DOOR ASSY REPLACEMENT			X	
	627472	DOOR ASSY-CABINET/BLACK (USE 638814)				X
14	619104	LATCH PLATE-DOOR/TAUPE (USE 638725)	X		X	
	638725	KIT SERVICE DOOR LATCH PLATE REPLACEMENT	X		X	
	627571	LATCH PLATE-DOOR/BLACK (USE 638579)		X		X



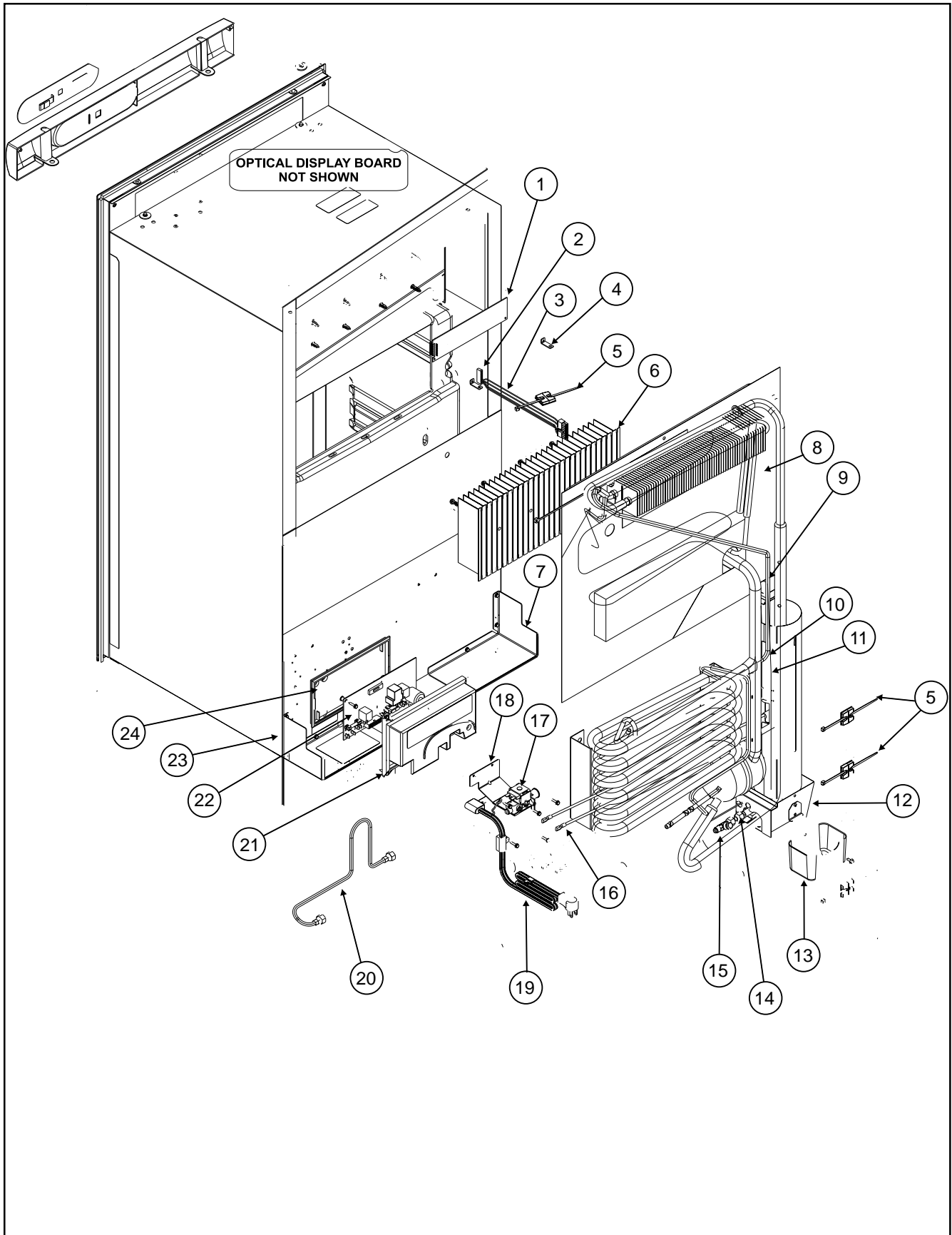
## CABINET ASSEMBLY - FRONT VIEW - N41/N51 SERIES

15	620200	PLATE-FILLER/DOOR ASSY/TAUPE	X		X	
	627572	PLATE-FILLER/DOOR ASSY/BLACK (USE638581)		X		X
	638581	KIT SERVICE DOOR FILLER PLATE		X		X
16	620167	PANEL RETAINER-TAUPE	X			
	626725	PANEL RETAINER-BLACK		X		
	620130	PANEL RETAINER-BEIGE			X	
	626735	PANEL RETAINER-BLACK				X
17	624863	BIN-DOOR SHELF (2 PER N41/3 PER N51)	2	2	3	3
18	620187	HINGE-CABINET/UPPER RH/LOWER LH/TAUPE	X		X	
	626728	HINGE-CABINET/UPPER RH/LOWER LH/BLACK		X		X
19	61550722	HINGE PIN-BOTTOM (USE 638636)	X	X	X	X
	638636	KIT SERVICE LWR HINE PIN REPLACEMENT	X	X	X	X
20	621309	BIN-CRISPER (N51 ONLY)			X	X
21	622394	DRAIN HOSE ASSY	X	X		
	622393	DRAIN HOSE ASSY			X	X
NS	622857	KIT-DRAIN HOSE REPAIR	X	X	X	X
22	61409622	CLIP-SHELF (2 PER REFRIGERATOR)	X	X	X	X
	623121	CLIP-SHELF (2 PER REFRIGERATOR)	X	X	X	X
23	622858	DRIP TRAY-INSIDE	X	X	X	X
NS	622754	PLUG-DRIP TRAY/WHITE (USE WITH 622858)	X	X	X	X
24	619042	SPRING HOLDER ASSY-LH/EVAP DOOR/YELLOW SPRING	X	X	X	X
NS	621426	BREAKER TRIM/SEAL ASSY-BOTTOM TRIM/TAUPE	X		X	
	627467	BREAKER TRIM/SEAL ASSY-BOTTOM TRIM/BLACK		X		X
NS	626726	BREAKER TRIM/PANEL, BLK	X	X	X	X
NS	620464	INSTALLATION PACK ASSY-BTM BREAKER/SCREW/TAUPE	X		X	
	627466	INSTALLATION PACK ASSY-BTM BREAKER/SCREW/BLACK		X		X

NS = NOT SHOWN

 PART IS NO LONGER AVAILABLE

# CABINET ASSEMBLY - REAR VIEW - N41/N51 SERIES



## CABINET ASSEMBLY - REAR VIEW - N41/N51 SERIES

NO.	PART #	DESCRIPTION	N410 SERIES	N412 SERIES	N510 SERIES	N512 SERIES
1	622261	COVER-REAR/OPTICAL DISPLAY	X	X	X	X
2	633734	CLIP-THERMISTER MOUNTING/FIN	X	X	X	X
3	621785	THERMISTER (EG2 - 9140558 & BELOW)(EG3 - 9159955 & BELOW)	X	X	X	X
	628760	THERMISTER (EG2 - 9140559 & ABOVE)(EG3 - 9159956 & ABOVE)	X	X	X	X
4	621237	SPACER-CONDENSER/FOR COOLING UNIT	X	X	X	X
5	618950	WIRE MOUNT-ADHESIVE	X	X	X	X
6	61686823	FINS	X	X	X	X
7	619124	BRACE-CORNER/CABINET/RH	X	X	X	X
8	632294	NSC SYSTEM PACK-COOLING UNIT (BACKER HEATER)	X	X		
	632299	NSC SYSTEM PACK-COOLING UNIT (BACKER HEATER)			X	X
NS	61679022	BAFFLE DIFFUSER-SPIRAL FLAME SPREADER	X	X	X	X
NS	61632010	WIRE-BAFFLE DIFFUSER/FORMED	X	X	X	X
9	61695022	CAP-HEAT DEFLECTOR	X	X	X	X
10	61562522	HEATER-AC/200W/110VAC	X	X	X	X
	630804	HEATER-AC/200W/110VAC (FOR COOLING UNIT WITH BACKER HEATER)	X	X	X	X
11	620884	HEATER-DC/EG3		EG3		EG3
	630810	HEATER-DC/EG3 (FOR COOLING UNIT WITH BACKER HEATER)		EG3		EG3
12	61712637	COVER ASSY-BURNER BOX	X	X	X	X
NS	61695322	BASE-BURNER BOX (NOT SHOWN)	X	X	X	X
13	622546	DRIP CUP-REAR/PLASTIC	X	X	X	X
14	621955	KIT-BURNER/ORIFICE ADAPTER ASSY	X	X	X	X
15	621173	PRESSURE TAP/SWIVEL CONNECTOR ASSY			OM	OM
NS	621086	PRESSURE TAP TEE ASSY-WITH PLUG (PARTS OF 621173)			OM	OM
NS	61445322	PLUG-1/8"/FOR PRESSURE TAP			OM	OM
NS	621079	CONNECTOR-SWIVEL NUT			OM	OM
NS	61692222	ELECTRODE-SPARK/SENSE(USE 638097)	X	X	X	X
	638097	KIT SERVICE SPARK SENSE ELECTRODE REPLACEMENT	X	X	X	X

## CABINET ASSEMBLY - REAR VIEW - N41/N51 SERIES

16	621448	WIRE-WHITE/9"/GAS VALVE (EG2 - 9140558 & BELOW)(EG3 - 9159955 & BELOW)	NOTE	NOTE	NOTE	NOTE
17	633726	GAS VALVE (EG2 - 9140559 & ABOVE)(EG3 - 9159956 & ABOVE)	X	X	X	X
	628995	GAS VALVE/BRACKET ASSY (EG2 - 9140558 & BELOW)(EG3 - 9159955 & BELOW)	X	X	X	X
18	624685	BRACKET-MOUNTING/GAS VALVE (EG2-9140558 & BELOW)(EG3-9159955 & BELOW)	X	X	X	X
	628994	BRACKET-MOUNTING/GAS VALVE (EG2-9140559 & ABOVE)(EG3-9159956 & ABOVE)	X	X	X	X
19	61554422	CORD-AC POWER/BLACK	X	X	X	X
20	626672	BURNER TUBE	X	X	X	X
NS	624684	BURNER TUBE (MODELS WITH PRESSURE TAP)			OM	
21	618185	COVER-POWER SUPPLY (EG2 - 9140558 & BELOW)(EG3 - 9159955 & BELOW)	X	X	X	X
	628677	COVER-POWER SUPPLY (EG2 - 9140559 & ABOVE)	X	X	X	X
	628678	COVER-POWER SUPPLY (EG3 - 9159956 & ABOVE)	X	X	X	X
22	632168001	KIT-POWER BOARD (EG2 - 9140558 & BELOW)	EG2	EG2	EG2	EG2
	621268001	KIT-POWER BOARD (EG3 - 9159955 & BELOW)	EG3	EG3	EG3	EG3
	628661	POWER BOARD (EG2 - 9140559 & ABOVE)(EG3 - 9159956 & ABOVE)	X	X	X	X
NS	628669	DC BOARD (EG3 - 9159956 & ABOVE) (USE 637764)	EG3	EG3	EG3	EG3
	637764	KIT SERVICE DC POWER BOARD REPLACEMENT	EG3	EG3	EG3	EG3
23	619119	BRACE-CORNER/CABINET/LH	X	X	X	X
24	618186	BASE-POWER BOARD (EG2 - 9140558 & BELOW)(EG3 - 9159955 & BELOW)	X	X	X	X
	628674	BASE-POWER BOARD (EG2 - 9140559 & ABOVE)	X	X	X	X
	628675	BASE-POWER BOARD (EG3 - 9159956 & ABOVE)	X	X	X	X
NS	621780	WIRING HARNESS (EG2 - 9140558 & BELOW)(EG3 - 9159955 & BELOW)	X	X	X	X
	628761	WIRING HARNESS (EG2 - 9140559 & ABOVE)(EG3 - 9159956 & ABOVE)	X	X	X	X
NS	628763	WIRE-INPUT/RED (DC/DEFROST BOARD TO POWER BOARD ( 9159956 & ABOVE)	EG3	EG3	EG3	EG3
NS	628764	WIRE-INPUT/BLACK (DC/DEFROST BOARD TO POWER BOARD ( 9159956 & ABOVE)	EG3	EG3	EG3	EG3

NS = NOT SHOWN

OM = OLDER MODELS WITH PRESSURE TAP

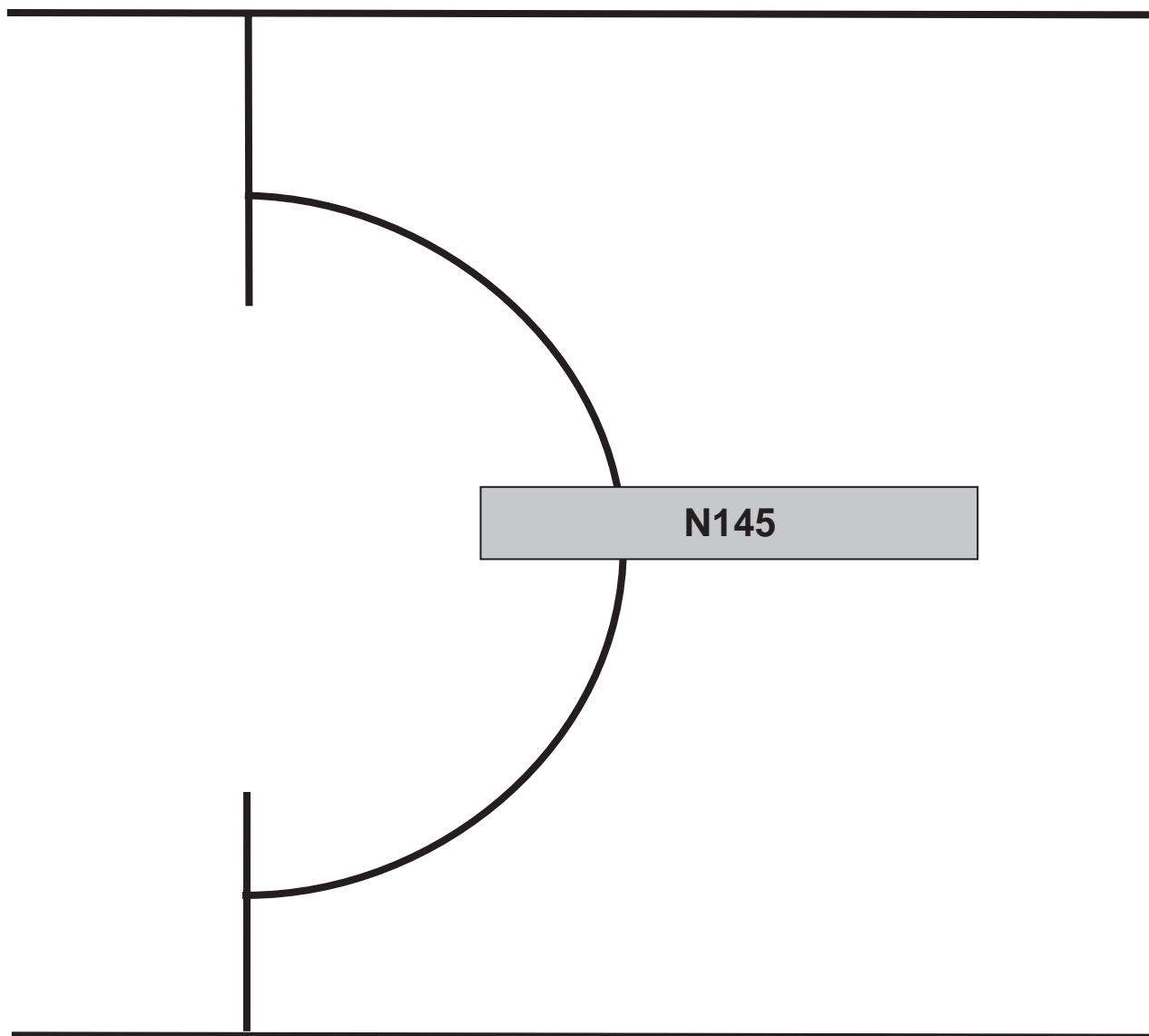
NOTE: 621448 IS A PART OF THE WIRING HARNESS ON (EG2 - 9140558 & BELOW)(EG3 - 9159955 & BELOW)

## FAN MODEL COMPONENTS - N41/N51 SERIES

PART #	DESCRIPTION	N412.3F
618403	BRACKET-DC FAN	1
61417922	CABLE TIE-NYLON	2
618073	FAN-EXTERNAL DC (USE 637881)	1
637881	FAN-EXTERNAL DC	1
618093	THERMOSTAT-DC FAN	1
629882	WIRE ASSY	1
635955	WIRE-12" BLACK	1
621943	WIRE-60" RED	1
628758	WIRE-AUXILLARY/OUTPUT/BLACK	1
628759	WIRE-AUXILLARY/OUTPUT/RED	1
	NO LONGER AVAILABLE	



# PARTS LIST

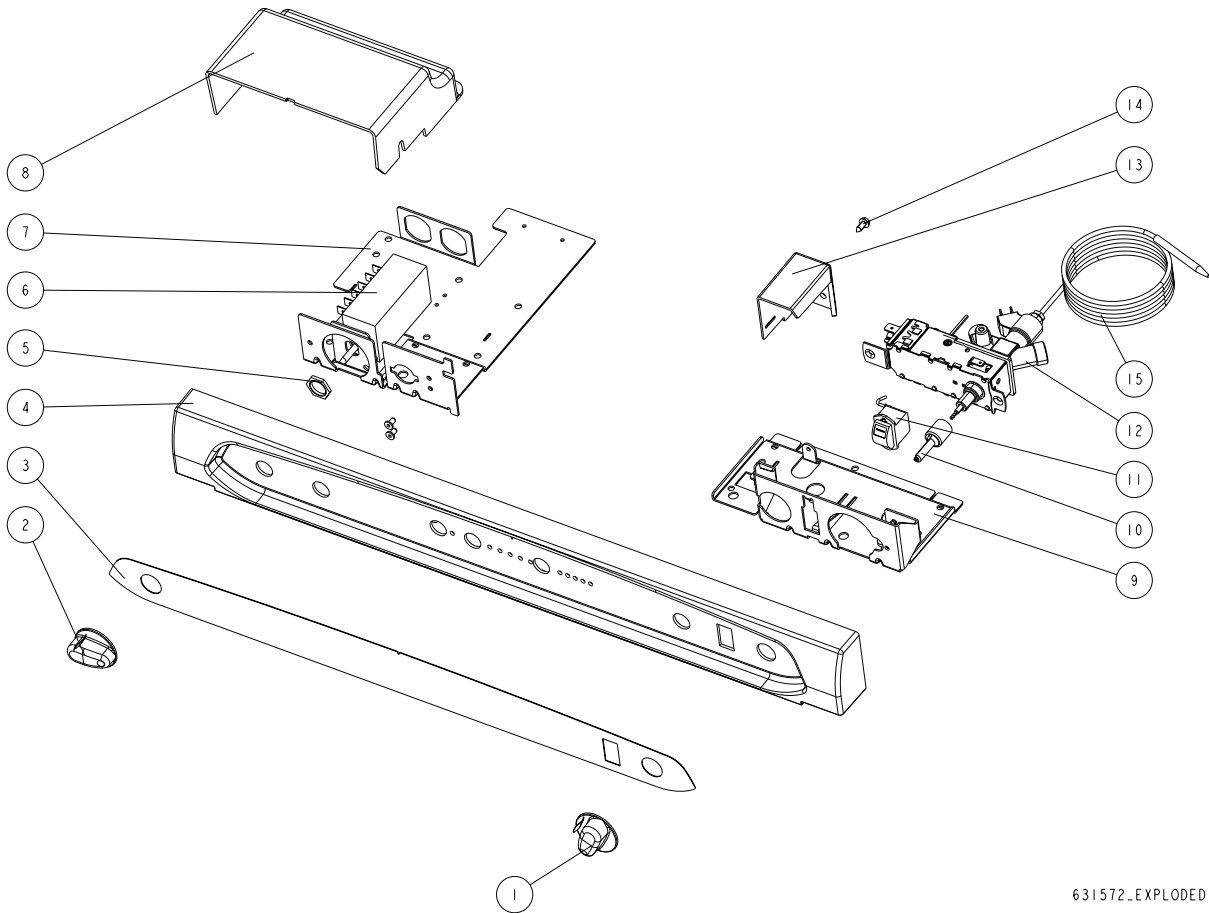


Part No. 634102  
NORCOLD 06/03/2013

# Controls - N145

NO.	PART #	DESCRIPTION
1	623026-27	CONTROL KNOB
2	625682-07	CONTROL KNOB
3	626621	OVERLAY-ELECTRIC
4	627002-07	CONTROL PANEL
5	NA	NUT
6	626999	SELECTOR SWITCH-6P
7	NA	BRACKET-PIEZO/SWITCH
8	NA	CONTROL COVER
9	NA	BRACKET
10	NA	AXLE
11	623029	FLAME METER
12	625688-07	GAS VALVE
13	N/A	AC COVER
14	N/A	SCREW
15	631753	THERMOCOUPLE

NA = NOT AVAILABLE



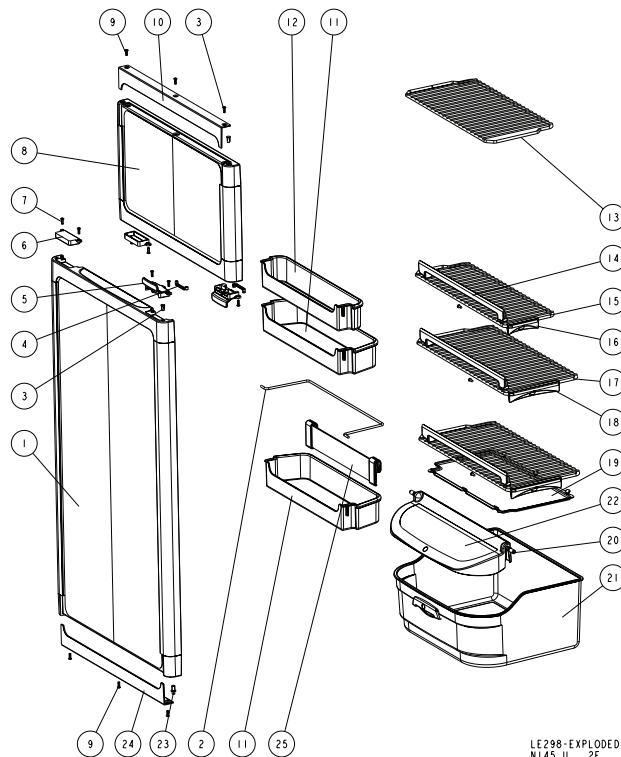
631572\_EXPLODED

# Door and Cabinet Interior - N145

NO.	PART #	DESCRIPTION
1	625095-07	DOOR-FLAT, DOUBLE, CABINET (USE 628158R)
	628158R	DOOR-FLAT, DOUBLE, CABINET
2	NA	BOTTLE RETAINER
3	NA	HINGE HOLE PLUG
4	626986-07	STORAGE STRAP V2
5	626985-07	LATCH V2
6	NA	POCKET COVER
7	NA	SCREW
8	625094-07	DOOR-FLAT, DOUBLE, FREEZER (USE 628159R)
	628159R	DOOR-FLAT, DOUBLE, FREEZER
9	NA	SCREW
10	NA	PANEL RETAINER
11	624023-08	DOOR BIN
12	623040-08	DOOR BIN
13	623633-08	SHELF
14	624456-08	SHELF-FOOD RETAINER
15	631755-08	SHELF
16	62362608	CLIP-SHELF, SMALL
17	631756-08	SHELF
18	62362508	CLIP-SHELF, LARGE
19	623636-12	SHELF TRAY INSERT
20	NA	HINGE PIN
21	623619	VEGETABLE BIN
22	623616	FLIP TOP COVER
23	NA	BOTTOM LATCH PIN
24	NA	PANEL RETAINER
25	NA	BOTTLE RETAINER

PART IS NO LONGER AVAILABLE

NA = NOT AVAILABLE

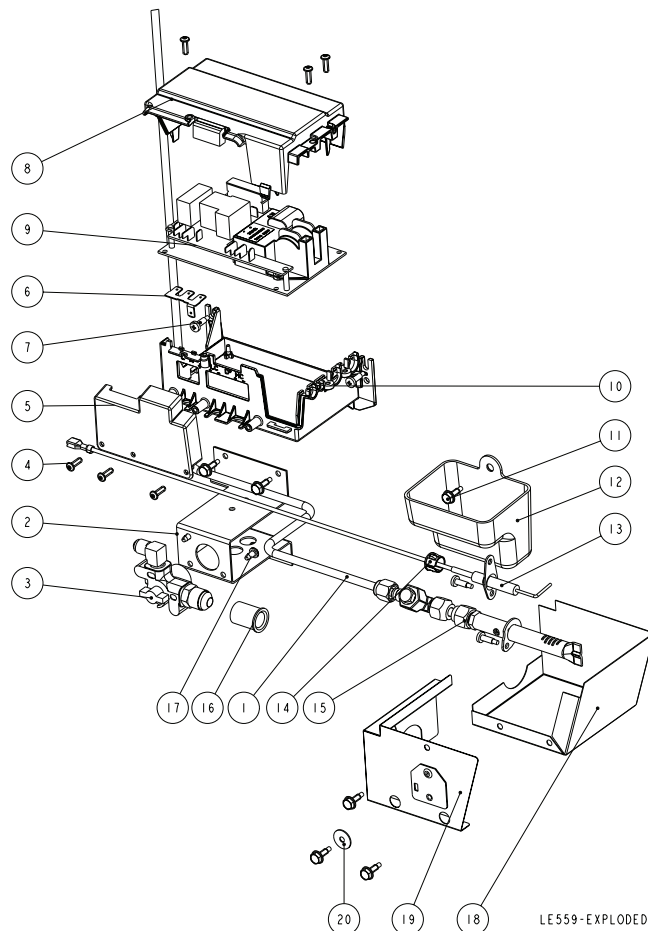




# Power Board and Gas Assy - N145

NO.	PART #	DESCRIPTION
1	631564	GAS TUBE
2	61694022	BRACKET
3	631582	MANUAL SHUT OFF
4	NA	SCREW
5	626709	STRAIN RELIEF COVER
6	NA	EARTH CONNECTION
7	NA	SCREW
8	626704	POWER BOARD COVER
9	631562	POWER CONNECTION BOARD
10	626697	POWER BOARD BASE
11	NA	SCREW
12	619996	DRIP CUP
13	624399	SPARK ELECTRODE
14	622195	BUSHING
15	631605	GAS SYSTEM ASSY
16	NA	PLUG
17	NA	SCREW
18	621912	BURNER BOX BASE
19	622178	BURNER BOX COVER
20	NA	WASHER

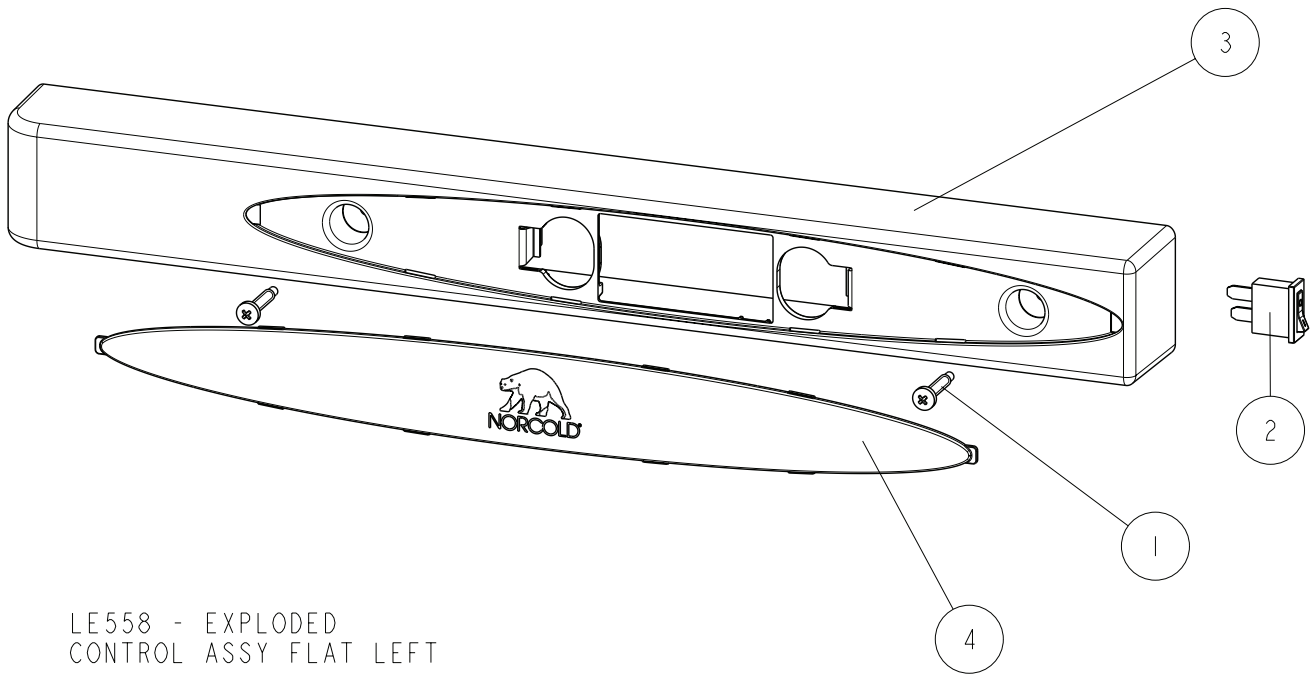
NA = NOT AVAILABLE



# Controls - N145

NO.	PART #	DESCRIPTION
1	NA	SCREW
2	NA	SWITCH
3	626974-07	CONTROL PANEL-LCD FLAT
4	631754	OVERLAY

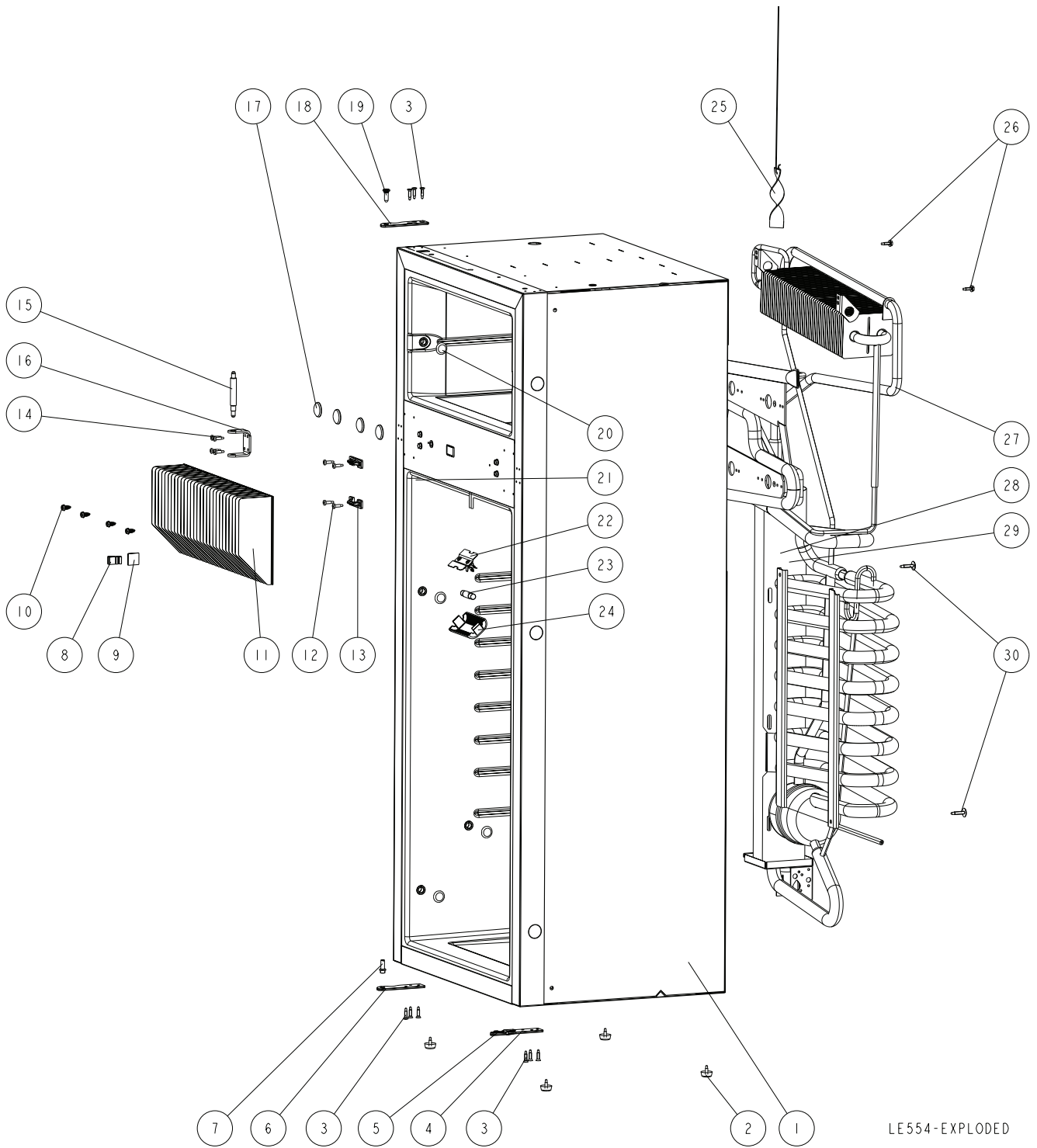
NA = NOT AVAILABLE



## Cabinet and Cooling Unit - N145

NO.	PART #	DESCRIPTION
1	NA	CABINET
2	NA	FOOT
3	NA	SCREW
4	NA	BOTTOM LATCH PLATE
5	62400127	LATCH BOTTOM
6	NA	HINGE PLATE
7	NA	HINGE PIN - BOTTOM / WASHER
8	623059	FIN CLIP
9	631759	DISTANCE KEEPER
10	NA	SCREW
11	NA	FIN ASSEMBLY
12	NA	SCREW
13	NA	STRIKE PLATE
14	NA	SCREW
15	NA	HINGE CENTER PIN
16	NA	HINGE CENTER BRACKET
17	62447908	CAP FREEZER BOLT
18	NA	HINGE PLATE
19	NA	HINGE PIN TOP / WASHER
20	62362208	CAP
21	623061	INTERIOR LIGHT SWITCH
22	NA	LIGHT BRACKET
23	624003	INTERIOR LIGHT BULB
24	624002	INTERIOR LIGHT COVER
25	NA	HEAT DIFFUSER
26	NA	SCREW
27	NA	COOLING UNIT
28	631560	HEATER-AC (S/N E280H0043 AND BEFORE)
	632409	HEATER-AC (S/N E280H0044 AND AFTER)
29	632246	HEATER-DC (S/N E280H0043 AND BEFORE)
	632408	HEATER-DC (S/N E280H0044 AND AFTER)
30	NA	SCREW

NA = NOT AVAILABLE



LE554-EXPLODED

**NORCOLD<sup>®</sup>**



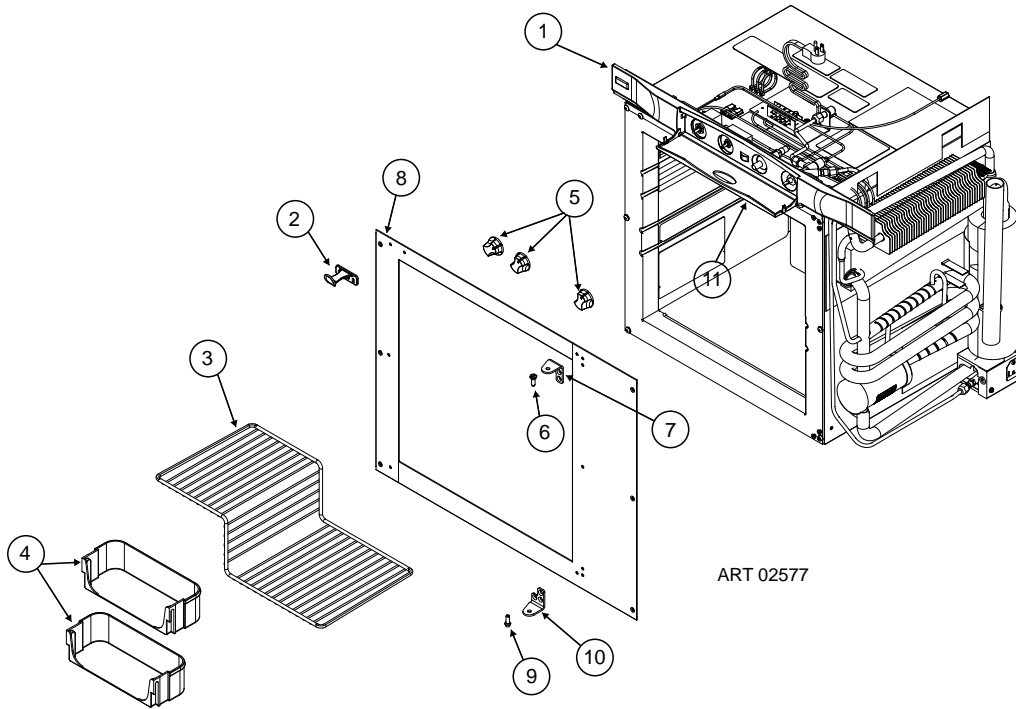
# PARTS LIST

## N180 SERIES

**N180.3**

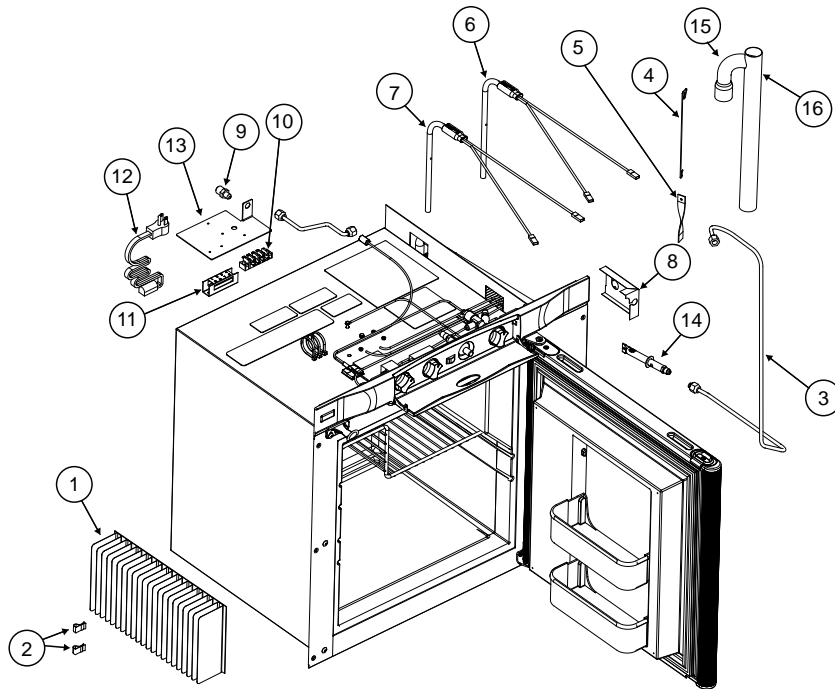
**PART NO. 638718  
NORCOLD 5/18/2017**

# CABINET AREA (FRONT VIEW) - N180 SERIES



No.	Part #	Description	N180.3
1	636252	CONTROL PANEL ASSY	X
2	627677	LATCH- DOOR /BLACK (USE 638583)	X
	638583	KIT SERVICE DOOR LATCH REPLACMENT	X
3	636017	SHELF-WIRE	X
4	619242	BIN-DOOR	X
5	636150	KNOB CONTROL	X
6	623899	HINGE PIN TOP (USE 638780)	X
	638780	KIT SERVICE UPPER HINGE PIN REPLACEMENT	X
7	638286	HINGE-CABINET/ UPPER RH/BLACK (USE 638613)	X
	638613	KIT SERVICE CAB HINGE UR/LL REPLACEMENT	X
8	636072	BREAKER- CABINET ASSY/BLACK	X
9	61550722	HINGE PIN -BOTTOM	X
10	638287	HINGE-CABINET/LOWER RH/BLACK (USE 638614)	X
	638614	KIT SERVICE CAB HINGE UL/LR REPLACEMENT	X
11	636142	CONTROL DOOR-BLACK (USE 638595)	X
	638595	KIT SERVICE CONTROL DOOR REPLACEMENT	X
		NO LONGER AVAILABLE	

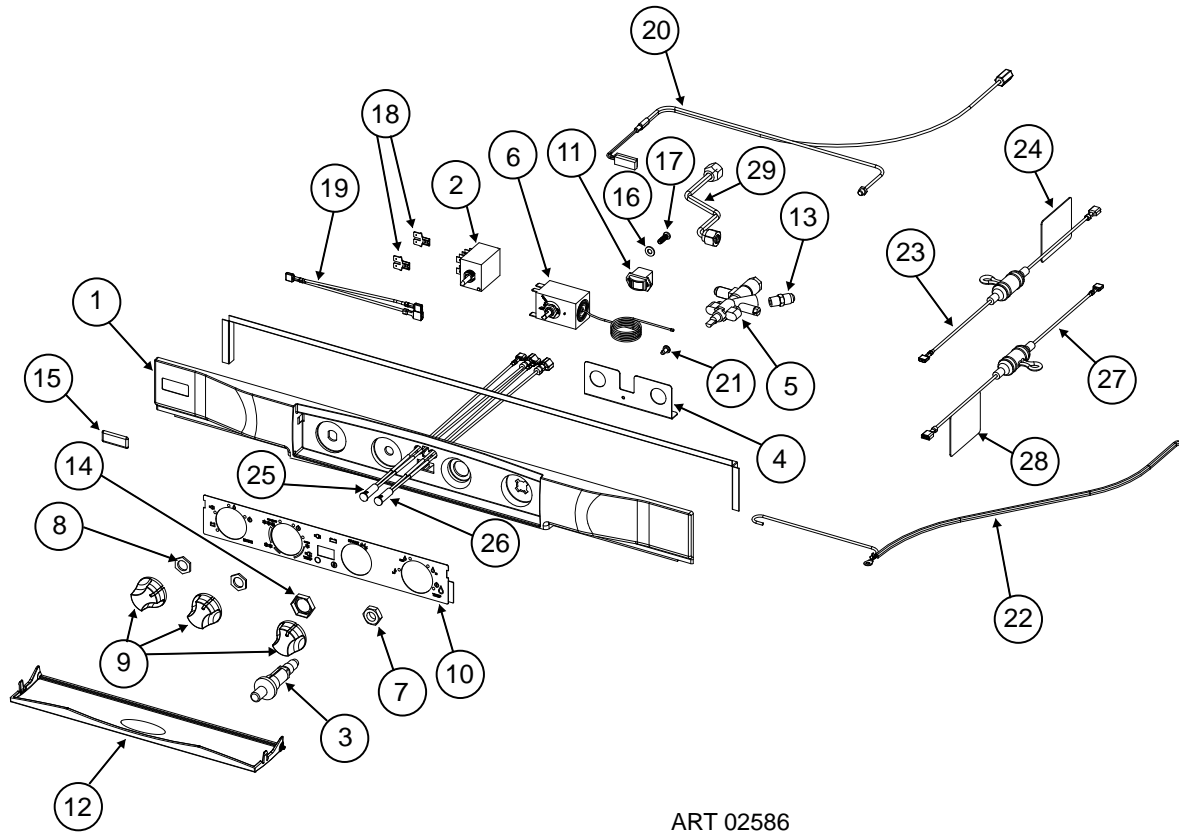
# CABINET ASSEMBLY - SIDE VIEW N180 SERIES



ART 02576

No.	Part #	Description	N180.3
1	638387	FIN ASSY (USE 638622)	X
	638622	KIT SERVICE FIN ASSY REPLACEMENT	X
2	61728722	CLIP-FIN	X
3	636212	BURNER TUBE (USE 638599)	X
	638599	KIT-SERVICE GAS VALVE BURNER TUBE REPLACEMENT	X
4	638624	KIT-SERVICE FLU BAFFLE WIRE	X
5	638569	KIT-SERVICE FLU BAFFLE	X
6	630806	HEATER-DC/EG3/BACKER (USE 638748)	X
	638748	KIT SERVICE DC HEATER REPLACEMENT	X
7	630805	HEATER-AC/BACKER(USE 638747)	X
	638747	KIT SERVICE DC HEATER REPLACEMENT	X
8	638458	BURNER BOX COVER ASSY	X
9	636367	UNION REDUCER	X
10	636481	TEMINAL BLOCK	X
11	619177	TERMINAL BLOCK COVER	X
12	617918	AC POWER CORD	X
13	638459	TOP BRACKET	X
14	636114	BURNER ASSY	X
15	61754922	FLUE CAP HEAT CAP	X
16	61755022	TUBE EXHAUST EXTENSION	X
		NO LONGER AVAILABLE	

# CONTROL PANEL ASSEMBLY AREA - N180 SERIES



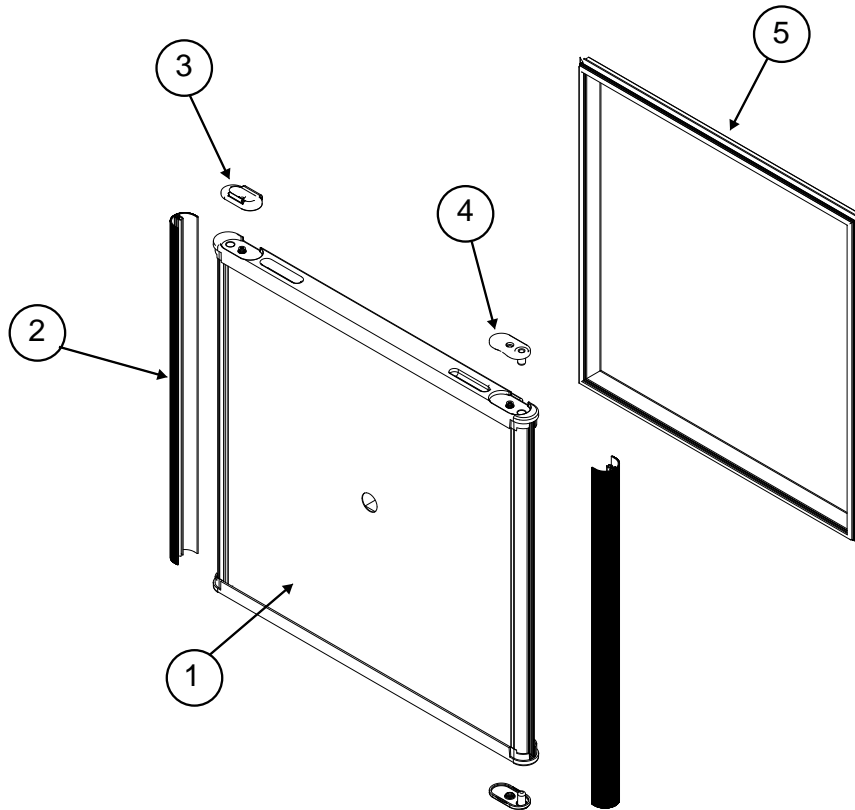
ART 02586



## CONTROL PANEL ASSEMBLY AREA - N180 SERIES

No.	Part #	Description	N180.3
	636252	CONTROL PANEL ASSY (USE 638601)	X
	638601	KIT SERVICE CONTROL PANEL REPLACEMENT	X
1	636135	CONTROL PANEL (USE 638593)	X
	638593	KIT SERVICE CONTROL PANEL REPLACEMENT	X
2	638575	KIT-SERVICE SELECTOR SWITCH	X
3	638585	KIT-SERVICE SPARK IGNITOR	X
4	636259	BRACKET-GROUNDING (USE 638603)	X
	638603	KIT-SERVICE GROUND BRACKET REPLACEMENT	X
5	635690	VALVE-GAS-COPRECI (USE 638587)	X
	638587	KIT GAS VALVE REPLACEMENT	X
6	636495	THERMOSTAT (USE 638609)	X
	638609	KIT-SERVICE THERMOSTAT REPLACEMENT	X
7	636356	NUT M12-1 HEX	X
8	621308	HEX NUT-M12	X
9	636150	KNOB CONTROL	X
10	636490	GRAPHICS-3WAY, BLACK	X
11	61481322	METER-FLAME INDICATOR (USE 638632)	X
	638632	KIT SERVICE FLAME METER REPLACEMENT	X
12	636142	CONTROL DOOR- BLACK	X
13	61546822	MALE CONNECTOR (USE 638634)	X
	638634	KIT SERVICE MALE CONNECTOR REPLACEMENT	X
14	623972	SPEED NUT M18-1.5	X
15	636759	LOGO PLATE-SELF-ADHESIVE	X
16	638565	WASHER, POLY M5	X
17	624809	SCREW-#8-16 x 5/8-PAN-BLACK	X
18	638571	KIT-SERVICE TAB ADAPTER	X
19	636382	WIRE-18AWG BLACK	X
20	636348	THERMOCOUPLE EXTENSION	X
21	61633330	SCREW-#8-32 x 3/8 BLACK	X
22	638477	WIRING HARNESS (USE 638628)	X
	638628	KIT SERVICE WIRE HARNESS REPLACE	X
23	636281	WIRE-FUSED BLK 3 AMP	X
24	619074	LABEL-FUSE/3AMP	X
25	636081	INDICATOR LIGHT-AC (USE 638591)	X
	638591	KIT SERVICE AC POWER INDICATOR LIGHT	X
26	636168	INDICATOR LIGHT-DC (USE 638840)	X
	638840	KIT SERVICE DC PWR INDICATOR LIGHT REPLACEMENT	X
27	636282	WIRE-FUSED RED 20 AMP	X
28	619067	LABEL-FUSE/2 AMP	X
29	638597	KIT-SERVICE GAS INLET TUBE	X
		NO LONGER AVAILABLE	

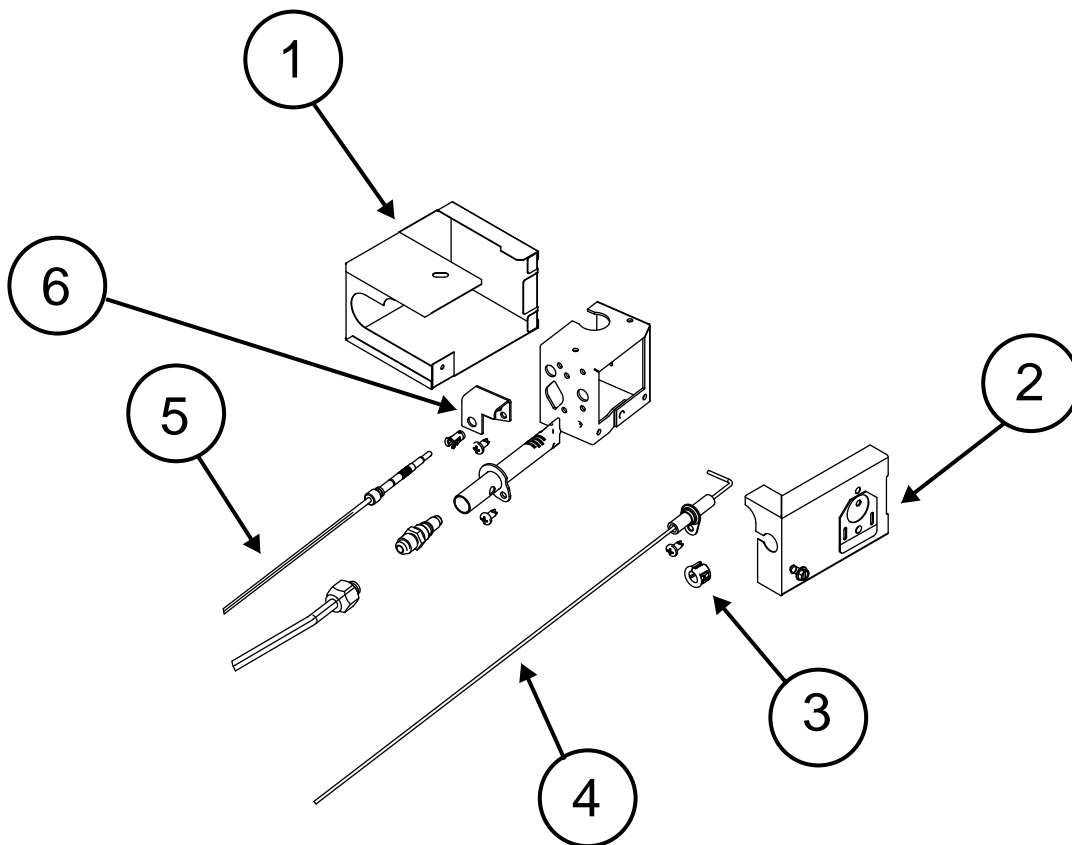
# DOOR ASSEMBLY - N180 SERIES



ART 02575

No.	Part #	Description	N180.3
1	638298	DOOR ASSY-CABINET BLACK (USE 638616)	X
	638616	KIT SERVICE DOOR ASSY REPLACEMENT	X
2	638274	PANEL RETAINER-BLACK	X
3	627571	LATCH PLATE-DOOR/BLACK (USE 638579)	X
	638579	KIT SERVICE DOOR LATCH PLATE REPLACEMENT	X
4	638581	KIT-SERVICE DOOR FILLER PLATE-BLK	X
	638726	KIT-SERVICE DOOR FILLER PLATE-BEIGE	X
5	624119	DOOR GASKET (USE 638577)	X
	638641	Door Gasket BLK (USE 638577)	X
	638577	KIT SERVICE DOOR GASKET REPLACEMENT	X
NS	638581	KIT SERVICE DOOR FILLER PLATE	X
		NO LONGER AVAILABLE	

# BURNER ASSEMBLY AREA - N180 SERIES



ART 02578

No.	Part #	Description	N180.3
1	638350	BASE-BURNER BOX (USE 638620)	X
	638620	KIT SERVICE BURNER BOX BASE	X
2	638458	BURNER BOX COVER ASSY(USE 638626)	X
	638626	KIT SERVICE BURNER COVER REPLACEMENT	X
3	61606522	BUSHING- OPEN/ CLOSED 1/2"	X
4	638573	KIT-SERVICE SPARK ELECTRODE	X
5	638605	KIT-SERVICE THERMOCOUPLE	X
6	638348	BRACKET-THERMOCOUPLE	X
NS	638756	KIT-SERVICE BURNER ORFICE	X

No longer Available

**NORCOLD®**



# PARTS LIST

**N300 SERIES  
N400 SERIES**

**N300 - N300.3**

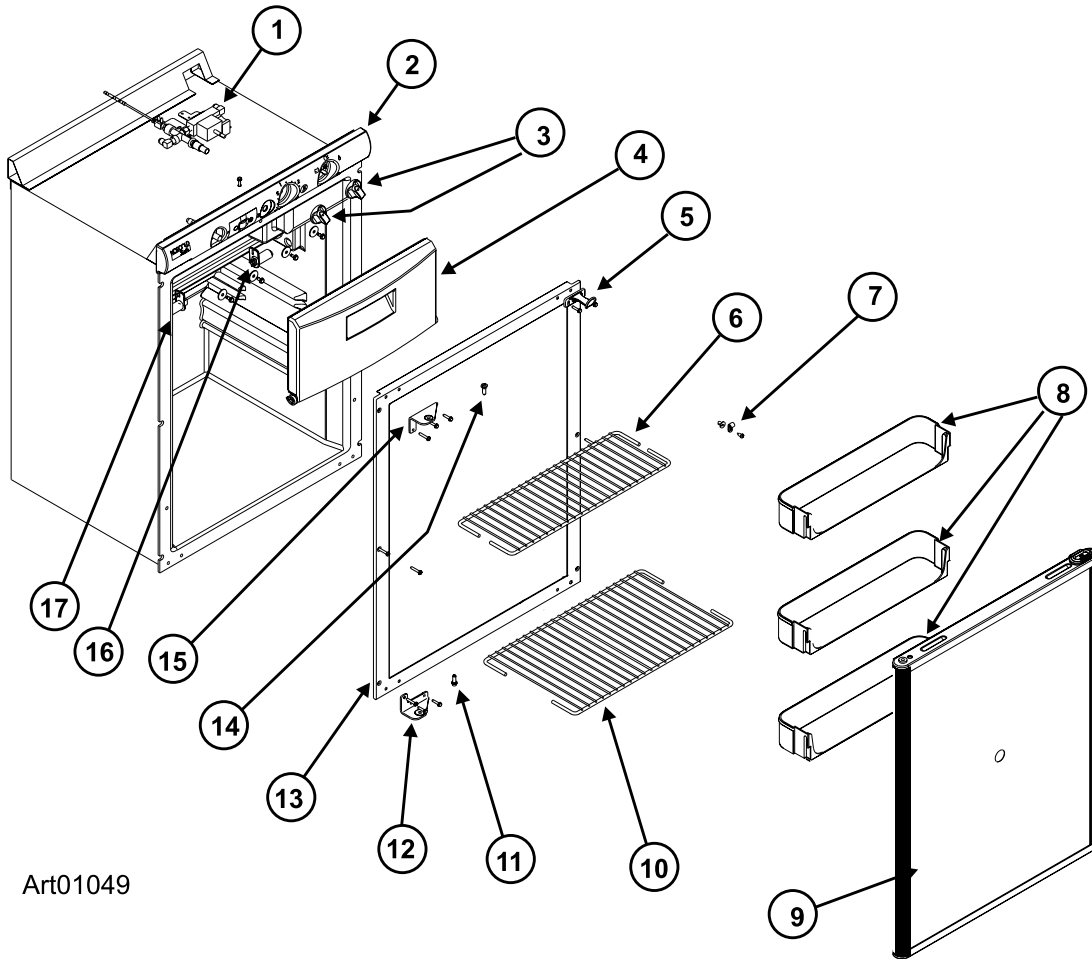
**N302 - N302.3**

**N400 - N400.3**

**N402.3**

**PART NO. 619128  
NORCOLD 7/20/2017**

# CABINET AREA (FRONT VIEW) - N300 SERIES/N400 SERIES



Art01049

NO.	PART #	DESCRIPTION	N300	N302	N400	N402.3
1	619147	CONTROL ASSY-GAS	X	X		
	620196	CONTROL ASSY-GAS			X	X
2	619196	CONTROL PANEL ASSY-EG2/BEIGE	EG2			
	619145	CONTROL PANEL ASSY-EG3/BEIGE	EG3			
	620159	CONTROL PANEL ASSY-EG2/BEIGE			EG2	
	620873	CONTROL PANEL ASSY-EG3/BEIGE			EG3	
	627458	CONTROL PANEL ASSY-EG2/BLACK		EG2		
	627459	CONTROL PANEL ASSY-EG3/BLACK		EG3		
	627463	CONTROL PANEL ASSY-EG2/BLACK				EG2
	627464	CONTROL PANEL ASSY-EG3/BLACK				EG3
3	619070	KNOB-SELECTOR/TAUPE (SUBSTITUTE 629357 - WARM GRAY)	X		X	
	629357	KNOB-SELECTOR/WARM GRAY	X		X	
	626713	KNOB-SELECTOR/BLACK		X		X

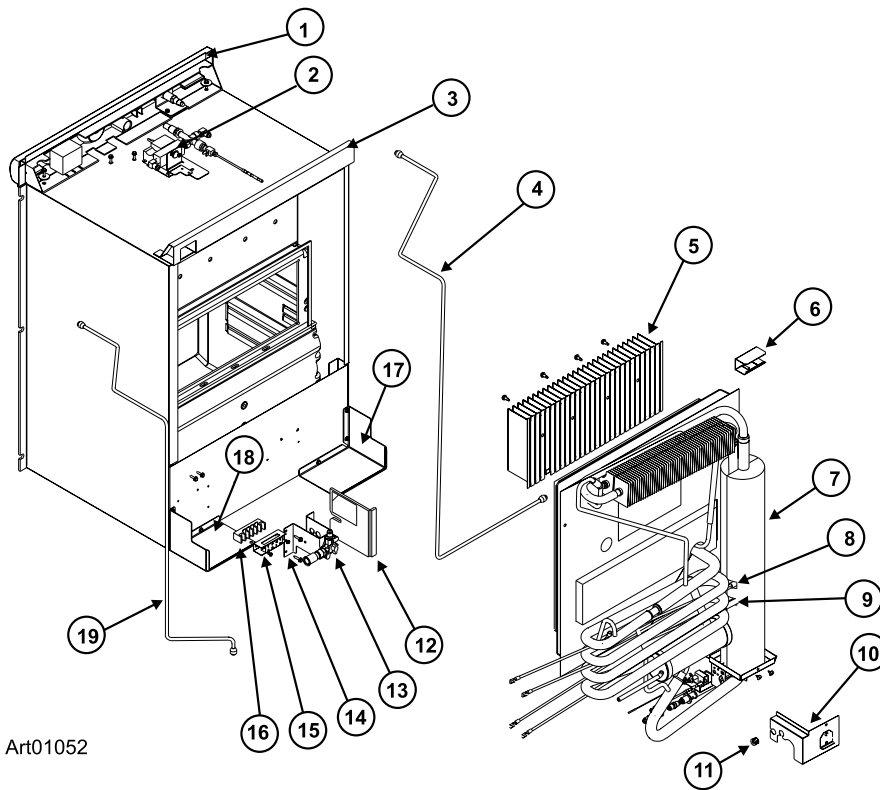
CONTINUED ON NEXT PAGE

# CABINET AREA (FRONT VIEW) - N300/N400 SERIES (CONTINUED FROM PAGE 2)

NO.	PART #	DESCRIPTION	N300	N302	N400	N402.3
4	619117	EVAPORATOR DOOR ASSY (FREEZER)	X	X	X	X
5	619103	LATCH-DOOR/BEIGE (USE 638724)	X		X	
	638724	KIT SERVICE DOOR LATCH REPLACEMENT	X		X	
	627677	LATCH-DOOR/BLACK (USE 638583)		X		X
	638583	KIT SERVICE DOOR LATCH REPLACEMENT		X		X
6	619123	SHELF-WIRE/TOP (USE 632438)	X	X		
	632438	SHELF-WIRE/TOP	X	X		
	620156	SHELF-WIRE/TOP/SHORT (USE 632442)			X	X
	632442	SHELF-WIRE/TOP/SHORT			X	X
7	61409622	CLIP-SHELF	X	X	X	X
	623121	CLIP-SHELF	X	X	X	X
8	619033	BIN-DOOR SHELF (3 PER REFRIGERATOR)	X	X		
	624863	BIN-DOOR SHELF (2 PER REFRIGERATOR)			X	X
9	619030	DOOR ASSY-CABINET/BEIGE	X			
	620164	DOOR ASSY-CABINET/BEIGE			X	
	627461	DOOR ASSY-CABINET/BLACK		X		
	627465	DOOR ASSY-CABINET/BEIGE				X
10	619102	SHELF-WIRE/BOTTOM (S/N 18787859 AND BELOW)	X	X		
	632437	SHELF-WIRE/BOTTOM (S/N 18787860 AND ABOVE)	X	X		
	620178	SHELF-WIRE/LOWER/FLIPPER/N4INS			X	X
NS	618065	CAP-CLEAR/FOR FLIPPER SHELF (NOT SHOWN)			X	X
11	61550722	HINGE PIN-BOTTOM (USE 638636)	X	X	X	X
	638636	KIT SERVICE LWR HINGE PIN REPLACEMENT	X	X	X	X
12	619095	HINGE-CABINET/UPPER RH/LOWER LH/BEIGE (FOR SERIAL # 881605 & BELOW USE 621497 & 621498 AS A PAIR)	X			
	621497	HINGE-CABINET/UPPER RH/LOWER LH/BEIGE (SN 881606 & ABOVE)	X			
	620187	HINGE-CABINET/UPPER RH/LOWER LH/BEIGE			X	
	626716	HINGE-CABINET/UPPER RH/LOWER LH/BLACK		X		
	626728	HINGE-CABINET/UPPER RH/LOWER LH/BLACK			X	X
13	619097	BREAKER-CABINET/BEIGE	X			
	626715	BREAKER-CABINET/BLACK		X		
14	61114600	HINGE PIN-TOP (USE 638630)	X		X	
	638630	KIT SERVICE UPPER HINGE PIN REPLACEMENT	X		X	
	623899	HINGE PIN-TOP/BLACK (USE 638780)		X		X
	638780	KIT SERVICE UPPER HINGE REPLACEMENT		X		X
15	619096	HINGE-CABINET/UPPER LH/LOWER RH/BEIGE (FOR SERIAL # 881605 & BELOW USE 621497 & 621498 AS A PAIR)	X			
	621498	HINGE-CABINET/UPPER LH/LOWER RH/BEIGE	X			
	620188	HINGE-CABINET/UPPER LH/LOWER RH/BEIGE			X	
	626717	HINGE-CABINET/UPPER LH/LOWER RH/BLACK		X		
	626729	HINGE-CABINET/UPPER LH/LOWER RH/BLACK				X
16	619041	SPRING HOLDER ASSY-RH/EVAP DOOR/SILVER SPRING	X	X	X	X
17	619042	SPRING HOLDER ASSY-LH/EVAP DOOR/YELLOW SPRING	X	X	X	X
NS	61630422	ICE CUBE TRAY-PLASTIC (NOT SHOWN)	X	X	X	X
NS	61619830	DRIP TRAY-INSIDE (NOT SHOWN)	X	X		
NS	622858	DRIP TRAY-INSIDE (NOT SHOWN)(USE WITH DRAIN HOSE ASSY 622394)			X	X
NS	622754	PLUG-DRIP TRAY/WHITE (NOT SHOWN)(INSERT FOR DRIP TRAY 622858)			X	X
NS	621426	BREAKER TRIM/SEAL ASSY-BOTTOM TRIM/BEIGE (NOT SHOWN)			X	
NS	627467	BREAKER TRIM/SEAL ASSY-BOTTOM TRIM/BLACK (NOT SHOWN)				X

PART IS NO LONGER AVAILABLE

# CABINET ASSEMBLY - REAR VIEW N300/N400 SERIES



Art01052

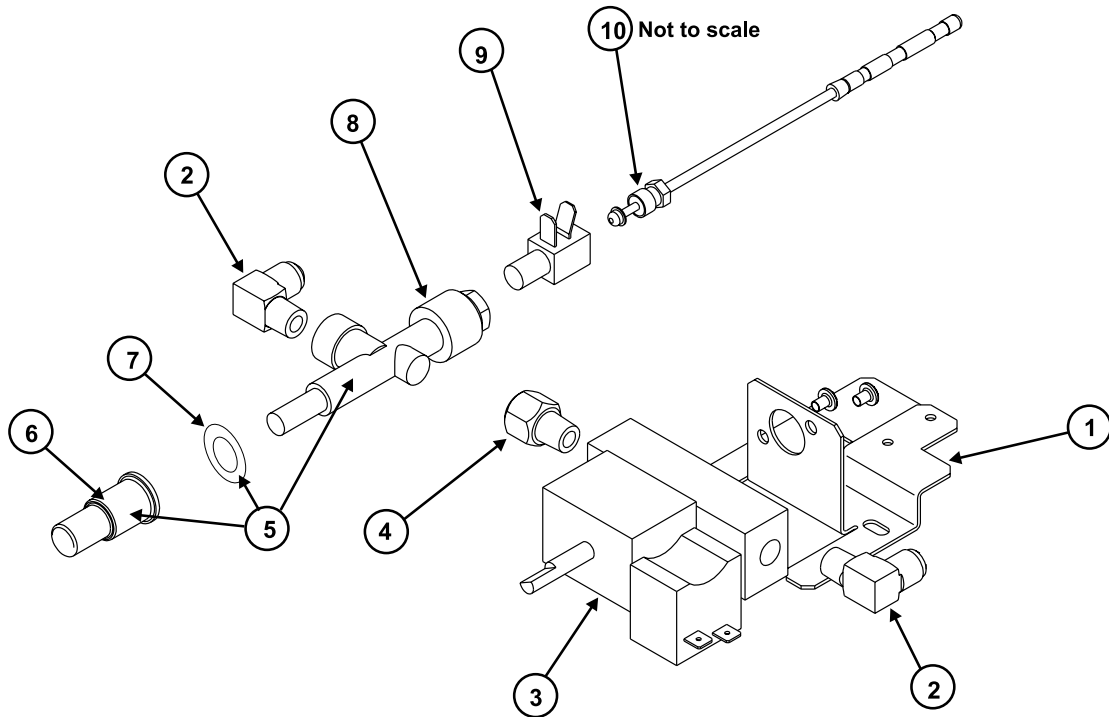
NO.	PART #	DESCRIPTION	N300	N302	N400	N402.3
1	619196	CONTROL PANEL ASSY-EG2/BEIGE	EG2			
	619145	CONTROL PANEL ASSY-EG3/BEIGE	EG3			
	620159	CONTROL PANEL ASSY-EG2/BEIGE			EG2	
	620873	CONTROL PANEL ASSY-EG3/BEIGE			EG3	
	627458	CONTROL PANEL ASSY-EG2/BLACK		EG2		
	627459	CONTROL PANEL ASSY-EG3/BLACK		EG3		
	627463	CONTROL PANEL ASSY-EG2/BLACK				EG2
	627464	CONTROL PANEL ASSY-EG3/BLACK				EG3
2	619147	CONTROL ASSY-GAS	X	X		
	620196	CONTROL ASSY-GAS			X	X
3	633229	BAFFLE-CABINET	X	X		
4	619156	BURNER TUBE (FOR SERIAL # 738383 AND BELOW)	X	X		
	621073	BURNER TUBE (FOR SERIAL # 738384 AND ABOVE)(USE 638984)	X	X		
	638984	KIT SERVICE BRNR TUBE REPLACEMENT	X	X		
	620223	BURNER TUBE (USE 638985)	X	X	X	X
	638985	KIT SERVICE BURNER TUBE REPLACEMENT			X	X
5	619052	FINS	X	X		
	61686823	FINS			X	X
6	619084	CAP-HEAT DEFLECTOR- S/N 18930682 BEFORE	X	X		
	61695022	CAP-HEAT DEFLECTOR- S/N 18930682 AFTER	X	X	X	X
NS	61728722	CLIP-FIN (NOT SHOWN)	X	X	X	X

## CABINET ASSEMBLY - REAR VIEW N300/N400 SERIES (CONTINUED FROM PAGE 4)

NO.	PART #	DESCRIPTION	N300	N302	N400	N402.3
7	636411	KIT-SERVICE SYSTEM PACK-COOLING UNIT	X	X		
	632294	KIT SERVICE SYSTEM PACK N400			X	X
NS	621237	SPACER-CONDENSER/FOR COOLING UNIT (NOT SHOWN)			X	X
8	619065	HEATER-DC/150W/14VDC (BEFORE APRIL 1999)	X	X		
	620451	HEATER-DC/150W/14VDC (AFTER MARCH 1999 & BEFORE 6/10/08)	X	X		
	630808	HEATER-DC/196W/14VDC/9.6MM (AFTER 6/10/08)	X	X		
	620884	HEATER-DC/EG3(USE 638096)			X	X
	638096	KIT SERVICE HEATER REPLACEMENT			X	X
9	619063	HEATER-AC/180W/120VAC (PRODUCTION PRIOR TO APRIL 1999)	X	X		
	620461	HEATER-AC/120VAC (AFTER MARCH 1999 & BEFORE 6/10/08)(USE 638363)	X	X		
	638363	KIT SERVICE HEATER REPLACEMENT	X	X		
	630809	HEATER-AC/120VAC/180W/9.6MM (AFTER 6/10/08)(USE 638373)	X	X		
	638373	KIT SERVICE HEATER REPLACEMENT	X	X		
	61562522	HEATER-AC/200W/110VAC(USE 638095)			X	X
	638095	KIT SERVICE HEATER REPLACEMENT			X	X
10	61712637	COVER ASSY-BURNER BOX	X	X	X	X
11	61606522	BUSHING-OPEN/CLOSED 1/2"	X	X	X	X
12	619086	BAFFLE-BLOWOUT	X	X		
13	617976	MANUAL SHUTOFF VALVE ASSY	X	X		
	61692322	MANUAL SHUT OFF VALVE ASSY			X	X
14	61694022	BRACKET-MOUNTING/MANUAL SHUT OFF VALVE	X	X	X	X
15	619177	COVER-TERMINAL BLOCK	X	X	X	X
16	619173	TERMINAL BLOCK	X	X	X	X
17	620199	BRACE-CORNER/CABINET/RH	X	X		
	619124	BRACE-CORNER/CABINET/RH			X	X
18	620198	BRACE-CORNER/CABINET/LH	X	X		
	619119	BRACE-CORNER/CABINET/LH			X	X
19	619157	INLET TUBE-GAS	X	X		
	620225	INLET TUBE-GAS			X	X
NS	622394	DRAIN HOSE ASSY (NOT SHOWN)			X	X
NS	622389	PLUG-DRAIN HOSE/BLACK			X	X
NS	622546	DRIP CUP-REAR/PLASTIC (NOT SHOWN)			X	X
NS	617918	CORD-AC POWER (NOT SHOWN)	X	X	X	X
NS	620881	SHROUD-UPPER CONTROL AREA (NOT SHOWN)			X	X
NS	61583322	FUSE COVER (NOT SHOWN)			X	X
NS	61584222	FUSE HOLDER (NOT SHOWN)			X	X
NS	621227	FUSE-GLASS/25 AMP/EG3 (NOT SHOWN)			EG3	EG3
NS	61654622	FUSE-GLASS/3 AMP/32V OR LESS (NOT SHOWN)			X	X
NS	620423	WIRE HARNESS-N400 (NOT SHOWN)			X	X
NS	621220	WIRE-12"/BLACK/CONTROL (NOT SHOWN)			X	X
NS	621219	WIRE-14"/WHITE/CONTROL/EG3 (NOT SHOWN)				X
NS	619166	WIRE-39.5"/YELLOW (NOT SHOWN)	X			
NS	620234	WIRE-55"/YELLOW/CONTROL/EG3 (NOT SHOWN)			EG3	EG3
NS	621223	WIRE-61"/WHITE/CONTROL/EG3 (NOT SHOWN)			EG3	EG3
NS	61679022	Baffle- Flame Spreader	X	X	X	X



# GAS CONTROL ASSEMBLY AREA - N300 N400 SERIES

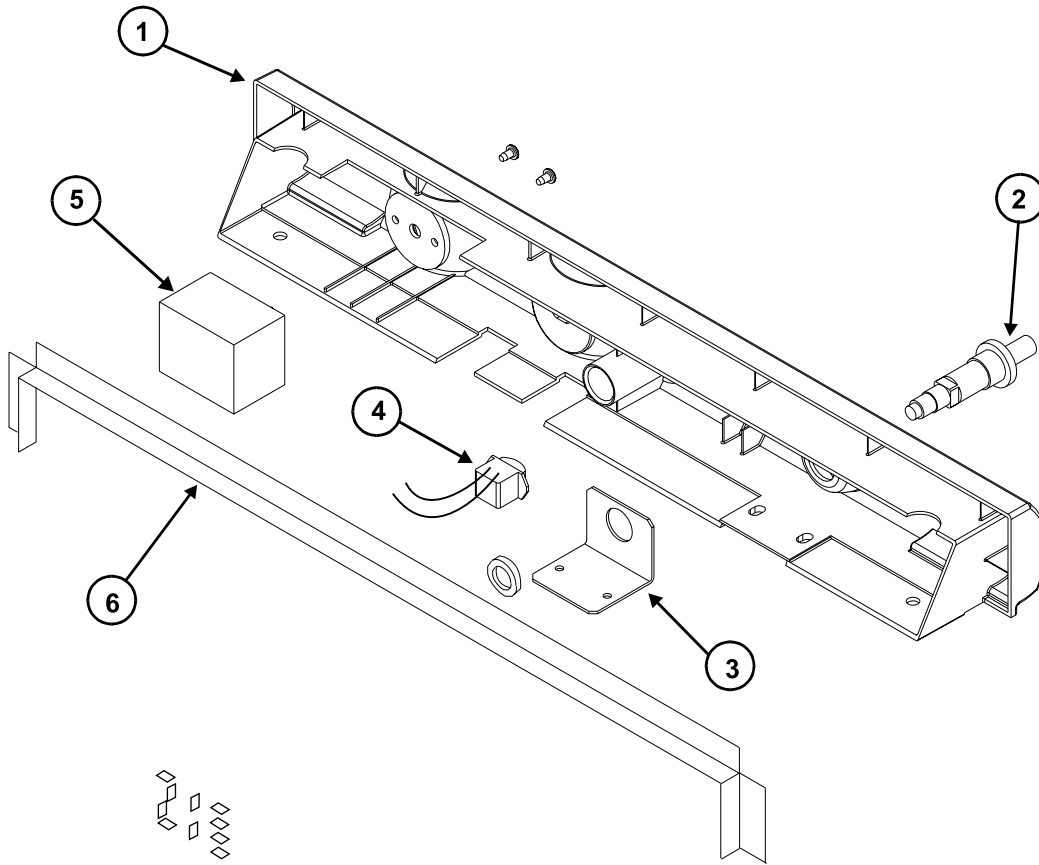


Art01043

NO.	PART #	DESCRIPTION	N300	N302	N400	N402.3
	619147	CONTROL ASSY-GAS	X	X		
	620196	CONTROL ASSY-GAS			X	X
1	617952	BRACKET-MOUNTING/THERMOSTAT/GAS VALVE	X	X	X	X
2	61621622	BRASS ELBOW-UNION TUBE	X	X	X	X
	623297	GAS VALVE-THERMOSTAT CONTROL	X	X		
3	621298	GAS VALVE-THERMOSTAT CONTROL			X	X
4	619055	ADAPTOR-PIPE	X	X		
5	622746001	KIT-SAFETY VALVE/EXTENSION PLUG (USE 638094)	X	X	X	X
	638094	KIT SERVICE GAS SAFETY VALVE REPLACEMENT	X	X	X	X
6	619044	PLUG-SAFETY VALVE EXTENSION (USE 638094)	X	X		
	622396	PLUG-SAFETY VALVE EXTENSION (USE 638094)	X	X		
7	623249	O RING-SAFETY VALVE	X	X		
8	622098	SAFETY VALVE (USE 622746001)	X	X	X	X
9	621737	INTERRUPTER	X	X	X	X
NS	619073	TAB ADAPTER-INTERRUPTER (NOT SHOWN)	X	X	X	X
	619154	THERMOCOUPLE	X	X		
10	620424	THERMOCOUPLE			X	X

PART IS NO LONGER AVAILABLE

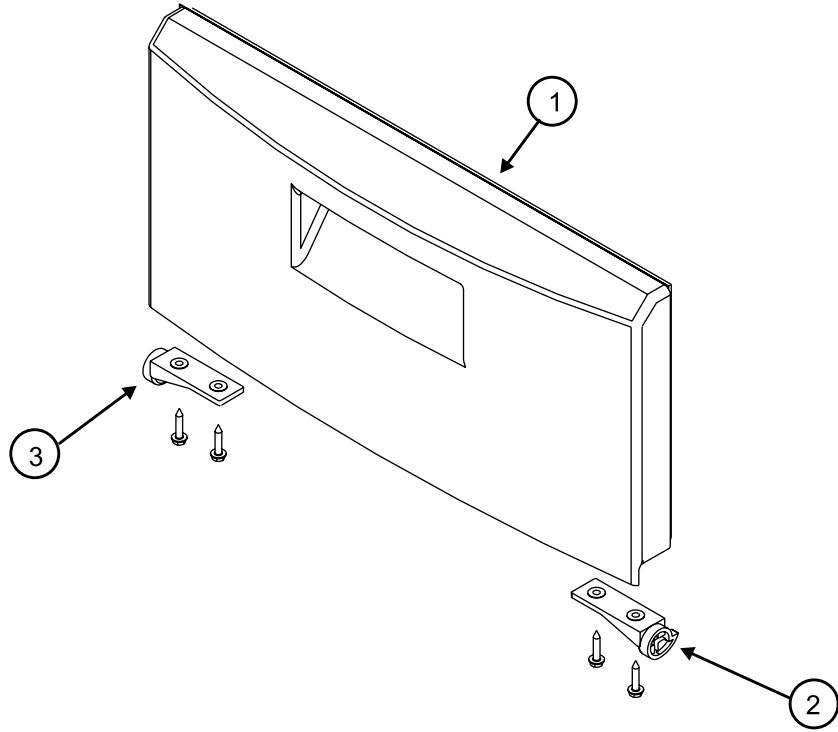
# CONTROL PANEL ASSEMBLY AREA - N300/ N400 SERIES



Art01044

NO.	PART #	DESCRIPTION	N300	N302	N400	N402.3
	619196	CONTROL PANEL ASSY-EG2/BEIGE	EG2			
	619145	CONTROL PANEL ASSY-EG3/BEIGE	EG3			
	620159	CONTROL PANEL ASSY-EG2/BEIGE			EG2	
	620873	CONTROL PANEL ASSY-EG3/BEIGE			EG3	
	627458	CONTROL PANEL ASSY-EG2/BLACK		EG2		
	627459	CONTROL PANEL ASSY-EG3/BLACK		EG3		
	627463	CONTROL PANEL ASSY-EG2/BLACK				EG2
	627464	CONTROL PANEL ASSY-EG3/BLACK				EG3
1	619205	CONTROL PANEL-EG2/BEIGE	EG2			
	619146	CONTROL PANEL-EG3/BEIGE	EG3			
	620160	CONTROL PANEL-EG2/BEIGE			EG2	
	620205	CONTROL PANEL-EG3/BEIGE			EG3	
	626707	CONTROL PANEL-EG2/BLACK		EG2		
	626708	CONTROL PANEL-EG3/BLACK		EG3		
	626721	CONTROL PANEL-EG2/BLACK				EG2
	626720	CONTROL PANEL-EG3/BLACK				EG3
2	61645622	SPARK IGNITOR-MANUAL	X	X	X	X
3	619152	BRACKET-SPARK IGNITOR	X	X		
	620886	BRACKET-SPARK IGNITER			X	X
4	61481322	METER-FLAME INDICATOR	X	X	X	X
5	619168	SWITCH-SELECTOR/4 POSITION (16572976 AND BEFORE)	X	X		
	620863	SWITCH-SELECTOR (16572977 AND AFTER)	X	X		
	620863	SWITCH-SELECTOR			X	X
6	619087	COMBUSTION SEAL STRIP	X	X		
NS	619203	RETAINER-FLAME METER (NOT SHOWN)	X	X	X	X

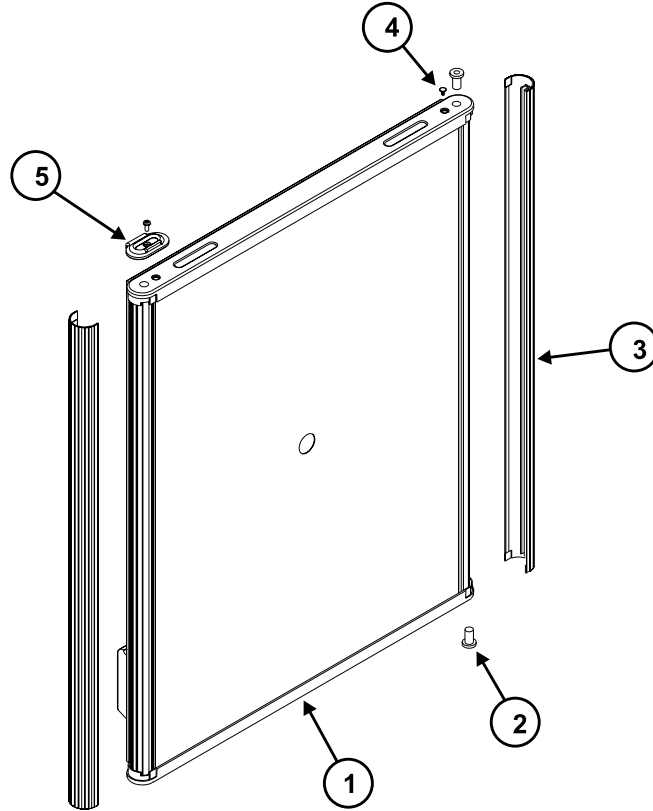
# FREEZER DOOR ASSEMBLY AREA - N300/N400 SERIES



Art01045

NO.	PART #	DESCRIPTION	N300	N302	N400	N402.3
1	619117	EVAPORATOR DOOR ASSY (FREEZER)	X	X	X	X
2	61632930	MOUNTING CLIP-RH/WHITE/EVAPORATOR DOOR	X	X	X	X
3	61633030	MOUNTING CLIP-LH/WHITE/EVAPORATOR DOOR	X	X	X	X

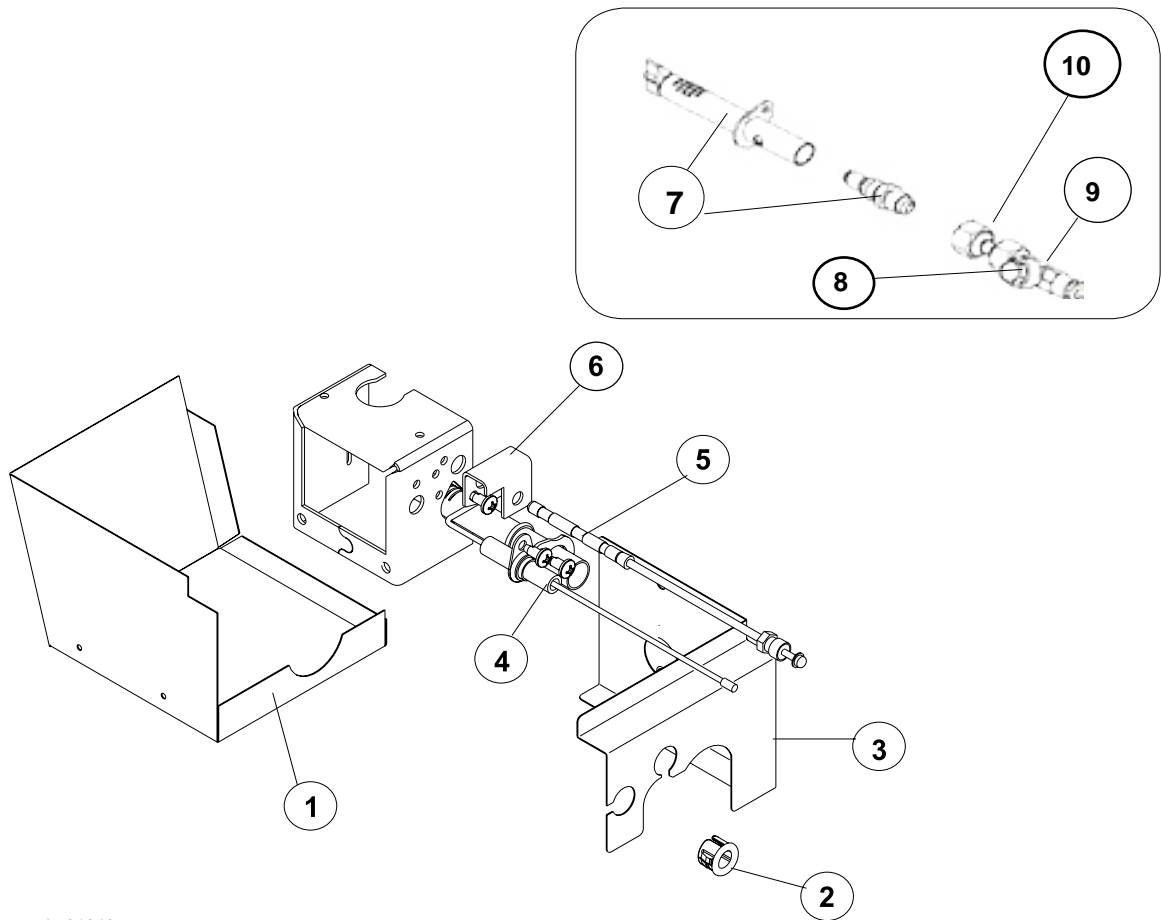
# DOOR ASSEMBLY - N300/N400 SERIES



Art01047

NO.	PART #	DESCRIPTION	N300	N302	N400	N402.3
1	619030	DOOR ASSY-CABINET/BEIGE	X			
	620164	DOOR ASSY-CABINET/BEIGE			X	
	627461	DOOR ASSY-CABINET/BLACK		X		
	627465	DOOR ASSY-CABINET/BEIGE				X
2	61742022	HINGE BUSHING	X	X	X	X
3	619035	PANEL RETAINER-BEIGE	X			
	620167	PANEL RETAINER-BEIGE			X	
	626712	PANEL RETAINER-BLACK		X		
	626725	PANEL RETAINER-BLACK				X
4	619048	PLUG-HANDLE SCREW/BEIGE	X			
	618173	PLUG-HANDLE SCREW/BLACK		X		
5	619104	LATCH PLATE-DOOR/BEIGE (USE 638725)	X		X	
	638725	KIT SERVICE DOOR LATCH REPLACEMENT	X		X	
	627571	LATCH PLATE-DOOR/BLACK(USE 638579)		X		X
	638579	KIT SERVICE DOOR LATCH REPLACEMENT		X		X
NS	620200	PLATE-FILLER/DOOR ASSY/BEIGE (NOT SHOWN) (USE 638726)			X	
	638726	KIT SERVICE FILLER DOOR ASSY			X	
NS	620200	PLATE-FILLER/DOOR ASSY/BLACK (NOT SHOWN)				X
	638726	KIT SERVICE FILLER DOOR ASSY				X

# BURNER ASSEMBLY AREA - N300 / N300.3 / N400 / N400.3



Art01048

NO.	PART #	DESCRIPTION	N300	N302	N400	N402.3
1	61695322	BASE-BURNER BOX	X	X	X	X
2	61606522	BUSHING-OPEN/CLOSED 1/2"	X	X	X	X
3	61712637	COVER ASSY-BURNER BOX	X	X	X	X
4	619153	ELECTRODE-SPARK IGNITION ASSY	X	X		
	620227	ELECTRODE-SPARK IGNITION ASSY			X	X
5	619154	THERMOCOUPLE	X	X		
	620424	THERMOCOUPLE			X	X
6	618448	BRACKET-THERMOCOUPLE			X	X
	622547	BRACKET-THERMOCOUPLE	X	X		
7	621953	KIT-BURNER/ORIFICE ADAPTER ASSY-S/N 18930682 BEFORE	X	X		
	636390	KIT-BURNER/ORIFICE ADAPTER ASSY- S/N 18930682 AFTER	X	X		
	621955	KIT-BURNER/ORIFICE ADAPTER ASSY			X	X
8	61445322	PLUG-1/8"/FOR PRESSURE TAP	X	X	X	X
9	61755322	PRESSURE TAP (CALL NORCOLD)	X	X		
	621054	PRESSURE TAP	X	X	X	X
10	621079	CONNECTOR-SWIVEL NUT	X	X	X	X

PART IS NO LONGER AVAILABLE

**NORCOLD<sup>®</sup>**



# PARTS LIST

**N305 SERIES  
N306 SERIES**

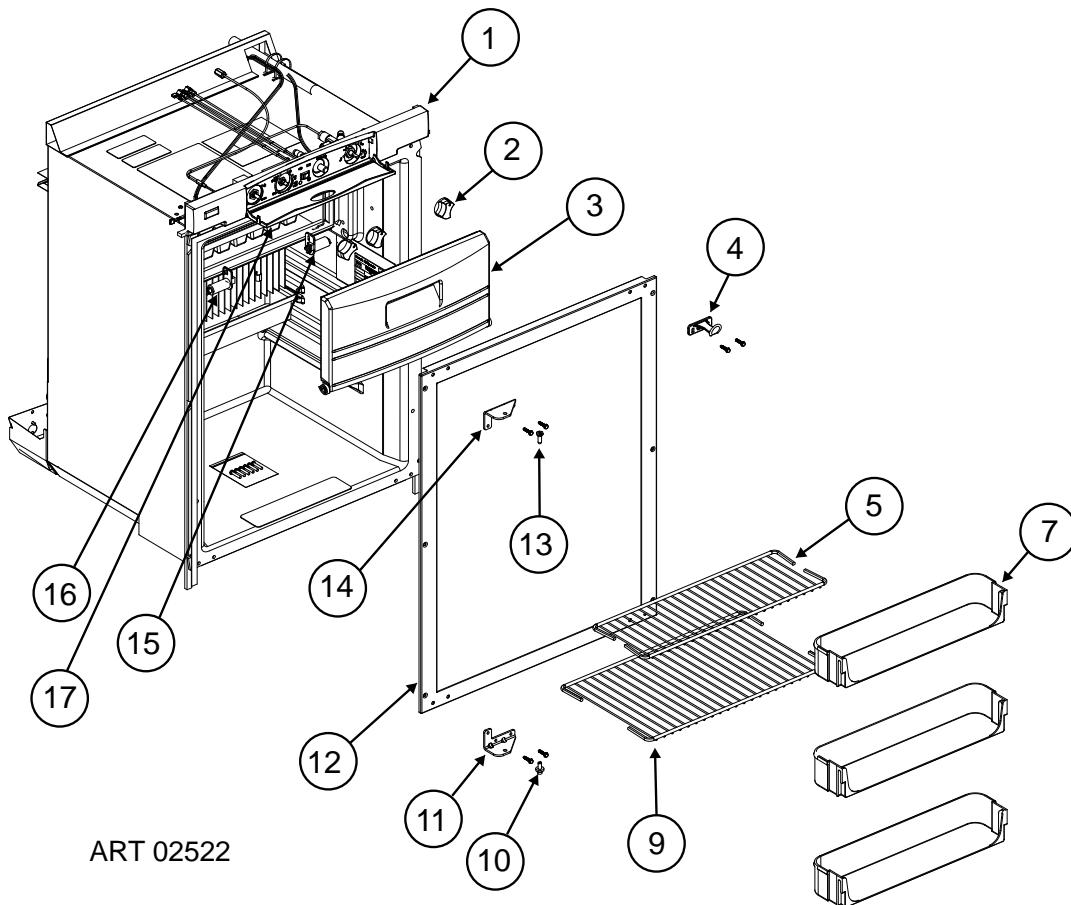
**N305 - N305.3**

**N306 - N306.3**

**N306F**

**PART NO. 637106  
NORCOLD 5/19/2017**

# CABINET AREA (FRONT VIEW) - N305/N306 SERIES



ART 02522

## CABINET AREA (FRONT VIEW) - N305/N306 SERIES

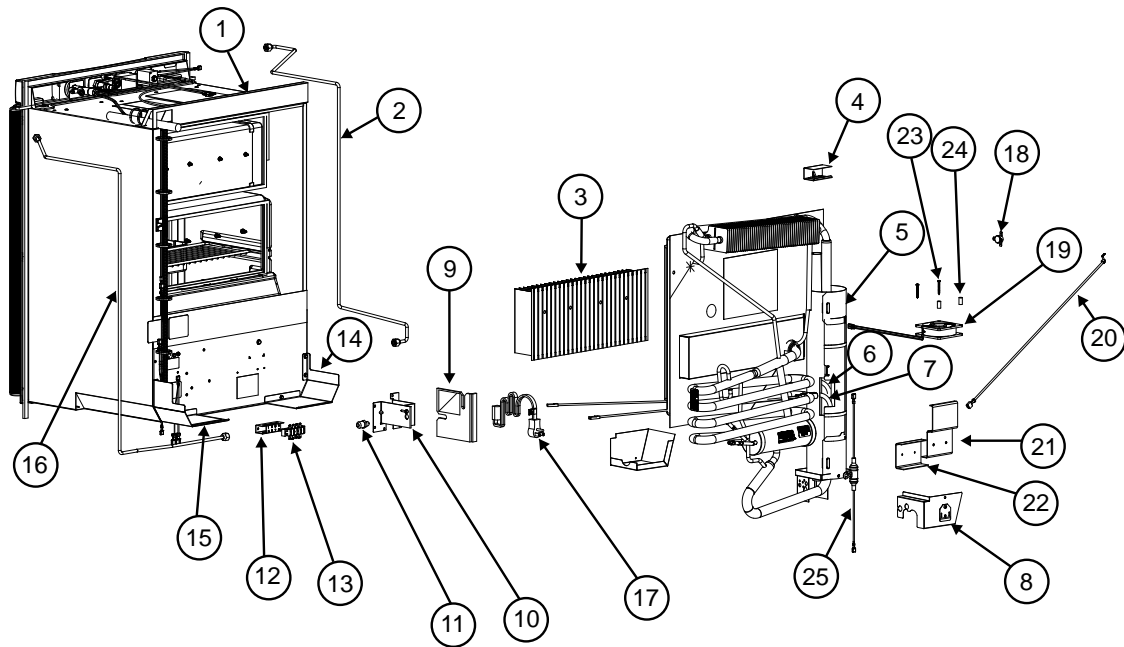
NO.	PART #	DESCRIPTION	N305	N305.3	N306	N306.3	N306F
1	636829	CONTROL PANAL ASSY-N305	X				
	636835	CONTROL PANEL ASSY- N305.3		X			
	636827	CONTROL PANEL ASSY N306			X		X
	636837	CONTROL PANEL ASSY N306.3				X	
2	636150	KNOB CONTROL	X	X	X	X	X
3	619117	EVAPORATOR DOOR ASSY (FREEZER)	X	X	X	X	X
4	619103	LATCH-DOOR/BEIGE (USE 638724)	X	X			
	638724	KIT SERVICE DOOR LATCH REPLACEMENT	X	X			
	627677	LATCH-DOOR/BLACK (USE 638583)			X	X	X
	638583	KIT SERVICE DOOR LATCH REPLACEMENT			X	X	X
5	632438	SHELF-WIRE/TOP	X	X	X	X	X
NS	623121	CLIP-SHELF	X	X	X	X	X
7	619033	BIN-DOOR SHELF (3 PER REFRIGERATOR)	X	X	X	X	X
NS	619030	DOOR ASSY-CABINET/BEIGE	X	X			
	627461	DOOR ASSY-CABINET/BLACK			X	X	X
9	632437	SHELF-WIRE/BOTTOM	X	X	X	X	X
10	61550722	HINGE PIN-BOTTOM (USE 638636)	X	X	X	X	X
	638636	KIT SERVICE LWR HINGE PIN REPLACEMENT	X	X	X	X	X
11	621497	HINGE-CABINET/UPPER RH/LOWER LH/BEIGE	X	X			
	626716	HINGE-CABINET/UPPER RH/LOWER LH/BLACK			X	X	X
12	619097	BREAKER-CABINET/BEIGE	X	X			
	626715	BREAKER-CABINET/BLACK			X	X	X
13	61114600	HINGE PIN-TOP (USE 638630)	X	X			
	638630	KIT SERVICE UPPER HINGE PIN REPLACEMENT	X	X			
	623899	HINGE PIN-TOP/BLACK (USE 638780)			X	X	X
	638780	KIT SERVICE UPPER HINGE PIN REPLACEMENT			X	X	X
14	621498	HINGE-CABINET/UPPER LH/LOWER RH/BEIGE	X	X			
	626717	HINGE-CABINET/UPPER LH/LOWER RH/BLACK			X	X	X
15	619041	SPRING HOLDER ASSY-RH/EVAP DOOR/SILVER SPRING	X	X	X	X	X
16	619042	SPRING HOLDER ASSY-LH/EVAP DOOR/YELLOW SPRING	X	X	X	X	X
17	636142	CONTROL DOOR - BLACK (SN 20042601 & ABOVE) (USE 638595)			X	X	X
	638595	KIT SERVICE CONTROL DOOR REPLACEMENT (SN 20042601 & ABOVE)			X	X	X
	637231	CONTROL DOOR-BLACK/UNI (SN 20042600 & BELOW)			X	X	X
	636143	CONTROL DOOR - TUAPE (USE 638779)	X	X			
	638779	KIT SERVICE CONTROL DOOR REPLACEMENT	X	X			
NS	61630422	ICE CUBE TRAY-PLASTIC	X	X	X	X	X
NS	61619930	DRIPY TRAY INSIDE	X	X	X	X	X

PART IS NO LONGER AVAILABLE

NS NOT SHOWN



# CABINET ASSEMBLY - REAR VIEW N305/N306 SERIES



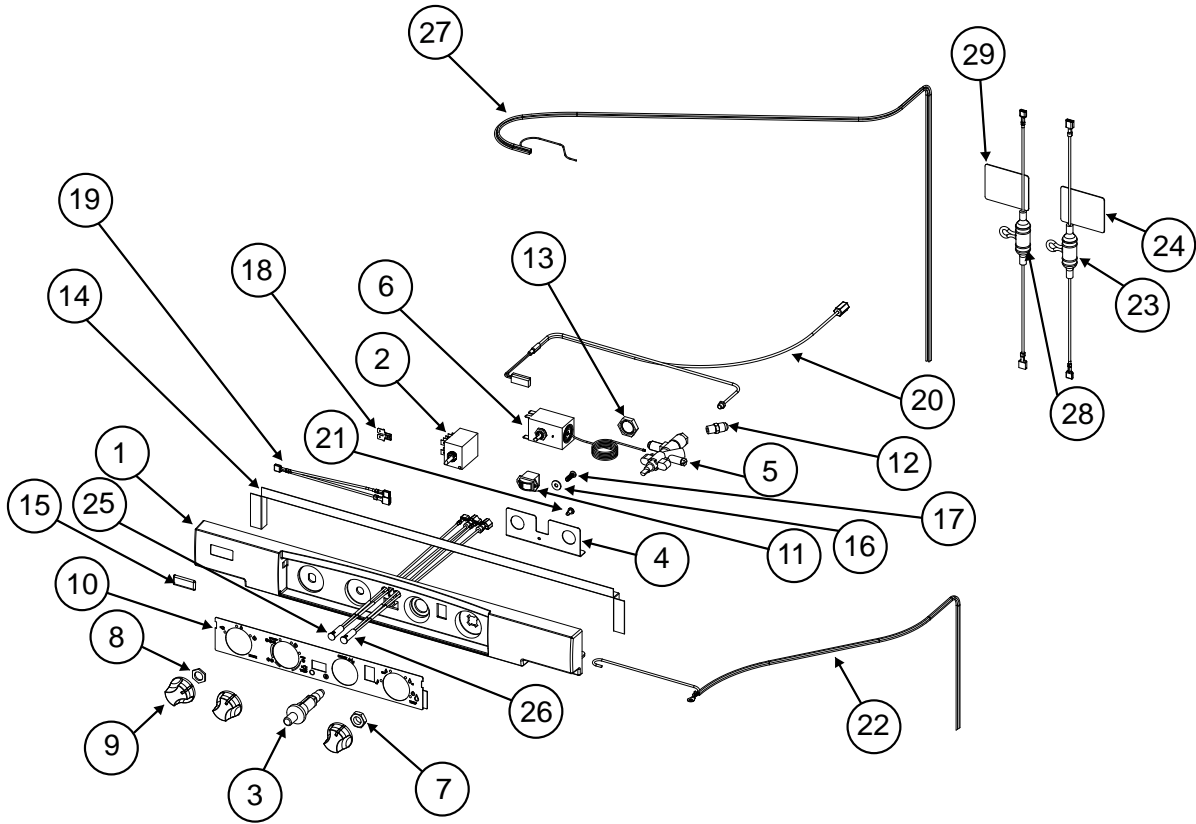
ART 02523

NO.	PART #	DESCRIPTION	N305	N305.3	N306	N306.3	N306F
1	635439	BAFFLE-CABINET	X	X	X	X	X
2	636276	INLET TUBE-GAS	X	X	X	X	X
3	619052	FINS	X	X	X	X	X
NS	61728722	CLIP-FIN (NOT SHOWN)	X	X	X	X	X
4	61695022	CAP-HEAT DEFLECTOR	X	X	X	X	X
NS	636262	KIT-SERVICE SYSTEM PACK-COOLING UNIT	X	X	X	X	X
5	636411	KIT-SERVICE SYSTEM PACK-COOLING UNIT	X	X	X	X	X
6	630808	HEATER-DC/196W/14VDC/9.6MM	X	X	X	X	X
7	630809	HEATER-AC/120VAC/180W/9.6MM	X	X	X	X	X
8	61712637	COVER ASSY-BURNER BOX	X	X	X	X	X
9	636720	BAFFLE-BLOWOUT	X	X	X	X	X
10	636312	BRACKET-MOUNTING / GAS INLET	X	X	X	X	X
11	636367	UNION REDUCER- 1/4 x 3/8 FLARE	X	X	X	X	X
12	619177	COVER-TERMINAL BLOCK	X	X	X	X	X
13	636481	TERMINAL BLOCK	X	X	X	X	X
14	620199	BRACE-CORNER/CABINET/RH	X	X	X	X	X
15	620198	BRACE-CORNER/CABINET/LH	X	X	X	X	X
16	636275	BURNER TUBE	X	X	X	X	X
17	617918	CORD-AC POWER	X	X	X	X	X
18	618093	THERMOSTAT- FAN					X
19	618073	FAN- 12VDC (USE 637881)					X
	637881	FAN- 12VDC					X
20	629882	WIRE ASSEMBLY					X
21	636392	BRACKET FAN					X
22	618404	BRACKET- FAN SUPPORT BACK					X
23	61581122	SCREW (#6-20 x 1.25")					X
24	636946	SPACER					X
25	636310	WIRE FUSED BLUE 1AMP					X
NS	636797	WIRE 18WG BLACK					X
NS	61679022	Baffle- Flame Spreader	X	X	X	X	X

NS NOT SHOWN

NO LONGER AVAILABLE

# CONTROL PANEL ASSEMBLY AREA - N305/ N306 SERIES

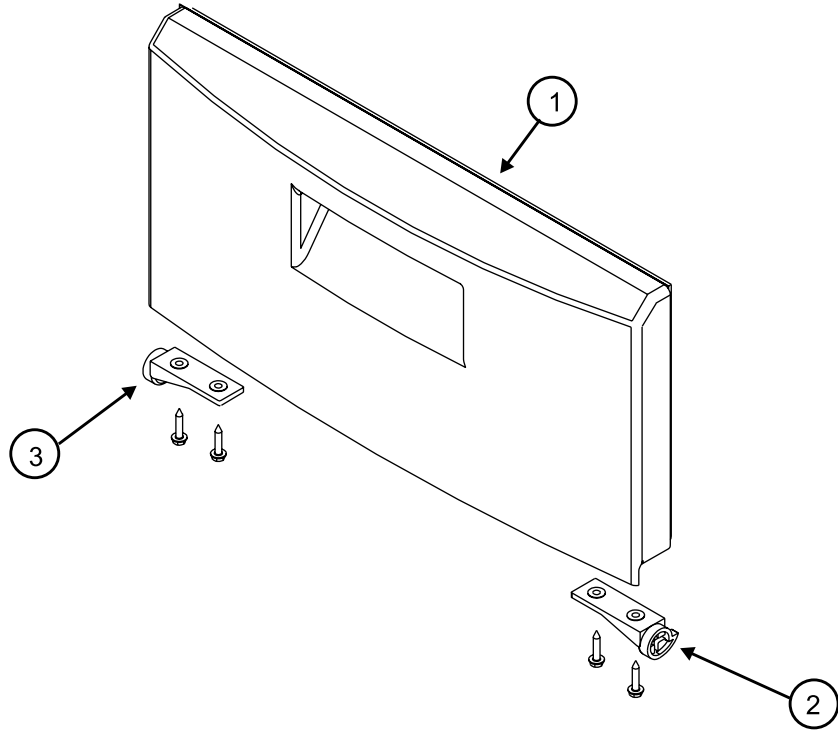


ART 02524

## CONTROL PANEL ASSEMBLY AREA - N305/ N306 SERIES

NO.	PART #	DESCRIPTION	N305	N305.3	N306	N306.3	N306F
	636827	CONTROL PANEL ASSY-N306			X		X
	636829	CONTROL PANEL ASSY-N305	X				
	636835	CONTROL PANEL ASSY- N305.3		X			
	636837	CONTROL PANEL ASSY-N306.3				X	
1	636137	CONTROL PANEL - N300-BLK			X	X	X
	636136	CONTROL PANEL - N300- TAUPE	X	X			
2	620863	SWITCH SELECTOR	X	X	X	X	X
3	633998	SPARK IGNITOR-MANUAL	X	X	X	X	X
4	636259	BRACKET- GROUNDING	X	X	X	X	X
5	635690	VALVE-GAS-COPRECI	X	X	X	X	X
6	636495	THERMOSTAT	X	X	X	X	X
7	636356	NUT M12-1 HEX	X	X	X	X	X
8	621308	HEX NUT-M12	X	X	X	X	X
9	636150	KNOB CONTROL	X	X	X	X	X
	636490	GRAPHICS-3WAY, BLK				X	
	636491	GRAPHICS-2WAY, BLK			X		X
	636492	GRAPHICS-3WAY, TAUPE		X			
	636493	GRAPHICS-2WAY, TAUPE	X				
11	61481322	METER-FLAME INDICATOR (USE 638632)	X	X	X	X	X
	638632	KIT SERVICE FLAME METER REPLACEMENT	X	X	X	X	X
	636142	CONTROL DOOR-BLACK (SN 20042601 & ABOVE) (USE 638595)			X	X	X
	638595	KIT SERVICE CONTROL DOOR REPLACEMENT (SN 20042601 & ABOVE)			X	X	X
	637231	CONTROL DOOR -BLACK\UNI (SN 20042600 & BELOW)			X	X	X
	636143	CONTROL DOOR-TAUPE (USE 638779)	X	X			
	638779	KIT SERVICE CONTROL DOOR REPLACEMENT	X	X			
12	61546822	MALE CONNECTOR	X	X	X	X	X
13	623972	SPEED NUT M18-1.5	X	X	X	X	X
14	619087	COMBUSTION SEAL STRIP-N30	X	X	X	X	X
15	636759	LOGO PLATE-SELF-ADHESIVE	X	X	X	X	X
16	621583	WASHER-#8 FLAT	X	X	X	X	X
17	624809	SCREW- #8-16X5/8-PAN-BLACK	X	X	X	X	X
18	619073	TAB ADAPTER-INTERRUPTOR	X	X	X	X	X
19	636382	WIRE-18AWG BLACK	X	X	X	X	X
20	636348	THERMOCOUPLE EXTENSION	X	X	X	X	X
21	61633330	SCREW-#8-32 X 3/8 BLACK	X	X	X	X	X
22	636513	WIRING HARNESS 2WAY	X	X	X	X	X
23	636281	WIRED-FUSED BLK 3 AMP	X	X	X	X	X
24	619074	LABEL-FUSE/ 3 AMP	X	X	X	X	X
25	636081	INDICATOR LIGHT	X	X	X	X	X
	636168	INDICATOR LIGHT (USE 639131)		X		X	
	639131	KIT SERVICE DC POWER INDICATOR REPLACEMENT		X		X	
27	636514	WIRING HARNESS 3WAY		X		X	
28	636282	WIRE-FUSED RED 20 AMP		X		X	
29	619067	LABEL-FUSE/20 AMP		X		X	
		NO LONGER AVAILABLE					

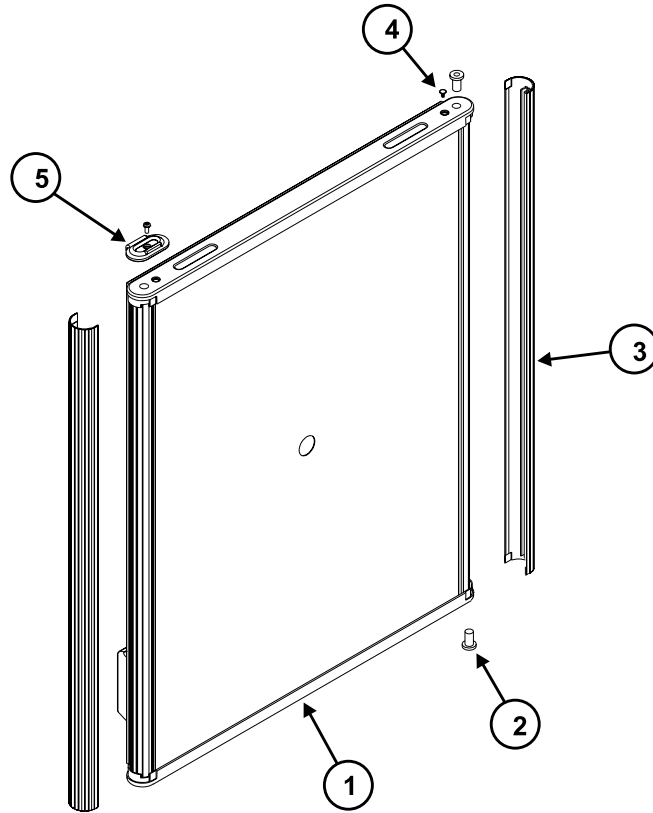
# FREEZER DOOR ASSEMBLY AREA - N305/N306 SERIES



Art01045

NO.	PART #	DESCRIPTION	N305	N305.3	N306	N306.3	N306F
1	619117	EVAPORATOR DOOR ASSY (FREEZER)	X	X	X	X	X
2	61632930	MOUNTING CLIP-RH/WHITE/EVAPORATOR DOOR	X	X	X	X	X
3	61633030	MOUNTING CLIP-LH/WHITE/EVAPORATOR DOOR	X	X	X	X	X

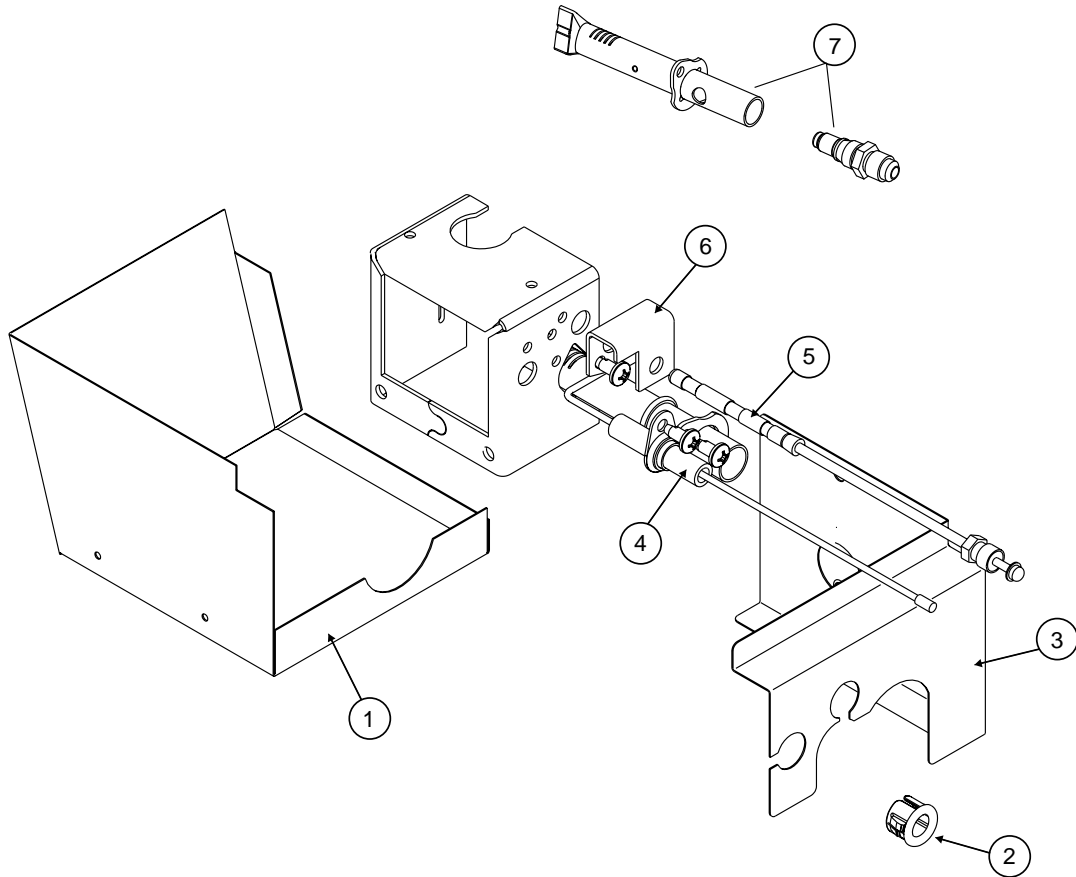
# DOOR ASSEMBLY - N305/N306 SERIES



Art01047

NO.	PART #	DESCRIPTION	N305	N305.3	N306	N306.3	N306F
1	619030	DOOR ASSY-CABINET/BEIGE	X	X			
	627461	DOOR ASSY-CABINET/BLACK			X	X	X
2	61742022	HINGE BUSHING	X	X			
	626714	HINGE BUSHING-BLACK			X	X	X
3	621980	PANEL RETAINER-BEIGE	X	X			
	626712	PANEL RETAINER-BLACK			X	X	X
4	619048	PLUG-HANDLE SCREW/BEIGE	X	X			
	618173	PLUG-HANDLE SCREW/BLACK			X	X	X
5	619104	LATCH PLATE-DOOR/BEIGE (USE 638725)	X	X			
	638725	KIT SERVICE DOOR LATCH PLATE REPLACEMENT	X	X			
	627571	LATCH PLATE-DOOR/BLACK (USE 638579)			X	X	X
	638579	KIT SERVICE DOOR LATCH PLATE REPLACEMENT			X	X	X
		NO LONGER AVAILABLE					

# BURNER ASSEMBLY AREA - N305/N306 SERIES

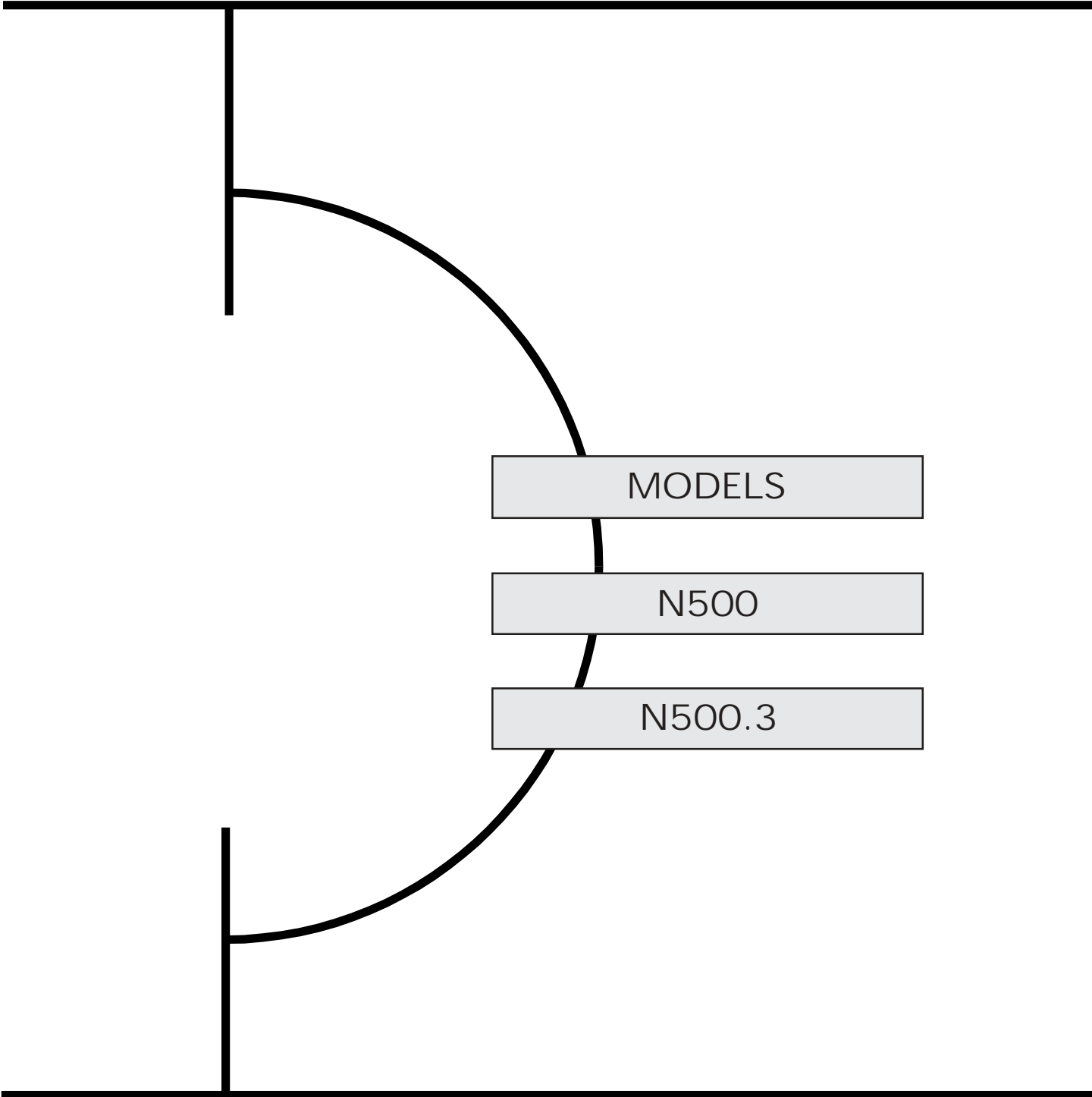


NO.	PART #	DESCRIPTION	N305	N305.3	N306	N306.3	N306F
1	61695322	BASE-BURNER BOX	X	X	X	X	X
2	61606522	BUSHING-OPEN/CLOSED 1/2"	X	X	X	X	X
3	61712637	COVER ASSY-BURNER BOX	X	X	X	X	X
4	619153	ELECTRODE-SPARK IGNITION ASSY	X	X	X	X	X
5	636352	THERMOCOUPLE	X	X	X	X	X
6	636770	BRACKET-THERMOCOUPLE	X	X	X	X	X
7	621955	KIT-BURNER/ORIFICE ADAPTER ASSY (USE 636390)	X	X	X	X	X
	636390	KIT SERVICE BURNER/ORIFICE LP65	X	X	X	X	X

NO LONGER AVAILABLE

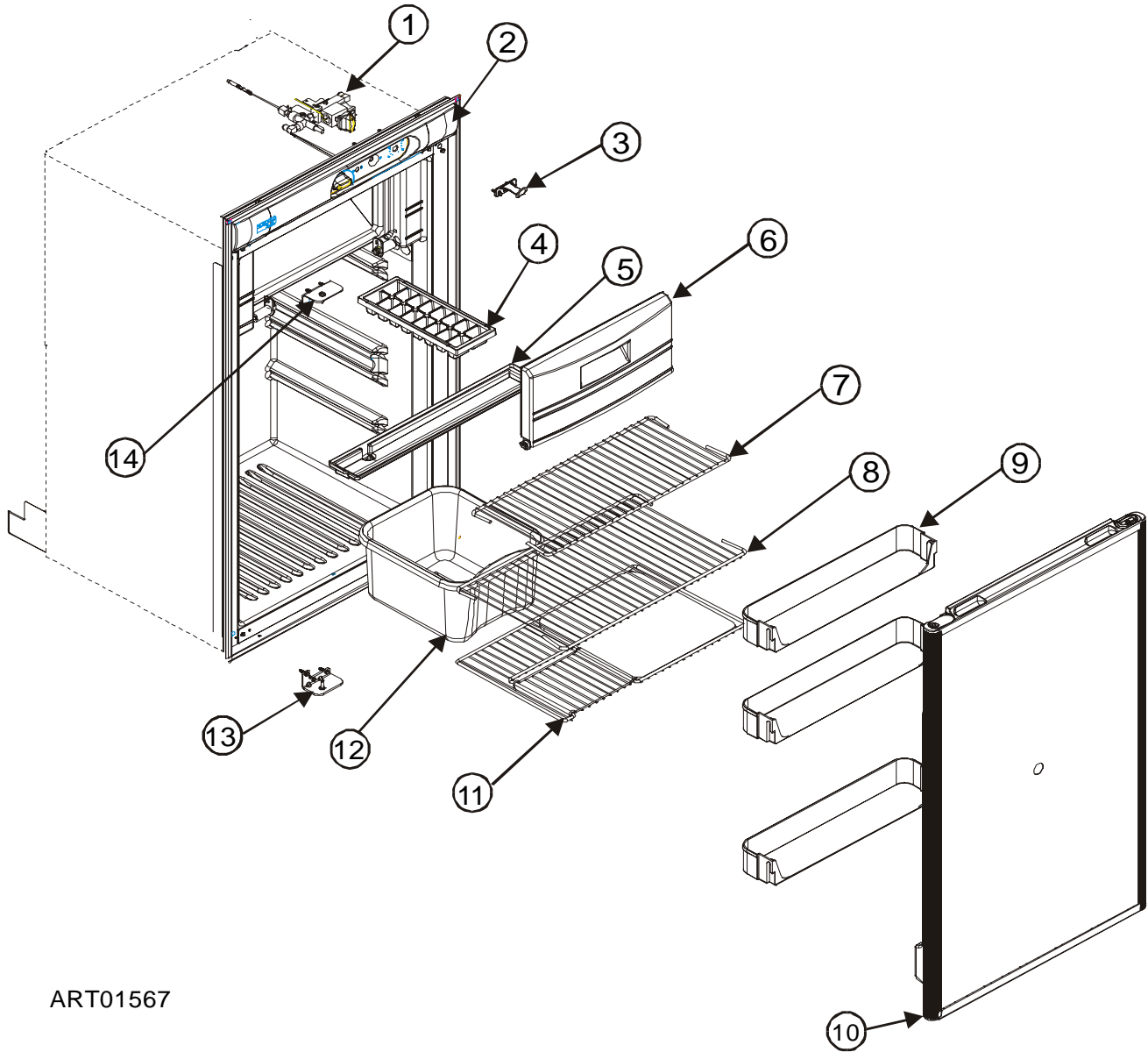


# PARTS LIST



PART # 620428  
NORCOLD 03/01/2009

**CABINET ASSEMBLY (FRONT VIEW) - N500 SERIES**



ART01567

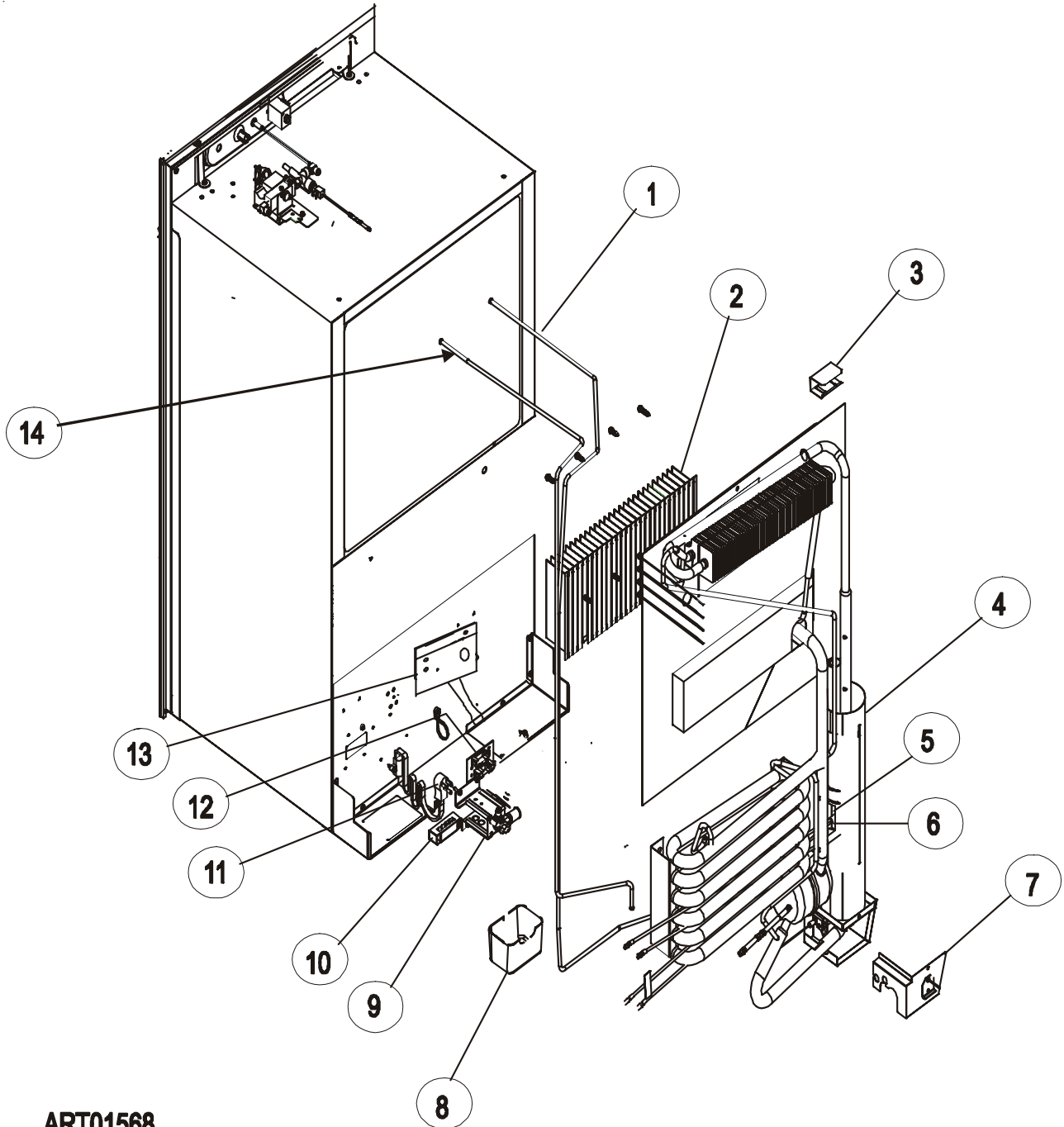


## CABINET ASSEMBLY (FRONT VIEW) - N500 SERIES

NO.	PART #	DESCRIPTION	N500	N500.3
1	620195	GAS CONTROL ASSY	*	*
NS	620881	SHROUD-UPPER CONTROL AREA	*	*
2	620201	CONTROL PANEL ASSY	*	
	620445	CONTROL PANEL ASSY		*
NS	619070	KNOB-SELECTOR-TAUPE (SUBSTITUTE 629357 - WARM GRAY)	*	*
NS	619069	KNOB-GAS CONTROL (USE 619070)	*	*
3	619103	LATCH-DOOR	*	*
4	61630422	ICE CUBE TRAY-PLASTIC	*	*
5	622858	DRIP TRAY-INSIDE	*	*
6	619117	FREEZER DOOR ASSY	*	*
NS	619042	SPRING HOLDER ASSY-LH/EVAPORATOR DOOR	*	*
NS	619041	SPRING HOLDER ASSY-RH/EVAPORATOR DOOR	*	*
7	620156	SHELF-WIRE/TOP/SHORT	*	*
8	620155	SHELF-WIRE/MIDDLE	*	*
9	620157	BIN-DOOR SHELF (3 PER REFRIGERATOR)	*	*
10	620125	DOOR ASSY-CABINET	*	*
11	620178	SHELF-WIRE/LOWER/FLIPPER	*	*
12	621309	BIN-CRISPER	*	*
NS	621412	COVER-CRISPER	*	*
13	620187	HINGE-CABINET/UPPER RH/LOWER LH	*	*
NS	61550722	HINGE PIN-BOTTOM	*	*
14	620188	HINGE-CABINET/UPPER LH/LOWER RH	*	*
NS	61114600	HINGE PIN-TOP	*	*
NS	621426	BREAKER TRIM/SEAL ASSY-BOTTOM TRIM	*	*
NS	61409622	CLIP-SHELF	*	*

NS = NOT SHOWN

**CABINET ASSEMBLY (REAR VIEW) - N500 SERIES**



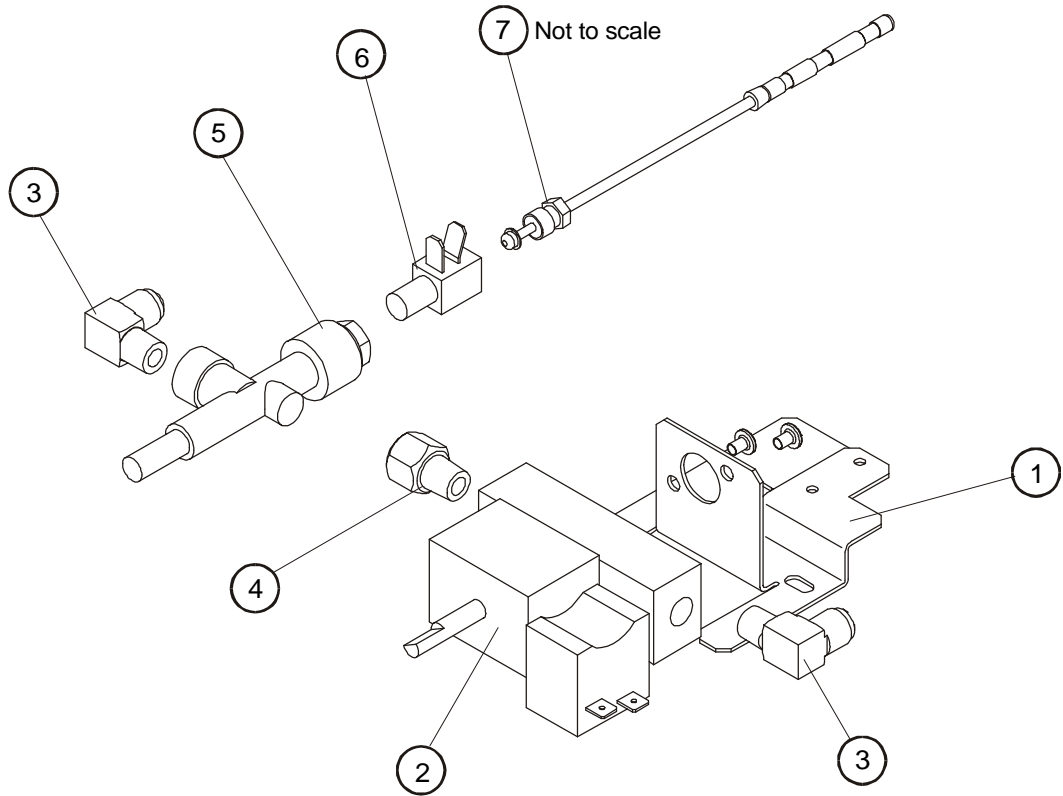
**ART01568**

## CABINET ASSEMBLY (FRONT VIEW) - N500 SERIES

NO.	PART #	DESCRIPTION	N500	N500.3
1	620222	BURNER TUBE	*	*
2	61686823	FINS	*	*
NS	61728722	CLIP-FIN	*	*
3	61695022	CAP-HEAT DEFLECTOR	*	*
4	632299	NSC SYSTEM PACK-COOLING UNIT (BACKER HEATER)	*	*
5	620884	HEATER-DC/EG3		*
	630810	HEATER-DC/EG3 (FOR COOLING UNIT WITH BACKER HEATER)		*
6	61562522	HEATER-AC/200W/110VAC	*	*
	630804	HEATER-AC/200W/110VAC (FOR COOLING UNIT WITH BACKER HEATER)	*	*
7	61712637	COVER ASSY-BURNER BOX	*	*
8	61710922	DRIP CUP-REAR	*	*
NS	622393	DRAIN HOSE ASSY	*	*
9	61692322	MANUAL SHUT OFF VALVE ASSY	*	*
NS	61694022	BRACKET-MOUNTING/MANUAL SHUT OFF VALVE	*	*
10	619177	COVER-TERMINAL BLOCK	*	*
11	617918	CORD-AC POWER	*	*
12	620868	TERMINAL BLOCK	*	*
13	620796	RELIGHTER	*	*
14	620224	INLET TUBE-GAS	*	*
NS	619119	BRACE-CORNER/CABINET/LH	*	*
NS	619124	BRACE-CORNER/CABINET/RH	*	*
NS	61583322	FUSE COVER	*	*
NS	61584222	FUSE HOLDER	*	*
NS	621228	PLATE-FUSE HOLDER	*	*
NS	621227	FUSE-25 AMP/EG3		*
NS	61654622	FUSE-3 AMP/32V OR LESS	*	*
NS	620197	WIRE HARNESS	*	*
NS	621220	WIRE-12"/BLACK/CONTROL	*	*
NS	621225	WIRE-12"/ORANGE/CONTROL	*	*
NS	621219	WIRE-14"/WHITE/CONTROL/EG3		*
NS	620233	WIRE-61"/YELLOW/CONTROL		*
NS	621221	WIRE-67"/WHITE/CONTROL/EG3		*
NS	621237	SPACER-CONDENSER/FOR COOLING UNIT	*	*
NS	621413	CABLE TIE-HIGH TEMPERATURE	*	*
NS	61417922	CABLE TIE-NYLON	*	*
NS	61571822	CABLE TIE-NYLON	*	*
NS	619197	COVER-EDGE GUARD	*	*

NS = NOT SHOWN

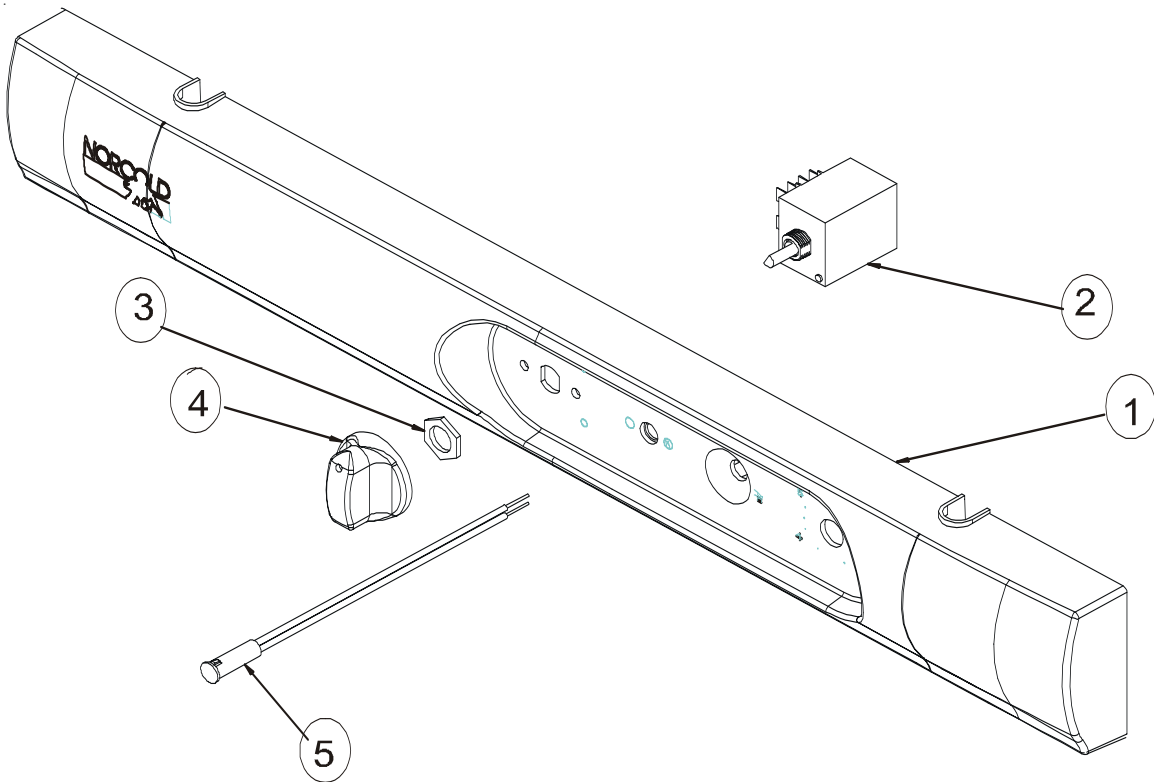
# GAS CONTROL ASSEMBLY AREA - N500 SERIES



Art01336

NO.	PART #	DESCRIPTION	N500	N500.3
	620195	GAS CONTROL ASSY	*	*
1	617952	BRACKET-MOUNTING/THERMOSTAT/GAS VALVE	*	*
2	621298	GAS VALVE-THERMOSTAT CONTROL	*	*
3	61621622	BRASS ELBOW-UNION TUBE	*	*
4	619055	ADAPTOR-PIPE	*	*
5	622098	SAFETY VALVE	*	*
6	621737	INTERRUPTER	*	*
7	620424	THERMOCOUPLE	*	*

**CONTROL PANEL ASSEMBLY AREA - N500 SERIES**

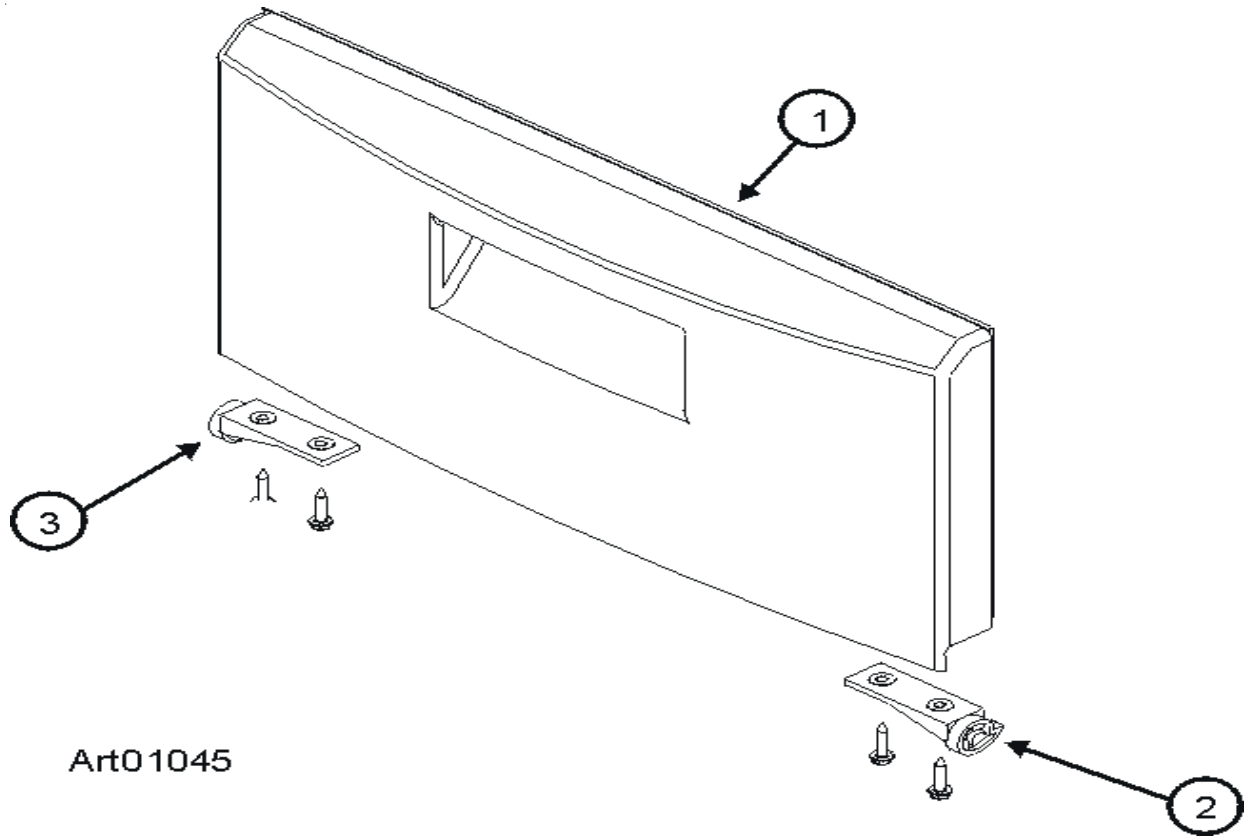


ART01569

NO.	PART #	DESCRIPTION	N500	N500.3
1	620202	CONTROL PANEL	*	
	620206	CONTROL PANEL		*
2	620863	SWITCH-SELECTOR	*	*
3	621308	NUT-ATTACHMENT	*	*
4	619070	KNOB-SELECTOR (SUBSTITUTE 629357 - WARM GRAY)	*	*
5	61609022	INDICATOR LIGHT-FLAME	*	*
NS	618040	CONNECTOR-.25"/FEMALE	*	*

NS = NOT SHOWN

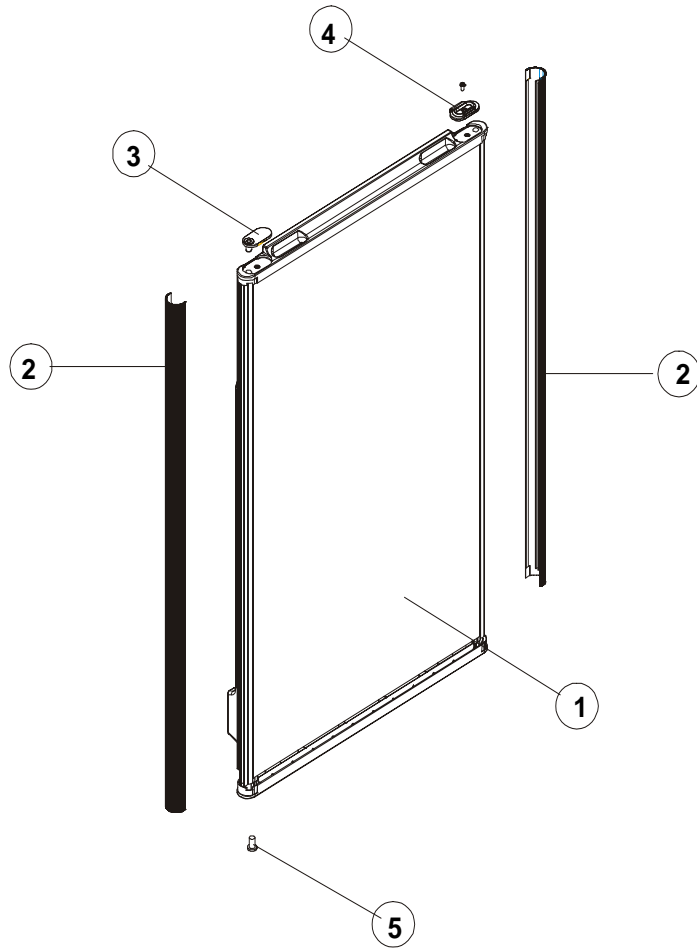
# EVAPORATOR DOOR ASSEMBLY - N500 SERIES



Art01045

NO.	PART #	DESCRIPTION	N500	N500.3
1	619117	FREEZER DOOR ASSY	*	*
2	61632930	MOUNTING CLIP-RH/WHITE/EVAPORATOR DOOR	*	*
3	61633030	MOUNTING CLIP-LH/WHITE/EVAPORATOR DOOR	*	*

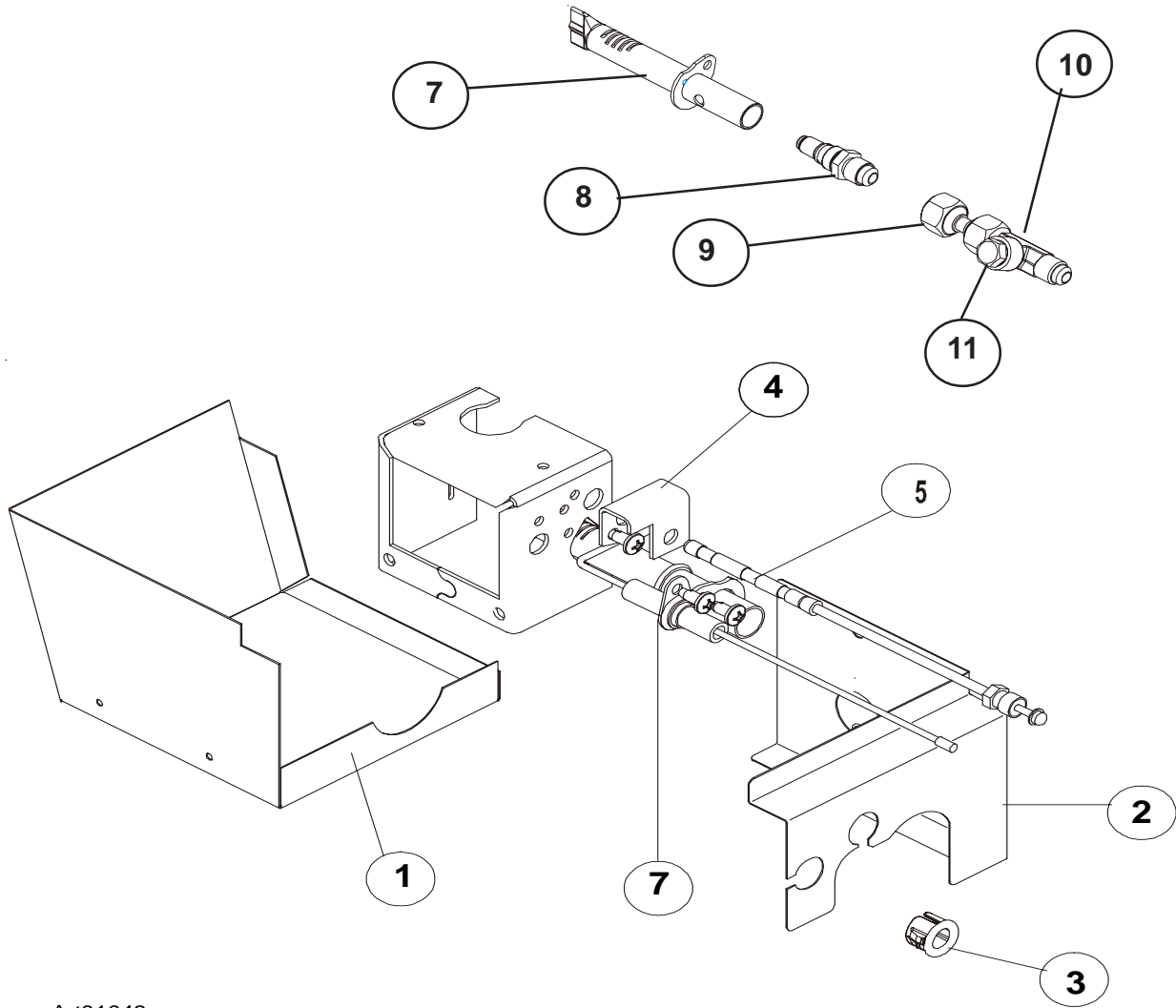
**DOOR ASSEMBLY - N500 SERIES**



ART01329

NO.	PART #	DESCRIPTION	N500	N500.3
1	620125	DOOR ASSY-CABINET	*	*
2	620130	PANEL RETAINER	*	*
3	619104	LATCH PLATE-DOOR	*	*
4	620200	PLATE-FILLER/DOOR ASSY	*	*
5	61742022	HINGE BUSHING	*	*
	618746	HINGE BUSHING	*	*

# BURNER ASSEMBLY AREA - N500 SERIES



Art01048

NO.	PART #	DESCRIPTION	N500	N500.3
1	61695322	BASE-BURNER BOX	*	*
2	61712637	COVER ASSY-BURNER BOX	*	*
3	61606522	BUSHING-OPEN/CLOSED 1/2"	*	*
4	618448	BRACKET-THERMOCOUPLE	*	*
5	620424	THERMOCOUPLE	*	*
6	61692222	ELECTRODE-SPARK/SENSE/SINGLE ELECTRODE/0.25"	*	*
7	61705222	BURNER ASSY-5 SLOT (USE 621955)	*	*
8	620462	ORIFICE ADAPTER ASSY-LP14 (USE 621955)	*	*
	621955	KIT-BURNER/ORIFICE ADAPTER ASSY	*	*
9	621079	CONNECTOR-SWIVEL NUT (SERIAL NUMBER 783384 AND ABOVE)	*	*
10	621054	PRESSURE TAP (SERIAL # 783384 AND ABOVE)	*	*
11	61445322	PLUG-1/8"/FOR PRESSURE TAP	*	*





# PARTS LIST

## N62/N82 SERIES

### N62 SERIES

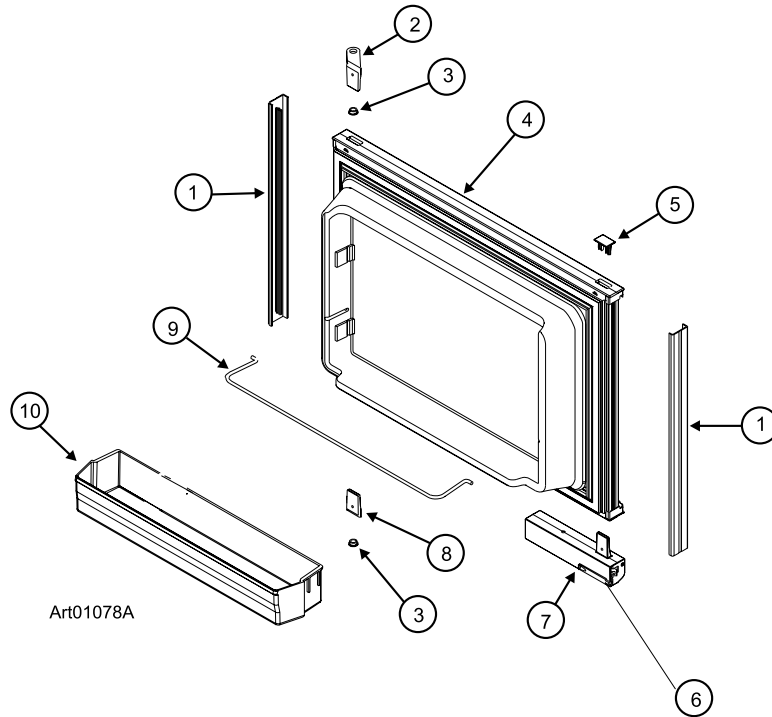
N621  
N621C  
N621F  
N621CF  
N621SS  
N623  
N624

### N82 SERIES

N821  
N821C  
N821BK  
N821BKF  
N821F  
N821CF  
N821SS  
N821V  
N822  
N822F  
N823  
N824

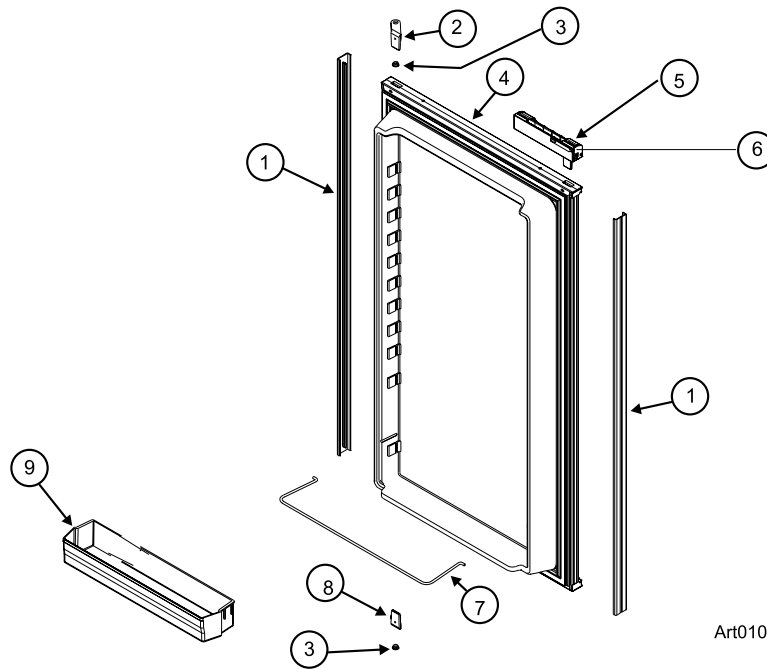
PART NO. 623422  
NORCOLD 6/2/2017

# UPPER DOOR (FREEZER) - N62/N82 SERIES



NO.	PART #	DESCRIPTION	N621 N621C N621F N621CF N623 N624			N821 N821C N821F N821CF N823 N824			N822 N822F	
1	623943	PANEL RETAINER-UPPER DOOR/PANEL/BLACK/SDL	X			X			X	
	619558	PANEL RETAINER-UPPER DOOR/BLACK/WDL	X			X			X	
2	618511	HINGE-DOOR SIDE/TOP RH/BTM LH/BLACK/WDL ONLY	X			X			X	
3	619671	HINGE BUSHING-DOOR/WARM GRAY/WDL/SDL	X			X			X	
4	623945	DOOR ASSY-UPPER/PANEL/BLACK FRAME/SDL	X			X			X	
	619627	DOOR ASSY-UPPER/PANEL/BLACK FRAME/WDL	X			X			X	
	632732	DOOR ASSY-UPPER/WRAP/AT BLACK/SDL (SERIAL # 12965198 & BELOW)						BK		
	634065	DOOR ASSY-UPPER/WRAP/ANCO BLACK/SDL (SERIAL # 12965199 & ABOVE)						BK		
	632731	DOOR ASSY-UPPER/WRAP/AT-SS/SDL (SERIAL # 12965541 & BELOW) (USE 634062)	SS							
	634062	DOOR ASSY-UPPER/WRAP/ANCO-SS/SDL (SERIAL # 12965542 & ABOVE)	SS			SS				
5	618160	CAP-HINGE PLUG/BLACK	X			X			X	
6	619866	DOOR HANDLE ASSY-UPPER DOOR/RH SWING (SERIAL # 965168 & BELOW)	X			X				
	621469	DOOR HANDLE ASSY-UPPER DOOR/RH SWING/PLASTIC (SERIAL # 965169 & ABOVE)	X			X			X	
	621105	DOOR HANDLE ASSY-UPPER DOOR/RH SWING (USE 621465)								X
	621465	DOOR HANDLE ASSY UPPER	X			X			X	
7	622313	STORAGE LATCH-DOOR/WARM GRAY/PLASTIC HANDLE	X			X				
	619648	STORAGE LATCH-DOOR/WARM GRAY/METAL HANDLE	X			X			X	
8	618510	HINGE-DOOR SIDE/TOP LH/BTM RH/BLACK/WDL ONLY	X			X			X	
9	618618	RAIL-UPPER DOOR/WDL ONLY	X			X			X	
10	624863	BIN-DOOR SHELF/WHITE/SDL	X			X			X	
	618619	BIN-DOOR SHELF/WHITE/WDL	X			X			X	
		PART IS NO LONGER AVAILABLE								

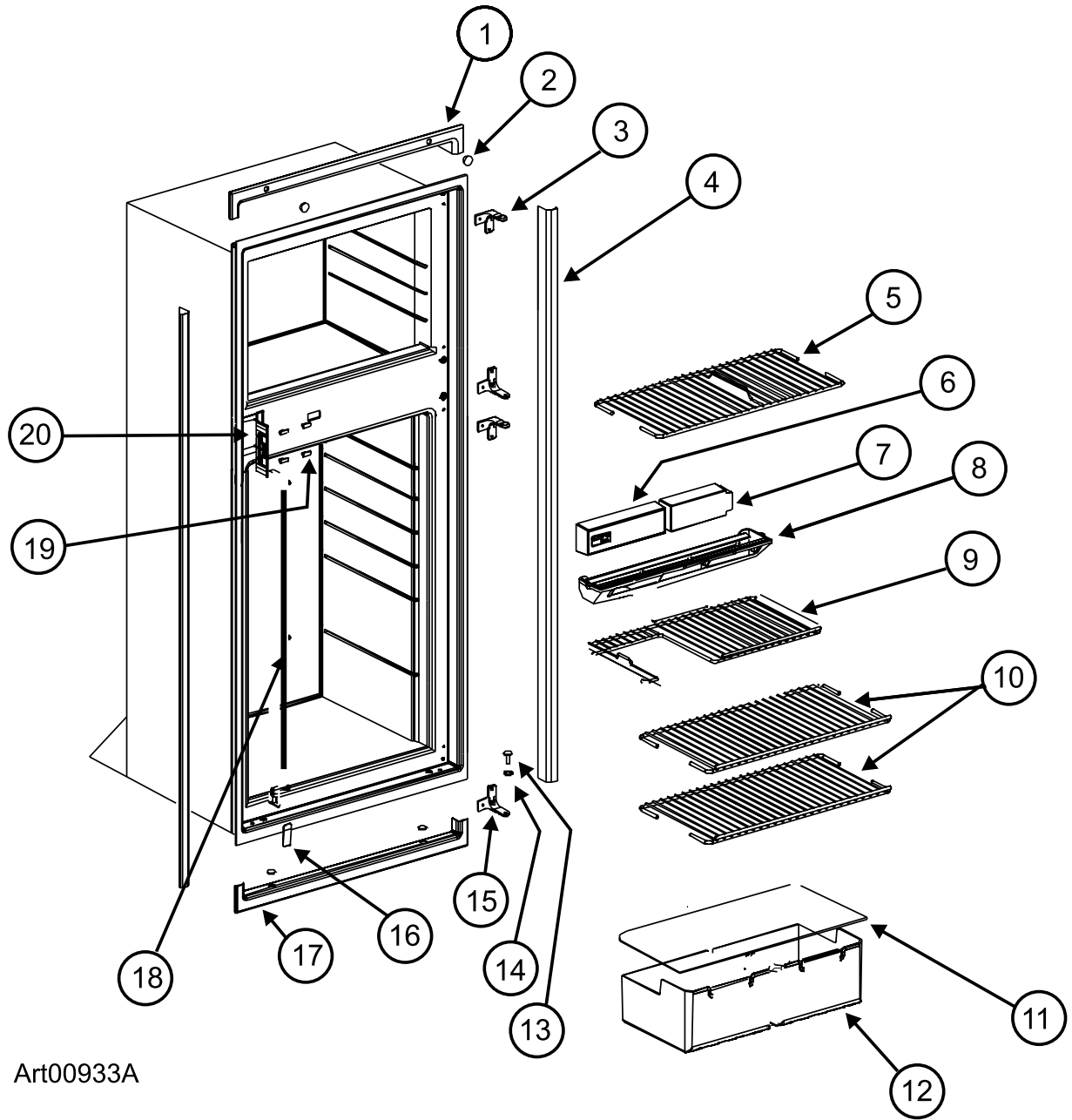
# LOWER DOOR (FRESH FOOD) - N62/N82 SERIES



Art01079A

NO.	PART #	DESCRIPTION	N621 N621C N621F N621CF N623 N624	N821 N821C N821F N821CF N823 N824	N822 N822F
1	623948	PANEL RETAINER-LOWER DOOR/6'/BLACK/SDL	X		
	623760	PANEL RETAINER-LOWER DOOR/8'/BLACK/SDL		X	X
	619559	PANEL RETAINER-LOWER DOOR/6'/BLACK/WDL	X		
	619560	PANEL RETAINER-LOWER DOOR/8'/BLACK/WDL		X	X
2	618511	HINGE-DOOR SIDE/TOP RH/BTM LH/BLACK/WDL ONLY	X	X	X
3	619671	HINGE BUSHING-DOOR/WARM GRAY	X	X	X
4	623955	DOOR ASSY-LOWER/6'/PANEL/BLACK FRAME/SDL	X		
	623942	DOOR ASSY-LOWER/8'/PANEL/BLACK FRAME/SDL		X	X
	619629	DOOR ASSY-LOWER/6'/PANEL/BLACK FRAME/WDL	X		
	619631	DOOR ASSY-LOWER/8'/PANEL/BLACK FRAME/WDL		X	X
	632738	DOOR ASSY-LOWER/8'/WRAP/AT BLACK/SDL (S/N 12965198 & BELOW) (USE 634067)		BK	
	634067	DOOR ASSY-LOWER/8'/WRAP/ANCO BLACK/SDL (SERIAL # 12965199 & ABOVE)		BK	
	632733	DOOR ASSY-LOWER/6'/WRAP/AT-SS/SDL (SERIAL # 12965541 & BELOW) (USE 634063)	SS		
	634063	DOOR ASSY-LOWER/6'/WRAP/ANCO-SS/SDL (SERIAL # 12965542 & ABOVE)	SS		
5	619865	DOOR HANDLE ASSY-LOWER DOOR/RH SWING (SERIAL # 965168 & BELOW)	X	X	
	621465	DOOR HANDLE ASSY-UPPER DOOR/LH SWING/PLASTIC (SERIAL # 965169 & ABOVE)	X	X	X
	621104	DOOR HANDLE ASSY-LOWER DOOR/RH SWING (USE 621469)			X
	621469	DOOR HANDLE ASSY LOWER	X	X	X
6	622313	STORAGE LATCH-DOOR/WARM GRAY/PLASTIC DOOR HANDLE	X	X	
	619648	STORAGE LATCH-DOOR/WARM GRAY/METAL DOOR HANDLE	X	X	X
7	624866	WIRE-BIN/SDL	X	X	X
	618578	RAIL-LOWER DOOR/WDL	X	X	X
8	618510	HINGE-DOOR SIDE/TOP LH/BTM RH/BLACK/WDL ONLY	X	X	X

# CABINET AREA (FRONT VIEW) - N62/N82 SERIES



Art00933A

## CABINET AREA (FRONT VIEW) - N62/N82 SERIES

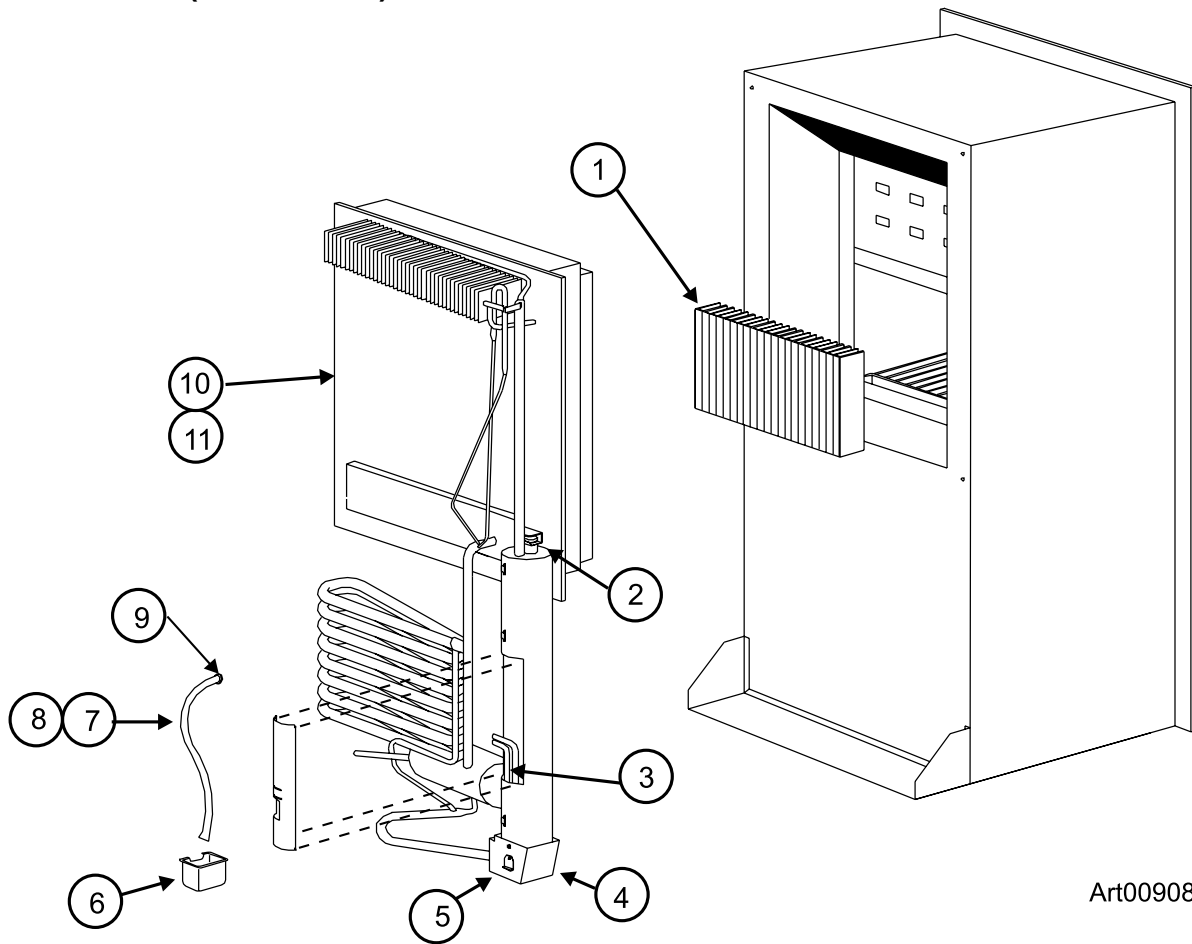
NO.	PART #	DESCRIPTION	N62 SERIES	N82 SERIES
1	622319	TRIM PIECE ASSY-TOP/WITH INSERTS/BLACK (USE 622325)	X	X
2	618170	HOLE PLUG-BLACK (2 PER CABINET)	X	X
3	623771	HINGE-CABINET/3 POINT/TOP RH/BTM LH/PANEL/BLACK/SDL	X	X
	619335	HINGE-CABINET/3 POINT/TOP RH/BTM LH/PANEL/BLACK/WDL (USE 624785)	X	X
	624785	HINGE-CABINET/3POINT 10-32 UL/LR BLACK	X	X
4	622295	TRIM PIECE FOAM TAPE ASSY-CABINET/SIDE/6' (2 PER CABINET)	X	
	622296	TRIM PIECE FOAM TAPE ASSY-CABINET/SIDE/8' (2 PER CABINET)		X
5	620250	SHELF-WIRE/FREEZER (S/N 17945280 AND BELOW)	X	X
	632446	SHELF-WIRE/FREEZER (S/N 17945281 AND ABOVE)	X	X
6	628974	CONTROL ASSY-OPTICAL/BLACK (SERIAL# : N621/N821/N822=9126825 & ABOVE - N623/N823=8970881 & ABOVE) (USE 637778)	X	X
	637778	KIT SERVICE OPTICAL CONTROL REPLACEMENT	X	X
	633292	KIT-CONTROLS ADAPTER (SERIAL#: N621/N821/N822=9126824 & BELOW - N623/N823=8970880 & BELOW) (USE 637779)	X	X
	637779	KIT SERVICE OPTICAL CONTROL REPLACEMENT	X	X
7	619282	FRONT BOX-BLACK	X	X
8	623250	DRIP TRAY-INSIDE	X	X
9	620272	SHELF-WIRE/CUT OUT (USE 632450)	X	X
	632450	SHELF-WIRE/CUT OUT	X	X
10	620273	SHELF-WIRE/FULL (USE 632451)	2	3
	632451	SHELF-WIRE/FULL	2	3
11	618158	CRISPER COVER-GLASS SHELF	X	X
12	618571	CRISPER-WHITE/FULL	X	X
13	618145	HINGE PIN-UPPER HINGE/BLACK/WDL/SDL	X	X
	623899	HINGE PIN-UPPER/LOWER/BLACK/WDL/SDL (USE 638780)	X	X
	638780	KIT SERVICE UPPER HINGE PIN REPLACEMENT	X	X
	61550722	HINGE PIN-BOTTOM/WDL/SDL (USE 638636)	X	X
	638636	KIT SERVICE LWR HINGE PIN REPLACEMENT	X	X
14	619671	HINGE BUSHING-DOOR/WARM GRAY (4 PER REFRIGERATOR)	X	X
15	623772	HINGE-CABINET/3 POINT/TOP LH/BTM RH/PANEL/BLACK/SDL	X	X
	619336	HINGE-CABINET/3 POINT/TOP LH/BTM RH/PANEL/BLACK/WDL	X	X
	624786	HINGE-CABINET/3 POINT/TOP LH/BTM RH/WRAP/BLACK/SDL		X
16	619301	COVER-HINGE HOLES/WHITE/3 POINT	X	X
17	622323	TRIM PIECE FOAM TAPE ASSY-CABINET/BOTTOM	X	X
18	618181	RETAINER-SHELF (SERIAL # 926963 AND BEFORE)	X	X
	622033	RETAINER-SHELF (SERIAL # 926964 AND AFTER)	X	X
19	619561	HOLE PLUG-DIVIDER/WHITE (PRODUCED 03/12/98 TO 07/20/98)	X	X
	620282	HOLE PLUG-DIVIDER/WHITE (PRODUCED 07/21/98 TO 02/14/99)	X	X
20	618167	STRIKE PLATE	X	X
	622325	KIT-INSTALLATION (TRIM PIECES/SCREWS/PLUGS)(NOT SHOWN)	X	X

NOTE: IF THE CONTROL ASSY-OPTICAL HAS BEEN REPLACED WITH A KIT-CONTROL ADAPTOR, THE POWER BOARD MUST BE REPLACED WITH A NEW KIT-CONTROL ADAPTER.



PART NO LONGER AVAILABLE

# CABINET AREA (REAR VIEW) - N62/N82 SERIES



Art00908A

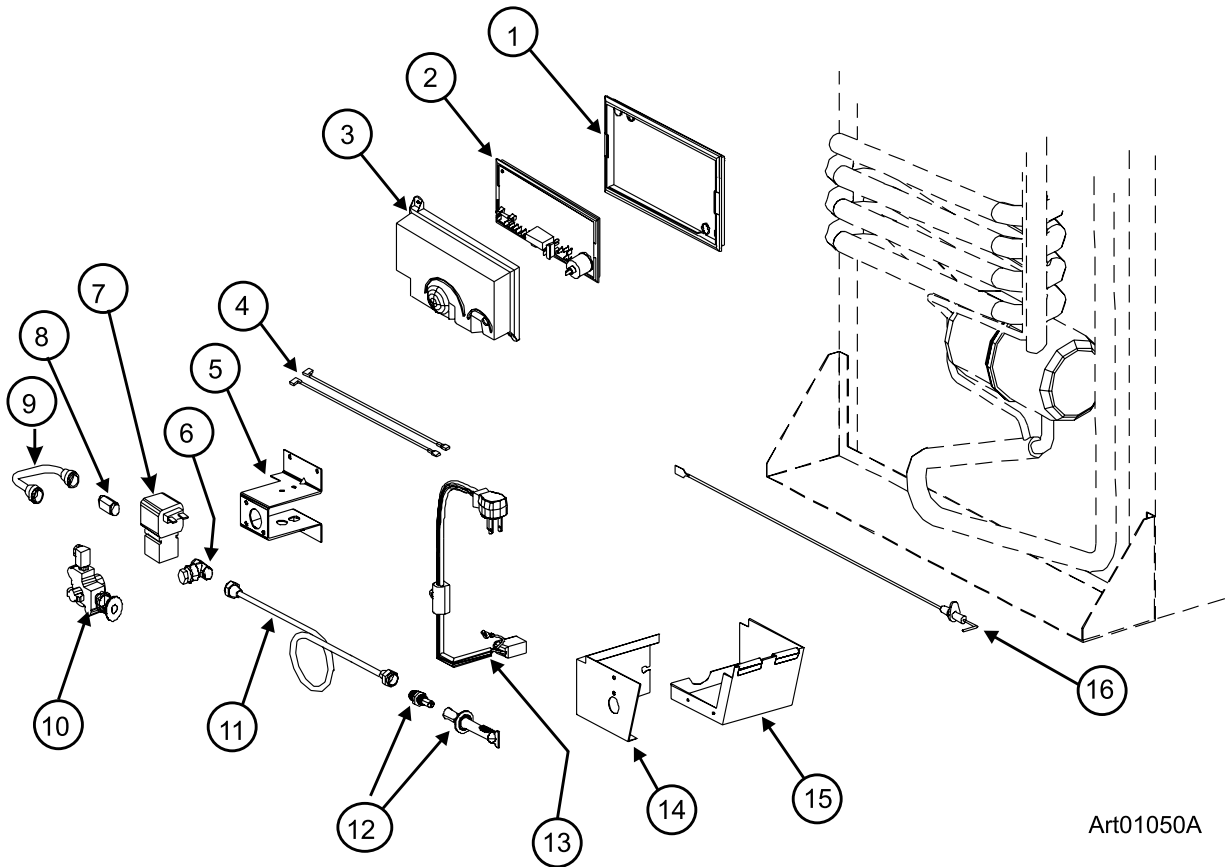
NO.	PART #	DESCRIPTION	N62 SERIES	N82 SERIES
1	61686823	FINS	X	X
2	61695022	CAP-HEAT DEFLECTOR	X	X
3	621702	HEATER-AC (COOLING UNIT SERIAL# 11231023 & BELOW)(USE 638365)	X	
		HEATER-AC (COOLING UNIT SERIAL# 11232007 & BELOW)(USE 638365)		X
	638365	KIT SERVICE HEATER REPLACEMENT	X	X
	630811	HEATER-AC/BACKER (CU SERIAL# 11231024 & ABOVE) (USE 638374)	X	
		HEATER-AC/BACKER (CU SERIAL# 11232008 & ABOVE) (USE 638374)		X
	638374	KIT SERVICE HEATER REPLACEMENT	X	X
4	61695322	BASE-BURNER BOX	X	X
5	61712637	COVER ASSY-BURNER BOX	X	X
6	622546	DRIP CUP-REAR	X	X
7	622390	DRAIN HOSE ASSY	X	
8	622391	DRAIN HOSE ASSY		X
9	61505122	HOSE CLAMP (NOT USED WITH DRAIN HOSE ASSY 622390/622391)	X	X
10	632307	NSC SYSTEM PACK-COOLING UNIT (BACKER HEATER)	X	
11	632314	NSC SYSTEM PACK-COOLING UNIT (BACKER HEATER)		X
NS	2M0802	THERMAL SWITCH/BRACKET ASSY (SEE NOTE)	X	X
NS	618111	BAFFLE DIFFUSER/WIRE ASSY-COOLING UNIT (NOT SHOWN)	X	X
NS	61695022	CAP-HEAT DEFLECTOR (NOT SHOWN)	X	X

NOTE: FOR COOLING UNITS WITH A THERMAL SWITCH.

NO LONGER AVAILABLE

# CONTROLS (REAR VIEW) - MODELS N62/N82 SERIES

NOTE: FOR MODELS MADE WITH A SEPARATE MANUAL SHUT OFF VALVE (SERIAL # 656979 & BELOW).



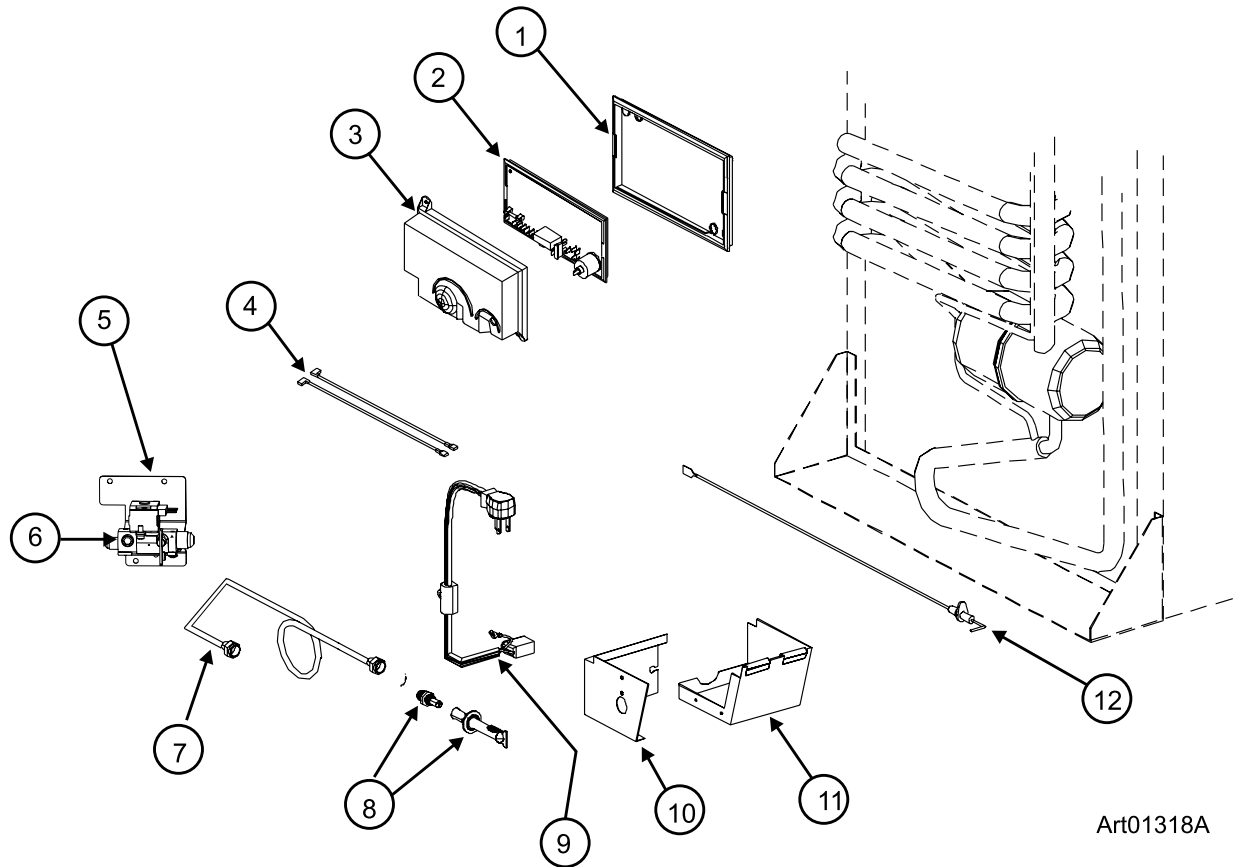
Art01050A

NO.	PART #	DESCRIPTION	N62 SERIES	N82 SERIES
1	618186	BASE-POWER BOARD	X	X
2	632168001	KIT-POWER BOARD	SEE NOTE	SEE NOTE
3	618185	COVER-POWER SUPPLY	X	X
4	621448	WIRE-WHITE/9"/GAS VALVE (2 PER ASSEMBLY)	X	X
5	61694022	BRACKET-MOUNTING/GAS VALVE	X	X
6	61594422	PRESSURE TAP	X	X
	61445322	PLUG-1/8"/FOR PRESSURE TAP	X	X
7	621334	KIT-GAS VALVE/BRACKET/WIRES	X	X
8	61546822	CONNECTOR-MALE	X	X
9	61694622	UNION TUBE	X	X
10	621444	MANUAL SHUT OFF VALVE ASSY	X	X
11	618252	BURNER TUBE	X	X
12	621957	KIT-BURNER/ORIFICE ADAPTER ASSY	X	X
13	61554422	CORD-AC POWER/BLACK	X	X
14	61712637	COVER ASSY-BURNER BOX	X	X
15	61695322	BASE-BURNER BOX	X	X

NOTE: IF THE CONTROL ASSY-OPTICAL HAS BEEN REPLACED WITH A KIT-CONTROL ADAPTOR, THE POWER BOARD MUST BE REPLACED WITH A NEW KIT-CONTROL ADAPTER.

# CONTROLS (REAR VIEW) - N62/N82 SERIES

NOTE: FOR MODELS PRODUCED WITHOUT A SEPARATE MANUAL SHUT OFF VALVE (SERIAL # 656980 & ABOVE)



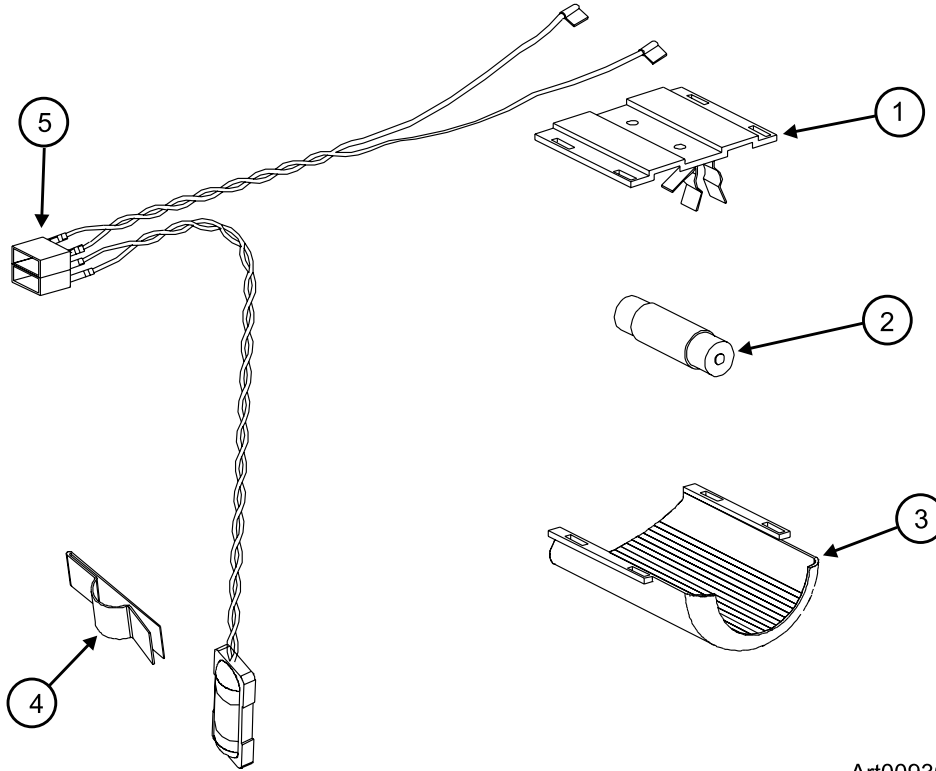
Art01318A

NO.	PART #	DESCRIPTION	N62 SERIES	N82 SERIES
1	628674	BASE-POWER BOARD (SERIAL RANGE: N621/N821/N822=9126825 & ABOVE, N623/N823=8970881 & ABOVE)	X	X
	618186	BASE-POWER BOARD (SERIAL RANGE: N621/N821/N822=9126824 & BELOW, N623/N823=8970880 & BELOW)	X	X
	628661	POWER BOARD (SERIAL RANGE: N621/N821/N822=9126825 & ABOVE, N623/N823=8970881 & ABOVE)	X	X
2	632168001	KIT-POWER BOARD (SERIAL RANGE: N621/N821/N822=9126824 & BELOW, N623/N823=8970880 & BELOW)	SEE NOTE	SEE NOTE
	628677	COVER-POWER BOARD (SERIAL RANGE: N621/N821/N822=9126825 & ABOVE, N623/N823=8970881 & ABOVE)	X	X
3	618185	COVER-POWER BOARD (SERIAL RANGE: N621/N821/N822=9126824 & BELOW, N623/N823=8970880 & BELOW)	X	X
4	621448	WIRE-WHITE/9"/GAS VALVE (2 PER ASSEMBLY)	X	X
5	628993	BRACKET-MOUNTING/GAS VALVE	X	X
6	621334	KIT-GAS VALVE/BRACKET/WIRES (9185698 & BELOW)	X	X
	633726	GAS VALVE-SOLENOID (9185699 & ABOVE)	X	X
7	624682	BURNER TUBE-N8/N6	X	X
8	621957	KIT-BURNER/ORIFICE ADAPTER ASSY	X	X
9	61554422	CORD-AC POWER/BLACK	X	X
10	61712637	COVER ASSY-BURNER BOX	X	X
11	61695322	BASE-BURNER BOX	X	X
12	61692222	ELECTRODE-SPARK/SENSE/SINGLE ELECTRODE/0.25" (USE 638097)	X	X
	638097	KIT SERVICE SPARK SENSE ELECTRODE REPLACEMENT	X	X

NOTE: IF THE CONTROL ASSY-OPTICAL HAS BEEN REPLACED WITH A KIT-CONTROL ADAPTOR, THE POWER BOARD MUST BE REPLACED WITH A NEW KIT-CONTROL ADAPTER.



# INTERIOR LIGHT/THERMISTER ASSY - N62/N82 SERIES



Art00930A

NO.	PART #	DESCRIPTION	N62 SERIES	N82 SERIES
1	61629722	LAMP BRACKET ASSY (USE 638292)	X	X
	638292	KIT SERVICE LAMP BRACKET REPLACEMENT	X	X
2	632545	LAMP-DC LIGHT BULB	X	X
3	621827	COVER-LAMP BRACKET	X	X
4	633734	CLIP-THERMISTER MOUNTING/FIN	X	X
5	618548	LAMP THERMISTER WIRE ASSY	X	X
		NO LONGER AVAILABLE		

## FAN MODEL COMPONENTS - MODELS N621F, N821F, N821V, N822F

NOTE: LOWER FAN POSITION - MODELS WITH SERIAL # BELOW 9056492

PART #	DESCRIPTION	N621F N821F N822F	N821V
618857	BRACKET-DC FAN	1	1
619016	BRACKET-FAN SUPPORT	1	1
61417922	CABLE TIE-NYLON	3	3
618856	FAN-EXTERNAL DC	1	
623442	FAN-EXTERNAL DC/HIGH VELOCITY		1
618093	THERMOSTAT-DC FAN/THERMO DISC	1	1
618950	WIRE MOUNT-ADHESIVE	2	2
621943	WIRE-60" (FAN MODELS)	1	1
621431	WIRE-AUXILLARY/BLACK/POSITIVE (+)	1	1
621430	WIRE-AUXILLARY/RED/NEGATIVE (-)	1	1
618700	WIRE-BLACK/24"/18 GA	1	1
618701	WIRE-RED/36"/18 GA	1	1

NOTE: LOWER FAN POSITION - MODELS WITH SERIAL # 9056492 TO 10089300

PART #	DESCRIPTION	N621F N821F N822F	N821V
618857	BRACKET-DC FAN	1	1
619016	BRACKET-FAN SUPPORT	1	1
61417922	CABLE TIE-NYLON	3	3
618856	FAN-EXTERNAL DC	1	
623442	FAN-EXTERNAL DC/HIGH VELOCITY		1
618093	THERMOSTAT-DC FAN/THERMO DISC	1	1
618950	WIRE MOUNT-ADHESIVE	2	1
621943	WIRE-60" (FAN MODELS)	1	1
628758	WIRE-AUXILLARY/OUTPUT/BLACK	1	1
628759	WIRE-AUXILLARY/OUTPUT/RED	1	1
628999	WIRE-NEGATIVE/AUXILLARY TO Y CONNECTION	1	1
618701	WIRE-RED/36"/18 GA	1	1

NOTE: UPPER FAN POSITION - MODELS WITH SERIAL # ABOVE 10089300

PART #	DESCRIPTION	N621F N821F N822F	N821V
628747	BRACKET-DC FAN	1	1
61417922	CABLE TIE-NYLON	3	3
628685	FAN-EXTERNAL DC	1	
623442	FAN-EXTERNAL DC/HIGH VELOCITY		1
618093	THERMOSTAT-DC FAN/THERMO DISC	1	1
618950	WIRE MOUNT-ADHESIVE	2	2
621943	WIRE-60" (FAN MODELS)	1	1
628758	WIRE-AUXILLARY/OUTPUT/BLACK	1	1
628759	WIRE-AUXILLARY/OUTPUT/RED	1	1
629883	WIRE ASSY	1	1
629882	WIRE ASSY	1	1



# PARTS LIST

## N64/N84 SERIES

### PANEL DOOR BROWN TRIM

N640.3  
N640.3F

### BLACK TRIM

N641  
N641.3  
N641.3F  
N641C  
N641F  
N641IM  
N641IMF

N841  
N841.3  
N841.3F  
N841C  
N841F  
N841IM  
N841IMF  
N841IMV  
N841V

N842  
N842F  
N842IM  
N842IMF

N843IM  
N843IMF

### WRAPPED DOOR BLACK

N641BK  
N641IMBK

N841.3BK  
N841BK  
N841BKF  
N841BKV  
N841IMBK  
N841IMBKF

### WRAPPED DOOR STAINLESS STEEL

N641.3SS  
N641IMSS  
N641IMSSF  
N641SS  
N641SSF

N841.3SS  
N841SS  
N841SSF  
N841IMSS  
N841IMSSF

N842IMSS  
N842IMSSF  
N842SS  
N842SSF

N843IMSS  
N843IMSSF

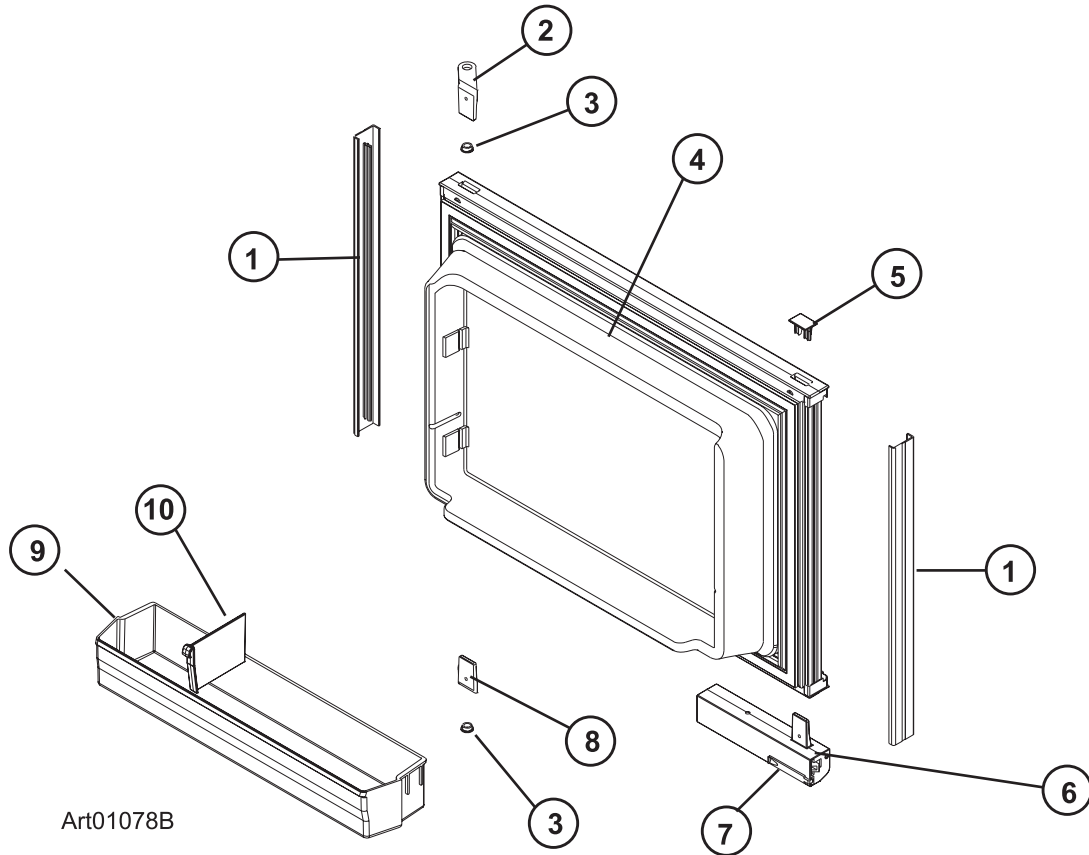
### WRAPPED DOOR WHITE

N641WH  
N641.3WH

N841.3WH  
N841IMWH

NO  
LONGER  
PRODUCED

# UPPER DOOR (FREEZER) - PANEL TYPE - MODEL SERIES N64/N84



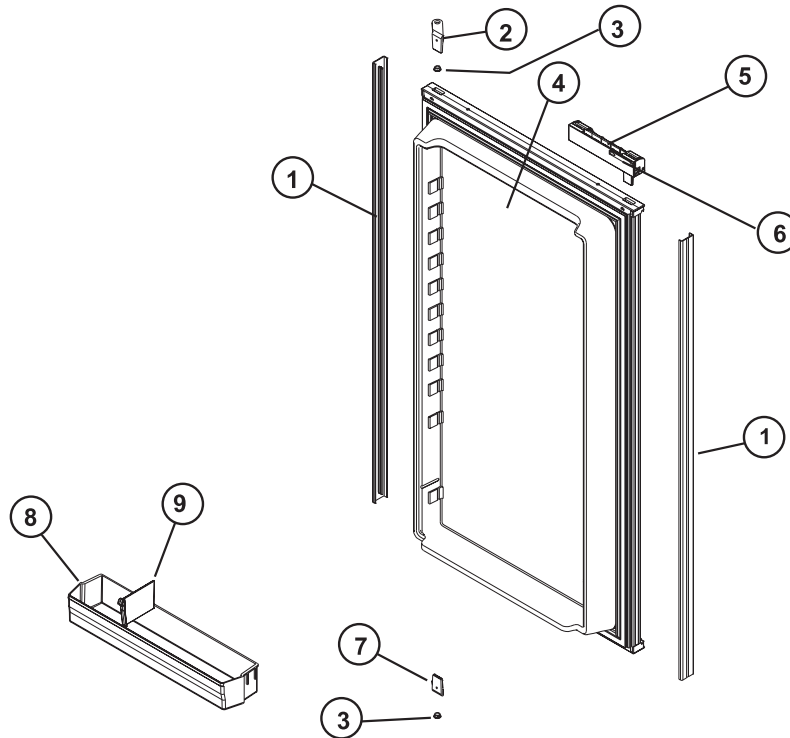
Art01078B

NO.	PART #	DESCRIPTION	(SERIES)	N640	N641	N841	N842	N843
1	623943	PANEL RETAINER-UPPER/BLACK/SDL (2 PER DOOR)		N641		N841	N842	N843
	624797	PANEL RETAINER-UPPER/BROWN/SDL (2 PER DOOR)		N640				
	619558	PANEL RETAINER-UPPER/BLACK/WDL (2 PER DOOR)		N641		N841	N842	N843
	622906	PANEL RETAINER-UPPER/BROWN/WDL (2 PER DOOR)		N640				
2	618511	HINGE-DOOR SIDE/TOP RH/BTM LH/BLACK/WDL		N641		N841	N842	N843
	622924	HINGE-DOOR SIDE/TOP RH/BTM LH/BROWN/WDL		N640				
3	619671	HINGE BUSHING-DOOR/WARM GRAY/WDL (2 PER DOOR)		ALL		ALL	ALL	ALL
4	623945	DOOR LINER ASSY-UPPER/PANEL/BLACK FRAME/SDL		N641		N841	N842	N843
	624813	DOOR LINER ASSY-UPPER/PANEL/BROWN FRAME/SDL		N640				
	619627	DOOR LINER ASSY-UPPER/PANEL/BLACK FRAME/WDL		N641		N841	N842	N843
	622897	DOOR LINER ASSY-UPPER/PANEL/BROWN FRAME/WDL		N640				
5	618160	CAP-HINGE PLUG/BLACK		N641		N841	N842	N843
	622989	CAP-HINGE PLUG/BROWN		N640				
6	621469	DOOR HANDLE ASSY-UPPER DOOR/RH SWING/PLASTIC/BLACK		N641		N841		N843
	622916	DOOR HANDLE ASSY-UPPER DOOR/RH SWING/PLASTIC/BROWN		N640				
	621105	DOOR HANDLE ASSY-UPPER DOOR/RH SWING/BLACK					N842	
	619866	DOOR HANDLE ASSY-UPPER DOOR/RH SWING/METAL/BLACK		N641		N841		N843
	622910	DOOR HANDLE ASSY-UPPER DOOR/RH SWING/METAL/BROWN		N640				
7	619648	LATCH-STORAGE/DOOR/METAL HANDLE/WARM GRAY		ALL		ALL	ALL	ALL
	622313	LATCH-STORAGE/DOOR/PLASTIC HANDLE/WARM GRAY		N641		N841		N843
8	618510	HINGE-DOOR SIDE/TOP LH/BTM RH/BLACK/WDL		N641		N841	N842	N843
	622923	HINGE-DOOR SIDE/TOP LH/BTM RH/BROWN/WDL		N640				
9	619006	BIN-DOOR SHELF/SMALL/CLEAR/WDL (1 PER DOOR)		ALL		ALL	ALL	ALL
	624864	BIN-DOOR SHELF/CLEAR/SDL (1 PER DOOR)		ALL		ALL	ALL	ALL
10	619008	DIVIDER-DOOR BIN/CLEAR/WDL/SDL (1 PER DOOR SHELF BIN)		ALL		ALL	ALL	ALL
NS	619569	BOLT-CAP SHOULDER/TORX HEAD (NOT SHOWN)		ALL		ALL	ALL	ALL

WDL = WAFFLE DOOR LINER SURFACE

SDL = SMOOTH DOOR LINER SURFACE

# LOWER DOOR (FRESH FOOD) - PANEL TYPE - MODEL SERIES N64/N84



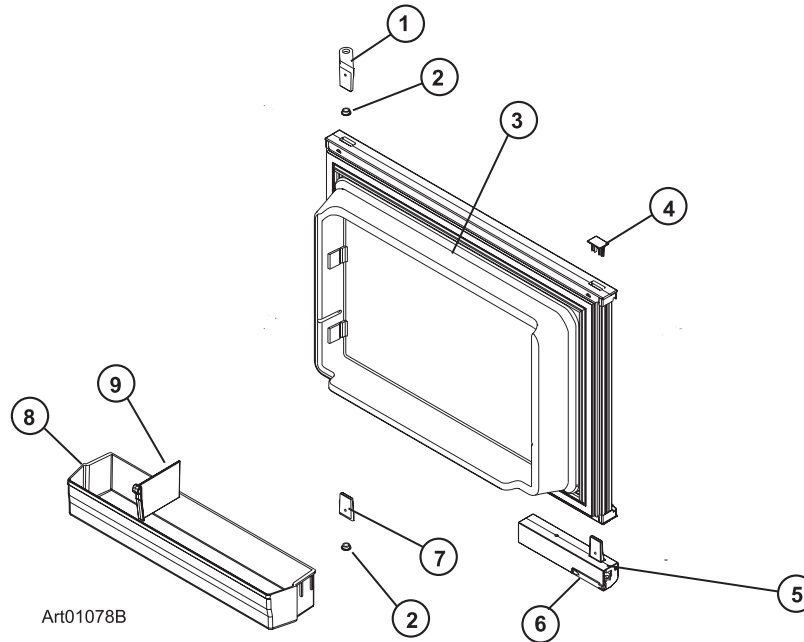
Art01079B

NO.	PART #	DESCRIPTION	(SERIES)	N640	N641	N841	N842	N843
1	623948	PANEL RETAINER-LOWER DOOR/6'/BLACK/SDL (2 PER DOOR)		N641				
	624799	PANEL RETAINER-LOWER DOOR/6'/BROWN/SDL (2 PER DOOR)		N640				
	623760	PANEL RETAINER-LOWER DOOR/8'/BLACK/SDL (2 PER DOOR)				N841	N842	N843
	619559	PANEL RETAINER-LOWER DOOR/6'/BLACK/WDL (2 PER DOOR)		N641				
	622907	PANEL RETAINER-LOWER DOOR/6'/BROWN/WDL (2 PER DOOR)		N640				
	619560	PANEL RETAINER-LOWER DOOR/8'/BLACK/WDL (2 PER DOOR)				N841	N842	N843
2	618511	HINGE-DOOR SIDE/TOP RH/BTM LH/BLACK/WDL		N641	N841	N842	N843	
	622924	HINGE-DOOR SIDE/TOP RH/BTM LH/BROWN/WDL		N640				
3	619671	HINGE BUSHING-DOOR/WARM GRAY (2 PER DOOR)		ALL	ALL	ALL	ALL	
4	623955	DOOR ASSY-LOWER/6'/PANEL/BLACK FRAME/SDL		N641				
	624812	DOOR ASSY-LOWER/6'/PANEL/BROWN FRAME/SDL		N640				
	623942	DOOR ASSY-LOWER/8'/PANEL/BLACK FRAME/SDL				N841	N842	N843
	619629	DOOR ASSY-LOWER/6'/PANEL/BLACK FRAME/WDL		N641				
	622898	DOOR ASSY-LOWER/6'/PANEL/BROWN FRAME/WDL		N640				
	619631	DOOR ASSY-LOWER/8'/PANEL/BLACK FRAME/WDL				N841	N842	N843
5	621465	DOOR HANDLE ASSY-LOWER DOOR/RH SWING/PLASTIC/BLACK		N641	N841			N843
	622915	DOOR HANDLE ASSY-LOWER DOOR/RH SWING/PLASTIC/BROWN		N640				
	621104	DOOR HANDLE ASSY-LOWER DOOR/RH SWING (N822/N842)					N842	
	619865	DOOR HANDLE ASSY-LOWER DOOR/RH SWING/METAL/BLACK		N641	N841			N843
	622909	DOOR HANDLE ASSY-LOWER DOOR/RH SWING/METAL/BROWN		N640				
6	622313	LATCH-STORAGE/DOOR/PLASTIC HANDLE/WARM GRAY		ALL	ALL			ALL
	619648	LATCH-STORAGE/DOOR/METAL HANDLE/WARM GRAY		ALL	ALL	ALL	ALL	ALL
7	618510	HINGE-DOOR SIDE/TOP LH/BTM RH/BLACK/WDL		N641	N841	N842	N843	
	622923	HINGE-DOOR SIDE/TOP LH/BTM RH/BROWN/WDL		N640				
8	624864	BIN-DOOR SHELF/CLEAR/SDL		2	3	3	3	
NS	624866	WIRE-BIN/SDL		ALL	ALL	ALL	ALL	ALL
	619006	BIN-DOOR SHELF/SMALL/CLEAR/WDL		2	3	3	3	
	619005	BIN-DOOR SHELF/LARGE/CLEAR/WDL		1	1	1	1	
9	619008	DIVIDER-DOOR BIN/CLEAR (1 PER DOOR SHELF BIN)		ALL	ALL	ALL	ALL	
NS	619569	BOLT-CAP SHOULDER/TORX HEAD (NOT SHOWN)		ALL	ALL	ALL	ALL	

WDL = WAFFLE DOOR LINER SURFACE

SDL = SMOOTH DOOR LINER SURFACE

# UPPER DOOR (FREEZER) - WRAP TYPE - MODEL SERIES N64/N84



Art01078B

NO.	PART #	DESCRIPTION	N641	N841	N842	N843
1	618511	HINGE-DOOR SIDE/TOP RH/BTM LH/BLACK/SDL/WDL	ALL	ALL	ALL	ALL
2	619671	HINGE BUSHING-DOOR/WARM GRAY (2 PER DOOR)	ALL	ALL	ALL	ALL
3	624142	DOOR ASSY-UPPER/BLACK/VINYL COAT/WDL (SERIAL # 1315387 & BELOW) (USE 625874)		BK		
	625874	DOOR ASSY-UPPER/BLACK/POWDER COAT/WDL (SERIAL# 1315388 & ABOVE)	BK	BK	BK	BK
	627121	DOOR ASSY-UPPER/WRAP/BLACK/SDL (USE 632732)	BK	BK		
	632732	DOOR ASSY-UPPER/AT BLACK/SDL (FROM 07/10/08 THRU SERIAL # 12965198)	BK	BK		
	634065	DOOR ASSY-UPPER/ANCO BLACK/SDL (SERIAL # 12965199 & ABOVE)	BK	BK		
	623272	DOOR ASSY-UPPER/WRAP/STAINLESS/WDL		SS	SS	SS
	627102	DOOR ASSY-UPPER/WRAP/AL-CLEAN STAINLESS/SDL (USE 630091)	SS	SS	SS	SS
	630091	DOOR ASSY-UPPER/WRAP/VALSPAR STAINLESS/SDL	SS	SS	SS	SS
	632731	DOOR ASSY-6' UPPER/WRAP/AT STAINLESS/SDL (06/25/08 THRU S/N 12965541) (USE 634062)	SS			
		DOOR ASSY-8' UPPER/WRAP/AT STAINLESS/SDL (06/25/08 THRU S/N 12985380) (USE 634062)		SS	SS	SS
	634062	DOOR ASSY-6' UPPER/WRAP/ANCO STAINLESS/SDL (SERIAL # 12965542 & ABOVE)	SS			
		DOOR ASSY-8' UPPER/WRAP/ANCO STAINLESS/SDL (SERIAL # 12985381 & ABOVE)		SS	SS	SS
	627120	DOOR ASSY-UPPER/WRAP/WHITE/SDL	WH	WH		
624143	DOOR ASSY-UPPER/WRAP/WHITE/WDL	WH	WH	WH	WH	
4	618160	CAP-HINGE PLUG/BLACK	ALL	ALL	ALL	ALL
5	621469	DOOR HANDLE ASSY-UPPER DOOR/RH SWING/PLASTIC/BLACK	ALL	ALL		ALL
	621105	DOOR HANDLE ASSY-UPPER DOOR/RH SWING/BLACK			ALL	
	619866	DOOR HANDLE ASSY-UPPER DOOR/RH SWING/METAL/BLACK	ALL	ALL		ALL
6	622313	LATCH-STORAGE/DOOR/PLASTIC HANDLE/WARM GRAY	ALL	ALL		ALL
	619648	LATCH-STORAGE/DOOR/METAL HANDLE/WARM GRAY	ALL	ALL	ALL	ALL
7	618510	HINGE-DOOR SIDE/TOP LH/BTM RH/BLACK/SDL/WDL	ALL	ALL	ALL	ALL
8	624864	BIN-DOOR SHELF/CLEAR/SDL (1 PER DOOR)	ALL	ALL	ALL	ALL
	619006	BIN-DOOR SHELF/SMALL/CLEAR/WDL (1 PER DOOR)	ALL	ALL	ALL	ALL
9	619008	DIVIDER-DOOR BIN/CLEAR (1 PER DOOR SHELF BIN)	ALL	ALL	ALL	ALL
NS	619569	BOLT-CAP SHOULDER/TORX HEAD (NOT SHOWN)	ALL	ALL	ALL	ALL

BK = BLACK WRAPPED DOORS

SS = STAINLESS STEEL WRAPPED DOORS

WH = WHITE WRAPPED DOORS

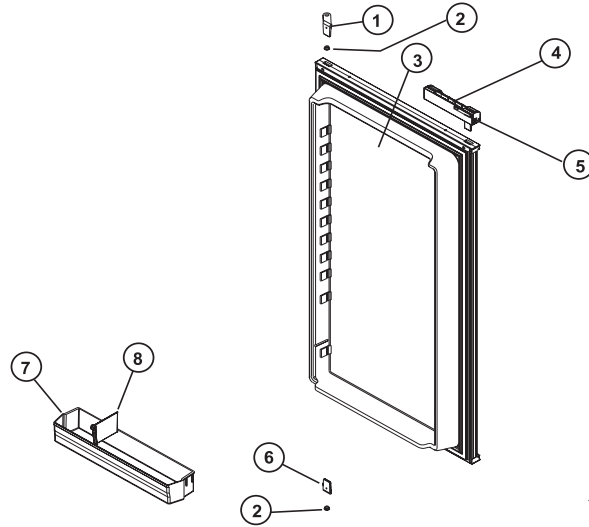
WDL = WAFFLE DOOR LINER SURFACE

SDL = SMOOTH DOOR LINER SURFACE



PART IS NO LONGER AVAILABLE

# LOWER DOOR (FRESH FOOD) - WRAP TYPE - MODEL SERIES N64/N84



Art01079B

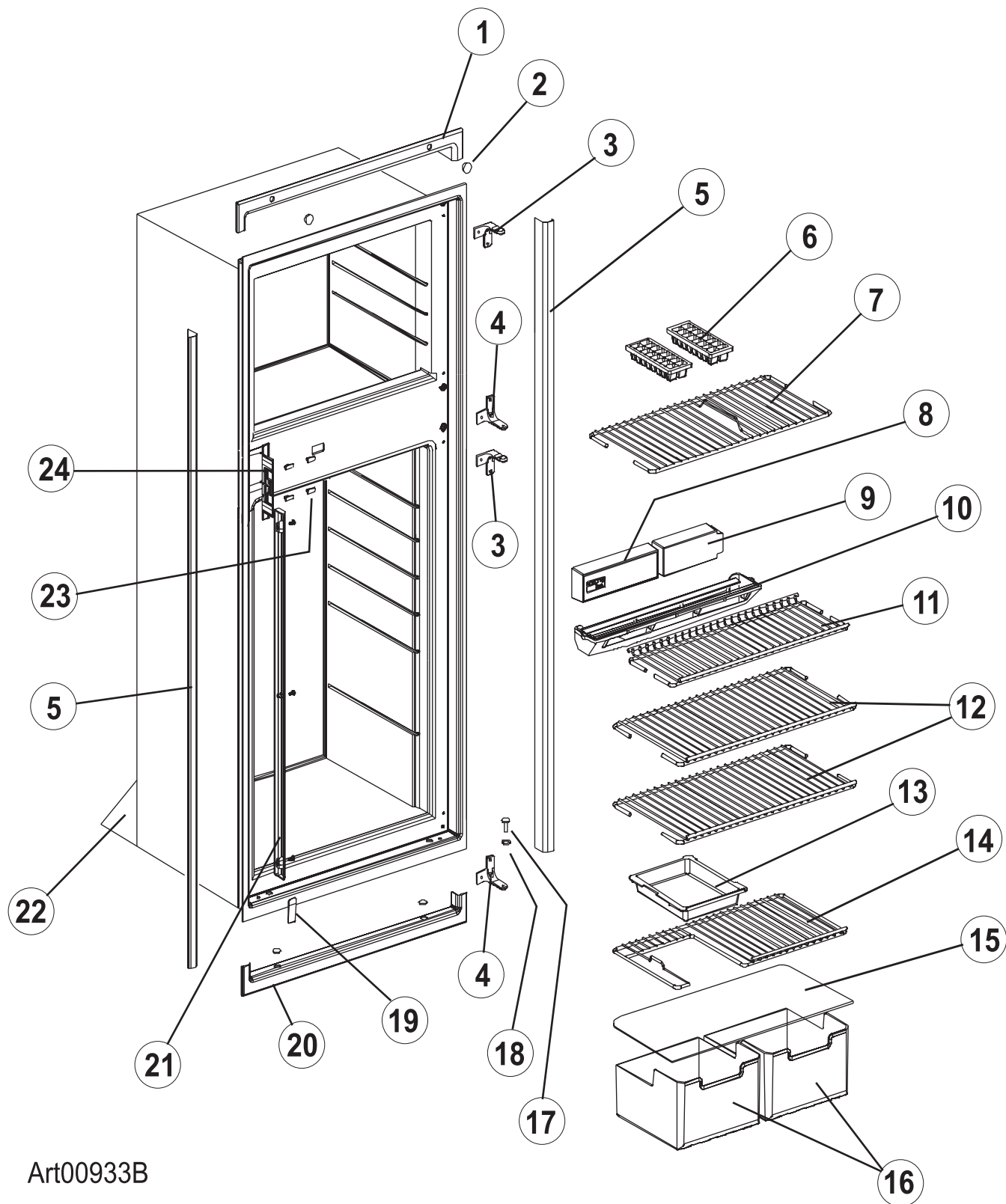
NO.	PART #	DESCRIPTION	N641	N841	N842	N843
1	618511	HINGE-DOOR SIDE/TOP RH/BTM LH/BLACK	ALL	ALL	ALL	ALL
2	619671	HINGE BUSHING-DOOR/WARM GRAY (2 PER DOOR)	ALL	ALL	ALL	ALL
3	625876	DOOR ASSY-LOWER/6'/WRAP/BLACK/POWDER COAT/WDL	BK			
	627125	DOOR ASSY-LOWER/6'/WRAP/BLACK/SDL	BK			
	632734	DOOR ASSY-LOWER/6'/WRAP/AT BLACK/SDL (FROM 07/10/08 THRU SERIAL # 12965198) (USE 634066)	BK			
	634066	DOOR ASSY-LOWER/6'/WRAP/ANCO BLACK/SDL (SERIAL # 12965199 & ABOVE)	BK			
	624144	DOOR ASSY-LOWER/8'/WRAP/BLACK/VINYL COAT/WDL (SERIAL # 1315387 & BELOW) (USE 625875)		BK		
	625875	DOOR ASSY-LOWER/8'/WRAP/BLACK/WDL/POWDER COAT (SERIAL# 1315388 & ABOVE)		BK		
	627129	DOOR ASSY-LOWER/8'/WRAP/BLACK/SDL (USE 634067)		BK		
	632738	DOOR ASSY-LOWER/8'/WRAP/AT BLACK/SDL (07/10/08 THRU S/N 12965198) (USE 634067)		BK		
	634067	DOOR ASSY-LOWER/8'/WRAP/ANCO BLACK/SDL (SERIAL # 12965199 & ABOVE)		BK		
	624147	DOOR ASSY-LOWER/6'/WRAP/STAINLESS/WDL	SS			
	627103	DOOR ASSY-LOWER/6'/WRAP/AL-CLEAN STAINLESS/SDL (USE 632733)	SS			
	630092	DOOR ASSY-LOWER/6'/WRAP/VALSPAR STAINLESS/SDL (USE 623733)	SS			
	632733	DOOR ASSY-LOWER/6'/WRAP/AT STAINLESS/SDL (FROM 06/25/08 THRU S/N 12965541) (USE 634063)	SS			
	634063	DOOR ASSY-LOWER/6'/WRAP/ANCO STAINLESS/SDL (SERIAL # 12965542 & ABOVE)	SS			
	623273	DOOR ASSY-LOWER/8'/WRAP/STAINLESS/WDL		SS	SS	SS
	627104	DOOR ASSY-LOWER/8'/WRAP/AL-CLEAN STAINLESS/SDL (USE 634064)		SS	SS	SS
	630093	DOOR ASSY-LOWER/8'/WRAP/VALSPAR STAINLESS/SDL (USE 634064)		SS	SS	SS
	632737	DOOR ASSY-LOWER/8'/WRAP/AT STAINLESS/SDL (FROM 06/25/08 THRU S/N 12985380) (USE 634064)		SS	SS	SS
	634064	DOOR ASSY-LOWER/8'/WRAP/ANCO STAINLESS/SDL (SERIAL # 12985381 & ABOVE)		SS	SS	SS
	624149	DOOR ASSY-LOWER/6'/WRAP/WHITE/WDL	WH			
627124	DOOR ASSY-LOWER/6'/WRAP/WHITE/SDL	WH				
624145	DOOR ASSY-LOWER/8'/WRAP/WHITE/WDL		WH			
627128	DOOR ASSY-LOWER/8'/WRAP/WHITE/SDL		WH			
4	621465	DOOR HANDLE ASSY-LOWER DOOR/RH SWING/PLASTIC/BLACK	ALL	ALL		ALL
	621104	DOOR HANDLE ASSY-LOWER DOOR/RH SWING (N822/N842)			ALL	ALL
	619865	DOOR HANDLE ASSY-LOWER DOOR/RH SWING/METAL/BLACK	ALL	ALL	ALL	ALL
5	619648	LATCH-STORAGE/DOOR/METAL HANDLE/WARM GRAY	ALL	ALL	ALL	ALL
6	618510	HINGE-DOOR SIDE/TOP LH/BTM RH/BLACK	ALL	ALL	ALL	ALL
7	624864	BIN-DOOR SHELF/CLEAR/SDL	3	4	4	4
	632458	WIRE-BIN/SDL (NOT SHOWN)	1	1	1	1
	619006	BIN-DOOR SHELF/SMALL/CLEAR/WDL (2 PER N64 DOOR)(3 PER N84 DOOR)	2	3	3	3
NS	619005	BIN-DOOR SHELF/LARGE/CLEAR/WDL (1 PER DOOR)	1	1	1	1
	619008	DIVIDER-DOOR BIN/CLEAR (1 PER DOOR SHELF BIN)	3	4	4	4
NS	619569	BOLT-CAP SHOULDER/TORX HEAD (NOT SHOWN)	ALL	ALL	ALL	ALL

BK = BLACK WRAPPED DOORS      SS = STAINLESS STEEL WRAPPED DOORS      WH = WHITE WRAPPED DOORS

WDL = WAFFLE DOOR LINER SURFACE      SDL = SMOOTH DOOR LINER SURFACE

PART IS NO LONGER AVAILABLE

CABINET AREA (FRONT VIEW) - MODEL SERIES N64/N84



Art00933B



## CABINET AREA (FRONT VIEW) - MODEL SERIES N64/N84

NO.	PART #	DESCRIPTION	N640 N641	N841	N842	N843
1	622319	TRIM PIECE ASSY-TOP/WITH INSERTS/BLACK (USE 622325)	N641	N841	N842	N843
	622931	TRIM PIECE ASSY-TOP/WITH INSERTS/BROWN (USE 622926)	N640			
2	618170	HOLE PLUG-FOR TOP TRIM PIECE/BLACK (2 PER CABINET)	N641	N841	N842	N843
	622930	HOLE PLUG-FOR TOP TRIM PIECE/BROWN (2 PER CABINET)	N640			
3	624785	HINGE-3 POINT/TOP RH/BTM LH/WRAP/BLACK/SDL (2 PER CABINET)	N641	N841	N842	N843
	623771	HINGE-3 POINT/TOP RH/BTM LH/PANEL/BLACK/SDL (2 PER CABINET)	N641	N841	N842	N843
	624787	HINGE-3 POINT/TOP RH/BTM LH/PANEL/BROWN/SDL (2 PER CABINET)	N640			
	619335	HINGE-3 POINT/TOP RH/BTM LH/PANEL/BLACK/WDL (2 PER CABINET) (USE 624785)	N641	N841	N842	N843
	622885	HINGE-3 POINT/TOP RH/BTM LH/PANEL/BROWN/WDL (2 PER CABINET)	N640			
4	624786	HINGE-3 POINT/TOP LH/BTM RH/WRAP/BLACK/SDL (2 PER CABINET)	N641	N841	N842	N843
	623772	HINGE-3 POINT/TOP LH/BTM RH/PANEL/BLACK/SDL (2 PER CABINET)	N641	N841	N842	N843
	624789	HINGE-3 POINT/TOP LH/BTM RH/PANEL/BLACK/SDL (2 PER CABINET)	N640			
	619336	HINGE-3 POINT/TOP LH/BTM RH/PANEL/BLACK/WDL (2 PER CABINET)	N641	N841	N842	N843
	622886	HINGE-3 POINT/TOP LH/BTM RH/PANEL/BLACK/WDL (2 PER CABINET)	N640			
5	622295	TRIM PIECE FOAM TAPE ASSY-SIDE/6'/BLACK (2 PER CABINET)	N641			
	623516	TRIM PIECE FOAM TAPE ASSY-SIDE/6'/BROWN (2 PER CABINET)	N640			
	622296	TRIM PIECE FOAM TAPE ASSY-SIDE/8'/BLACK (2 PER CABINET)		N841	N842	N843
6	61630422	ICE CUBE TRAY-(NON ICE MAKER MODELS ONLY)(2 PER CABINET)	ALL	ALL	ALL	
7	620249	SHELF-WIRE/FREEZER (ICE MAKER MODELS)	ALL	ALL	ALL	ALL
	620250	SHELF-WIRE/FREEZER (NON ICEMAKER) (S/N 17945280 AND BELOW)	ALL	ALL	ALL	
	632446	SHELF-WIRE/FREEZER (NON ICEMAKER) (S/N 17945281 AND ABOVE)	ALL	ALL	ALL	
8	628976	CONTROL ASSY-OPTICAL/BLACK (SERIAL# EG2=9044284 & ABOVE - EG3=8938728 & ABOVE) (USE 637780)	N641	N841	N842	N843
	637780	KIT SERVICE OPTICAL CONTROL REPLACEMENT	N641	N841	N842	N843
	629794	CONTROL ASSY-OPTICAL/BROWN (SERIAL# EG2=9044284 & ABOVE - EG3=8938728 & ABOVE) (USE 637781)	N640			
	637781	KIT SERVICE OPTICAL CONTROL REPLACEMENT	N640			
	619665	CONTROL ASSY-OPTICAL/BLACK (LIMITED AVAILABILITY) (SERIAL# EG2=9044283 & BELOW - EG3=8938727 & BELOW) (USE 637782)	N641	N841	N842	N843
	637782	KIT SERVICE OPTICAL CONTROL REPLACEMENT	N641	N841	N842	N843
	633287	KIT-CONTROLS ADAPTER-BLACK/EG2 (SERIAL# = 9044283 & BELOW) (USE 637783)	N641	N841	N842	N843
	637783	KIT SERVICE OPTICAL CONTROL REPLACEMENT	N641	N841	N842	N843
	633280	KIT-CONTROLS ADAPTER-BLACK/EG3 (SERIAL# = 8938727 & BELOW) (USE 637784)	N641	N841		
	637784	KIT SERVICE OPTICAL CONTROL REPLACEMENT	N641	N841		
	633207	KIT-CONTROLS ADAPTER-BROWN/EG3 (SERIAL# = 8938727 & BELOW) (USE 637785)	N640			
637785	KIT SERVICE OPTICAL CONTROL REPLACEMENT	N640				
9	619282	FRONT BOX-BLACK	N641	N841	N842	N843
	622896	FRONT BOX-LIGHT BROWN (USE 622002)	N640			
	622002	FRONT BOX-BLACK	N640			
10	623250	DRIP TRAY-INSIDE (ONE PIECE DRIP TRAY & LOUVER)	ALL	ALL	ALL	ALL
11	620269	SHELF-WIRE/SHORT (S/N 17945280 AND BELOW)	ALL	ALL	ALL	ALL
	632448	SHELF-WIRE/SHORT (S/N 17945281 AND ABOVE)	ALL	ALL	ALL	ALL
12	620270	SHELF-WIRE/FULL (S/N 17945280 AND BELOW)	1	1	2	2
	632449	SHELF-WIRE/FULL (S/N 17945281 AND ABOVE)	1	1	2	2
13	617756	TRAY-SHELF/WHITE/CUT OUT	ALL	ALL	ALL	ALL

**CABINET AREA (FRONT VIEW) - MODEL SERIES N64/N84**

14	620268	SHELF-WIRE/CUT OUT (S/N 17945280 AND BELOW)	ALL	ALL	ALL	ALL
	632447	SHELF-WIRE/CUT OUT (S/N 17945281 AND ABOVE)	ALL	ALL	ALL	ALL
15	618158	CRISPER COVER-GLASS SHELF	ALL	ALL	ALL	ALL
16	619007	BIN-ICE/CRISPER/CLEAR (2 PER MODEL)(3 PER ICE MAKER MODEL)	ALL	ALL	ALL	ALL
17	618145	HINGE PIN-DOOR/BLACK (4 PER)/WDL PANEL/SDL WRAP)	N641	N841	N842	N843
	622925	HINGE PIN-DOOR/PANEL/BROWN (4 PER REFRIGERATOR)	N640			
	623899	HINGE PIN-UPPER/LOWER/BLACK/SDL PANEL (USE 638780)	N641	N841	N842	N843
	638780	KIT SERVICE UPPER HINGE PIN REPLACEMENT	N641	N841	N842	N843
	61550722	HINGE PIN-BOTTOM/WDL/SDL (USE 638636)	N641	N841	N842	N843
	638636	KIT SERVICE LWR HINGE PIN REPLACEMENT	N641	N841	N842	N843
18	619671	HINGE BUSHING-DOOR/WARM GRAY (4 PER REFRIGERATOR)	ALL	ALL	ALL	ALL
19	619301	COVER-HINGE HOLE/WHITE/3 POINT (2 PER CABINET)	ALL	ALL	ALL	ALL
20	622323	TRIM PIECE FOAM TAPE ASSY-CABINET/BOTTOM/BLACK	N641	N841	N842	N843
	622927	TRIM PIECE FOAM TAPE ASSY-CABINET/BOTTOM/BROWN (USE 622926)	N640			
21	618181	RETAINER-SHELF (SERIAL # 926963 AND BELOW)	N641	ALL	ALL	ALL
	622033	RETAINER-SHELF (SERIAL # 926964 AND ABOVE)	ALL	ALL	ALL	ALL
22	61586722	BRACE-CABINET/BACK	ALL	ALL	ALL	ALL
23	619561	HOLE PLUG-DIVIDER/WHITE (MODELS PRODUCED PRIOR TO 07/21/98)	N641	N841		
	620282	HOLE PLUG-DIVIDER/WHITE (MODELS PRODUCED AFTER 07/20/98)	ALL	ALL	ALL	ALL
24	618167	STRIKE PLATE-BLACK	N641	N841	N842	N843
	619673	STRIKE PLATE-WARM GRAY	N640			
NS	622325	KIT-INSTALLATION/BLACK (TRIM PIECES/SCREWS/PLUGS)(NOT SHOWN)	N641	N841	N842	N843
NS	622926	KIT-INSTALLATION/BROWN (TRIM PIECES/SCREWS/PLUGS)(NOT SHOWN)	N640			

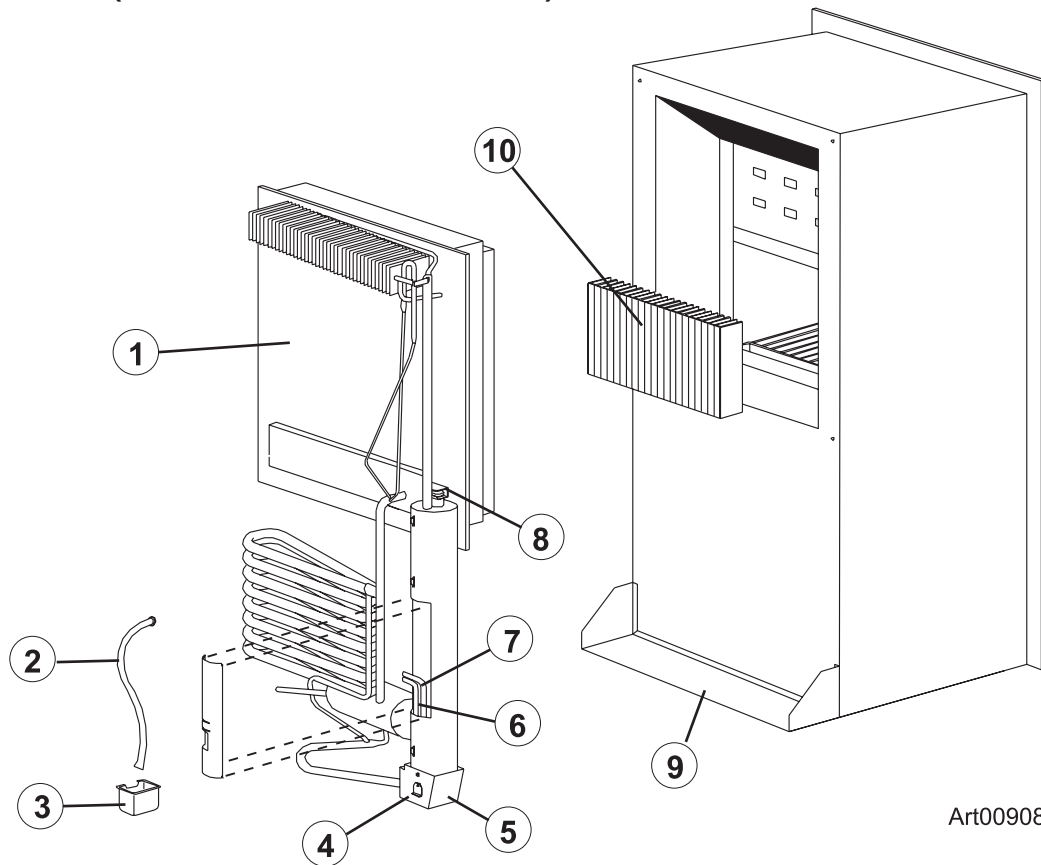
PART IS NO LONGR AVAILABLE

WDL = WAFFLE DOOR LINER SURFACE

SDL = SMOOTH DOOR LINER SURFACE

NOTE: IF THE CONTROL ASSY-OPTICAL HAS BEEN REPLACED WITH A KIT-CONTROL ADAPTOR, THE POWER BOARD MUST BE REPLACED WITH A NEW KIT-CONTROL ADAPTER.

# CABINET AREA (REAR VIEW/COOLING UNIT) - MODEL SERIES N64/N84



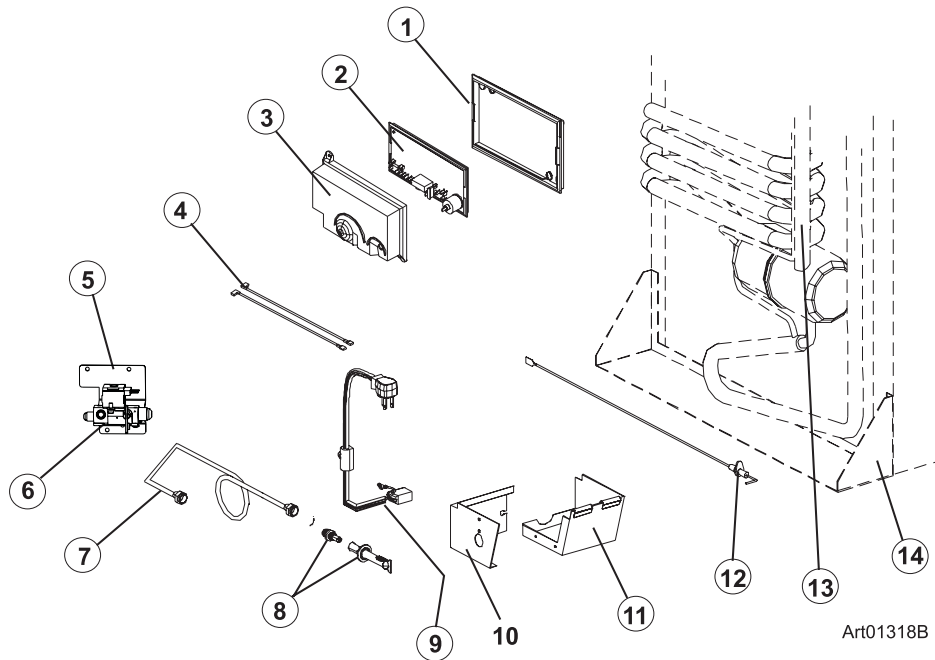
Art00908B

NO.	PART #	DESCRIPTION	(SERIES)	N640 N641	N841	N842	N843
1	632307	NSC SYSTEM PACK-COOLING UNIT (BACKER HEATER)		X			
	632314	NSC SYSTEM PACK-COOLING UNIT (BACKER HEATER)			X	X	X
	2M0802	THERMAL SWITCH/BRACKET ASSY (SEE NOTE)		X	X	X	X
NS	618111	BAFFLE/WIRE ASSY (NOT SHOWN)		X	X	X	X
2	622390	DRAIN HOSE ASSY		X			
	622391	DRAIN HOSE ASSY			X	X	X
	622857	KIT-DRAIN HOSE REPAIR		X	X	X	X
3	622546	DRIP CUP-REAR/PLASTIC		X	X	X	X
4	61712637	COVER ASSY-BURNER BOX		X	X	X	X
5	61695322	BASE-BURNER BOX		X	X	X	X
6	621702	HEATER-AC (COOLING UNIT SERIAL# 11231023 & BELOW)		X			
		HEATER-AC (COOLING UNIT SERIAL# 11232007 & BELOW)			X	X	X
	630811	HEATER-AC/BACKER (COOLING UNIT SERIAL# 11231024 & ABOVE)		X			
		HEATER-AC/BACKER (COOLING UNIT SERIAL# 11232008 & ABOVE)			X	X	X
7	626832	HEATER-DC (COOLING UNIT SERIAL# 11231023 & BELOW)		EG3			
		HEATER-DC (COOLING UNIT SERIAL# 11232007 & BELOW)			EG3	EG3	EG3
	630812	HEATER-DC/BACKER (COOLING UNIT SERIAL# 11231024 & ABOVE)		EG3			
		HEATER-DC/BACKER (COOLING UNIT SERIAL# 11232008 & ABOVE)			EG3	EG3	EG3
8	61695022	CAP-HEAT DEFLECTOR		X	X	X	X
9	61586722	BRACE-CABINET/BACK		X	X	X	X
10	61686823	FINS		X	X	X	X

NOTE: FOR COOLING UNITS WITH A THERMAL SWITCH.

# CONTROLS (REAR VIEW) - MODEL SERIES N640.3, N641, N841, N842, N843

NOTE: FOR MODELS PRODUCED WITHOUT A SEPARATE MANUAL SHUT OFF VALVE (SERIAL # 656980 & AFTER)



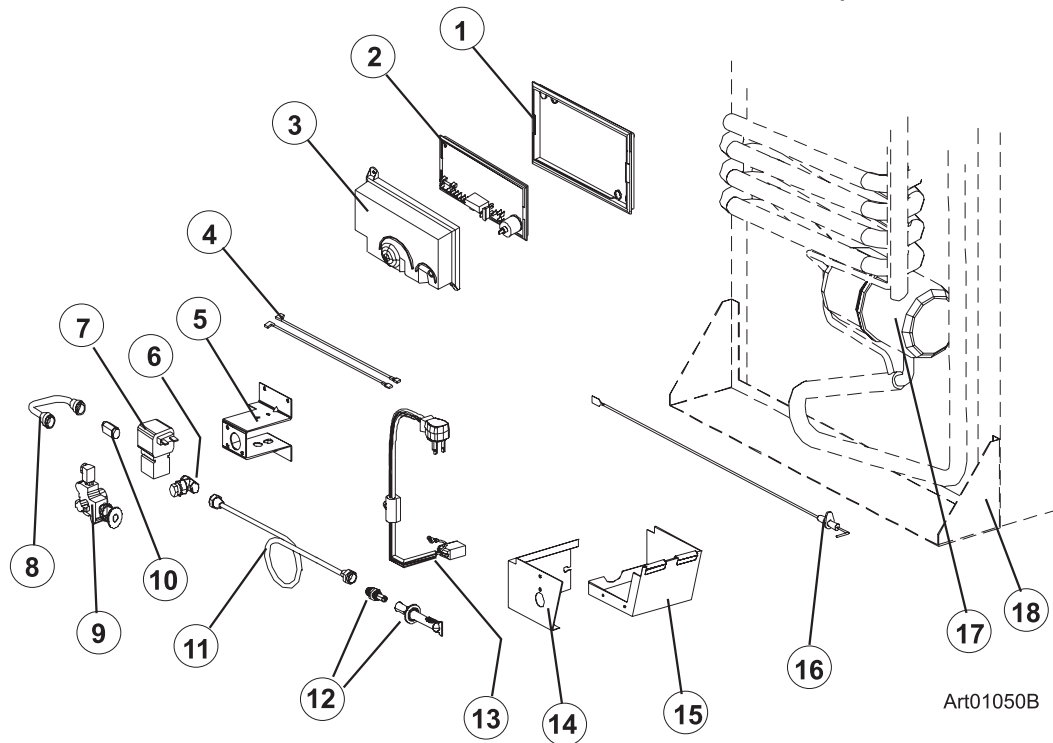
Art01318B

NO.	PART #	DESCRIPTION (SERIES)	N640 N641	N841	N842	N843
1	618186	BASE-POWER BOARD (SERIAL# - EG2=9044283 & BELOW)(EG3=8938727 & BELOW)	ALL	ALL	ALL	ALL
	628674	BASE-POWER BOARD/EG2 (SERIAL# - 9044284 & ABOVE)	N641	ALL	ALL	ALL
	628675	BASE-POWER BOARD/EG3 (SERIAL# - 8938728 & ABOVE EXCEPT N640.3)	N641	ALL		
2	621269001	KIT-POWER BOARD/EG2 (SERIAL# - 9044283 & BELOW)	N641	ALL	ALL	ALL
	621270001	KIT-POWER BOARD/EG3 (SERIAL# - 8938727 & BELOW EXCEPT N640.3)	N641	ALL		
	628661	POWER BOARD (SERIAL# - EG2=9044284 & ABOVE; EG3=8938728 & ABOVE EXCEPT N640.3)	N641	ALL	ALL	ALL
	628669	DC BOARD-EG3(SERIAL# 89387287 & ABOVE EXCEPT N640.3)(USE637764)	N641	ALL		
	637764	KIT SERVICE DC BOARD REPLACEMENT	N641	ALL		
3	618185	COVER-POWER SUPPLY (SERIAL# - EG2=9044283 & BELOW; EG3=8938727 & BELOW EXCEPT N640.3)	N641	ALL	ALL	ALL
	628677	COVER-POWER BOARD/EG2 (SERIAL# 9044284 & ABOVE)	N641	ALL	ALL	ALL
	628678	COVER-POWER BOARD/EG3 (SERIAL# 8938728 & ABOVE EXCEPT N640.3)	N641	ALL		
4	621448	WIRE-WHITE/9"/GAS VALVE (2 PER ASSEMBLY)	ALL	ALL	ALL	ALL
5	624681	BRACKET-MOUNTING/GAS VALVE (9185698 & BELOW)	ALL	ALL	ALL	ALL
	628993	BRACKET-MOUNTING/GAS VALVE (9185699 & ABOVE)	ALL	ALL	ALL	ALL
6	621334	KIT-GAS VALVE/BRACKET/WIRES (9185698 & BELOW)	ALL	ALL	ALL	ALL
	633726	GAS VALVE-COMBINATION (9185699 & ABOVE)	ALL	ALL	ALL	ALL
7	624682	BURNER TUBE-N8/N6 SERIES	ALL	ALL	ALL	ALL
8	621957	KIT-BURNER/ORIFICE ADAPTER ASSY - ORIFICE AND/OR BURNER	ALL	ALL	ALL	ALL
9	61554422	CORD-AC POWER/BLACK	ALL	ALL	ALL	ALL
	618406	CORD-AC POWER/IM	ALL	ALL	ALL	
NS	621755	CORD-POWER/ICE MAKER/WHITE (NOT SHOWN)				ALL
10	61712637	COVER ASSY-BURNER BOX	ALL	ALL	ALL	ALL
11	61695322	BASE-BURNER BOX	ALL	ALL	ALL	ALL
12	61692222	ELECTRODE-SPARK/SENSE/SINGLE ELECTRODE/0.25"	ALL	ALL	ALL	ALL
	632307	NSC SYSTEM PACK-COOLING UNIT (BACKER HEATER)	ALL			
13	632314	NSC SYSTEM PACK-COOLING UNIT (BACKER HEATER)		ALL	ALL	ALL
14	61586722	BRACE-CABINET/BACK	ALL	ALL	ALL	ALL

NOTE: IF THE CONTROL ASSY-OPTICAL HAS BEEN REPLACED WITH A KIT-CONTROL ADAPTOR, THE POWER BOARD MUST BE REPLACED WITH A NEW KIT-CONTROL ADAPTER.

# CONTROLS (REAR VIEW) - MODEL SERIES N641/ N841

NOTE: FOR MODELS WITH A SEPARATE MANUAL SHUT OFF VALVE (SERIAL # 656979 & BELOW).

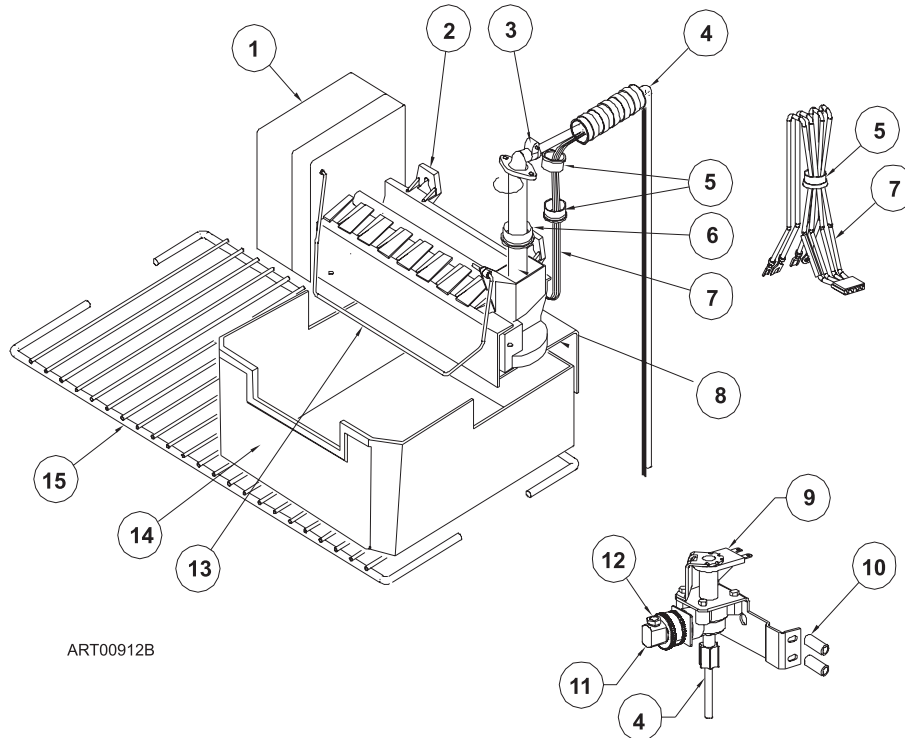


Art01050B

NO.	PART #	DESCRIPTION (SERIES)	N641	N841
1	618186	BASE-POWER BOARD	ALL	ALL
2	621269001	KIT-POWER BOARD -EG2	ALL	ALL
	621270001	KIT-POWER BOARD -EG3	ALL	ALL
3	618185	COVER-POWER SUPPLY	ALL	ALL
4	621448	WIRE-WHITE/9\"/>		

NOTE: IF THE CONTROL ASSY-OPTICAL HAS BEEN REPLACED WITH A KIT-CONTROL ADAPTOR, THE POWER BOARD MUST BE REPLACED WITH A NEW KIT-CONTROL ADAPTER.

# ICE MAKER AREA - MODEL SERIES N64/N84 (ICE MAKER MODELS)



ART00912B

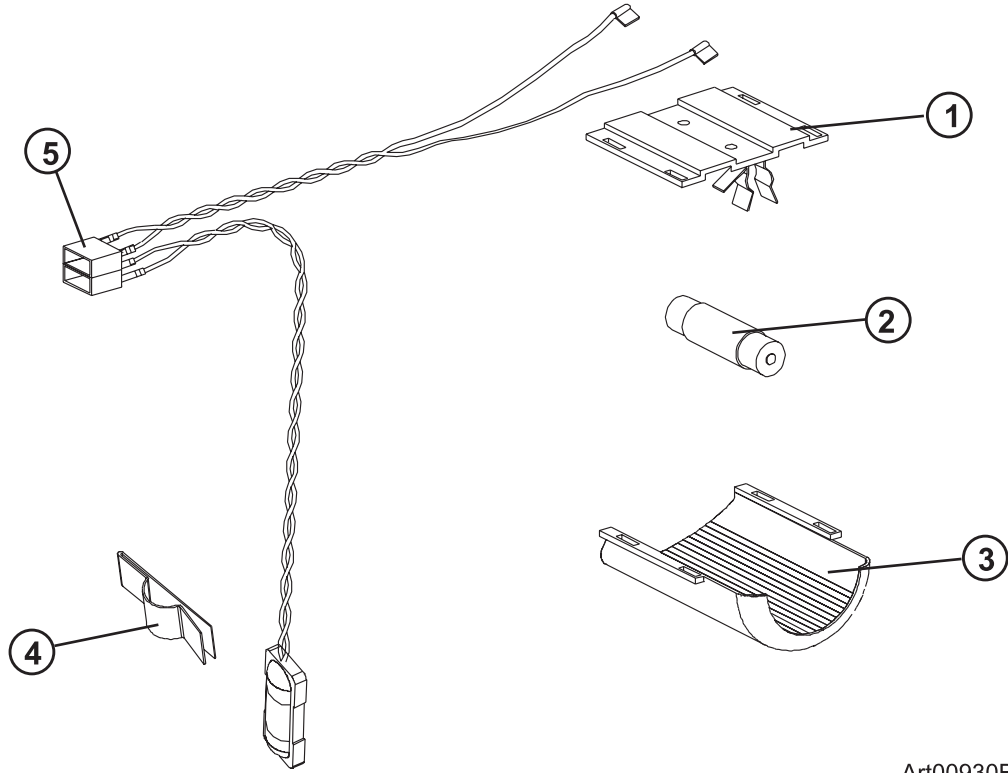
NO.	PART #	DESCRIPTION (SERIES)	N641IM	N841IM	N842IM	N843IM
1	61656822	COVER-FRONT/ICE MAKER	N641IM	N841IM	N842IM	N843IM
2	633324	KIT-ICE MAKER	N641IM	N841IM	N842IM	N843IM
	637582	KIT SERVICE IM REPLACEMENT	N641IM	N841IM	N842IM	N843IM
3	61690822	CLAMP-TUBING/IM	N641IM	N841IM	N842IM	N843IM
4	617869	TUBE-WATER FEED/IM/68" (USE 621429)	N641IM	N841IM	N842IM	N843IM
5	61346822	BUSHING-SNAP	N641IM	N841IM	N842IM	N843IM
6	620659	FITTING-WATER TUBE	N641IM	N841IM	N842IM	N843IM
7	618407	WIRING HARNESS-IM	N641IM	N841IM	N842IM	N843IM
8	617831	BRACKET-MOUNTING/ICE MAKER (ENDING 09/26/99)	N641IM	N841IM		
	620889	BRACKET-MOUNTING/ICE MAKER (STARTING 09/27/99)	N641IM	N841IM	N842IM	N843IM
9	633325	KIT-WATER VALVE/SINGLE PORT (USE 637140)	N641IM	N841IM	N842IM	N843IM
	637140	KIT SERVICE WATER VALVE REPLACEMENT	N641IM	N841IM	N842IM	N843IM
10	618169	SPACER-WATER VALVE/NYLON	N641IM	N841IM	N842IM	N843IM
11	61679622	GARDEN HOSE ADAPTER-STRAIGHT/IM	N641IM	N841IM	N842IM	N843IM
12	622991	NUT-COMPRESSION/WATER VALVE FITTING/IM/PLASTIC	N641IM	N841IM	N842IM	N843IM
	622846	NUT-COMPRESSION/WATER VALVE FITTING/IM/BRASS	N641IM	N841IM	N842IM	N843IM
13	61656922	SHUT OFF ARM/IM	N641IM	N841IM	N842IM	N843IM
14	619007	BIN-ICE/CRISPER/CLEAR	N641IM	N841IM	N842IM	N843IM
15	632445	SHELF-WIRE/FREEZER/N84/N64 (620249 OLDER MODELS)	N641IM	N841IM	N842IM	N843IM
NS	621429	WATER TUBE/HEATER ASSY/FOR ICE MAKER	N641IM	N841IM	N842IM	N843IM
NS	623182	KIT-OEM WATER TUBE FITTINGS/IM	X	X	X	X

NS - NOT SHOWN



NO LONGER AVAILABLE

# INTERIOR LIGHT AND THERMISTER ASSY - MODEL SERIES N64/N84



Art00930B

NO.	PART #	DESCRIPTION (SERIES)	N640 N641	N841	N842	N843
1	61629722	LAMP BRACKET ASSY( USE 638292)	ALL	ALL	ALL	ALL
	638292	KIT SERVICE LAMP BRACKET REPLACEMENT	ALL	ALL	ALL	ALL
2	632545	LAMP-DC LIGHT BULB	ALL	ALL	ALL	ALL
3	621827	COVER-LAMP BRACKET	ALL	ALL	ALL	ALL
4	633734	CLIP-THERMISTER MOUNTING/FIN	ALL	ALL	ALL	ALL
5	618548	LAMP THERMISTER WIRE ASSY	ALL	ALL	ALL	ALL
		NO LONGER AVAILABLE				

## FAN MODEL COMPONENTS - MODELS SERIES N64/N84

NOTE: LOWER FAN POSITION - MODELS WITH SERIAL # BELOW 9056492

PART #	DESCRIPTION	WITHOUT ICE MAKER	WITH ICE MAKER	HIGH VELOCITY WITHOUT ICE MAKER	HIGH VELOCITY WITH ICE MAKER
618857	BRACKET-DC FAN	1	1	1	1
619016	BRACKET-FAN SUPPORT	1	1	1	1
61417922	CABLE TIE-NYLON	3	4	3	4
618856	FAN-EXTERNAL DC	1	1		
623442	FAN-EXTERNAL DC/HIGH VELOCITY			1	1
618093	THERMOSTAT-DC FAN/THERMO DISC	1	1	1	1
618950	WIRE MOUNT-ADHESIVE	2	2	2	2
621943	WIRE-60" (FAN MODELS)	1	1	1	1
621431	WIRE-AUXILLARY/BLACK/POSITIVE (+)	1		1	
621430	WIRE-AUXILLARY/RED/NEGATIVE (-)	1		1	
618700	WIRE-BLACK/24"/18 GA	1	1	1	1
619017	WIRE-BLACK/6"/18 GA		1		1
618978	WIRE-FAN/RED/6"/18 GA/12V		1		1
618701	WIRE-RED/36"/18 GA	1	1	1	1

NOTE: LOWER FAN POSITION - MODELS WITH SERIAL # 9056492 TO 10087057

PART #	DESCRIPTION	WITHOUT ICE MAKER	WITH ICE MAKER	HIGH VELOCITY WITHOUT ICE MAKER	HIGH VELOCITY WITH ICE MAKER
618857	BRACKET-DC FAN	1	1	1	1
619016	BRACKET-FAN SUPPORT	1	1	1	1
61417922	CABLE TIE-NYLON	3	4	3	4
618856	FAN-EXTERNAL DC	1	1		
623442	FAN-EXTERNAL DC/HIGH VELOCITY			1	1
618093	THERMOSTAT-DC FAN/THERMO DISC	1	1	1	1
618950	WIRE MOUNT-ADHESIVE	2	2	2	2
621943	WIRE-60" (FAN MODELS)	1	1	1	1
628758	WIRE-AUXILLARY/OUTPUT/BLACK	1		1	
628759	WIRE-AUXILLARY/OUTPUT/RED	1		1	
619017	WIRE-BLACK/6"/18 GA		1		1
628999	WIRE-NEGATIVE/AUXILLARY TO Y CONNECTION	1	1	1	1
618978	WIRE-RED/6"/18 GA/12V		1		1
618701	WIRE-RED/36"/18 GA	1	1	1	1

NOTE: UPPER FAN POSITION - MODELS WITH SERIAL # ABOVE 10087057

PART #	DESCRIPTION	WITHOUT ICE MAKER	WITH ICE MAKER	HIGH VELOCITY WITHOUT ICE MAKER	HIGH VELOCITY WITH ICE MAKER
628747	BRACKET-DC FAN	1	1	1	1
61417922	CABLE TIE-NYLON	3	4	3	4
628685	FAN-EXTERNAL DC	1	1		
623442	FAN-EXTERNAL DC/HIGH VELOCITY			1	1
618093	THERMOSTAT-DC FAN/THERMO DISC	1	1	1	1
629883	WIRE ASSY	1	1	1	1
629882	WIRE ASSY	1	1	1	1
618950	WIRE MOUNT-ADHESIVE	2	2	2	2
621943	WIRE-60" (FAN MODELS)	1	1	1	1
628758	WIRE-AUXILLARY/OUTPUT/BLACK	1	1	1	1
628759	WIRE-AUXILLARY/OUTPUT/RED	1	1	1	1
619017	WIRE-BLACK/6"/18 GA		1		1
618978	WIRE-FAN/RED/6"/18 GA/12V		1		1





# PARTS LIST

## N1095 SERIES

### PANEL DOOR MODELS

N1095	N1095C
N1095IM	N1095IMC
N1095IMV	
N1095V	

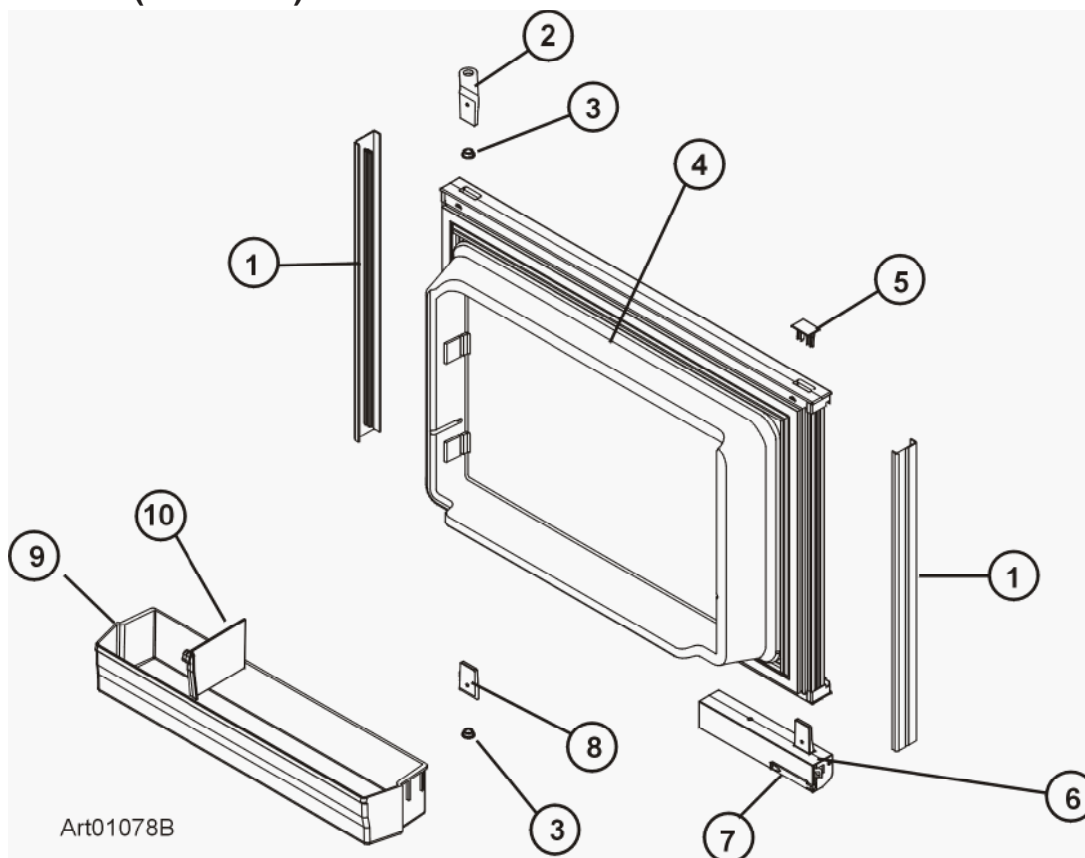
### WRAPPED DOOR MODELS

N1095BK	N1095CBK
M1095BKV	
N1095IMBK	N1095IMCBK
N1095SS	N1095CSS
N1095IMSS	N1095IMCSS
N1095WH *	

\* WHITE WRAPPED MODELS NO LONGER PRODUCED

PART NO. 624870  
NORCOLD 10/18/2017

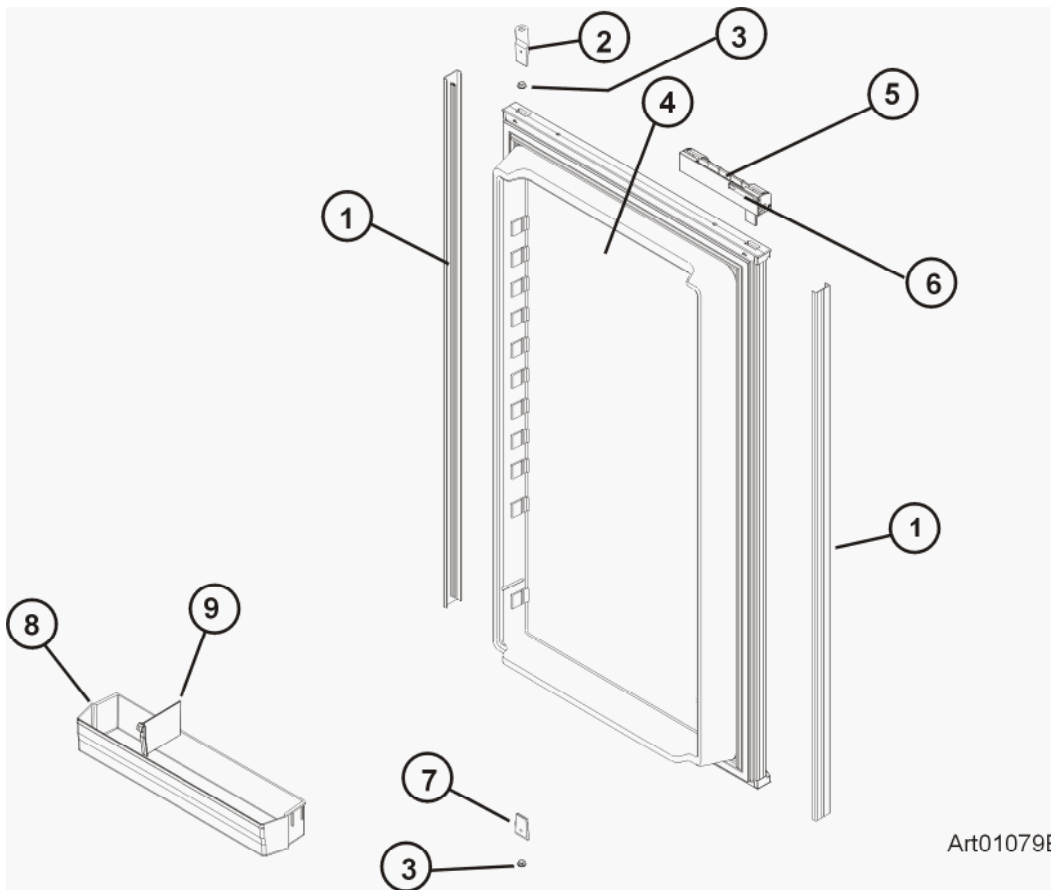
# UPPER DOOR (FREEZER) - MODEL SERIES N1095 - PANEL TYPE



NO.	PART #	DESCRIPTION	N1095 PANEL DOOR MODELS		
			N1095 N1095C	N1095IM N1095IMC	N1095V N1095IMV
1	619558	PANEL RETAINER-UPPER DOOR/BLACK/WDL	X		
	623943	PANEL RETAINER-UPPER DOOR/PANEL/BLACK/SDL	X	X	X
2	618511	HINGE-DOOR SIDE/TOP RH/BTM LH/BLACK/WDL	X	X	
3	619671	HINGE BUSHING-DOOR/WARM GRAY/WDL/SDL	X	X	X
4	619627	DOOR ASSY-UPPER/PANEL/BLACK FRAME/WDL	X	X	
	623945	DOOR ASSY-UPPER/PANEL/BLACK FRAME/SDL	X	X	X
5	618160	CAP-HINGE PLUG/BLACK	X	X	X
6	621469	DOOR HANDLE ASSY-UPPER DOOR/RH SWING/PLASTIC/BLACK	X	X	X
7	622313	LATCH-STORAGE/DOOR/PLASTIC HANDLE/WARM GRAY	X	X	X
8	618510	HINGE-DOOR SIDE/TOP LH/BTM RH/BLACK/WDL	X	X	
	619006	BIN-DOOR SHELF/SMALL/CLEAR/WDL	X	X	
	624864	BIN-DOOR SHELF/CLEAR/SDL	X	X	X
10	619008	DIVIDER-DOOR BIN/CLEAR/WDL/SDL	X	X	X
NS	619569	BOLT-CAP SHOULDER/TORX HEAD	X	X	X

WDL = WAFFLE DOOR LINER      SDL = SMOOTH DOOR LINER

# LOWER DOOR (FRESH FOOD) - MODEL SERIES N1095 - PANEL TYPE

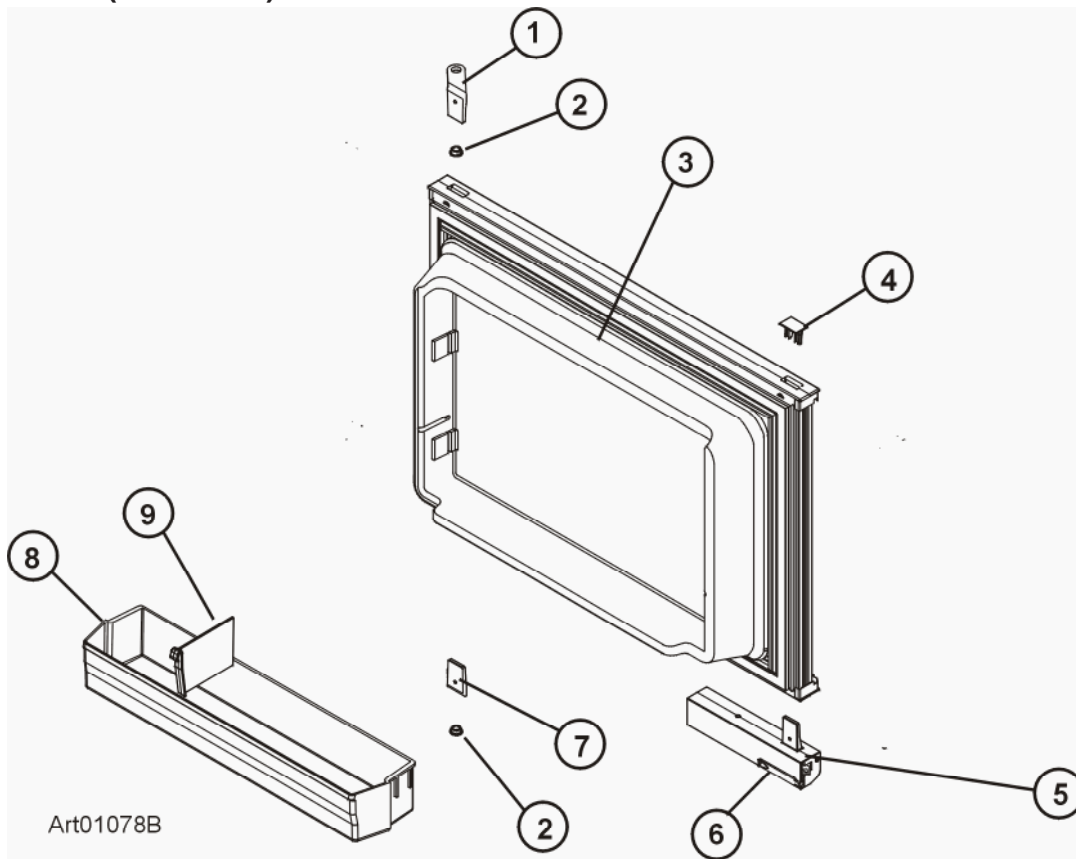


NO.	PART #	DESCRIPTION	N1095 PANEL DOOR MODELS		
			N1095 N1095C	N1095IM N1095IMC	N1095V N1095IMV
1	619560	PANEL RETAINER-LOWER DOOR/8'/BLACK/WDL	X	X	
	623760	PANEL RETAINER-LOWER DOOR/8'/BLACK/SDL	X	X	X
2	618511	HINGE-DOOR SIDE/TOP RH/BTM LH/BLACK/WDL	X	X	
3	619671	HINGE BUSHING-DOOR/WARM GRAY (2 PER DOOR)	X	X	X
4	619631	DOOR ASSY-LOWER/8'/PANEL/BLACK FRAME/WDL	X	X	
	623942	DOOR ASSY-LOWER/8'/PANEL/BLACK FRAME/SDL	X	X	X
5	621465	DOOR HANDLE ASSY-LOWER DOOR/RH SWING/PLASTIC/BLACK	X	X	X
6	622313	LATCH-STORAGE/DOOR/PLASTIC HANDLE/WARM GRAY	X	X	X
7	618510	HINGE-DOOR SIDE/TOP LH/BTM RH/BLACK/WDL	X	X	
8	619006	BIN-DOOR SHELF/SMALL/CLEAR/WDL (3 PER DOOR)	X	X	
	619005	BIN-DOOR SHELF/LARGE/CLEAR/WDL (1 PER DOOR)	X	X	
8	619006	BIN-DOOR SHELF/SMALL/CLEAR/WDL (3 PER DOOR)	X	X	
9	624864	BIN-DOOR SHELF/CLEAR/SDL	X	X	X
NS	619569	BOLT-CAP SHOULDER/TORX HEAD (NOT SHOWN)	X	X	X
NS	632458	WIRE-BIN/SDL	X	X	X

WDL = WAFFLE DOOR LINER

SDL = SMOOTH DOOR LINER

# UPPER DOOR (FREEZER) - MODEL SERIES N1095 - WRAP TYPE



NO.	PART #	DESCRIPTION	N1095 WRAPPED DOORS		
			BLACK	STAINLESS	WHITE
1	618511	HINGE-DOOR SIDE/TOP RH/BTM LH/BLACK/WDL	X	X	X
2	619671	HINGE BUSHING-DOOR/WARM GRAY/WDL/SDL	X	X	X
3	625874	DOOR ASSY-UPPER/WRAP/BLACK/WDL	X		
	627121	DOOR ASSY-UPPER/WRAP/BLACK/SDL (USE 632732)	X		
	632732	DOOR ASSY-UPPER/AT/WRAP/BLACK/SDL (FROM 07/10/08 TO S/N 12965198)	X		
	634065	DOOR ASSY-UPPER/ANCO/WRAP/BLACK/SDL (SERIAL # 12965199 & ABOVE)			
	623272	DOOR ASSY-UPPER/WRAP/STAINLESS STEEL/WDL		X	
	630091	DOOR ASSY-UPPER/WRAP/STAINLESS STEEL/SDL		X	
	632731	DOOR ASSY-UPPER/AT/WRAP/SS/SDL (FROM 06/25/08 TO S/N 12985380)		X	
	634062	DOOR ASSY-UPPER/ANCO/WRAP/SS/SDL (SERIAL # 12985381 & ABOVE)		X	
	624143	DOOR ASSY-UPPER/WRAP/WHITE/WDL			X
	627120	DOOR ASSY-UPPER/WRAP/WHITE/SDL			X
4	618160	CAP-HINGE PLUG/BLACK	X	X	X
5	621469	DOOR HANDLE ASSY-UPPER DOOR/RH SWING/PLASTIC/BLACK	X	X	X
6	622313	LATCH-STORAGE/DOOR/PLASTIC HANDLE/WARM GRAY	X	X	X
7	618510	HINGE-DOOR SIDE/TOP LH/BTM RH/BLACK/WDL	X	X	X
8	619006	BIN-DOOR SHELF/SMALL/CLEAR/WDL	X	X	X
9	619008	DIVIDER-DOOR BIN/CLEAR/WDL/SDL	X	X	X
NS	619569	BOLT-CAP SHOULDER/TORX HEAD (NOT SHOWN)	X	X	X

WDL = WAFFLE DOOR LINER

SDL = SMOOTH DOOR LINER

BK - BLACK

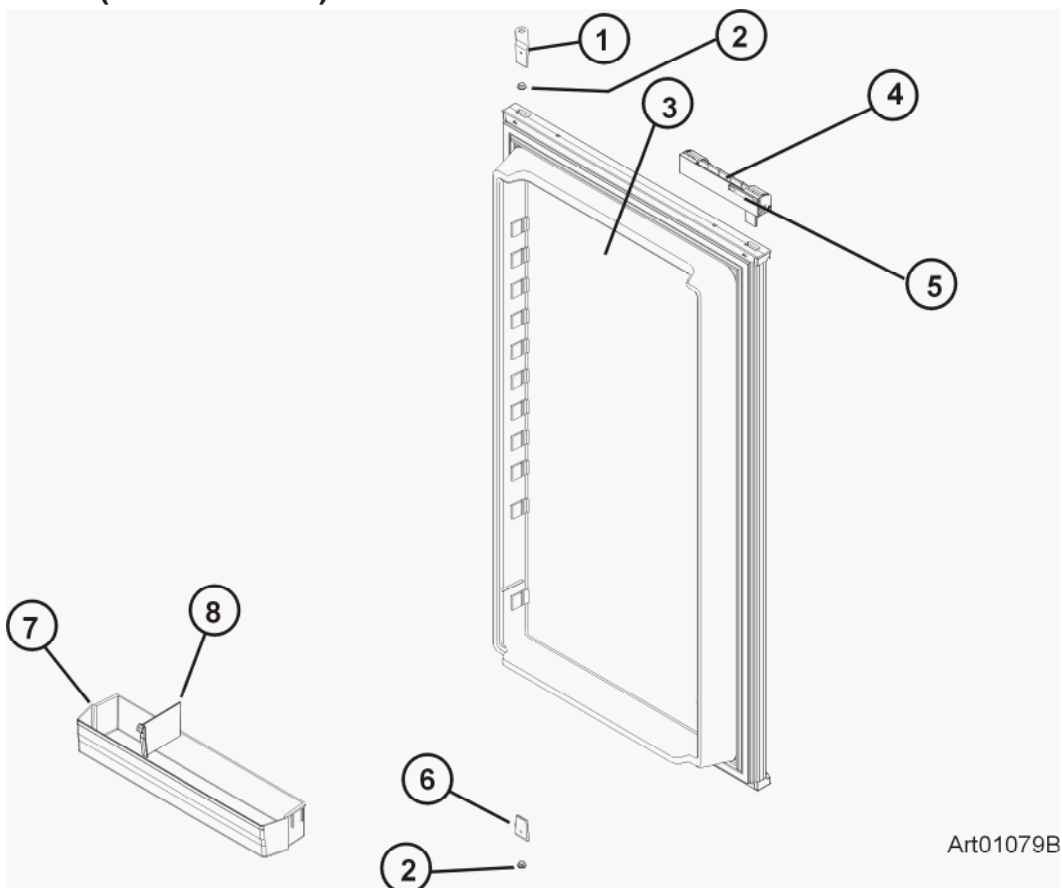
SS = STAINLESS STEEL

WH = WHITE (NO LONGER PRODUCED)



PART IS NO LONGER AVAILABLE

# LOWER DOOR (FRESH FOOD) - MODEL SERIES N1095 - WRAP TYPE



Art01079B

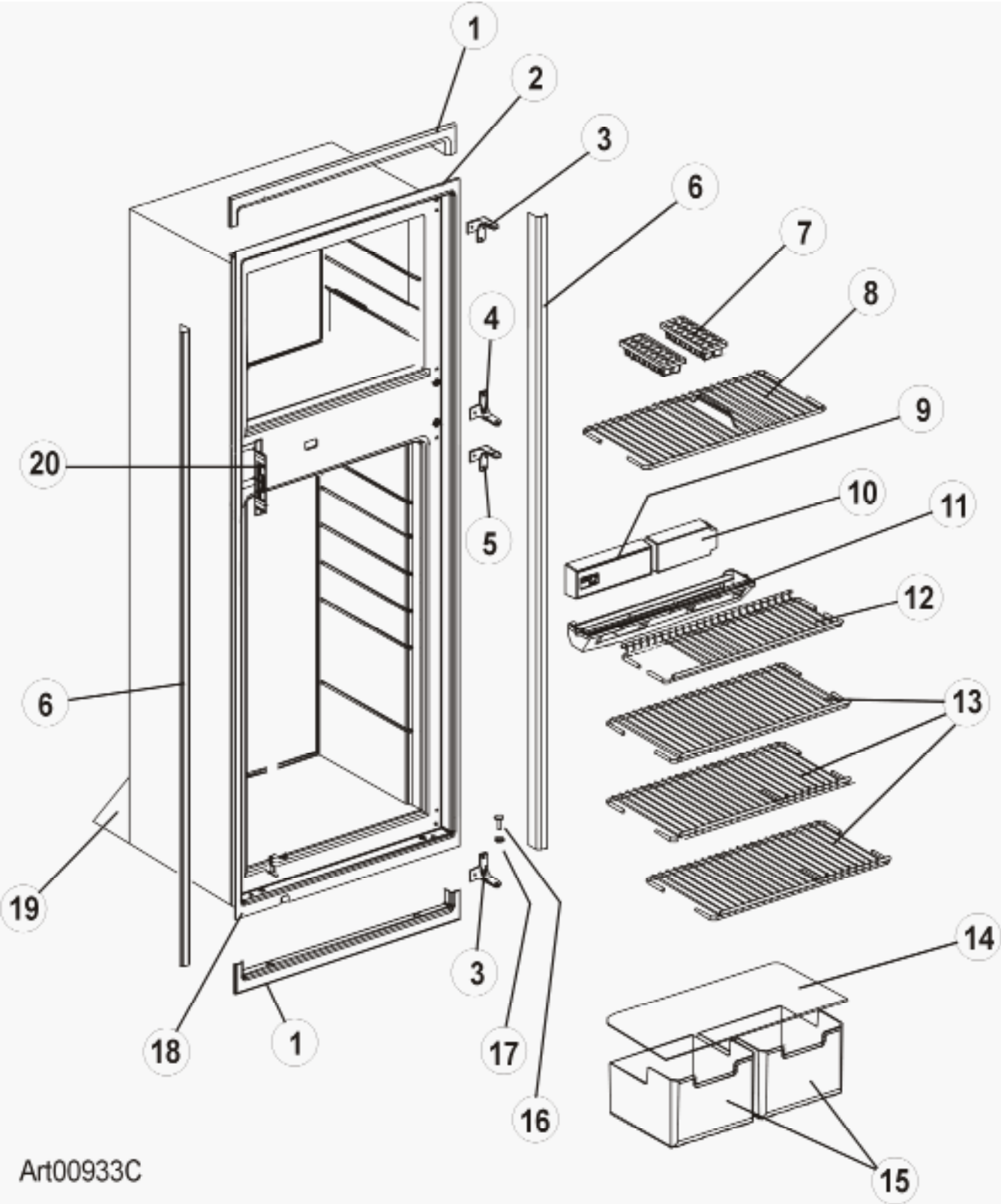
NO.	PART #	DESCRIPTION	N1095 WRAPPED DOORS		
			BLACK	STAINLESS	WHITE
1	618511	HINGE-DOOR SIDE/TOP RH/BTM LH/BLACK/WDL	X	X	X
2	619671	HINGE BUSHING-DOOR/WARM GRAY/WDL/SDL	X	X	X
3	625875	DOOR ASSY-LOWER/8'/WRAP/BLACK/WDL/POWDER COAT	X		
	627129	DOOR ASSY-LOWER/8'/WRAP/BLACK/SDL (USE 634067)	X		
	632738	DOOR ASSY-LOWER/8'/WRAP/AT/BLACK/SDL (FROM 07/10/08 TO S/N 12965198) (USE 634067)	X		
	634067	DOOR ASSY-LOWER/8'/WRAP/ANCO/BLACK/SDL (SERIAL # 12965199 & ABOVE)	X		
	623273	DOOR ASSY-LOWER/8'/WRAP/STAINLESS STEEL/WDL		X	
	630093	DOOR ASSY-LOWER/8'/WRAP/STAINLESS STEEL/SDL (USE 632737)		X	
	632737	DOOR ASSY-LOWER/8'/WRAP/AT/SS/SDL (FROM 06/25/08 TO S/N 12985380)		X	
	634064	DOOR ASSY-LOWER/8'/WRAP/ANCO/SS/SDL (SERIAL # 12985380 & ABOVE)		X	
	624145	DOOR ASSY-LOWER/8'/WRAP/WHITE/WDL			X
627128	DOOR ASSY-LOWER/8'/WRAP/WHITE/SDL			X	
4	621465	DOOR HANDLE ASSY-LOWER DOOR/RH SWING/PLASTIC/BLACK	X	X	X
5	622313	LATCH-STORAGE/DOOR/PLASTIC HANDLE/WARM GRAY	X	X	X
6	618510	HINGE-DOOR SIDE/TOP LH/BTM RH/BLACK/WDL	X	X	X
7	619006	BIN-DOOR SHELF/SMALL/CLEAR/WDL (3 PER DOOR)	X	X	
	619005	BIN-DOOR SHELF/LARGE/CLEAR/WDL (1 PER DOOR)	X	X	X
	624864	BIN-DOOR SHELF/CLEAR/SDL	X	X	X
8	619008	DIVIDER-DOOR BIN/CLEAR (1 PER DOOR SHELF BIN)	X	X	X
NS	624866	WIRE-BIN/SDL	X	X	X
NS	619569	BOLT-CAP SHOULDER/TORX HEAD (NOT SHOWN)	X	X	X

WDL = WAFFLE DOOR LINER      SDL = SMOOTH DOOR LINER

BK - BLACK      SS = STAINLESS STEEL      WH = WHITE (NO LONGER PRODUCED)

PART IS NO LONGER AVAILABLE

CABINET AREA (FRONT VIEW) - MODEL SERIES N1095



## CABINET AREA (FRONT VIEW) - MODEL SERIES N1095

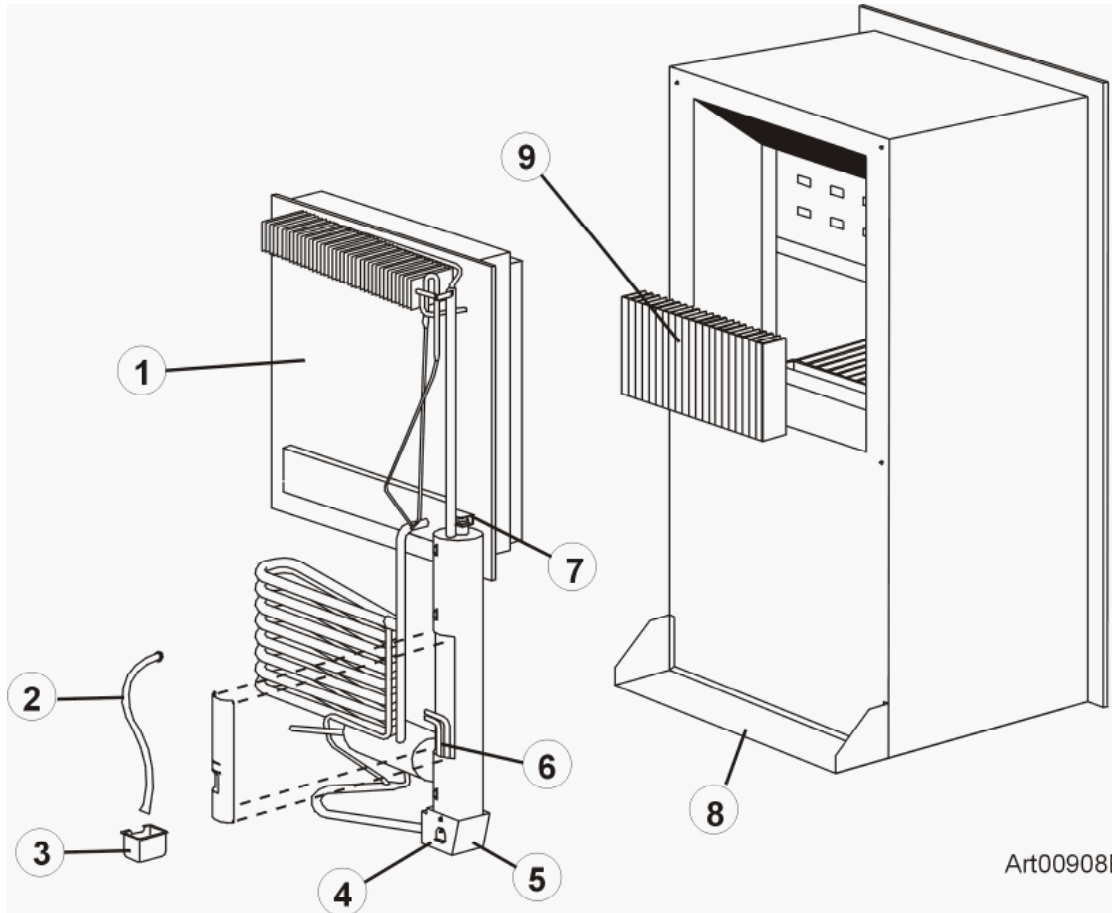
NO.	PART #	DESCRIPTION	N1095 N1095C	N1095IM N1095IMC
1	620915	KIT-INSTALLATION/BLACK (TRIM PIECES/SCREWS)	X	X
2	625184	BRACKET FOAM TAPE ASSY-TOP/MOUNTING	X	X
3	623550	HINGE-CABINET/TOP/BOTTOM/(PANEL/WDL)(WRAP/SDL)	X	X
	626659	HINGE-CABINET/TOP/BOTTOM/PANEL/SDL	X	X
	619335	HINGE-CABINET/3 POINT/TOP RH/BTM LH/BLACK/WDL (USE 624785)	X	X
	624785	HINGE-CABINET 10-32 UR/LL- BLACK	X	X
	623771	HINGE-CABINET/3 POINT/TOP RH/BTM LH/PANEL/BLACK/SDL	X	X
4	619336	HINGE-CABINET/3 POINT/TOP LH/BTM RH/BLACK/WDL	X	X
	623772	HINGE-CABINET/3 POINT/TOP LH/BTM RH/PANEL/BLACK/SDL	X	X
	624786	HINGE-CABINET/3 POINT/TOP LH/BTM RH/WRAP/BLACK/SDL	X	X
5	619335	HINGE-CABINET/3 POINT/TOP RH/BTM LH/BLACK/WDL	X	X
	623771	HINGE-CABINET/3 POINT/TOP RH/BTM LH/PANEL/BLACK/SDL	X	X
	624785	HINGE-CABINET/3 POINT/TOP RH/BTM LH/WRAP/BLACK/SDL	X	X
6	625185	TRIM PIECE FOAM TAPE ASSY-CABINET/SIDE/10'/BLACK	X	X
7	61630422	ICE CUBE TRAY-PLASTIC (NON ICE MAKER MODELS ONLY)(2 PER CABINET)	X	
8	620982	SHELF-WIRE/FREEZER (S/N 18821633 AND BELOW)	X	X
	632452	SHELF-WIRE/FREEZER (S/N 18821634 AND ABOVE)	X	X
9	628976	CONTROL ASSY-OPTICAL/BLACK (SERIAL# 9045738 & ABOVE)	X	X
	619665	CONTROL ASSY-OPTICAL/BLACK (SERIAL# 9045737 & BELOW) (LIMITED QUANTITIES)	X	X
	633287	KIT-CONTROL ADAPTER (SERIAL# 9045737 & BELOW)	X	X
10	619282	FRONT BOX-BLACK	X	X
11	623250	DRIP TRAY-INSIDE (ONE PIECE)	X	X
12	623713	SHELF-WIRE/CUTOUT (S/N 18821633 AND BELOW)	X	X
	632457	SHELF-WIRE/CUTOUT (S/N 18821634 AND ABOVE)	X	X
13	623712	SHELF-WIRE/FULL (S/N 18821633 AND BELOW)	X	X
	632456	SHELF-WIRE/FULL (S/N 18821634 AND ABOVE)	X	X
NS	623121	CLAMP-SHELF RETAINING LOOP 3/8"	X	X
14	620985	CRISPER COVER-GLASS SHELF	X	X
15	621070	BIN-CRISPER	X	X
16	618145	HINGE PIN (PANEL/WDL)(WRAP/SDL)	X	X
	61550722	HINGE PIN-BOTTOM/SDL (USE 638636)	X	X
	638636	KIT SERVICE LWR HINGE PIN REPLACEMENT	X	X
	623899	HINGE PIN-UPPER/LOWER/BLACK (PANEL/SDL) (USE 638780)	X	X
	638780	KIT SERVICE UPPER HINGE PIN REPLACEMENT	X	X
17	619671	HINGE BUSHING-DOOR/WARM GRAY	X	X
18	625183	BRACKET FOAM TAPE ASSY-BOTTOM/MOUNTING	X	X
19	61586722	BRACE-CABINET/BACK	X	X
20	618167	STRIKE PLATE-BLACK	X	X

WDL = WAFFLE DOOR LINER

SDL = SMOOTH DOOR LINER

 PART IS NO LONGER AVAILABLE

# CABINET AREA (REAR VIEW/COOLING UNIT) - MODEL SERIES N1095



NO.	PART #	DESCRIPTION	N1095 N1095C	N1095IM N1095IMC
1	632316	NSC SYSTEM PACK-COOLING UNIT/N1095/ (BACKER HEATER)	X	X
	2M0802	KIT-THERMAL SWITCH/BRACKET ASSY (SEE NOTE)	X	X
NS	618111	BAFFLE DIFFUSER/WIRE ASSY-COOLING UNIT (NOT SHOWN)	X	X
2	622391	DRAIN HOSE ASSY	X	X
3	622546	DRIP CUP-REAR/PLASTIC	X	X
4	61712637	COVER ASSY-BURNER BOX	X	X
5	61695322	BASE-BURNER BOX	X	X
6	621702	HEATER-AC (CU SERIAL# 11232007 & BELOW) (USE 638365)	X	X
	638365	KIT SERVICE HEATER REPLACEMENT	X	X
	630811	HEATER-AC/BACKER (CUSERIAL# 11232008 & ABOVE) (USE 638374)	X	X
	638374	KIT SERVICE HEATER REPLACEMENT	X	X
7	61695022	CAP-HEAT DEFLECTOR	X	X
8	61586722	BRACE-CABINET/BACK	X	X
9	61686823	FINS	X	X
NS	625005	BAFFLE ASSY-REAR HEAT (NOT SHOWN)	X	X

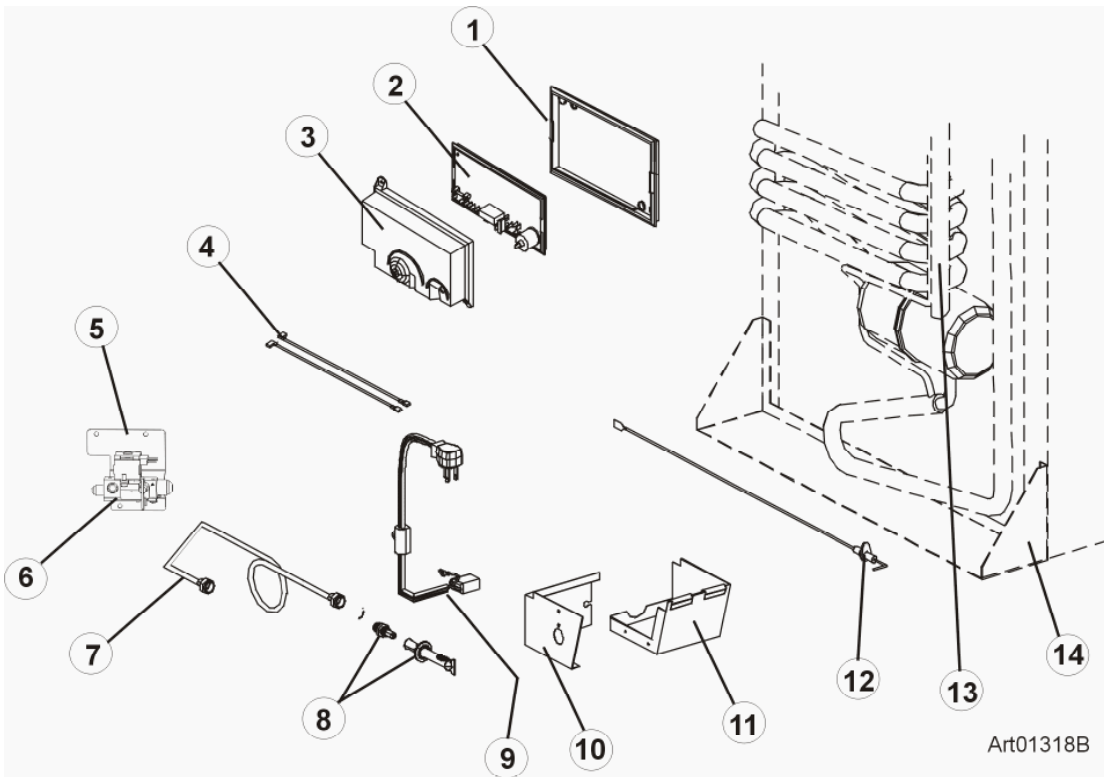
NOTE: FOR COOLING UNITS WITH A THERMAL SWITCH.



NO LONGER AVAILABLE



# CONTROLS (REAR VIEW) - MODEL SERIES N1095



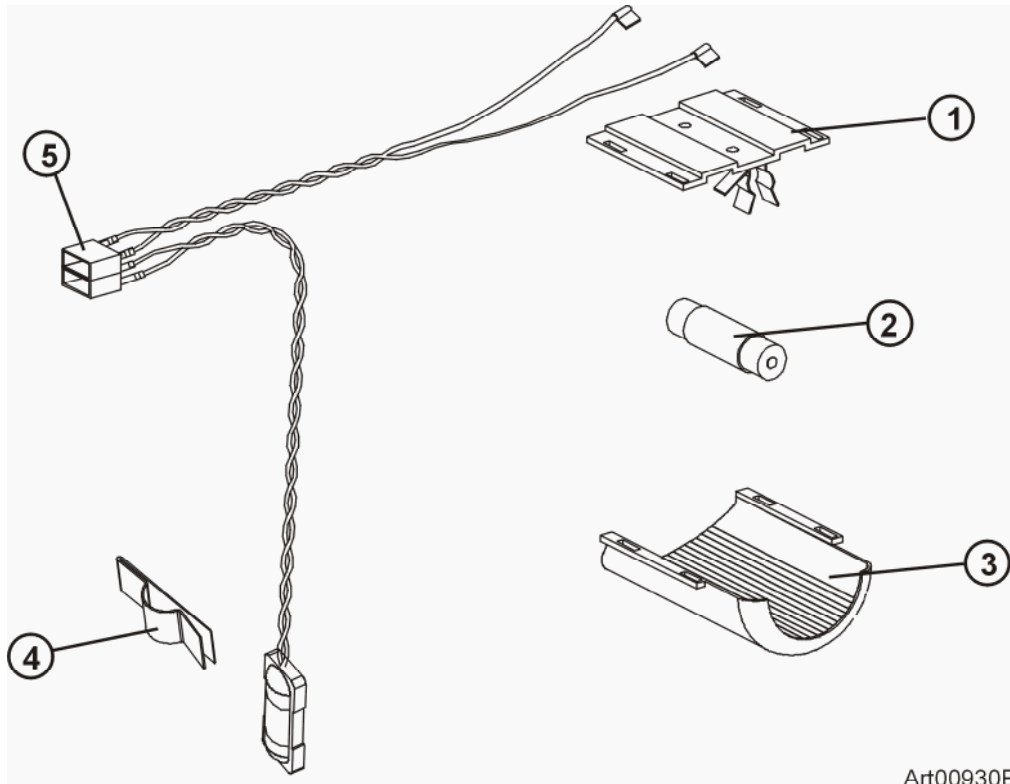
Art01318B

NO.	PART #	DESCRIPTION	N1095 N1095C	N1095IM N1095IMC
1	618186	BASE-POWER BOARD (9045737 & BELOW)	X	X
	628674	BASE-POWER BOARD (9045738 & ABOVE)	X	X
2	621269001	KIT-POWER BOARD (9045737 & BELOW)	X	X
	628661	POWER BOARD (9045738 & ABOVE)	X	X
3	618185	COVER-POWER BOARD (9045737 & BELOW)	X	X
	628677	COVER-POWER BOARD (9045738 & ABOVE)	X	X
4	621448	WIRE-WHITE/9\"/>		

NS = NOT SHOWN

NOTE: IF THE CONTROL ASSY-OPTICAL HAS BEEN REPLACED WITH A KIT-CONTROL ADAPTOR, THE POWER BOARD MUST BE REPLACED WITH A NEW KIT-CONTROL ADAPTER.

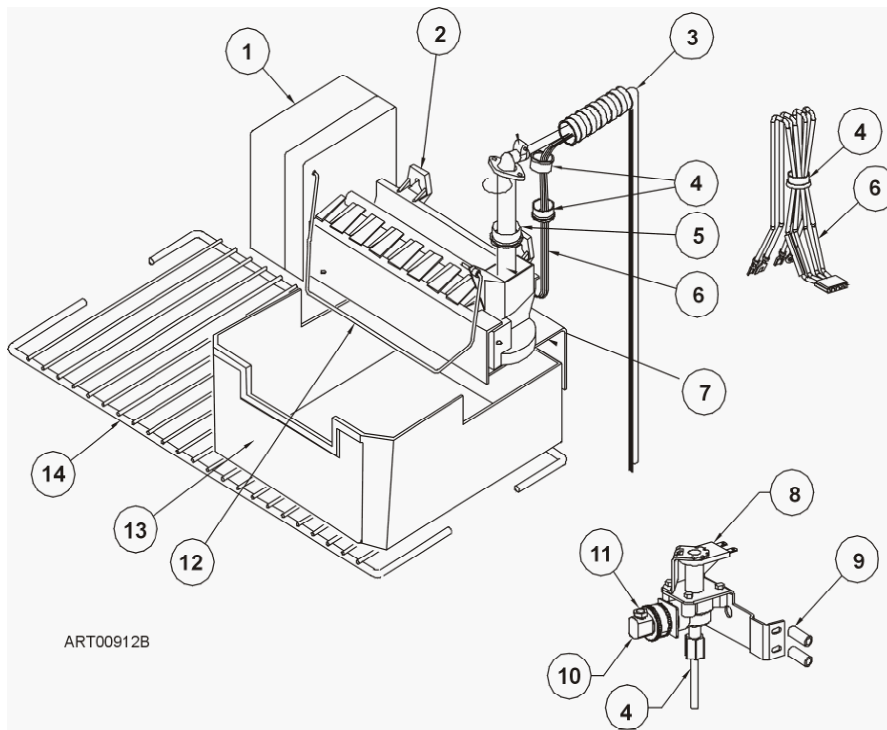
# INTERIOR LIGHT AND THERMISTER ASSY - MODEL SERIES N1095



Art00930B

NO.	PART #	DESCRIPTION	N1095 N1095C	N1095IM N1095IMC
1	61629722	LAMP BRACKET ASSY (USE 638292)	X	
	638292	KIT SERVICE LAMP BRACKET REPLACEMENT	X	
2	632545	LAMP-DC LIGHT BULB	X	X
3	621827	COVER-LAMP BRACKET	X	X
4	633734	CLIP-THERMISTER MOUNTING/ADHESIVE BACK	X	X
5	620871	LAMP THERMISTER WIRE ASSY	X	X
		NO LONGER AVAILABLE		

# ICE MAKER AREA - MODEL SERIES N1095 (ICE MAKER MODELS)



NO.	PART #	DESCRIPTION	N1095IM N1095IMC
1	61656822	COVER-FRONT/ICE MAKER	X
2	633324	KIT-ICE MAKER	X
	637582	KIT SERVICE IM REPLACEMENT	X
3	621429	WATER TUBE/HEATER ASSY/FOR ICE MAKER	X
4	61346822	BUSHING-SNAP	X
5	620951	FITTING-WATER TUBE	X
6	618407	WIRING HARNESS-IM(USE 639086)	X
	639086	KIT SERVICE IM WIRE HARNESS REPLACEMENT	X
7	621484	BRACKET-IM MOUNTING	X
8	633325	KIT-WATER VALVE-SINGLE PORT	X
9	618169	SPACER-WATER VALVE/NYLON	X
10	61679622	GARDEN HOSE ADAPTER-STRAIGHT/IM	X
11	622991	NUT-COMPRESSION/WATER VALVE FITTING/IM/PLASTIC	X
	622846	NUT-COMPRESSION/WATER VALVE FITTING/IM/BRASS	X
12	61656922	SHUT OFF ARM/IM	X
13	619007	BIN-ICE/CRISPER/CLEAR	X
14	620982	SHELF-WIRE/FREEZER	X
NS	61692622	SLEEVE-BALL/.25"/TUBE COMPRESSION RING/BRASS (NOT SHOWN)	X
NS	620240	THERMOSTAT-IM HEATER ASSY (NOT SHOWN)	X
NS	622835	INSERT-BRASS/.040"/OEM WATER LINE/IM (NOT SHOWN)	X
NS	623181	SLEEVE-BALL/.25"/TUBE COMPRESSION RING/PLASTIC (NOT SHOWN)	X
NS	623182	KIT-OEM WATER TUBE FITTINGS/IM	X

NS = NOT SHOWN



NO Longer Available

## FAN SYSTEM COMPONENTS - MODEL SERIES N1095

NOTE: LOWER FAN POSITION - MODELS WITH SERIAL # BELOW 9056492

PART #	DESCRIPTION	WITHOUT ICE MAKER	WITH ICE MAKER	HIGH VELOCITY WITHOUT ICE MAKER	HIGH VELOCITY WITH ICE MAKER
618857	BRACKET-DC FAN	1	1	1	1
619016	BRACKET-FAN SUPPORT	1	1	1	1
61417922	CABLE TIE-NYLON	3	4	3	4
618856	FAN-EXTERNAL DC	1	1		
623442	FAN-EXTERNAL DC/HIGH VELOCITY			1	1
618093	THERMOSTAT-DC FAN/THERMO DISC(USE 638278)	1	1	1	1
638278	KIT SERVICE FAN THERMOSTAT REPLACEMENT	1	1	1	1
618950	WIRE MOUNT-ADHESIVE	2	2	2	2
621943	WIRE-60" (FAN MODELS)	1	1	1	1
621431	WIRE-AUXILLARY/BLACK/POSITIVE (+)	1		1	
621430	WIRE-AUXILLARY/RED/NEGATIVE (-)	1		1	
618700	WIRE-BLACK/24"/18 GA	1	1	1	1
619017	WIRE-BLACK/6"/18 GA		1		1
618978	WIRE-FAN/RED/6"/18 GA/12V		1		1
618701	WIRE-RED/36"/18 GA	1	1	1	1

NOTE: LOWER FAN POSITION - MODELS WITH SERIAL # 9056492 TO 10083091

PART #	DESCRIPTION	WITHOUT ICE MAKER	WITH ICE MAKER	HIGH VELOCITY WITHOUT ICE MAKER	HIGH VELOCITY WITH ICE MAKER
618857	BRACKET-DC FAN	1	1	1	1
619016	BRACKET-FAN SUPPORT	1	1	1	1
61417922	CABLE TIE-NYLON	3	4	3	4
618856	FAN-EXTERNAL DC	1	1		
623442	FAN-EXTERNAL DC/HIGH VELOCITY			1	1
618093	THERMOSTAT-DC FAN/THERMO DISC (USE 638278)	1	1	1	1
638278	KIT SERVICE FAN THERMOSTAT REPLACEMENT	1	1	1	1
618950	WIRE MOUNT-ADHESIVE	2	2	2	2
621943	WIRE-60" (FAN MODELS)	1	1	1	1
628758	WIRE-AUXILLARY/OUTPUT/BLACK	1		1	
628759	WIRE-AUXILLARY/OUTPUT/RED	1		1	
619017	WIRE-BLACK/6"/18 GA		1		1
628999	WIRE-NEGATIVE/AUXILLARY TO Y CONNECTION	1	1	1	1
618978	WIRE-RED/6"/18 GA/12V		1		1
618701	WIRE-RED/36"/18 GA	1	1	1	1

## FAN SYSTEM COMPONENTS - MODEL SERIES N1095

NOTE: UPPER FAN POSITION - MODELS WITH SERIAL # ABOVE 10083091

PART #	DESCRIPTION	WITHOUT ICE MAKER	WITH ICE MAKER	HIGH VELOCITY WITHOUT ICE MAKER	HIGH VELOCITY WITH ICE MAKER
628747	BRACKET-DC FAN	1	1	1	1
61417922	CABLE TIE-NYLON	3	4	3	4
628685	FAN-EXTERNAL DC	1	1		
623442	FAN-EXTERNAL DC/HIGH VELOCITY			1	1
618093	THERMOSTAT-DC FAN/THERMO DISC(USE 638278)	1	1	1	1
638278	KIT SERVICE FAN THERMOSTAT REPLACEMENT	1	1	1	1
629883	WIRE ASSY	1	1	1	1
629882	WIRE ASSY	1	1	1	1
618950	WIRE MOUNT-ADHESIVE	2	2	2	2
621943	WIRE-60" (FAN MODELS)	1	1	1	1
628758	WIRE-AUXILLARY/OUTPUT/BLACK	1	1	1	1
628759	WIRE-AUXILLARY/OUTPUT/RED	1	1	1	1
619017	WIRE-BLACK/6"/18 GA		1		1
618978	WIRE-FAN/RED/6"/18 GA/12V		1		1
	NO LONGER AVAILABLE				

# NORCOLD

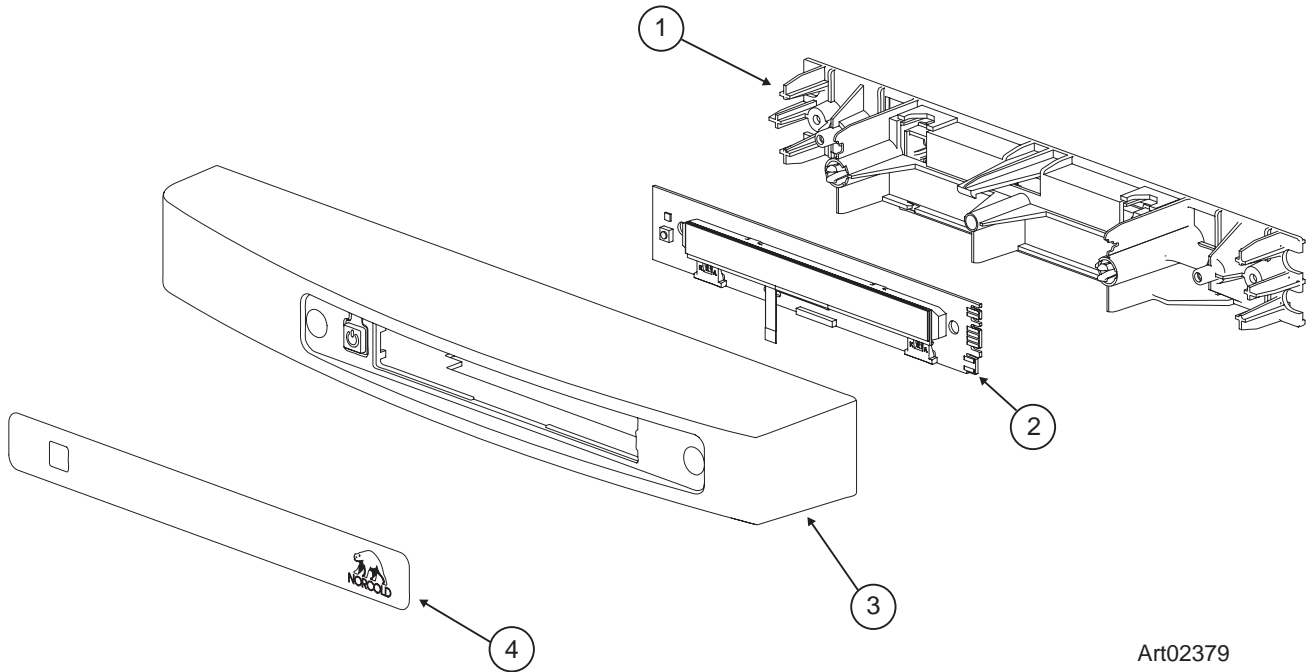


# PARTS LIST

**N3104**  
**N3150**  
**N3141**

PART NO. 635992  
NORCOLD 9/29/2017

# CONTROL PANEL - N3104 / N3150 MODELS



Art02379

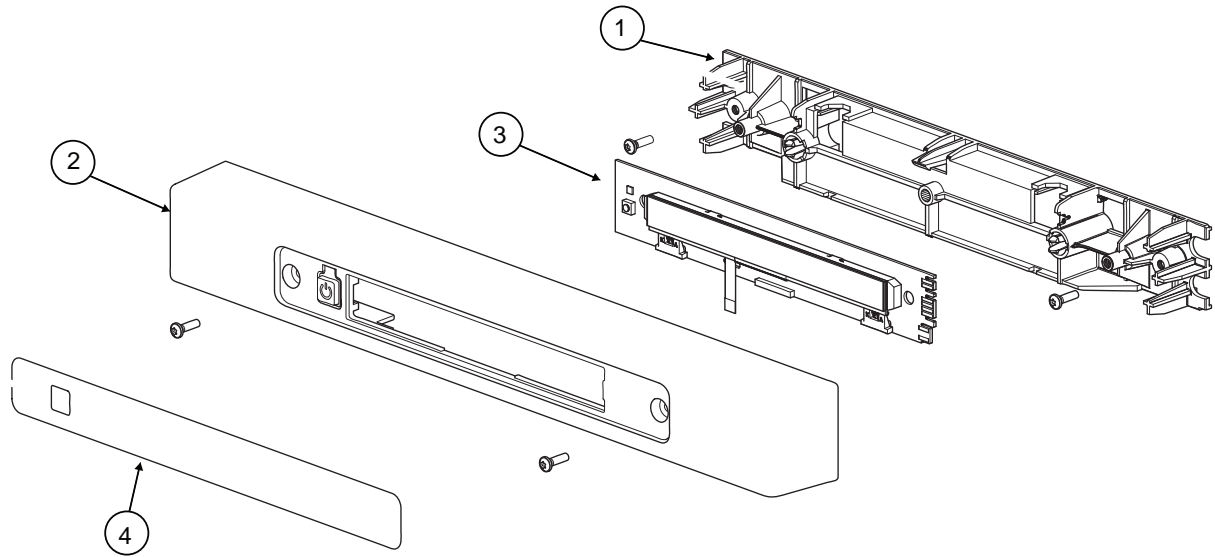
NO.	PART #	DESCRIPTION	N3104	N3150
1	690869	DISPLAY BOARD MOUNTING BRACKET	X	X
2	690872	DISPLAY BOARD (SN E001N-E366N, E001P-E365P, E001R-E365R, E001S-E058S)	X	
	691451	KIT-LCD DISPLAY BOARD (SN E059S AND ABOVE) (USE 638233)	X	
	638233	KIT-SERVICE LCD DISPLAY BOARD (SN E059S AND ABOVE)	X	
	690872	DISPLAY BOARD (SN E001N-E366N, E001P-E365P, E001R-E365R, E001S-E054S)		X
	691451	KIT- LCD DISPLAY BOARD (SN E055S AND ABOVE) (USE 638233)		X
	638233	KIT-SERVICE LCD DISPLAY BOARD (SN E055S AND ABOVE)		X
3	69087027	HOUSING-CURVED LEFT (FOR LH HINGE) (SHOWN) (USE 636881)	X	X
	636881	KIT-SERVICE CURVED HOUSING LH	X	X
	69087127	HOUSING-CURVED RIGHT (FOR RH HINGE) (NOT SHOWN) (USE 638234)	X	X
	638234	KIT-SERVICE CURVED HOUSING RH	X	X
4	690873	CONTROL OVERLAY (SN E001N-E366N, E001P-E365P, E001R-E365R, E001S-E058S)	X	
	691452	KIT- CONTROL OVERLAY (SN E059S AND ABOVE)	X	
	690873	CONTROL OVERLAY (SN E001N-E366N, E001P-E365P, E001R-E365R, E001S-E054S)		X
	691452	KIT-CONTROL OVERLAY (SN E055S AND ABOVE)		X

NOTE: ITEM #4 IS INCLUDED IN ALL KITS REFERENCED ABOVE.



NO LONGER AVAILABLE

# CONTROL PANEL - N3141 MODEL

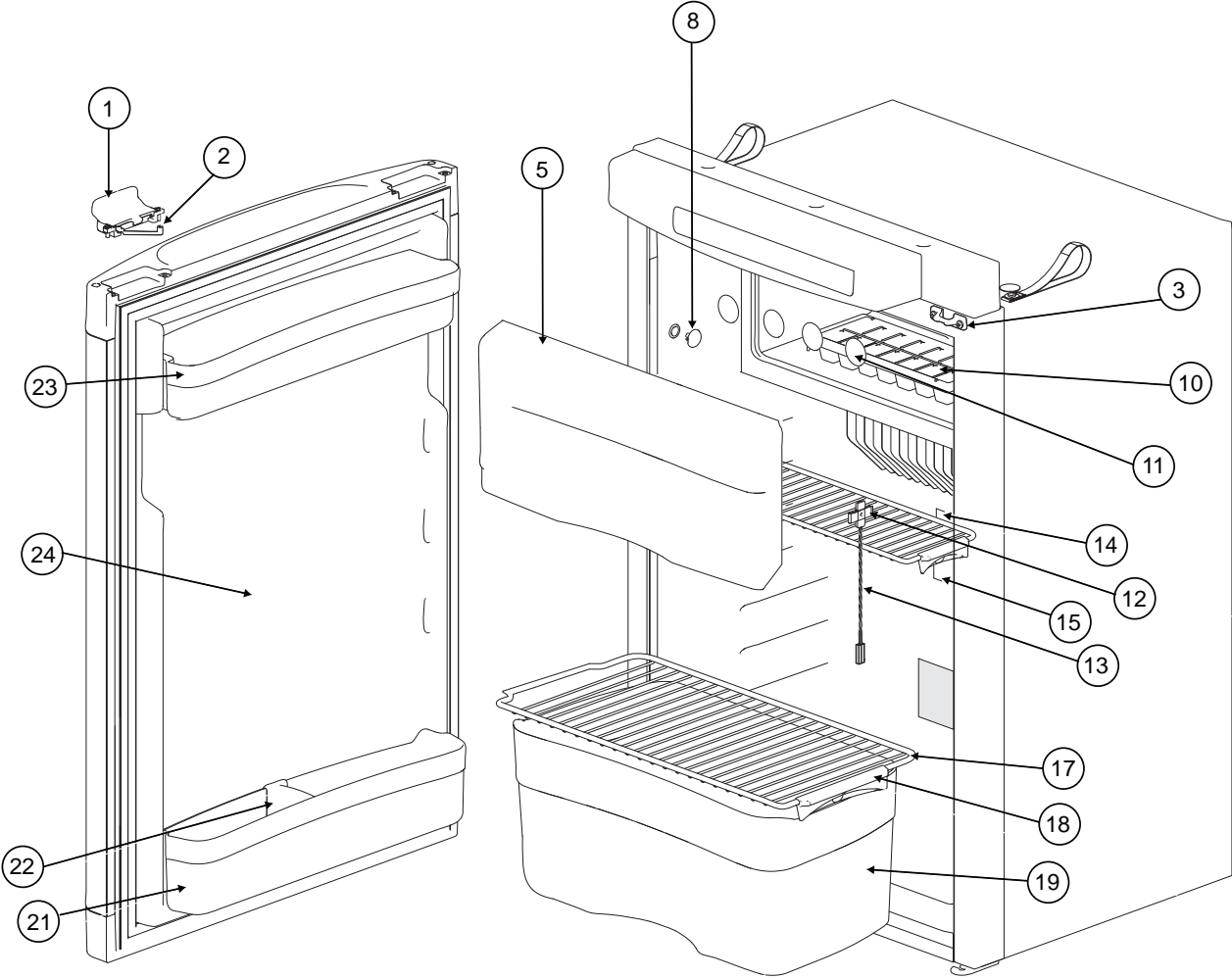


ART 02619

NO.	PART #	DESCRIPTION	N3141
1	691102	TECHNICAL PANEL FLAT (USE 639217)	X
	639217	KIT SERVICE CONTROL HOUSING REPLACEMENT	X
2	691104	HOUSING FLAT	X
3	691108	KIT- PCB LCD DM (USE 639219)	X
	639219	KIT SERVICE LCD DISPLAY REPLACEMENT	X
4	691110	STICKER LCD (USE 691452)	X
	691452	KIT CONTROL OVERLAY	X
		NO LONGER AVAILABLE	



CABINET AREA (FRONT VIEW) - N3104



Art02380A



## CABINET AREA (FRONT VIEW) - N3104

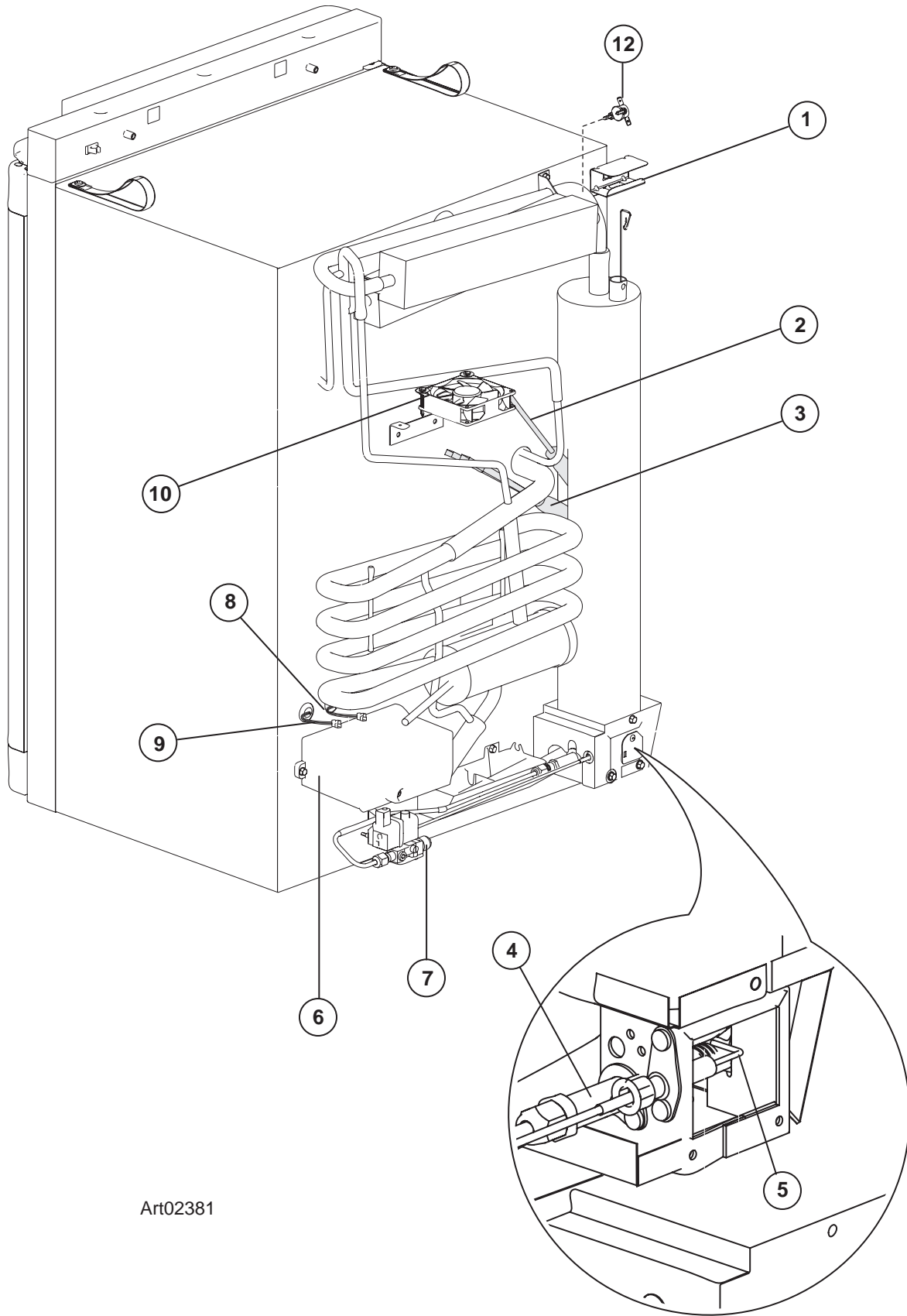
NO.	PART #	DESCRIPTION	N3104
1	62698527	LATCH-BLACK	X
2	SPARE PART KIT	STORAGE STRAP	X
3		STRIKE PLATE-BLACK	X
5	690852	FREEZER DOOR	X
	636864	KIT SERVICE FREEZER DOOR REPLACEMENT	X
8	62362208	CAP (CONTAINS 2 CAPS)	X
10	61630422	ICE CUBE TRAY	X
11	62447908	CAP- FREEZER BOLT (CONTAINS 12 CAPS)	X
12	623059	FIN CLIP	X
13	623077	THERMISTOR	X
14	69086708	SHELF C	X
15	62362608	SHELF CLIP-SMALL	X
17	69086808	SHELF F	X
18	62362508	SHELF CLIP-LARGE	X
19	62698012	VEGETABLE BIN	X
20	62400127	LATCH BOTTOM	X
21	69082412	DOOR BIN-CURVED DEEP	X
22	62698912	BOTTLE RETAINER	X
23	69082312	DOOR BIN-CURVED SHALLOW	X
24	690152107R	DOOR ASSEMBLY	X
NS	69021727	KIT -TO CHANGE REFR DOOR SWING FROM LEFT HINGE TO RIGHT HINGE	X
NS	69021827	KIT -TO CHANGE REFR DOOR SWING FROM RIGHT HINGE TO LEFT HINGE	X
NS	635010	KIT- HINGE LH	X
NS	635011	KIT- HINGE RH	X

NS - NOT SHOWN



NO LONGER AVAILABLE

# CABINET AREA (REAR VIEW) - N3104



Art02381

## CABINET AREA (REAR VIEW) - N3104

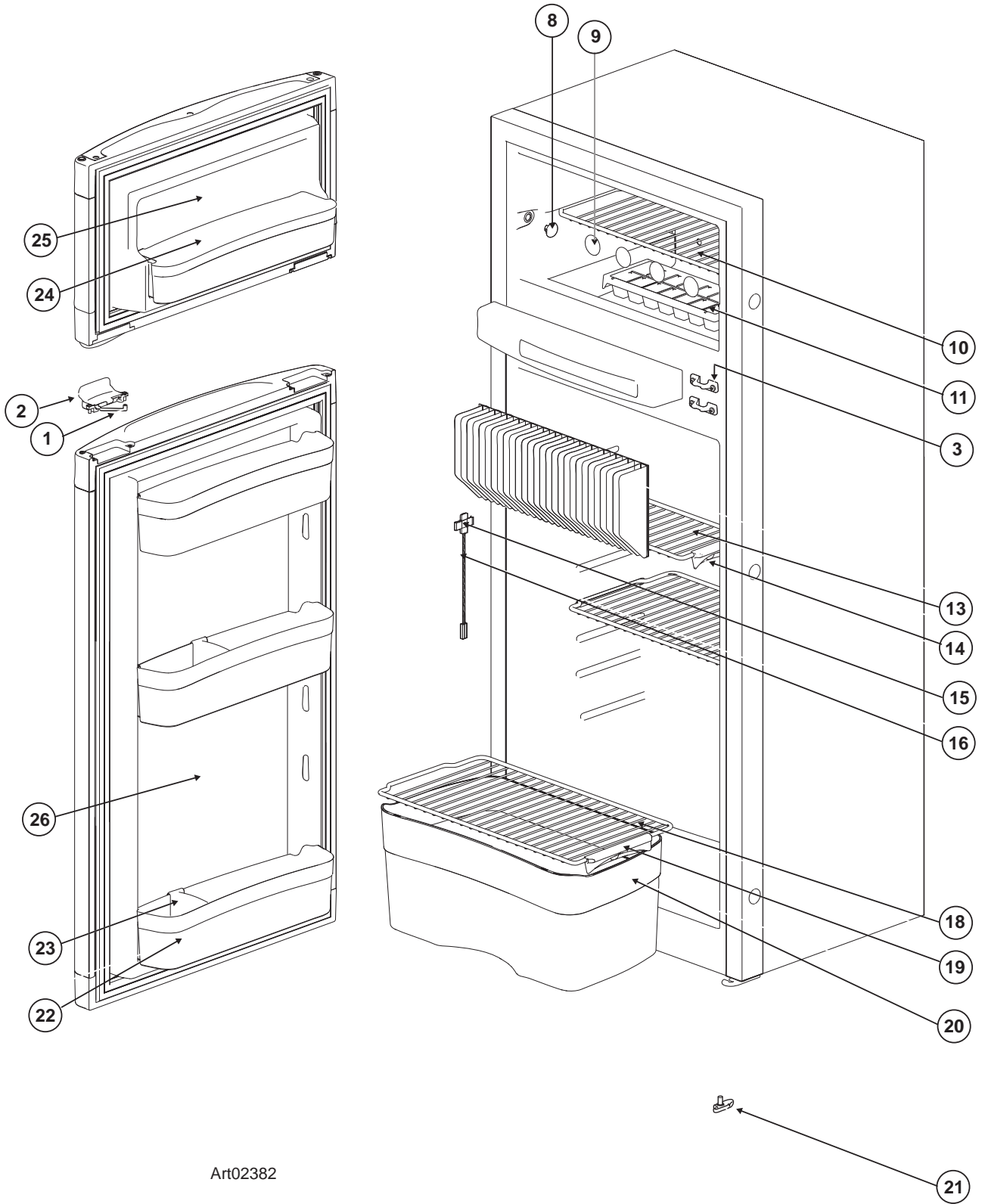
NO.	PART #	DESCRIPTION	N3104
1	636865	HEAT CAP KIT	X
2	690859	HEATER-AC (USE 636866)	X
	636866	KIT-SERVICE HEATER REPLACEMENT	X
3	690860	HEATER-DC (USE 636867)	X
	636867	KIT SERVICE HEATER REPLACEMENT	X
4	690861	BURNER ASSEMBLY (USE 636868)	X
	636868	KIT-SERVICE BURNER ASSY	
5	690862	SPARK ELECTRODE (USE 690877)	X
	690877	SPARK ELECTRODE (USE 636872)	X
	636872	KIT SERVICE SPARK ELECTRODE	X
6	690863	POWER CONTROL BOARD (USE 691449)	X
	691450	KIT- POWER CONTROL BOARD (SN E059S-E365S, E001T-E089T)(USE 691453)	X
	691453	KIT- DISPLAY BOARD/POWER BOARD	X
	691448	KIT- SERVICE POWER BOARD V3 (SNE090T AND ABOVE)	X
	691449	KIT- DISPLAY BOARD/POWER BOARD V1	X
	634639	POWER BOARD HOUSING COVER	X
7	690864	GAS VALVE (USE 636873)	X
	636873	KIT SERVICE GAS VALVE	X
8	690853	THERMISTOR CABLE (CONNECTORS INCLUDED) (USE 636874)	X
	636874	KIT-SERVICE THERMISTOR CABLE REPLACEMENT	X
	690855	LOOSE CONNECTOR TEMP SENSE CABLE (POWER BOARD SIDE)	X
9	690854	COMMUNICATIONS CABLE (CONNECTORS INCLUDED)( USE 636875)	X
	690856	LOOSE CONNECTOR COMMUNICATIONS CABLE (POWER BOARD SIDE)	X
	636875	KIT-SERVICE COMMUNICATION CABLE	X
10	690865	FAN (USE 636876)	X
	636876	KIT FAN REPLACEMENT	X
12	690866	THERMOSTAT-DC FAN (USE 636877)	X
	636877	KIT-THERMOSTAT FAN REPLACEMENT	X
NS	690798	FAN CABLE	X
NS	691446	KIT-SERV-POWER CORD 120VAC	X

NS- NOT SHOWN



NO LONGER AVAILABLE

# CABINET AREA (FRONT VIEW) - N3150



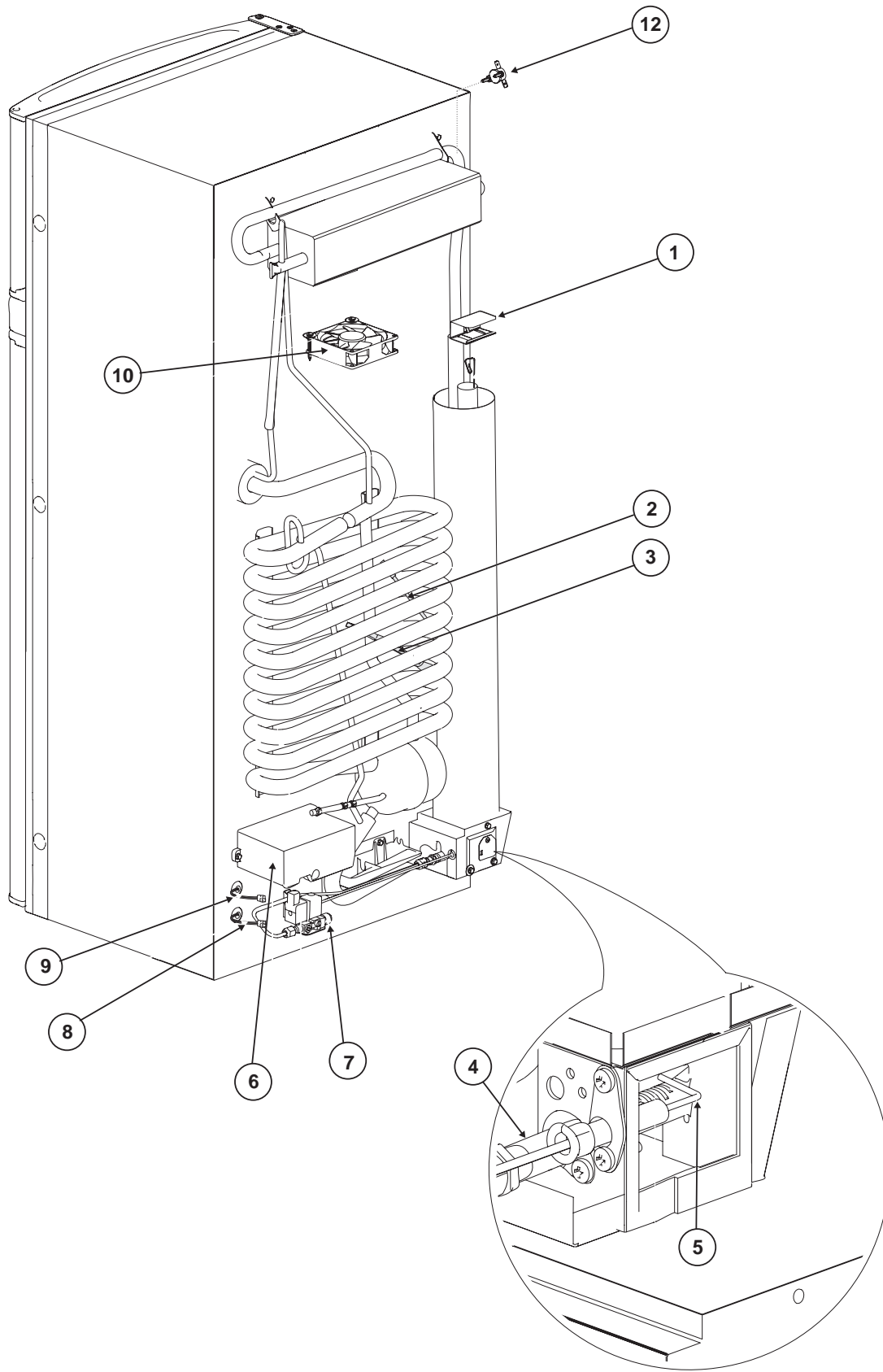
Art02382

## CABINET AREA (FRONT VIEW) - N3150

NO.	PART #	DESCRIPTION	N3150
1	62698527	LATCH-BLACK	X
2	SPARE PART KIT	STORAGE STRAP	X
3		STRIKE PLATE-BLACK	X
8	62362208	CAP (CONTAINS 2 CAPS)	X
9	62447908	CAP-FREEZER BOLT (CONTAINS 12 CAPS)	X
10	69083608	SHELF FREEZER G	X
11	61630422	ICE CUBE TRAY	X
13	69085708	SHELF H	X
14	62362608	SHELF CLIP-SMALL	X
15	623059	FIN CLIP	X
16	623077	THERMISTOR	X
18	69085808	SHELF I	X
19	62362508	SHELF CLIP-LARGE	X
20	62698012	VEGETABLE BIN	X
21	62400127	LATCH BOTTOM	X
22	62697712	DOOR BIN-CURVED DEEP	X
23	62698912	BOTTLE RETAINER	X
24	62697612	DOOR BIN-CURVED SHALLOW	X
25	690154107R	DOOR ASSEMBLY-UPPER	X
26	690153107R	DOOR ASSEMBLY-LOWER	X
NS	69021527	KIT -TO CHANGE REFR DOOR SWING FROM LEFT HINGE TO RIGHT HINGE	X
NS	69021627	KIT -TO CHANGE REFR DOOR SWING FROM RIGHT HINGE TO LEFT HINGE	X
NS	635010	KIT- HINGE LH	X
NS	635011	KIT- HINGE RH	X

NS - NOT SHOWN

# CABINET AREA (REAR VIEW) - N3150



Art02383

## CABINET AREA (REAR VIEW) - N3150

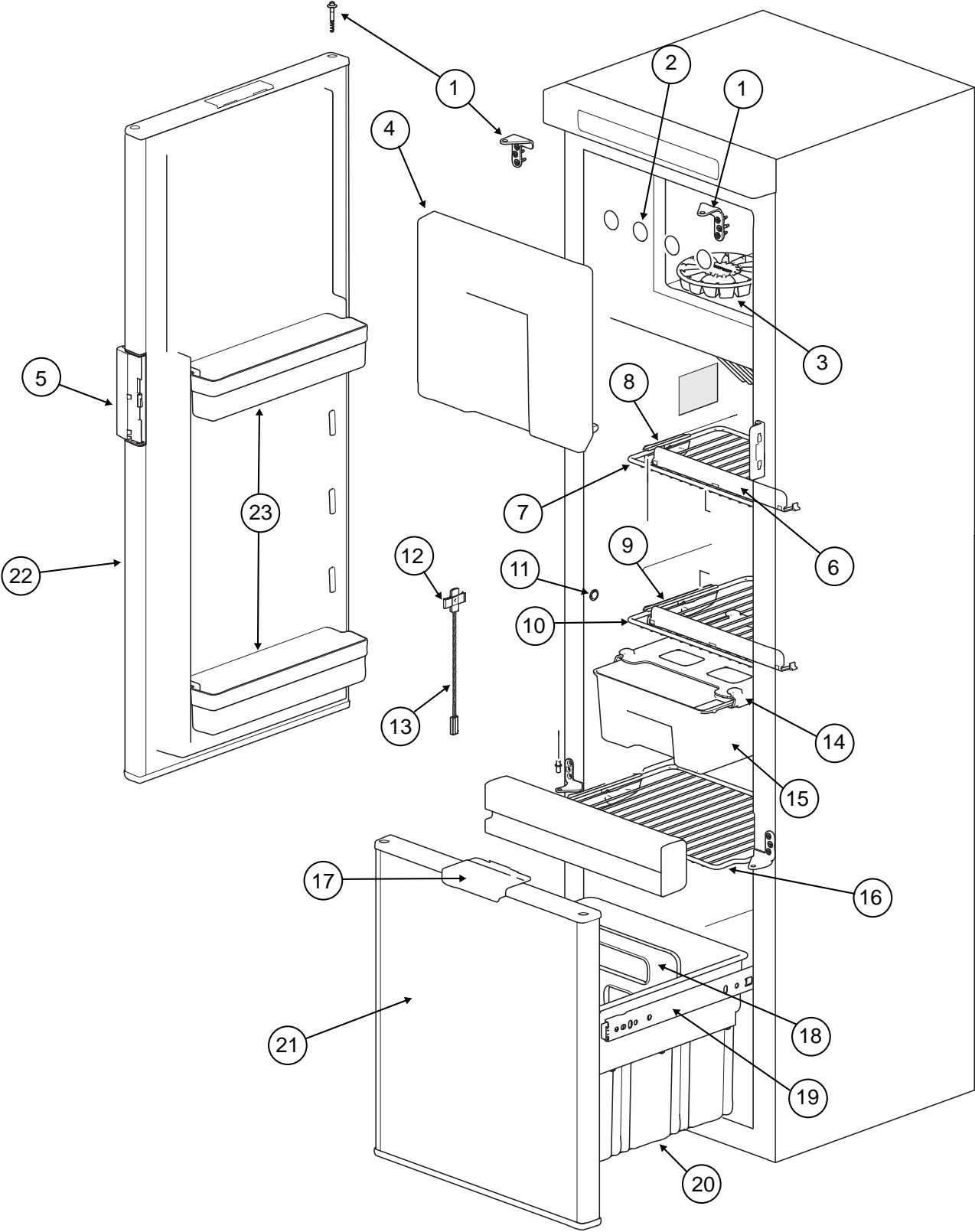
NO.	PART #	DESCRIPTION	N3150
1	636865	HEAT CAP KIT	X
2	690874	HEATER-AC (USE 638215)	X
	638215	KIT-SERVICE HEATER REPLACEMENT	X
3	690875	HEATER-DC (USE 638216)	X
	638216	KIT-SERVICE HEATER REPLACEMENT	X
4	690876	BURNER ASSEMBLY (USE 638986)	X
	638986	KIT-SERVICE BURNER ASSY	X
5	690877	SPARK ELECTRODE (USE 636872)	X
	636872	KIT SERVICE SPARK ELECTRODE	X
6	690863	POWER CONTROL BOARD (USE 691449)	X
	691450	KIT- POWER CONTROL BOARD (SN E055S-E3655, E001T-E089T) (USE 691453)	X
	691453	KIT-DISPLAY BOARD/POWER BOARD	X
	691448	KIT-SERVICE POWER BOARD V3 (SN E090T AND ABOVE)	X
	691449	KIT-DISPLAY BOARD/POWER BOARD V1	X
	634639	POWER BOARD HOUSING COVER	X
7	690864	GAS VALVE (USE 636873)	X
	636873	KIT- SERVICE GAS VALVE	X
8	690853	THERMISTOR CABLE (CONNECTORS INCLUDED)	X
	690855	LOOSE CONNECTOR TEMP SENSE CABLE (POWER BOARD SIDE)	X
9	690854	COMMUNICATIONS CABLE (CONNECTORS INCLUDED) (USE 636875)	X
	690856	LOOSE CONNECTOR COMMUNICATIONS CABLE (POWER BOARD SIDE)	X
	636875	KIT-SERVICE COMMUNICATION CABLE	X
10	690865	FAN (USE 636876)	X
	636876	KIT FAN REPLACEMENT	X
12	690866	THERMOSTAT-DC FAN (USE 636877)	X
	636877	KIT-THERMOSTAT FAN REPLACEMENT	X
NS	690798	FAN CABLE	X
NS	691446	KIT-SERVICE-POWER CORD 120VAC	X

NS- NOT SHOWN

 NO LONGER AVAILABLE



CABINET AREA (FRONT VIEW) - N3141



## CABINET AREA (FRONT VIEW) - N3141

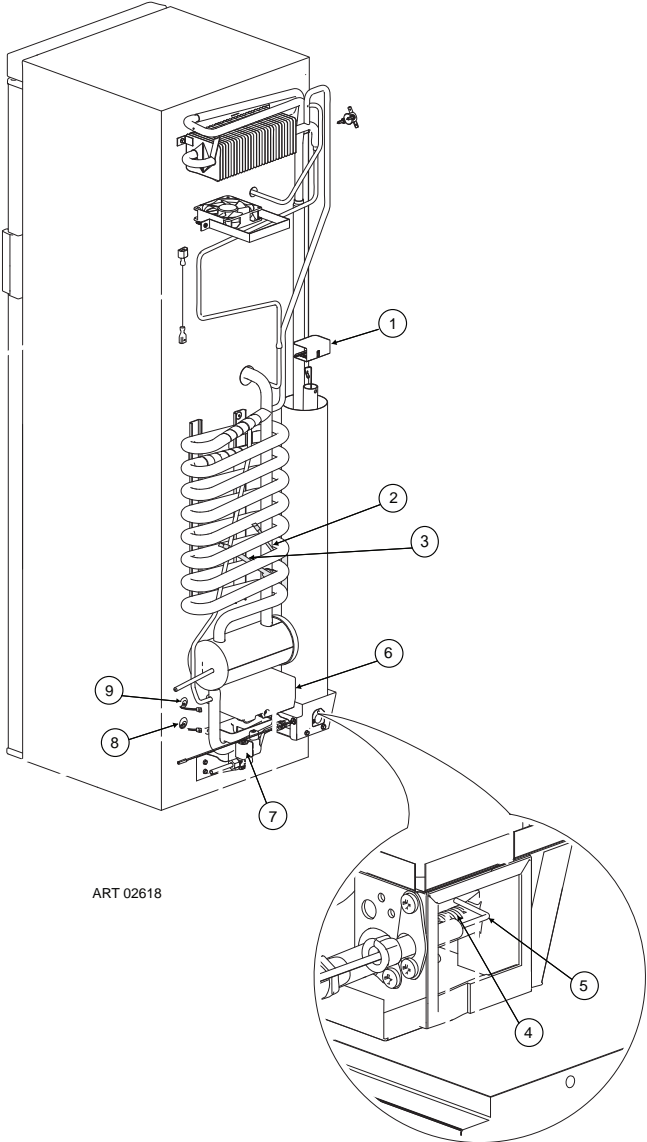
NO.	PART #	DESCRIPTION	N3141
1	691456	KIT- HINGE LH/RH	X
2	62447908	CAP FREEZER BOLT	X
3	61630422	ICE CUBE TRAY	X
4	691112	FREEZER DOOR ASSEMBLY (USE 639186)	X
	639186	KIT-SERVICE FREEZER DOOR REPLACEMENT	X
5	691113	KIT- DOOR HANDLE	X
6	691114	SHELF FOOD RETAINER	X
7	691115	SHELF (USE 691730)	X
	691730	SHELF	X
8	62362608	SHELF CLIP- SMALL	X
9	62362508	SHLEF CLIP- LARGE	X
10	691116	SHELF (USE 691731)	X
	691731	SHELF	X
11	62362208	CAP	X
12	623059	FIN CLIP	X
13	623077	THERMISTOR	X
14	691118	GUIDING COVER	X
15	691119	SLIDE OUT BOX	X
16	691117	SHELF (USE 691732)	X
	691732	SHELF	X
17	691287	DRAWER HANDLE	X
18	691120	DRAWER DIVIDER	X
19	691123	DRAWER GUIDES	X
20	691288	DRAWER BIN	X
21	690521	DRAWER DOOR	X
22	690519	CABINET DOOR	X
23	691121	DOOR BIN	X

NS - NOT SHOWN



NO LONGER AVAILABLE

# CABINET AREA (REAR VIEW) - N3141



ART 02618

LE1396\_N3141\_US\_back

## CABINET AREA (REAR VIEW) - N3141

NO.	PART #	DESCRIPTION	N3141
1	690839	HEAT CAP (USE 639190)	X
	639190	KIT SERVICE HEAT CAP REPLACEMENT	X
2	691124	AC HEATER (USE 639191)	X
	639191	KIT SERVICE HEATER REPLACEMENT	X
3	691125	DC HEATER (USE 639192)	X
	639192	KIT SERVICE HEATER REPLACEMENT	X
4	623058	BURNER ASSEMBLY (USE 639193)	X
	639193	KIT SERVICE BURNER ASSY REPLACEMENT	X
5	690840	SPARK ELECTRODE (USE 639198)	X
	639198	KITSERVICE SPARK ELECTRODE REPLACEMENT	X
6	691101	POWER CONTROL BOARD (USE 639220)	X
	639220	KIT SERVICE POWER BOARD REPLACEMENT	X
7	690810	GAS VALVE (USE 639199)	X
	639199	KIT SERVICE GAS VALVE REPLACEMENT	X
8	690853	THERMISTOR CABLE	X
9	690854	COMMUNICATION CABLE	X
NS	690798	FAN CABLE	X
NS	691446	POWER CORD	X
NS	636877	KIT SERVICE THERMOSTAT FAN	X
NS	636876	KIT SERVICE FAN REPLACEMENT	X

NS- NOT SHOWN

 NO LONGER AVAILABLE

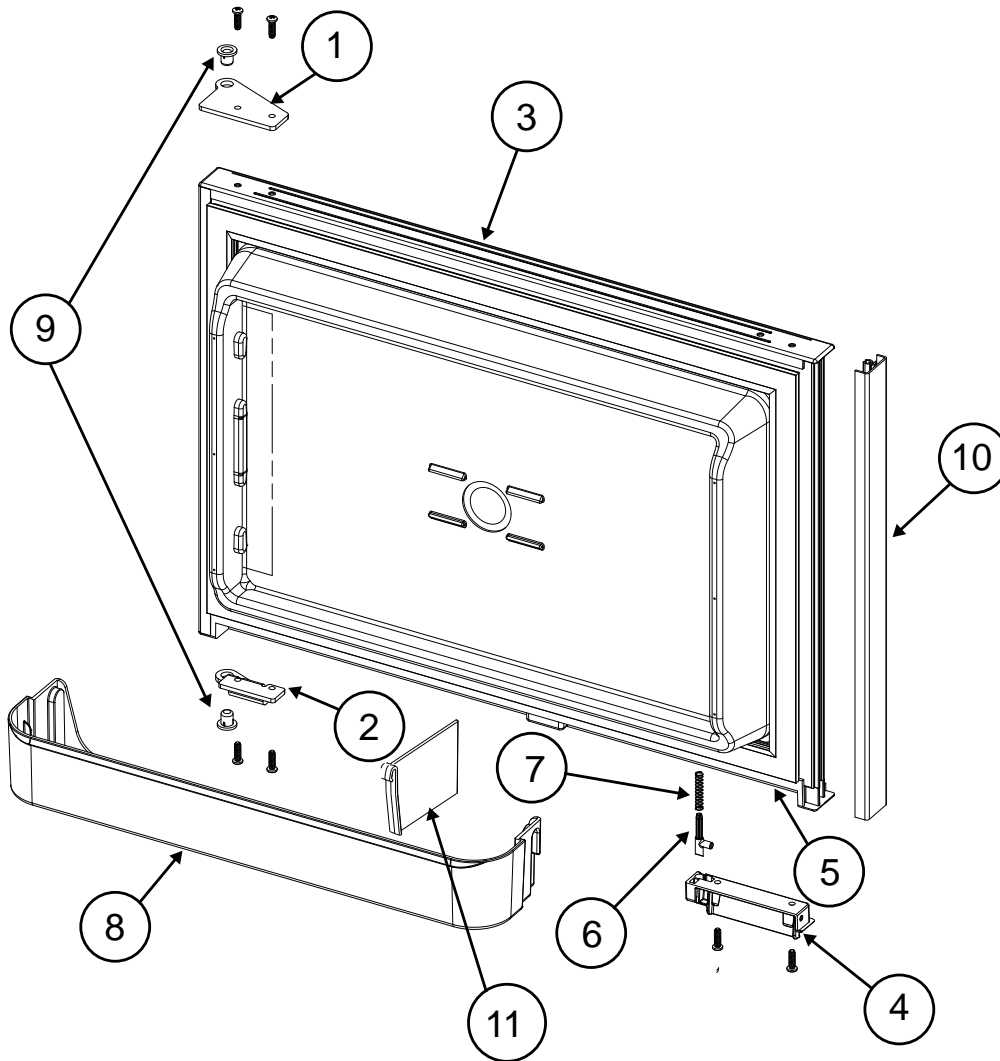


# PARTS LIST

**NX64 / NX84 SERIES  
NXA64 / NXA84 SERIES**

PART NO. 636134  
NORCOLD 3/09/2017

# UPPER DOOR (FREEZER) - NX64/NXA64/NX84/NXA84 SERIES

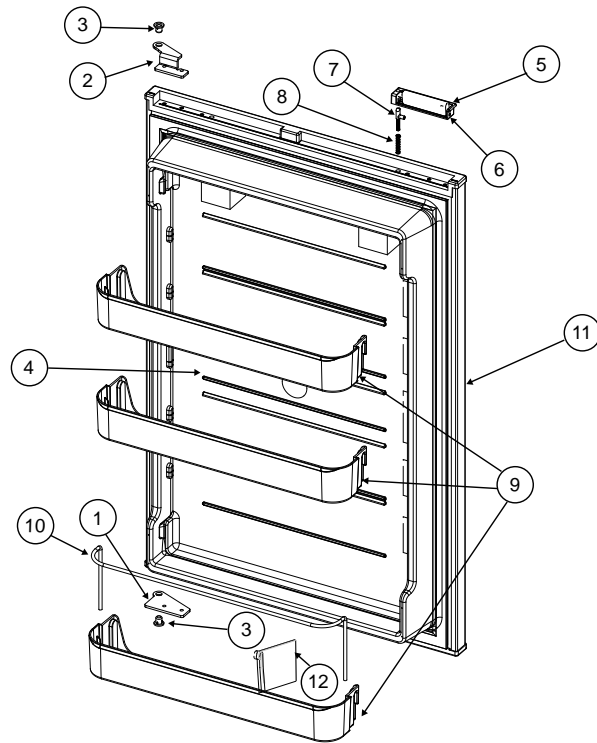


Art02416

NO.	PART #	DESCRIPTION	NX64	NXA64	NX84	NXA84
1	635668	HINGE-FLAT	X	X	X	X
2	635670	HINGE-FORMED, RH	X	X	X	X
3	635645	DOOR ASSY (6')-UPPER/PANEL/BLACK FRAME	X	X	X	X
	635645001	DOOR ASSY (8') -UPPER/PANEL/BLACK FRAME			X	X
	635757	DOOR ASSY (6') -UPPER/WRAP/SS	X	X	X	X
	635757001	DOOR ASSY (8') -UPPER/WRAP/SS			X	X
	635758	DOOR ASSY (6') -UPPER/WRAP/BK	X	X	X	X
	635758001	DOOR ASSY (8') -UPPER/WRAP/BK			X	X
4	635636	DOOR HANDLE-LH	X	X	X	X
5	635634	DOOR HANDLE HOUSING-LH	X	X	X	X
6	635632	CATCH-LH	X	X	X	X
7	627805	SPRING-COMPRESSION	X	X	X	X
8	624864	BIN-DOOR / CLEAR	X	X	X	X
9	635768	HINGE BUSHING (2 PER DOOR)	X	X	X	X
10	635678	PANEL RETAINER (2 PER DOOR)	X	X	X	X
11	619008	DIVIDER-DOOR BIN/CLEAR	X	X	X	X
NS	636362	DOOR PANEL ADAPTER KIT		X		X

NS = NOT SHOWN

# LOWER DOOR (FRESH FOOD) - NX64/NXA64/NX84/NXA84 SERIES



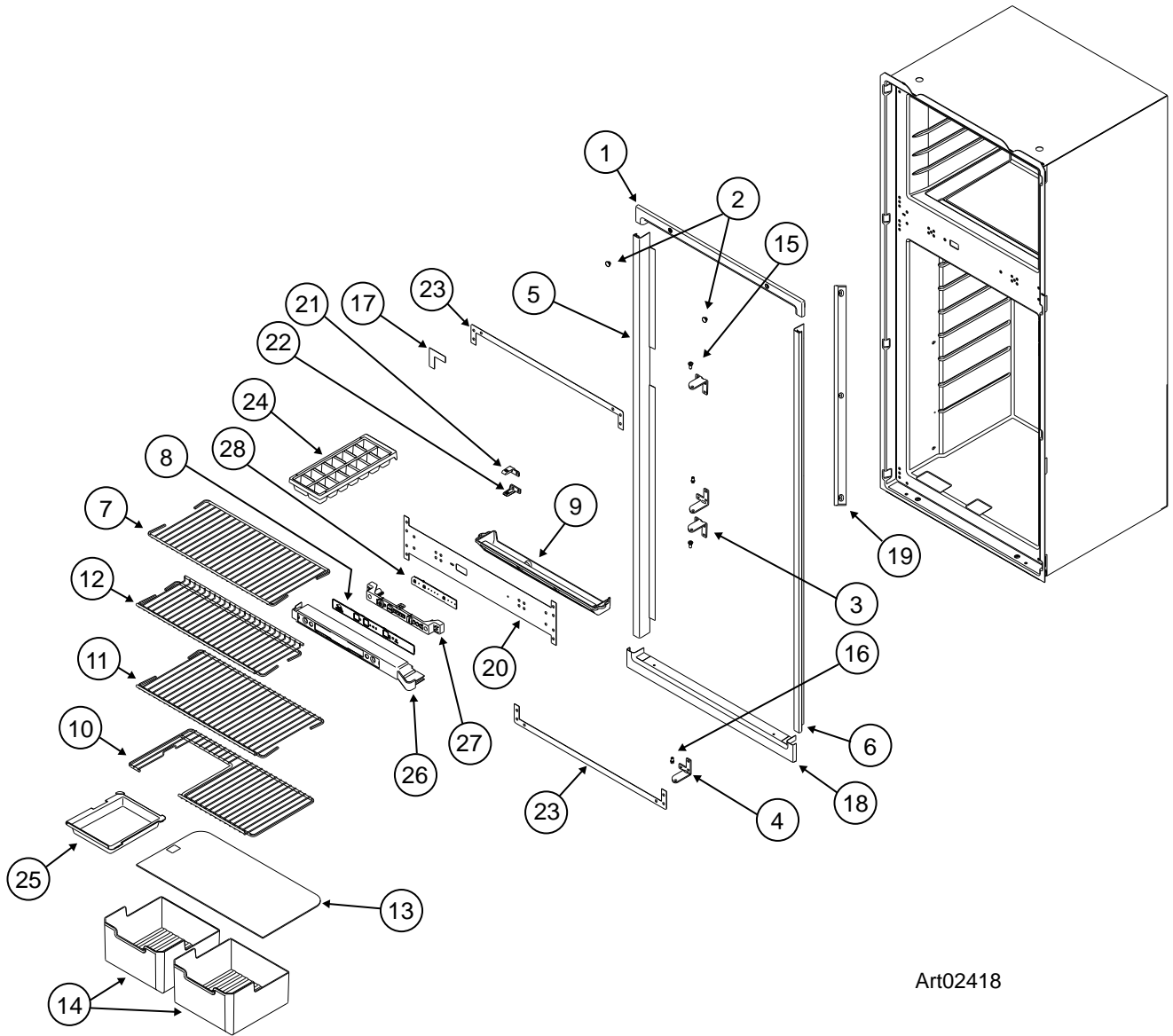
Art02417

NO.	PART #	DESCRIPTION	NX64	NXA64	NX84	NXA84
1	635668	HINGE-FLAT	X	X	X	X
2	635669	HINGE-FORMED-RH	X	X	X	X
3	635768	HINGE BUSHING-DOOR (2 PER DOOR)	X	X	X	X
4	635646	DOOR ASSY-LOWER/6'/PANEL/BLACK FRAME	X	X		
	635647	DOOR ASSY-LOWER/8'/PANEL/BLACK FRAME			X	X
	635759	DOOR ASSY-LOWER/6'/WRAP/SS	X	X		
	635761	DOOR ASSY-LOWER/8'/WRAP/SS			X	X
	635760	DOOR ASSY-LOWER/6'/WRAP/BLK	X	X		
	635762	DOOR ASSY-LOWER/8'/WRAP/BLK			X	X
5	635637	HANDLE-DOOR-RH	X	X	X	X
6	635635	HANDLE HOUSING-RH	X	X	X	X
7	635633	CATCH-RH	X	X	X	X
8	627805	SPRING-COMPRESSION	X	X	X	X
9	624864	BIN-DOOR / CLEAR (3-NX64, 4-NX84)	X	X	X	X
10	624866	WIRE-BIN (USE 632458)	X	X	X	X
	632458	WIRE-BIN	X	X	X	X
11	635679	PANEL RETAINER-6' BLACK (2 PER DOOR)	X	X		
	635680	PANEL RETAINER-8' BLACK (2 PER DOOR)			X	X
12	619008	DIVIDER-DOOR BIN/CLEAR	X	X	X	X
NS	636362	DOOR PANEL ADAPTER KIT		X		X

NS = NOT SHOWN

 PART NO LONGER AVAILABLE

# CABINET AREA (FRONT VIEW) - NX64/NXA64/NX84/NXA84 SERIES



Art02418



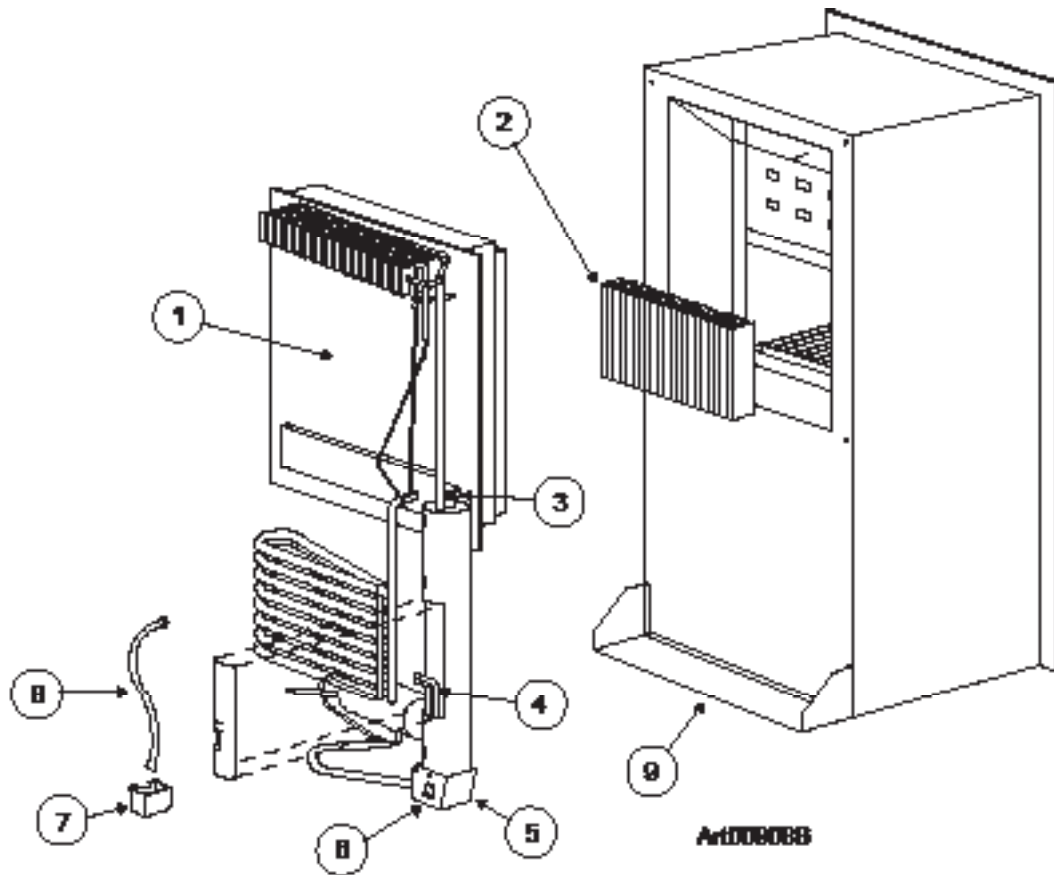
## CABINET AREA (FRONT VIEW) - NX64/NXA64/NX84/NXA84 SERIES

NO.	PART #	DESCRIPTION	NX64 NXA64	NX84 NXA84
1	622319	TRIM PIECE ASSY-TOP/WITH INSERTS/BLACK (USE 622325)	X	X
2	618170	HOLE PLUG-FOR TOP TRIM PIECE/BLACK (2 PER CABINET)	X	X
3	635666	HINGE-CABINET-FORMED-LH (2 PER CABINET)	X	X
4	635667	HINGE-CABINET-FORMED-RH (2 PER CABINET)	X	X
5	635799	TRIM SIDE-RH-6' BLK	X	
	635801	TRIM SIDE-RH-8'-BLK		X
6	635800	TRIM SIDE-LH-6' BLK	X	
	635802	TRIM SIDE-LH-8'-BLK		X
7	620250	SHELF-WIRE/FREEZER (S/N 17945280 AND BELOW)	X	X
	632446	SHELF-WIRE/FREEZER (S/N 17945281 AND ABOVE)	X	X
8	635774	FAÇADE-PRINTED (USE SN 22934065 AND BELOW)	X	X
	637397	LABEL FAÇADE BEST (USE SN 22934066 AND ABOVE)	X	X
9	623250	DRIP TRAY-INSIDE (ONE PIECE DRIP TRAY & LOUVER)	X	X
10	620268	SHELF-WIRE/CUT OUT ( (S/N 17945280 AND BELOW))	X	X
	632447	SHELF-WIRE/CUT OUT (S/N 17945281 AND ABOVE)	X	X
11	620270	SHELF-WIRE/FULL (1-NX61, 2-NX84) ( (S/N 17945280 AND BELOW))	X	X
	632449	SHELF-WIRE/FULL (1-NX61, 2-NX84) (S/N 17945281 AND ABOVE)	X	X
12	620269	SHELF-WIRE/SHORT ( (S/N 17945280 AND BELOW))	X	X
	632448	SHELF-WIRE/SHORT (S/N 17945281 AND ABOVE)	X	X
13	618158	CRISPER COVER-GLASS SHELF	X	X
14	619007	CRISPER-CLEAR (2 PER CABINET, 3 PER ICE MAKER CABINET)	X	X
15	635777	HINGE PIN-LOWER (2 PER CABINET)	X	X
16	635778	HINGE PIN-UPPER (2 PER CABINET)	X	X
17	635769	COVER-HINGE HOLE (2 PER CABINET)	X	X
NS	636172	COVER-CENTER HINGE HOLE (1 PER CABINET)	X	X
18	622323	TRIM PIECE FOAM TAPE ASSY-BOTTOM/BLACK	X	X
19	622033	SHELF RETAINER	X	X
20	635781	DIVIDER COVER	X	X
21	635664	STRIKE PLATE-LH-BLACK	X	X
22	635665	STRIKE PLATE-RH-BLACK	X	X
NS	636227	STRIKE PLATE	X	X
23	635767	TRIM STRIP-SELF ADHESIVE (2 PER CABINET)	X	X
24	61630422	ICE CUBE TRAY (2 PER CABINET-NON ICE MAKER ONLY)	X	X
25	617756	TRAY-CUT OUT SHELF	X	X
26	635623	CONTROL HOUSING (USE 636354)	X	X
NS	636354	CONTROL COVER (REQUIRES 636227 STRIKE PLATE) USE 637773	X	X
NS	637773	CONTROL COVER (USE SN 22934066 AND ABOVE)	X	X
27	635624	BUTTON RETAINER	X	X
28	631365	CONTROL BOARD (USE 638997)	X	X
	638997	KIT SERVICE CONTROL BOARD REPLACEMENT	X	X
NS	622325	KIT-INSTALLATION/BLACK (TRIM PIECES/SCREWS/PLUGS)	X	X

NS = NOT SHOWN

PART NO LONGER AVAILABLE

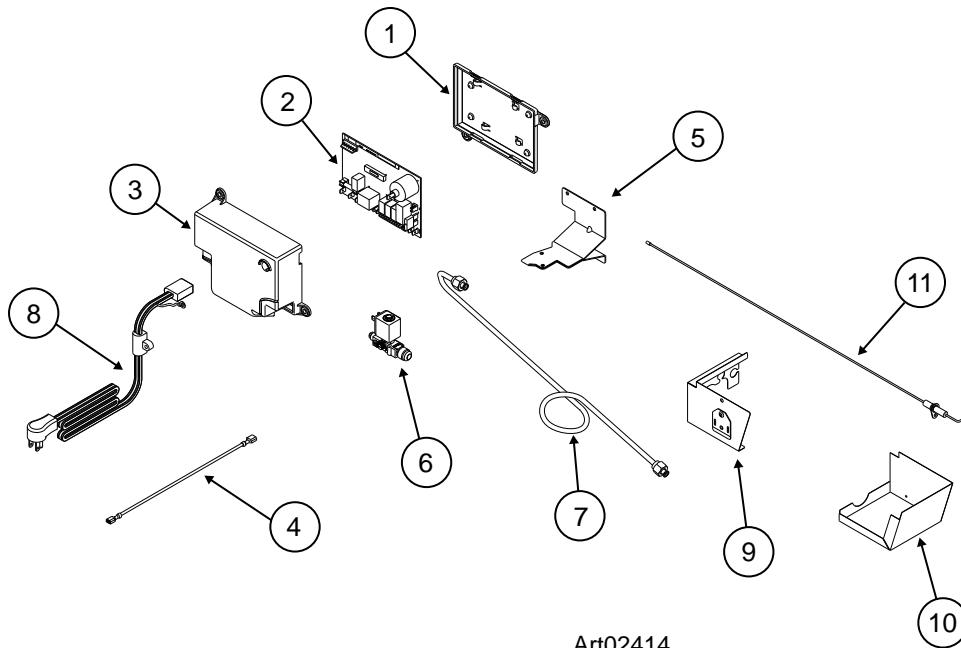
# CABINET AREA (REAR VIEW) - NX64/NXA64/NX84/NXA84 SERIES



NO.	PART #	PART DESCRIPTION	NX64 NXA64	NX84 NXA84
1	632307	NSC SYSTEM PACK-COOLING UNIT (BACKER HEATER)	X	
	632314	NSC SYSTEM PACK-COOLING UNIT (BACKER HEATER)		X
NS	2M0802	THERMAL SWITCH/BRACKET ASSY	X	X
NS	618111	BAFFLE DIFFUSER/WIRE ASSY-COOLING UNIT	X	X
2	61686823	FINS	X	X
3	61695022	CAP-HEAT DEFLECTOR	X	X
4	630811	HEATER-AC/BACKER	X	X
	630812	HEATER-DC/BACKER (3 WAY MODELS ONLY)	X	X
5	61695322	BASE-BURNER BOX	X	X
6	61712637	COVER ASSY-BURNER BOX	X	X
7	622546	DRIP CUP-REAR/PLASTIC	X	X
8	622390	DRAIN HOSE ASSY	X	
	622391	DRAIN HOSE ASSY		X
9	61586722	BRACE-CABINET BACK	X	X

NS = NOT SHOWN

# CONTROLS (REAR VIEW) - NX64/NXA64/NX84/NXA84 SERIES

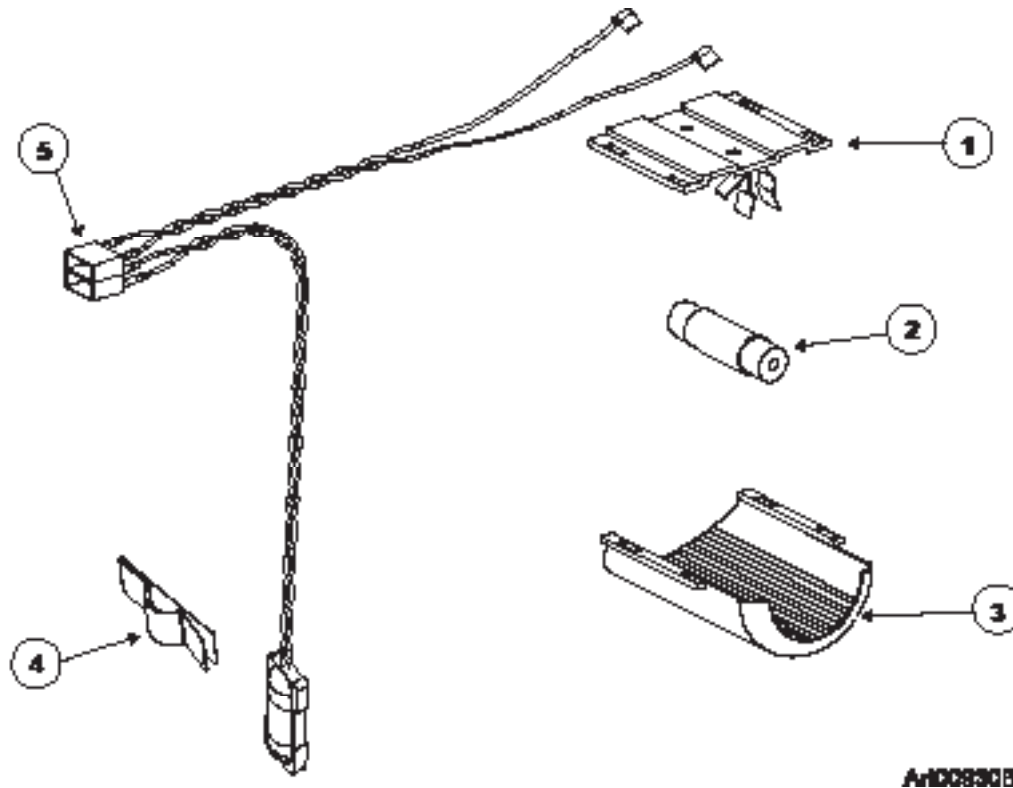


Art02414

NO.	PART #	PART DESCRIPTION	NX64 NXA64	NX84 NXA84
1	628674	BASE-POWER BOARD	X	X
	628675	BASE-POWER BOARD (3 WAY MODELS ONLY)	X	X
2	628661	POWER BOARD	X	X
NS	628669	POWER BOARD - DC (3 WAY MODELS ONLY) (USE 637764)	X	X
	637764	KIT SERVICE DC POWER BOARD REPLACEMENT	X	X
3	628677	COVER-POWER BOARD	X	X
	628678	COVER-POWER BOARD (3 WAY MODELS ONLY)	X	X
4	621448	WIRE-WHITE 9" (2 PER CABINET)	X	X
5	628993	BRACKET-GAS VALVE	X	X
6	633726	GAS VALVE	X	X
7	624682	BURNER TUBE	X	X
8	61554422	CORD-AC POWER/BLACK (NON ICE MAKER MODELS ONLY)	X	X
	618406	CORD-AC POWER (ICE MAKER MODELS ONLY)	X	X
9	61712637	COVER ASSY-BURNER BOX	X	X
10	61695322	BASE-BURNER BOX	X	X
11	61692222	ELECTRODE-SPARK/SENSE/SINGLE ELECTRODE/0.25" (USE 638097)	X	X
	638097	KIT SERVICE SPARK SENSE ELECTRODE REPLACEMENT	X	X
NS	621957	KIT-BURNER/ORIFICE ADAPTER ASSY	X	X

NS = NOT SHOWN

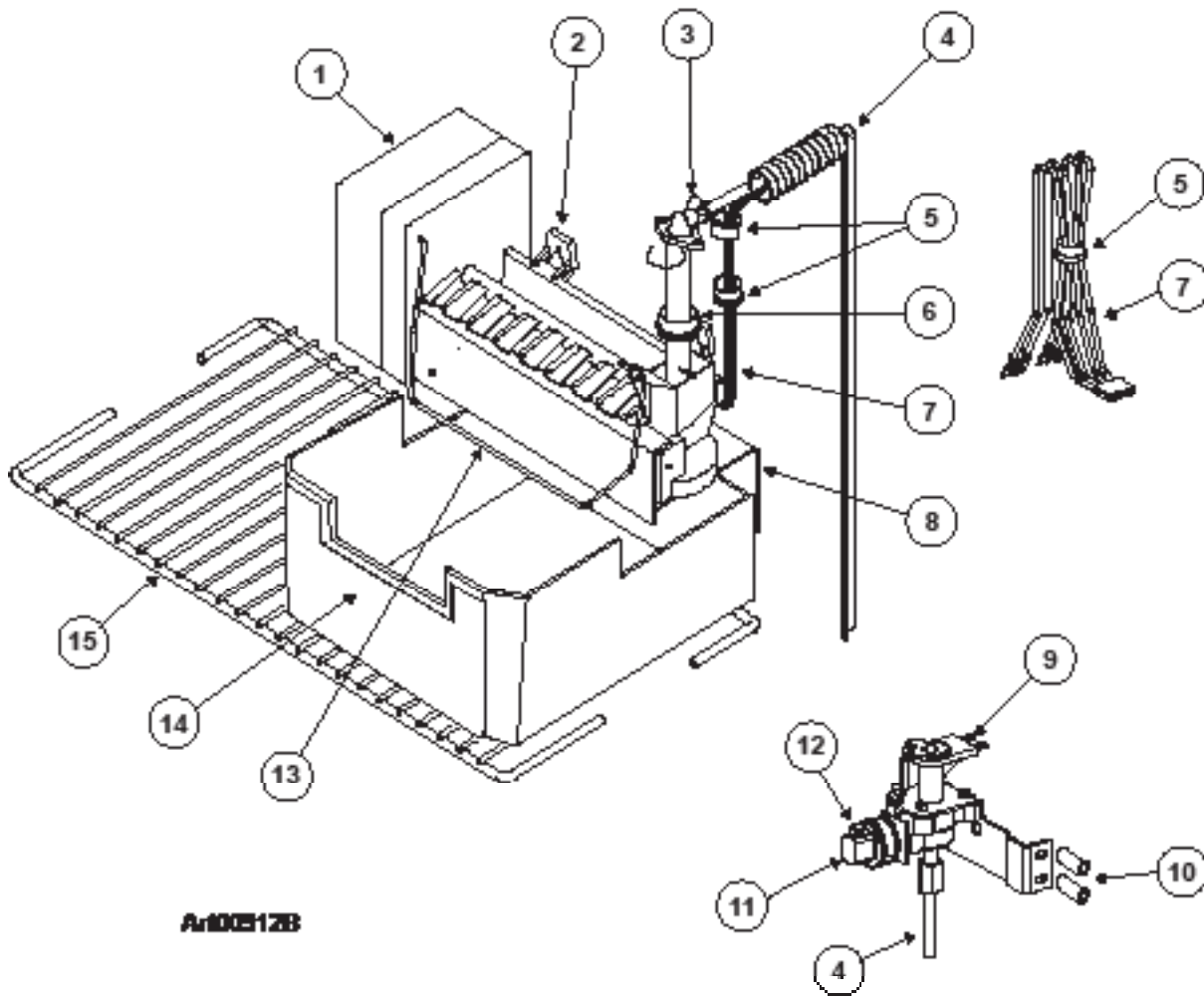
# INTERIOR LIGHT AND THERMISTER ASSY - NX64 /NXA64/NX84/NXA84 SERIES



Am00830B

NO.	PART #	PART DESCRIPTION	NX64	NX84
1	61629722	LAMP BRACKET ASSY	X	X
2	632545	LAMP-DC LIGHT BULB	X	X
3	621827	COVER-LAMP BRACKET	X	X
4	633734	CLIP-THERMISTER MOUNTING/FIN	X	X
5	618548	LAMP THERMISTER WIRE ASSY	X	X

# ICE MAKER AREA - NX64/NXA64/NX84/NXA84 SERIES - ICE MAKER MODELS



Art005128

NO.	PART #	PART DESCRIPTION	NX64IM	NX84IM
1	61656822	COVER-FRONT / ICEMAKER	X	X
2	633324	KIT-ICE MAKER	X	X
3	61690822	CLAMP-TUBING / IM	X	X
4	617869	TUBE- WATER FEED	X	X
5	61346822	BUSHING-SNAP	X	X
6	620659	FITTING-WATER TUBE	X	X
7	618407	WIRE HARNESS / IM	X	X
8	620889	BRACKET-MOUNTING / IM	X	X
9	633325	KIT-WATER VALVE / SINGLE PORT	X	X
10	618169	SPACER-WATER VALVE / NYLON	X	X
11	61679622	GARDEN HOSE ADAPTER-STRAIGHT / IM	X	X
12	622991	NUT-COMPRESSION / WATER VALVE FITTING-PLASTIC	X	X
13	61656922	SHUT OFF ARM / IM	X	X
14	619007	BIN-ICE / CRISPER - CLEAR	X	X
15	632445	SHELF-WIRE / FREEZER	X	X
NS	621429	WATER TUBE / HEATER ASSY	X	X
NS	623182	KIT-OEM WATER TUBE FITTINGS / IM	X	X

NS = NOT SHOWN

## FAN MODEL COMPONENTS - NX64/NXA64/NX84/NXA84 SERIES

PART #	PART DESCRIPTION	WITHOUT ICE MAKER	WITH ICE MAKER
628747	BRACKET-DC FAN	1	1
61417922	CABLE TIE-NYLON (3 PER REFRIGERATOR)	3	4
628685	FAN-EXTERNAL-DC	1	1
618093	THERMOSTAT-DC FAN / THERMO DISC	1	1
618950	WIRE MOUNT-ADHESIVE (2 PER REFRIGERATOR)	2	2
621943	WIRE-60"	1	1
628758	WIRE-AUXILLARY/OUTPUT/BLACK	1	1
628759	WIRE-AUXILLARY/OUTPUT/RED	1	1
629883	WIRE ASSY	1	1
629882	WIRE ASSY	1	1
619017	WIRE-6" BLACK		1
618978	WIRE-FAN-RED 6"		1