

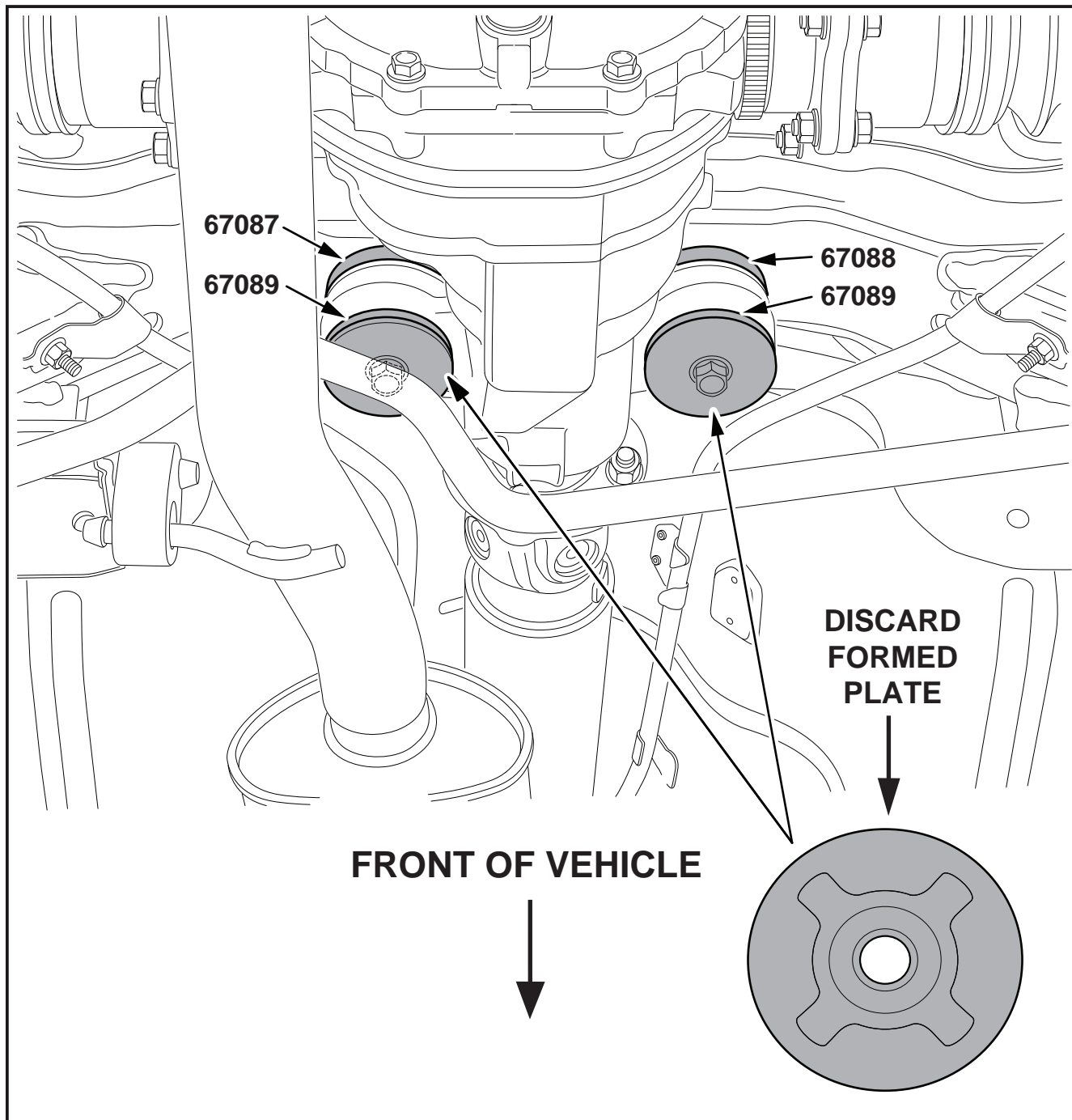
# Installation Guide

## Differential Positive Power Kit

Suits: Nissan 350Z G35 '03 on

*(Always refer to the current catalogue for complete application listings)*

**N.B:** These instructions should be used in conjunction with the workshop manual



**NOTE: REMOVE FORMED PLATE (REFER DIAGRAM) FROM UNDER LARGE WASHERS INDICATED AND DISCARD.**

**NOTE: RE-USE LARGE FLAT WASHERS.**

**N.B:** It is recommended that a licenced workshop or trades person carry out the above procedure and that workshop manual and relevant safety procedures are followed in addition to the above.