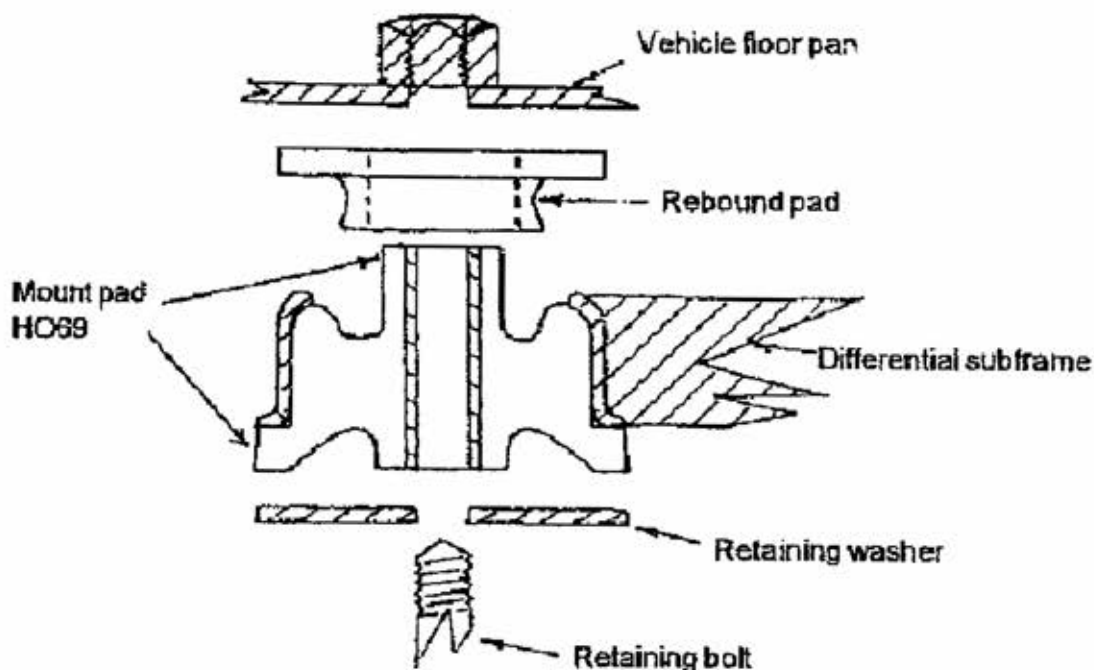


# Instruction

## Subframe Mount

1. Support the vehicle and rear subframe/differential assembly.
2. Remove centre bolts and retaining washers from each side of the subframe. With a screwdriver or pointed lever prise rubber mounts from cross member in a downward direction.
3. Install the 2 mounts into the subframe eyes - at the same time install the 2 rebound pads above the mounts on each side of the vehicle.
4. Refit centre bolts and retaining washers as recommended in the workshop manual.



**NOTE: IT IS RECOMMENDED THAT THE ABOVE PROCEDURE IS CARRIED OUT BY A LICENCED WORKSHOP OR TRADESPERSON**