

# Fitting Instructions

## Sub frame mounting bushes

Code: Z5066

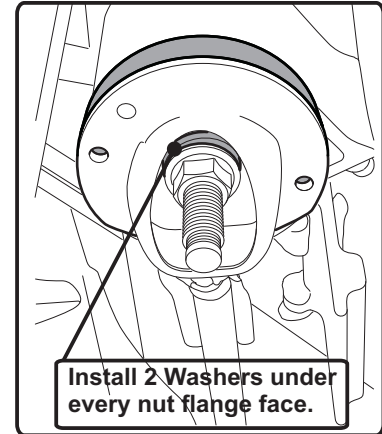
### Application:

- Nissan 350Z Z33

Always refer to current catalogue for complete application listing.

### Contents:

2 x 67082 bushes  
2 x 67083 bushes  
2 x 67084 bushes  
2 x 67085 bushes  
8 x 5W070 washers 16.4x30x2.9mm  
2 x F1099 tube 32x21.6x77  
2 x F1100 tube 32x21.6x80  
1 x grease sachet



### Fitting Instructions:

Please read complete fitting instructions and check kit components prior to fitment. These instructions are to be used in conjunction with workshop manual, and it is recommended that all work be carried out by a qualified technician.

1. Raise the rear of the vehicle and using suitable chassis stands support the vehicle.
2. Remove the rear road wheels from the vehicle.
3. Remove the rear section of the exhaust.
4. Remove the prop shaft, handbrake cables, and plastic cover shields.
5. Disconnect the wheel speed sensor plug mounted on the rear sub frame.
6. Remove the lower shock absorber bolts, brake caliper retaining bolts and front frame mounting braces.
7. Support the rear sub frame assy with a suitable lifting device and remove the retaining bolts.
8. Lower the sub frame assy slowly making sure that the frame doesn't get caught on the dowel pins.
9. Using a suitable bush removal tools, cut the shell bushes out of the sub frame taking care not to damage the frame.
10. Install the supplied bushes into the frame in the correct position taking note of the orientation of the voiding at the same time.

**NOTE: Install the bushes so the voiding points to the opposing mount.**

11. Apply liberal amounts of grease to the inside bore of the bushes and insert the tubes.
12. Re-install the sub frame to the vehicle making sure that two washers are installed under each of the nut flange's. This will eliminate any chance of the nut bottoming out.
13. Re-install removed vehicle components.
14. Carry out a wheel alignment.
15. it is recommended to re-tension all bolts after travelling a distance of no more than 100 km.

