

Installation Guide

Toe Link Lock Washer Set

Suits: VE Commodore, Pontiac G8

Z 5051

(CANNOT BE USED ON VEHICLES FITTED WITH BLADE STYLE ARM)

(Always refer to the current catalogue for complete application listings)

N.B: This installation guide should be used in conjunction with the workshop manual

1. Raise rear of vehicle and place chassis stands under rear of sill section at jack points.

2. Remove the rear wheels and the rear toe link inner retaining bolts and lower the toe arm out of the way.

NOTE: it may be necessary to lower the rear cradle to remove the left hand side bolt.

3. Inspect elongated hole for fitment of supplied offset locking washer refer Fig.3

4.(A) Fit supplied eccentric locating lock washers to front and rear chassis elongated hole and refit arm using the OE bolt and nut as per Fig.1

OR

(B) Using suitable hand tools file the supplied locating lock washer (refer to Fig.2) until the washer locates correctly and the bolt and toe arm can be refitted, refer to Fig.1

OR

(C) If it is determined that the end of the elongated hole has the flat section as per Fig.3 image C, then it is necessary to radius the elongated slot to accept the locking washer which would allow for the correct bump steer characteristics.

5. Refit all removed components and tension to manufacturers specifications.

6. Carry out wheel alignment and road test.

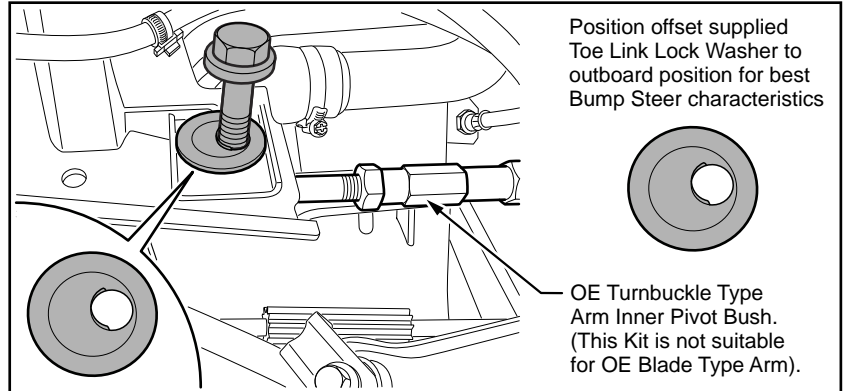


Fig.1

NOTE:

Due to manufacturers tolerances and model specific variations some filing at this point may be required.

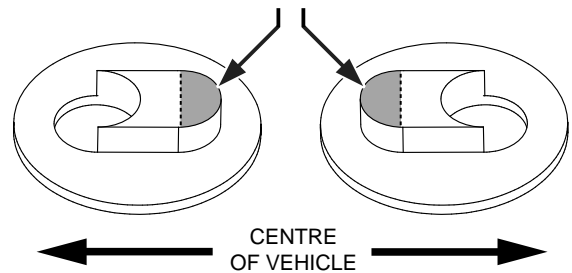


Fig.2

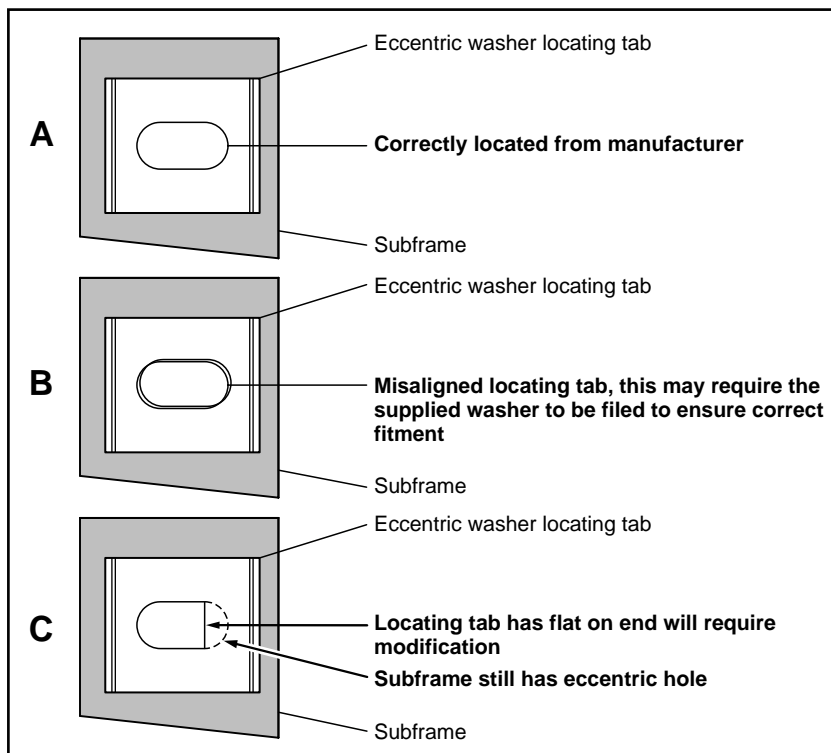


Fig.3

N.B: It is recommended that a licenced workshop or trades person carry out the above procedure and that workshop manual and relevant safety procedures are followed in addition to the above.

FOR FITMENT VIA FIG.3 SECTION C – modification required.

A. Support the rear subframe and remove the 4 x retaining bolts.

B. Lower the subframe so as to be able to access the front point of the toe link inner pivot bolt elongated slot as per Fig.1

C. Using suitable tools file the flat end of the slot only until the supplied locking washer and the retaining bolt fit in place as per Fig.1

D. Access the inner pivot point from the rear of the cradle and using a suitable tool file the flat end only until the supplied locking washer and the retaining bolt fit in place as per Fig.1

5. Refit all removed components and tension to manufacturers specifications.

6. Carry out wheel alignment and road test.