

Installation Guide

FRONT UPPER CONTROL ARM BUSHINGS

Suits : TOYOTA LAND CRUISER 200 SERIES

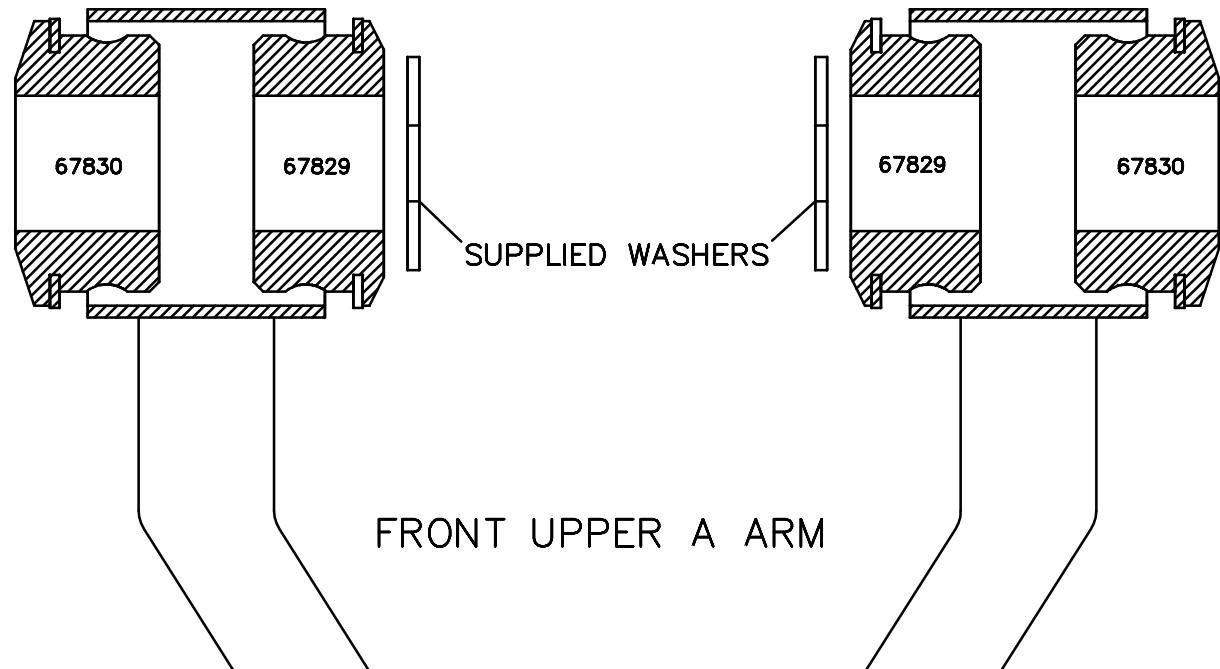
(Always refer to the current catalogue for complete application listings).

N.B. This install guide should be used in conjunction with the workshop manual.

FITTING GUIDE – BUSHING CONFIGURATION

1. Raise vehicle and safely support.
2. Remove the front upper control arms.
3. Remove the OE bushings by drilling through the rubber then cutting through the outer shell.
4. Push bushings 67829 into control arm eyelet from inside of control arm.
5. Proceed to push bushing 67830 into eyelet from outside of arm.
6. Generously grease the ID and outer faces of bushings prior to install.
7. When re fitting the arm, place the supplied washers on inside of arm as per image.
8. Re install OE retaining bolt but do not tighten until vehicle is at ride height. Tighten to OEM specifications.

Note: Tighten main retaining bolt at ride height.



N.B. It is recommended that a licenced workshop or trades person carry out the above procedure and that workshop manual and relevant safety procedures are followed in addition to the above.