

Installation Guide

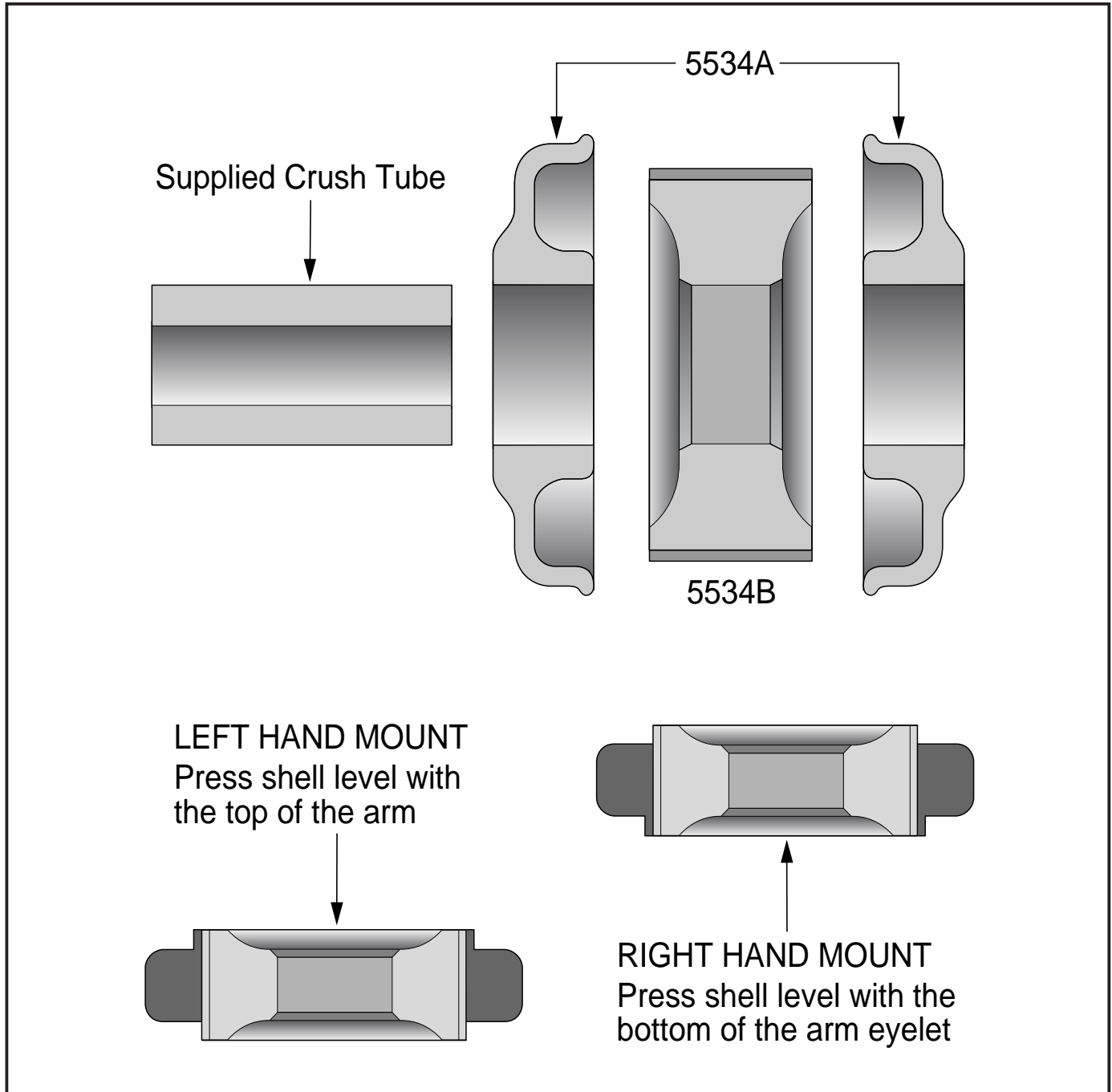
Front Lower Control Arm Rear Bush

Z 5042

Suits: Daewoo Kalos T200 - 03/04, Holden Barina TK - 05 on

(Always refer to the current catalogue for complete application listings)

N.B: This installation guide should be used in conjunction with the workshop manual.
All fastener torque settings should be adhered to.



N.B: It is recommended that a licenced workshop or trades person carry out the above procedure and that workshop manual and relevant safety procedures are followed in addition to the above.