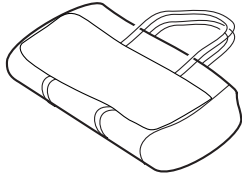




Model #13 Series

PACKAGE COMPONENTS

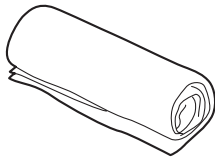
Tent Bag



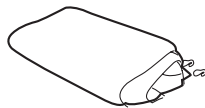
Tent Tie Straps (2)



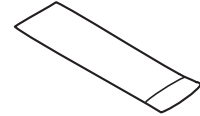
Tent



Rainfly



Pole Bag

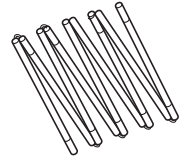


Tent poles (4)

Black Poles (2) - Corner to Corner

Light Grey Poles (1) - Top

Green Poles (1) - Tailgate



Instructions



If you are missing parts, do not return to the store.

WARNING

- Keep all flame and heat sources away from the tent fabric. The tent is made with flame-resistant fabric which meets CPAI-84 specifications. It is not fireproof. The fabric will burn if left in continuous contact with any flame source. The application of any foreign substance to the tent fabric may render the flame-resistant properties ineffective.
- To prevent carbon monoxide from entering the vehicle and tent area, do not run the engine, do not cook inside the tent, and do not use a gas heater in the tent. Carbon monoxide is dangerous to your health.
- **Engine must be off and exhaust must be fully cooled before tent installation and use.**

CAUTION

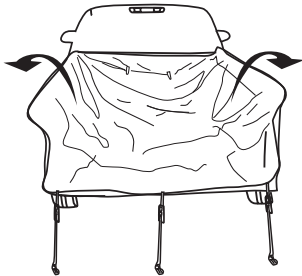
- Never smoke inside the tent. Never use candles, light matches or allow any type of open flame in or near the tent.
- Do not cook inside the tent.
- Do not store flammable liquids inside the tent.
- Allow adequate ventilation inside the tent at all times.
- Never refuel lanterns, heaters or stoves inside the tent.
- Do not smoke inside the tent.
- NEVER run the engine when the tent is attached to the vehicle.
- When the temperature is below freezing, do not install the tent when your vehicle is wet as it may cause damage.
- Do not attempt to drive the vehicle with the tent attached.

SELECT CAMPSITE

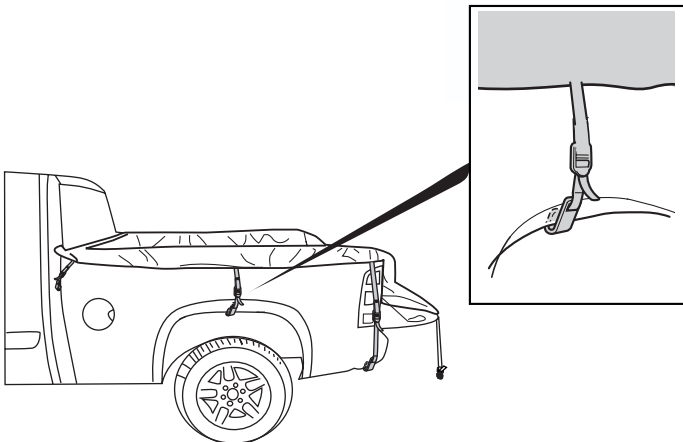
- Select a level campsite
- Park the vehicle into the chosen campsite with the vehicle in park and turned off. Apply the parking brake.

SETTING UP THE TENT

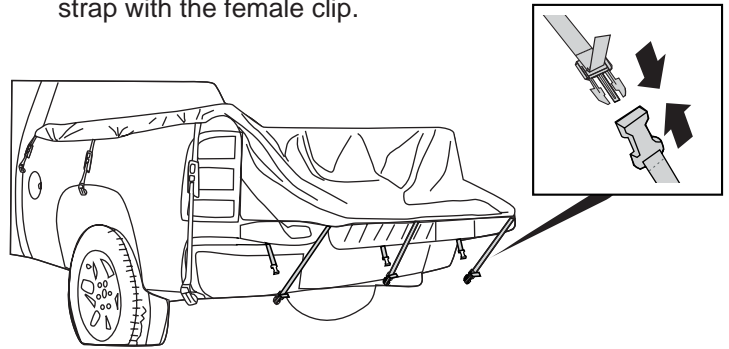
- 1) Lower the truck's tailgate.
- 2) Remove the tent from the tent bag and lay it flat on the ground. Locate the front door and place this end at the tailgate with the other end towards the cab.



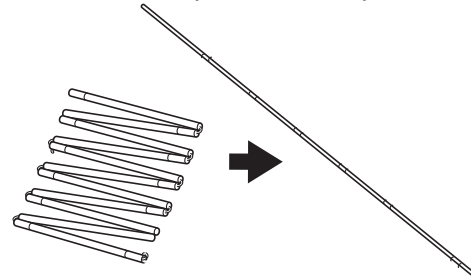
- 3) Locate the tent side straps (3 per side). Loosely attach strap to the truck's body.



- 4) Locate the tent tailgate straps (3). Slide the 3 straps with male clip between the truck box and the tailgate. Connect the strap with the male clip to the corresponding strap with the female clip.



- 5) Assemble the tent poles by unfolding each section. Below is a list of the poles and the placement.



Pole

Black poles (A)

Light Gray pole (B)

Green pole (C)

Location

Corner-to-Corner

Top

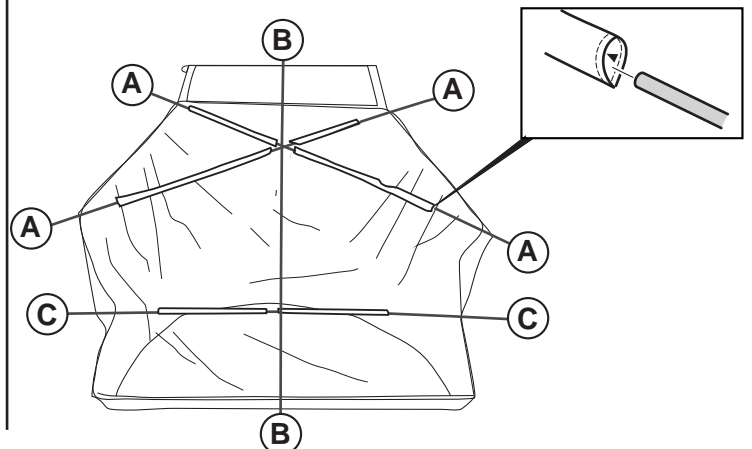
Tailgate

- 6) Inserting the poles into the corresponding color sleeve. Do not place the poles into the pole pockets at this time.

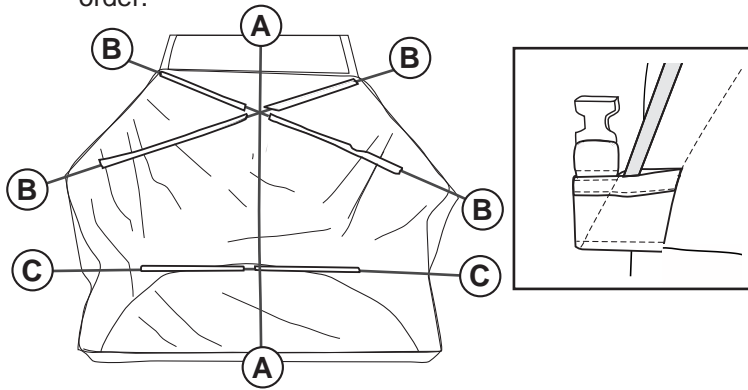
A) Slide the black pole diagonally, corner-to-corner going through the pole sleeves in the roof of the tent. Repeat for the other black pole.

B) Slide the light gray pole underneath the pole sleeve in the roof of the tent, going the length of the tent. Attach the pole clips to the pole.

C) Slide the green pole into the corresponding pole sleeve at the front (tailgate) of the tent.



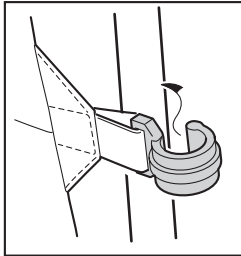
- 7) Insert the poles into the pole pockets in the following order.



- A) Insert the light gray (top) pole into the grey webbing pocket by the truck's cab and above the doors.
- B) Insert the black (corner-to-corner) pole into the black pole pocket near the truck's cab. Insert the other end into the black pole pocket by the end of the box in the opposite corner. Repeat with the other black pole.
- C) Insert the green (tailgate) pole into the pole pockets at the tailgate.

NOTE: The poles may get stuck on the pole sleeves. Do not force the pole, simply lead the pole through the sleeve.

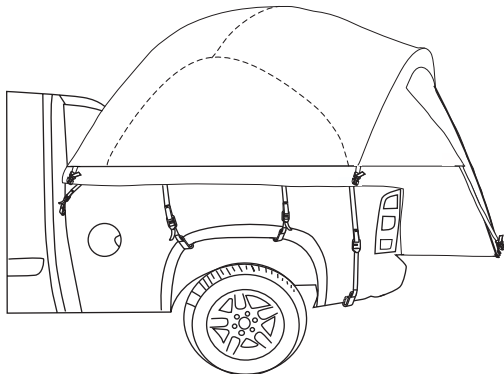
- 8) Once the tent is assembled, attach the pole clips to the tent poles.



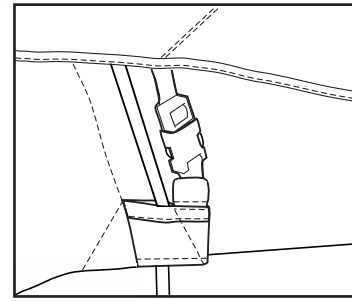
- 9) If the tent side straps are too loose, tighten the straps. Remember the straps should not be too tight.

SETTING UP THE RAINFLY

- 10) Locate the front of the rain fly that goes over the door. It will have a woven Backroadz logo tag. Place the rain fly over the tent. You may need assistance due to height.



- 11) Attach the rain fly to the tent by clipping the 6 straps (2 per side and 2 at tailgate). Tighten the straps if necessary.



TENT CARE TIPS

- 1) We highly recommend seam sealing your tent prior to camping as water may penetrate the needle holes in the fabric. This is common with tents and is not a defect.
- 2) Condensation will form on the inside surface of your tent. It is caused by water vapor from your breath, perspiration or any wet items inside the tent. Water on the inside of the tent is NOT leakage through the tent fabric. To reduce leave door and windows partially open.
- 3) The water resistant coating may wear down over time. It is suggested to spray a water resistant coating onto the tent and rain fly ever few years.
- 4) Avoid spraying insect repellent, hair spray, etc., inside or near your tent, as they may be harmful to the tent fabric and cause leakage.
- 5) Do not leave your tent set up in direct sunlight longer than necessary. If left in sunlight for prolonged periods of time, fabric will fade and weaken.
- 6) If zippers stick, lubricate with silicon. Never force a zipper as this will bend and prevent the zipper from closing. Continual use in a sandy environment can cause a slider to erode and fail to close.
- 7) NEVER roll up or pack away a wet/damp tent. This will cause mildew. Make sure your tent is completely dry before storing. Store your tent in a dry place.
- 8) To clean, hand wash with a sponge using mild soap. Never use a washing machine or detergent.

WARRANTY INFORMATION

Napier Tents have a one (1) year warranty period from the time of purchase against defects in improper workmanship. Normal wear and tear, seam leakage through needle holes and improper use, abuse or alteration are not covered under the warranty policy. Napier will replace or repair defective parts. Replacement parts may be new or re-built at Napier Outdoors sole discretion.

In order for the warranty to be valid, you must provide a proof of purchase (receipt) to prove the date of purchase. If you do not provide the proof of purchase or are after the warranty period, replacement parts can be purchased.