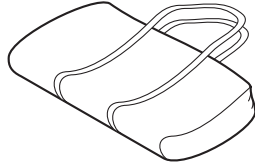




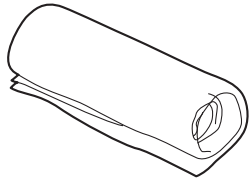
## Model #13100

### PACKAGE COMPONENTS

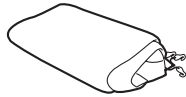
Tent Bag



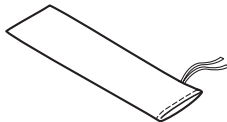
Tent



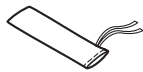
Rain fly



Pole Bag



Stake Bag



Stakes (13)



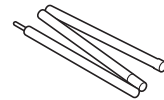
Guide Ropes (4)



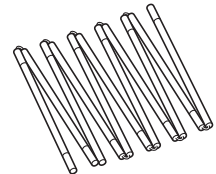
Tent Tie Straps (2)



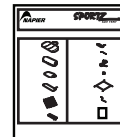
Rain fly Pole (1)



Tent Poles (2)



Instructions



If you are missing parts, do not return to the store.

### **WARNING**

- Keep all flame and heat sources away from the tent fabric. The tent is made with flame-resistant fabric which meets CPAI-84 specifications. It is not fireproof. The fabric will burn if left in continuous contact with any flame source. The application of any foreign substance to the tent fabric may render the flame-resistant properties ineffective.
- To prevent carbon monoxide from entering the vehicle and tent area, do not run the engine, do not cook inside the tent, and do not use a gas heater in the tent. Carbon monoxide is dangerous to your health.
- **Engine must be off and exhaust must be fully cooled before tent installation and use.**

## CAUTION

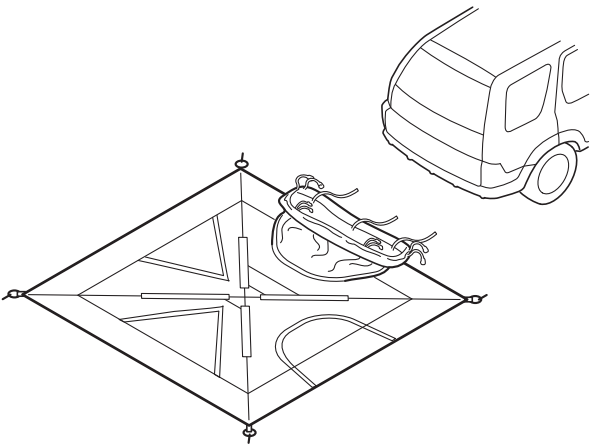
- Never smoke inside the tent. Never use candles, light matches or allow any type of open flame in or near the tent.
- Do not cook inside the tent.
- Do not store flammable liquids inside the tent.
- Allow adequate ventilation inside the tent at all times.
- Never refuel lanterns, heaters or stoves inside the tent.
- Leaving the tailgate open for an extended amount of time will drain the battery of your vehicle. To avoid this, ensure your interior lights are turned off
- NEVER run the engine when the tent is attached to the vehicle.

## SELECT CAMPSITE

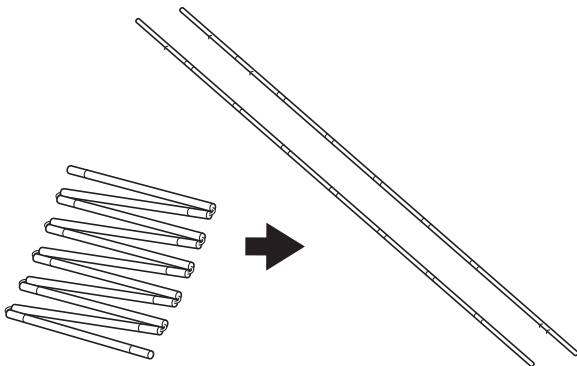
- Select a smooth level campsite clear of rock, branches and other hard or sharp objects.
- Park the vehicle into the chosen campsite with the vehicle in park and turned off. Apply the parking brake.

## SETTING UP THE TENT

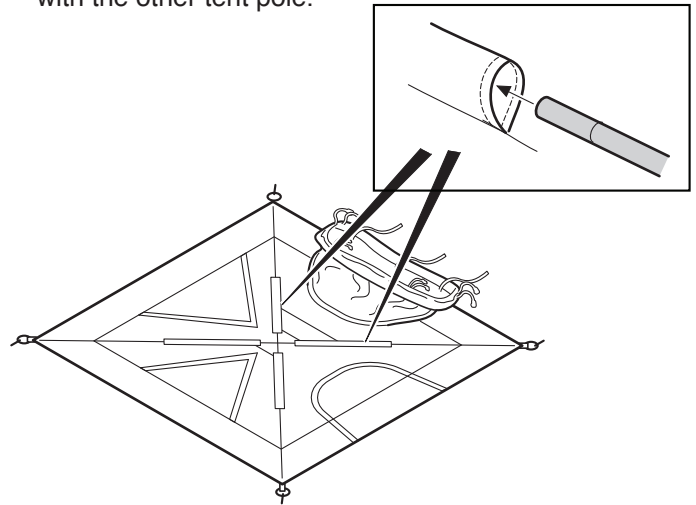
- 1) Remove the tent from the tent bag and lay it flat on the ground with the vehicle sleeve facing the cargo area of the vehicle. At this point, do not stake the tent to the ground.



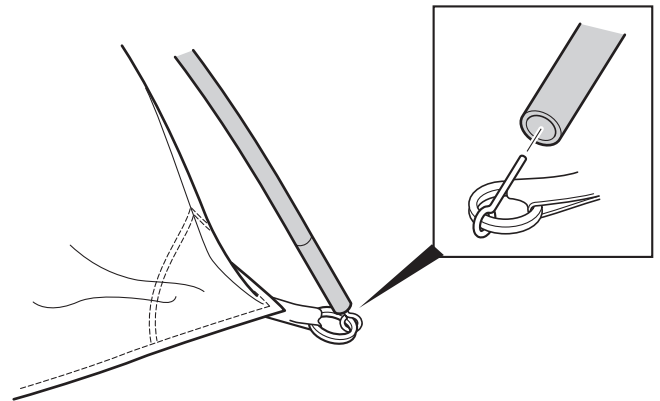
- 2) Assemble all poles by unfolding each section. You will have 2 long tent poles and one short rain fly pole.



- 3) Slide one tent pole diagonally, corner to corner going through the 2 pole sleeves in the roof of the tent. Repeat with the other tent pole.

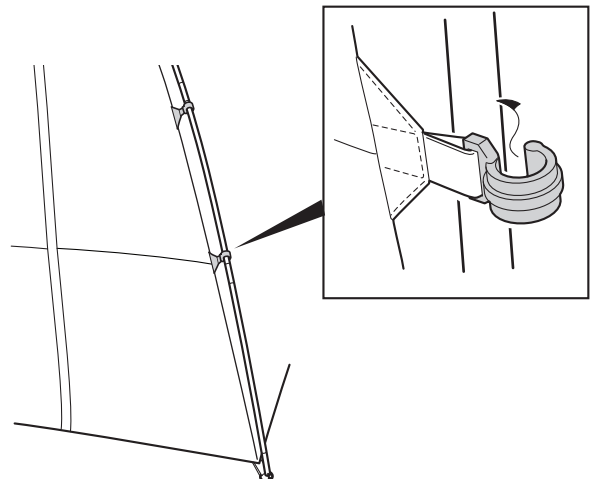


- 4) Take any pole end and insert the pin located on the corner of the tent into the pole end. On the opposite end of the pole, insert the pin into the end of the pole. Repeat these steps for the remaining pole.



NOTE: The poles may get stuck on the pole sleeves. Do not force the pole, simply go to the sleeve and lead the pole through it.

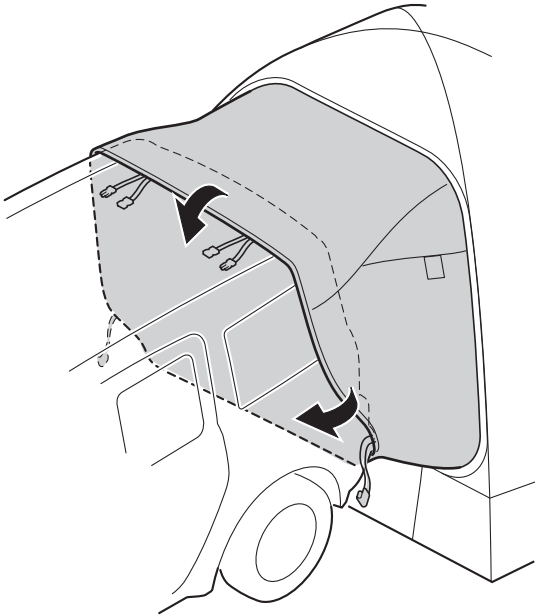
- 5) Once the tent is standing, attach the plastic clips to the tent poles.



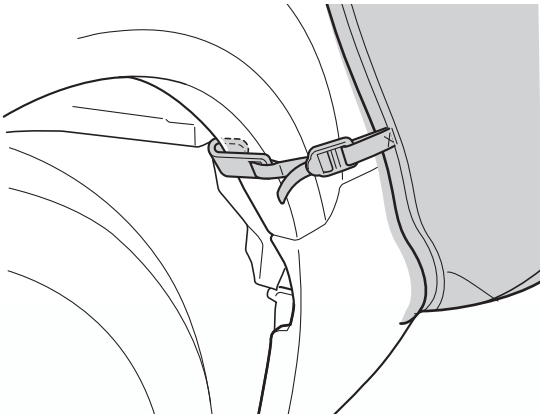
## ATTACHING TO YOUR VEHICLE

6) From inside the tent, unzip the door and mesh that faces the vehicle to access the cargo area. Roll up mesh and secure with the T-straps.

A) Move the tent towards the cargo area of the vehicle. Slip the sleeve under the bumper and over the roof.

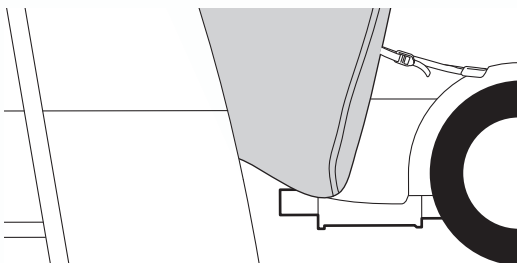


B) Hook the bottom outside strap to any part of the wheel well and tighten the strap. Repeat on opposite side.



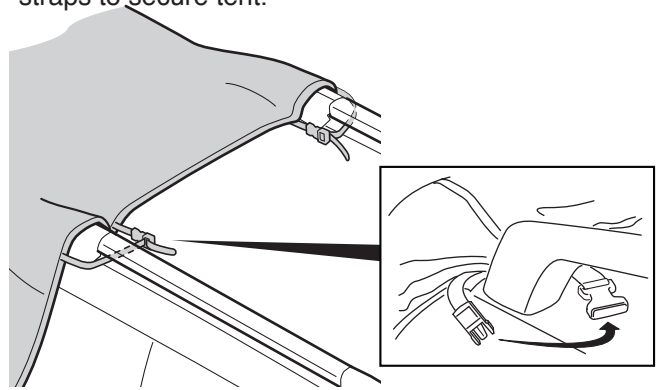
C) Ensure the exhaust pipe is outside the sleeve.

**WARNING:** Carbon Monoxide gas is dangerous and can cause unconsciousness or death. Never start or run the vehicle's engine when the tent is attached to the vehicle.

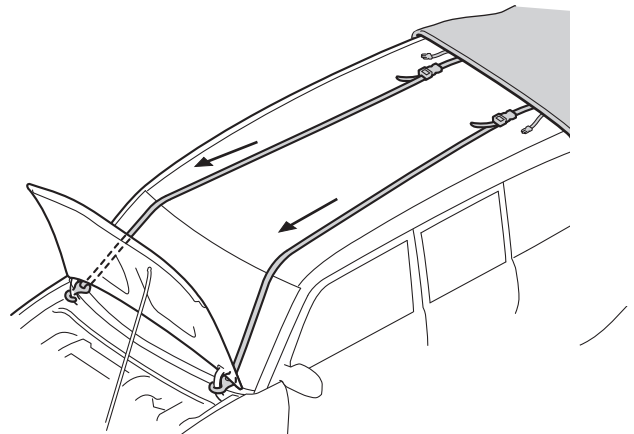


7) Attaching the vehicle roof straps.

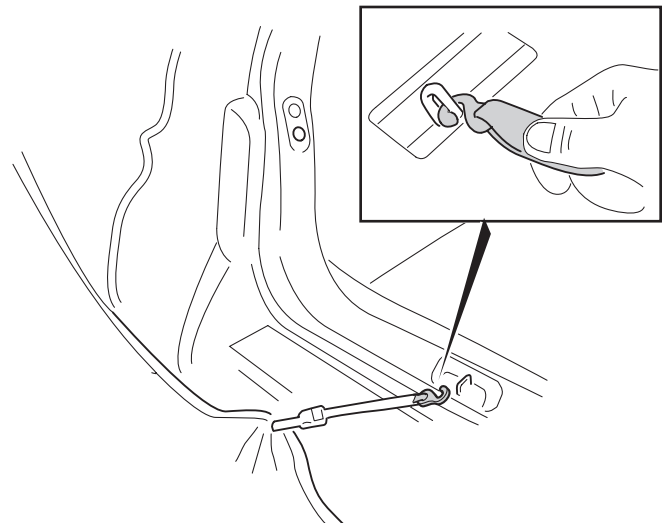
A) **WITH A ROOF RACK**, remove the long strap from the female clip. Attach the 2 short straps around the roof rack. Repeat on the opposite side and tighten straps to secure tent.



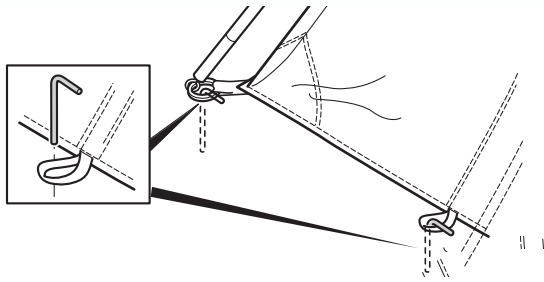
B) **WITHOUT A ROOF RACK**, extend the long straps to the front of the vehicle. Open the vehicle hood and attach the hooks to the hood hinge or frame. Tighten the straps to secure the tent.



8) From inside the tent, attach the center hook to the tailgate latch.



- 9) Stake the tent to the ground through the corner pins and side webbing loops.

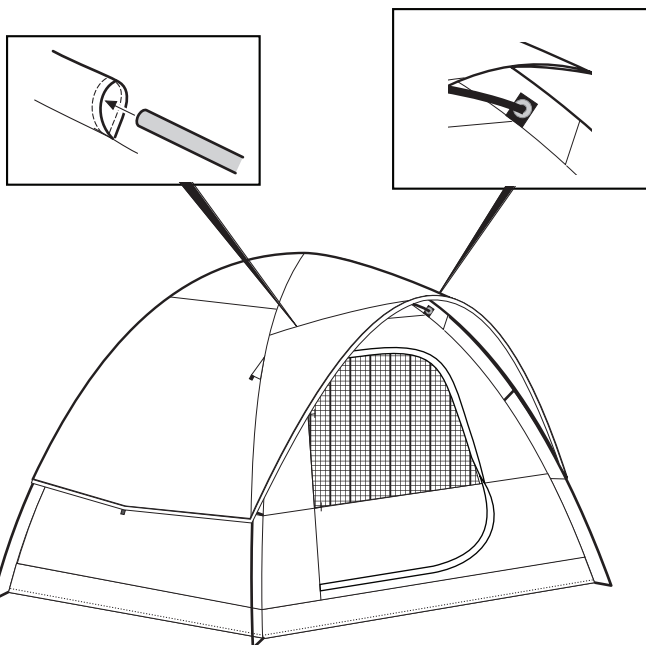


### Setting up the Rain fly and Awning

- 10) Drape the rain fly over the tent. The rain fly side that says "Vehicle Side" goes towards the vehicle. Hook the rain fly to the bottom rings on the tent. Hook the Velcro tab around the pole.



- 11) Slide the rain fly pole through the pole sleeve in the rainfly sleeve above the door. Place both ends into the grommet hole at each corner of the rain fly. Stake out the rain fly guide ropes to the ground.



### TENT CARE TIPS

- 1) We highly recommend seam sealing your tent prior to camping as water may penetrate the needle holes in the fabric. This is common with tents and is not a defect.
- 2) Condensation will form on the inside surface of your tent. It is caused by water vapor from your breath, perspiration or any wet items inside the tent. Water on the inside of the tent is NOT leakage through the tent fabric. To reduce leave door and windows partially open.
- 3) The water resistant coating may wear down over time. It is suggested to spray a water resistant coating onto the tent and rain fly ever few years.
- 4) Avoid spraying insect repellent, hair spray, etc., inside or near your tent, as they may be harmful to the tent fabric and cause leakage.
- 5) Do not leave your tent set up in direct sunlight longer than necessary. If left in sunlight for prolonged periods of time, fabric will fade and weaken.
- 6) If zippers stick, lubricate with silicon. Never force a zipper as this will bend and prevent the zipper from closing. Continual use in a sandy environment can cause a slider to erode and fail to close.
- 7) NEVER roll up or pack away a wet/damp tent. This will cause mildew. Make sure your tent is completely dry before storing. Store your tent in a dry place.
- 8) To clean, hand wash with a sponge using mild soap. Never use a washing machine or detergent.

### WARRANTY INFORMATION

Napier Tents have a one (1) year warranty period from the time of purchase against defects in improper workmanship. Normal wear and tear, seam leakage through needle holes and improper use, abuse or alteration are not covered under the warranty policy. Napier will replace or repair defective parts. Replacement parts may be new or re-built at Napier Outdoors sole discretion.

In order for the warranty to be valid, you must provide a proof of purchase (receipt) to prove the date of purchase. If you do not provide the proof of purchase or are after the warranty period, replacement parts can be purchased.