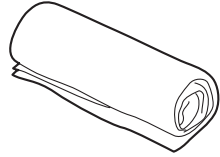
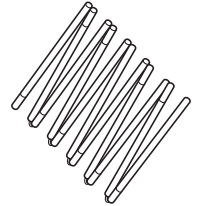


PACKAGE COMPONENTS

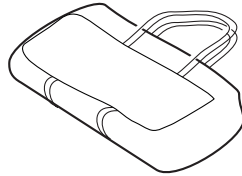
TENT



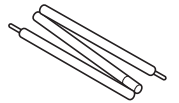
TENT POLES (2)



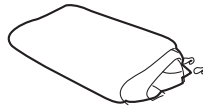
TENT BAG



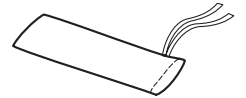
RAINFLY POLE (1)



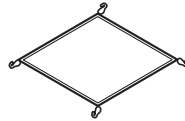
RAINFLY



POLE BAG



GEAR LOFT



TENT TIE STRAPS (2)



STAKES (8)



STAKE BAG



WARNING

- Keep all flame and heat sources away from the tent fabric. The tent is made with flame-resistant fabric which meets CPAI-84 specifications. This does not make it fireproof. The fabric will burn if left in contact with any flame source. The application of any foreign substance to the tent fabric may render the flame-resistant properties ineffective.
- To prevent carbon monoxide from entering the vehicle and tent area, do not run the engine, do not cook inside the tent, and do not use a gas heater in the tent. Carbon monoxide is dangerous to your health.
- Engine must be off and exhaust must be fully cooled before tent installation and use.

CAUTION

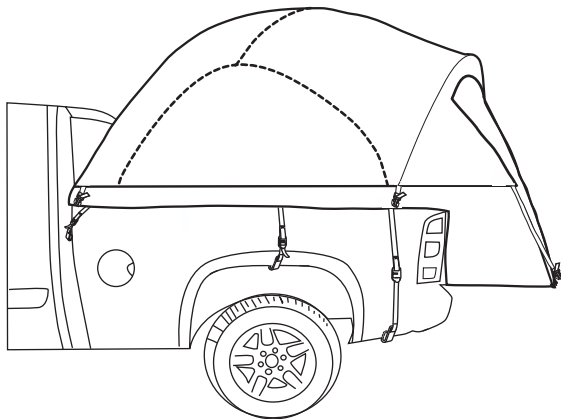
- Do not use candles, matches or open flames of any kind in or near the tent
- Do not cook inside the tent
- Build campfires downwind and several meters away from the tent. Be sure to fully extinguish fires before leaving a campsite or before retiring for the night
- Exercise extreme caution when using fuel-powered lanterns or heaters inside or around the tent. Use battery-operated lanterns whenever possible
- Do not refuel lamps, heaters or stoves inside the tent
- Extinguish or turn off all lanterns before going to sleep
- Do not smoke inside the tent
- Do not store flammable liquids inside a tent
- NEVER run the vehicle engine when the tent is attached
- Do not install the tent when the temperature is below 0°C/32°F or when your vehicle is wet, it may cause damage
- Allow adequate ventilation inside the tent at all times
- Do not attempt to drive the vehicle with the tent attached

CAMPSITE SELECTION

- Select a smooth level campsite clear of rocks, branches and other hard or sharp objects
- Park the vehicle in the chosen campsite. Turn off the engine and apply the parking brake

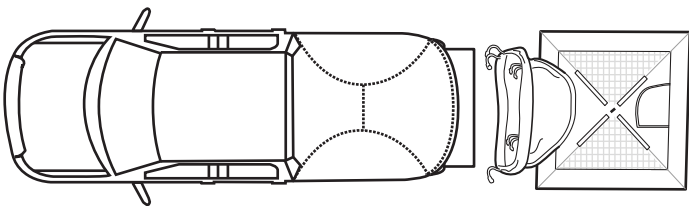
TRUCK TENT SETUP

1. Set up your Napier Truck Tent as indicated in the instructions provided with your Sportz or Backroadz Truck Tent.

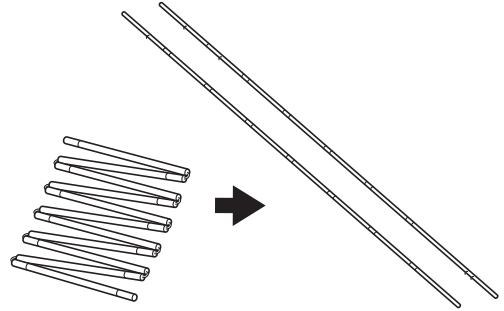


SPORTZ LINK TENT SETUP

2. Remove the tent from the tent bag and lay it flat on the ground with the vehicle sleeve facing the cargo area of the vehicle. At this point, do not stake the tent to the ground.

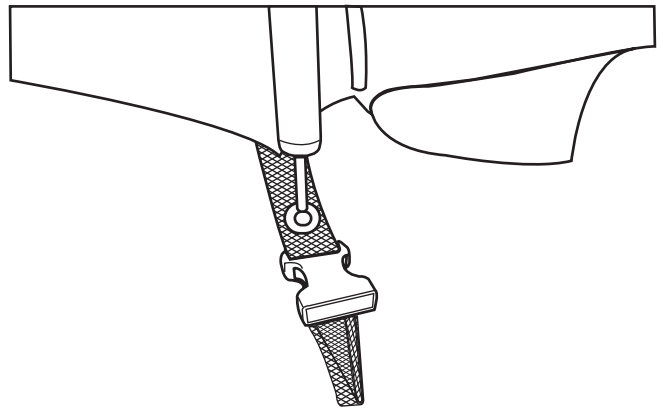


3. Assemble all poles by unfolding each section. You will have two (2) long tent poles (tent structure) and one (1) short pole (rainfly).

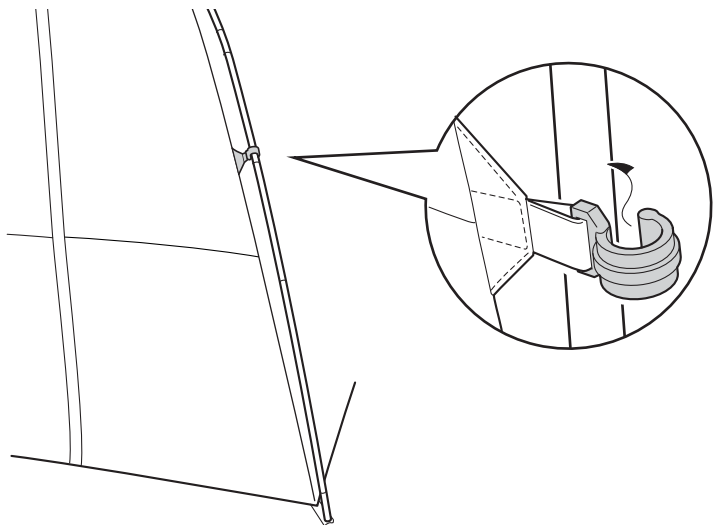


4. A. Insert one of the long poles diagonally, corner to corner through the pole sleeve in the roof of the tent. Repeat with the other pole
B. Place one pole end into the grommet hole located at the corner of the tent. Repeat on the other end of the pole, creating an arch. Repeat with the other pole

NOTE: The poles may get stuck in the pole sleeve. Do not force the pole - gently lead it through the fabric sleeve.



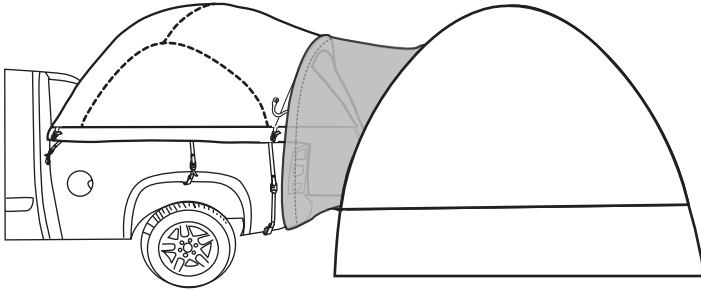
5. Once the tent is standing, attach the plastic clips to the tent poles.



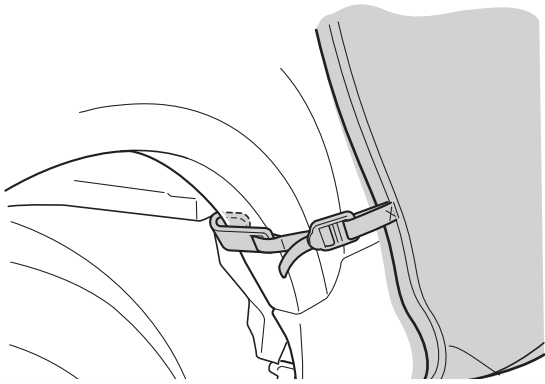
ATTACHING TO YOUR TRUCK TENT

6. From inside the ground tent, unzip the door and mesh that faces the truck tent opening. Roll up the mesh and door and secure with the T-straps.

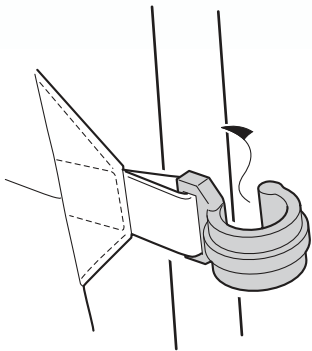
A. Move the tent towards the truck tent. Slip the sleeve under the bumper and over the truck tent's entrance. Ensure the sleeve is over the vestibule pole



B. Attach the bottom outside J-Hook strap to any part of the wheel well and tighten the strap. Repeat on the opposite side



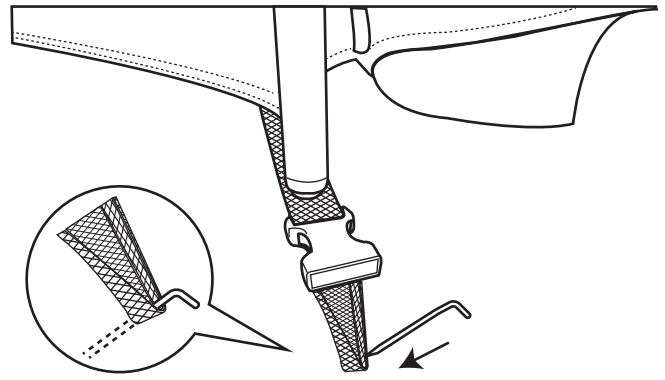
C. Hook the top outside straps with the pole clip to the corner-to-corner pole on the truck tent. Repeat on the opposite side



D. Ensure the exhaust pipe is outside the sleeve

WARNING: Carbon Monoxide gas is dangerous and can cause unconsciousness or death. Never start or run the vehicle's engine when the tent is attached to the vehicle.

7. Stake the tent to the ground through the corner webbing loops and the webbing loops by the main entrance door.

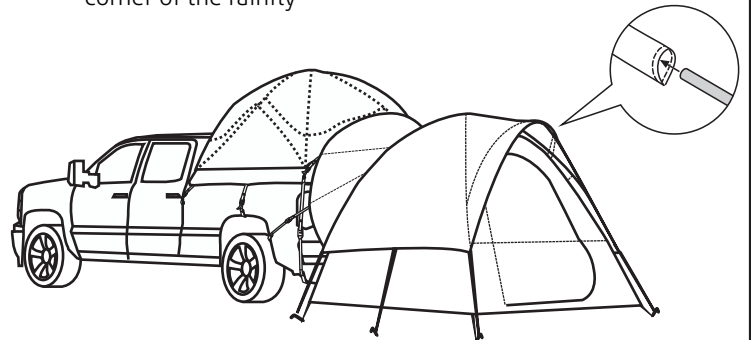


SETTING UP THE RAINFLY & AWNING

8. Drape the rainfly over the tent. Locate the rainfly side that says "Truck Tent Side" and place towards the truck. Hook the rainfly to the bottom female clips and tighten the straps. Secure the velcro tabs located on the inside of the rainfly to the poles.



9. A. Slide the pole through the sleeve located above the rainfly door area. Place both ends into the grommet hole at each corner of the rainfly



B. Stake out the rainfly bungee cords, at the side of the tent, to the ground

SETTING UP THE GEAR LOFT

10. To install the gear loft, place each corner hook of the gear loft into the loop located on the ceiling of the tent.

