



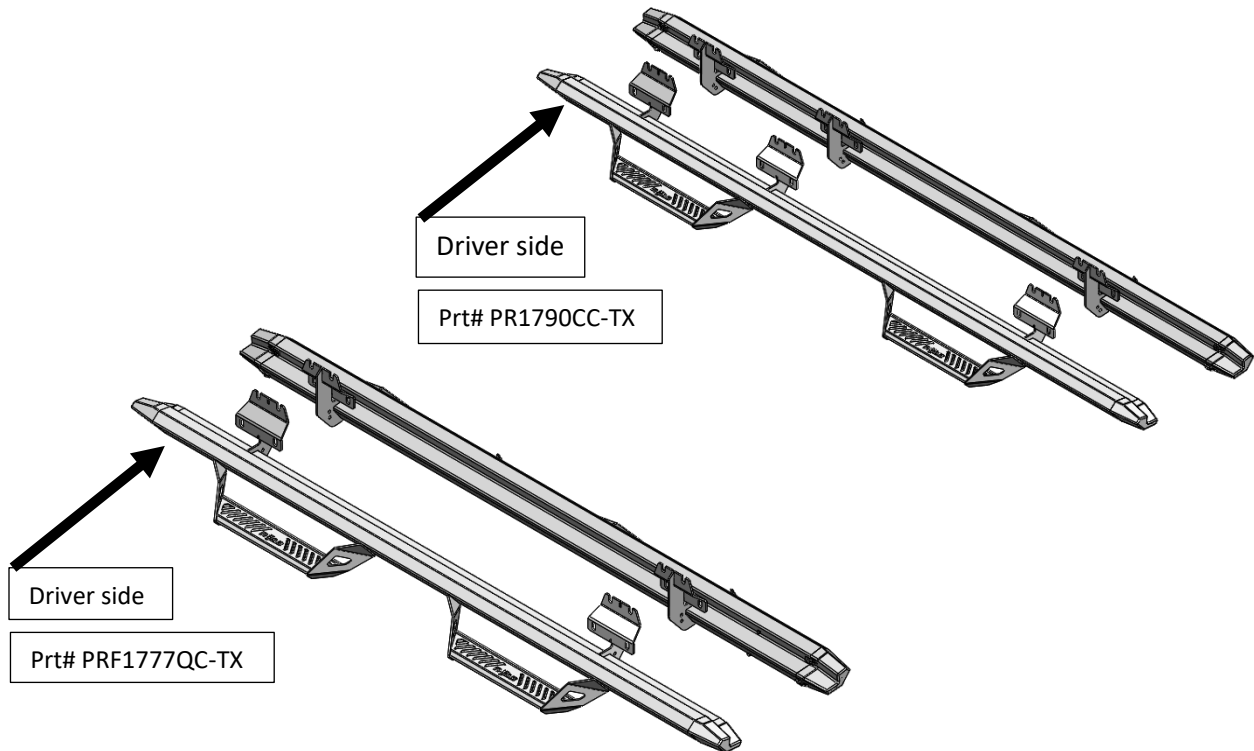
PART NUMBER: PRF1790CC-TX, F1777QC-TX
PRODUCT: Aluminum Hoop Step
APPLICATION: 17-18 F250/350
CREW CAB/SUPER CAB

PREDATOR PRO



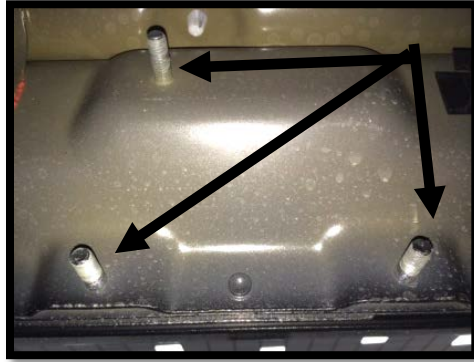
HARDWARE DESCRIPTION	QTY.
# F15-CC-QC KIT	1
M8 – 1.25 HX FLANGED NUT	18

Step 1. Identify the Driver and Passenger side Step Rail.



Step 2: Starting with the Driver Side. Remove all 8mm flange nuts from the 8mm factory threaded studs to remove the OE running boards. Repeat for passenger side. **(Fig.A)**.

Fig. A



Step 3: Starting with the Driver side, carefully raise Nerf-Step up into position and align the three brackets with the nine 8mm OE threaded studs.

Step 4: Using the supplied 8mm flanged nuts, fasten all nine mounting positions. Leave loose at this time. **(Fig.B)**

Fig. B



Step 5: Starting with the rear bracket, push up towards the pinch weld so the 3" main bar is as high and tight to the body as possible. Tighten all three 8mm flanged nuts.

Step 6: Move to the front bracket and repeat same step. Finish by securing the center bracket.

Step 7: Repeat steps 3-6 for passenger side. Your install is now complete.