



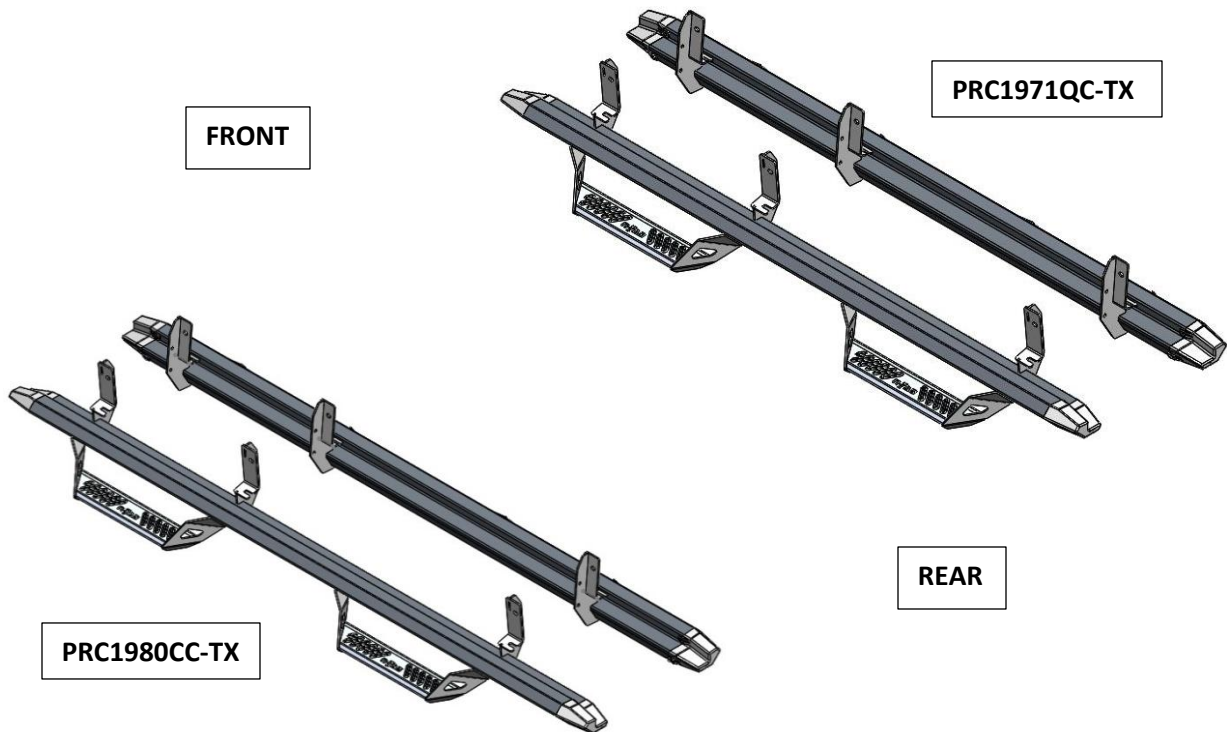
I-SHEET# INST-00021
 PART NUMBER: **PRC1980CC-TX**
PRC1971QC-TX
 PRODUCT: **ALUMINUM HOOP STEP**
 APPLICATION: **19-20 CHEVY/GM CC/QC**
1500/2500/3500/GAS/DIESEL

PREDATOR PRO



HARDWARE DESCRIPTION	QTY.
HWKT-03054X	1
M8X30mm Hex Cap with washer	12

Step 1: Identify Driver and Passenger side Nerf-step.



Step 2 Using the supplied (x3) M8x30mm Hex bolts, start all three of the lower threaded mounts first with just a couple of turns.

Step 3 Next, Carefully raise the Step up into position sliding the lower portion of the bracket on to all three bolts and loosely fasten.

Step 4 Next, start all remainder hardware in the upper locations and leave loose.

Step 5 After final adjustment, tighten the lower mounts first then the upper mounts.

Step 6: Repeat steps 2-5 for the passenger side.

