



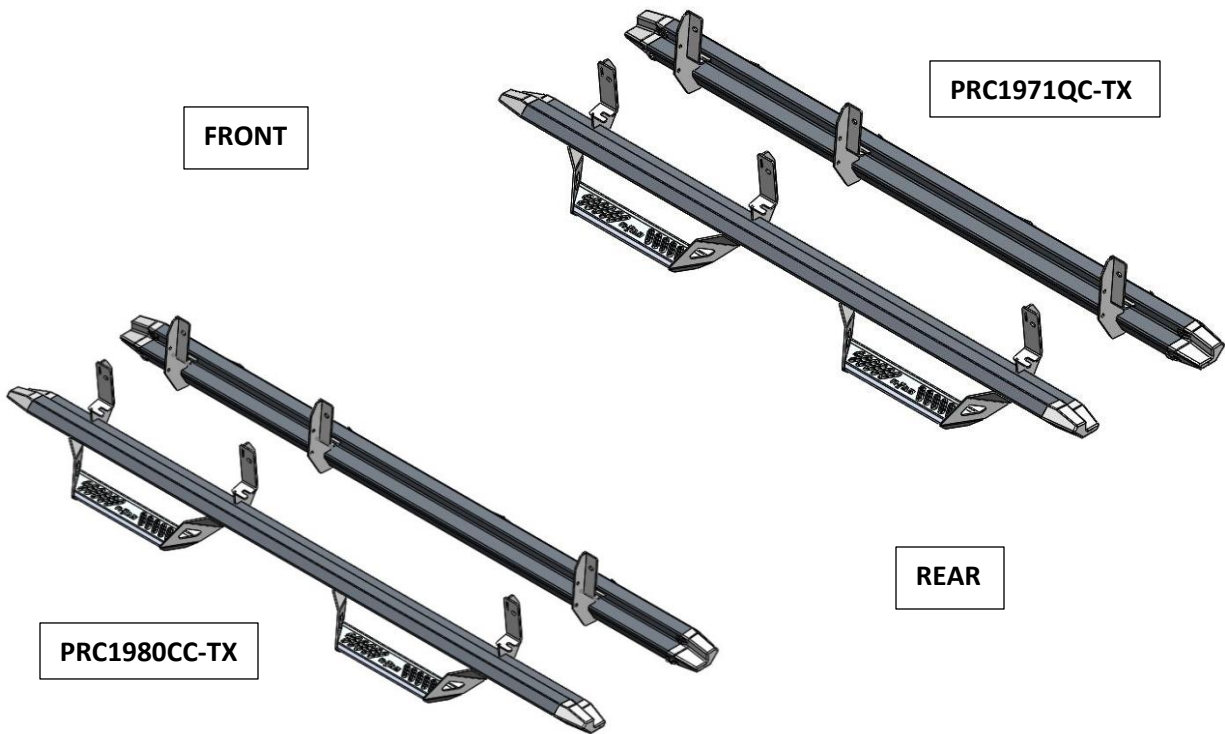
I-SHEET# INST-00021  
 PART NUMBER: **PRC1980CC-TX**  
**PRC1971QC-TX**  
 PRODUCT: **ALUMINUM HOOP STEP**  
 APPLICATION: **19-20 CHEVY/GM CC/QC**  
**1500/2500/3500/GAS/DIESEL**

# PREDATOR PRO



HARDWARE DESCRIPTION	QTY.
<b>HWKT-03054X</b>	1
M8X30mm Hex Cap with washer	12

**Step 1:** Identify Driver and Passenger side Nerf-step.



**Step 2** Using the supplied (x3) M8x30mm Hex bolts, start all three of the lower threaded mounts first with just a couple of turns.

**Step 3** Next, Carefully raise the Step up into position sliding the lower portion of the bracket on to all three bolts and loosely fasten.

**Step 4** Next, start all remainder hardware in the upper locations and leave loose.

**Step 5** After final adjustment, tighten the lower mounts first then the upper mounts.

**Step 6:** Repeat steps 2-5 for the passenger side.

