



I-SHEET PART NUMBER: INST-00236
 PART NUMBER: **NBC19CC-TX**
 PRODUCT: **RUNNING BOARD**
 APPLICATION: **19-21 CHEVY/GM 1500 CC**

HWKT-09617X		1
BHCS-09591X	M6X16MM BUTTON HEAD CAP SCREW	24
FW-09601	M6 FLAT WASHER	24
BHCS-09603	M6 flanged nut	24
CARB-09609	3/8"-16X1" Gr 5 Steel Carriage Bolt 1000B BLACK ZINC	12
FLNT-00664	3/8-16 GRADE 8 STEEL FLANGE NUT, ZINKLAD 1000B	12

HWKT-03054X		QTY.
FLBW-00894X	M8-1.25 X 30MM CLASS 8.8 FLANGE CAP SCREW W/WASHER	12

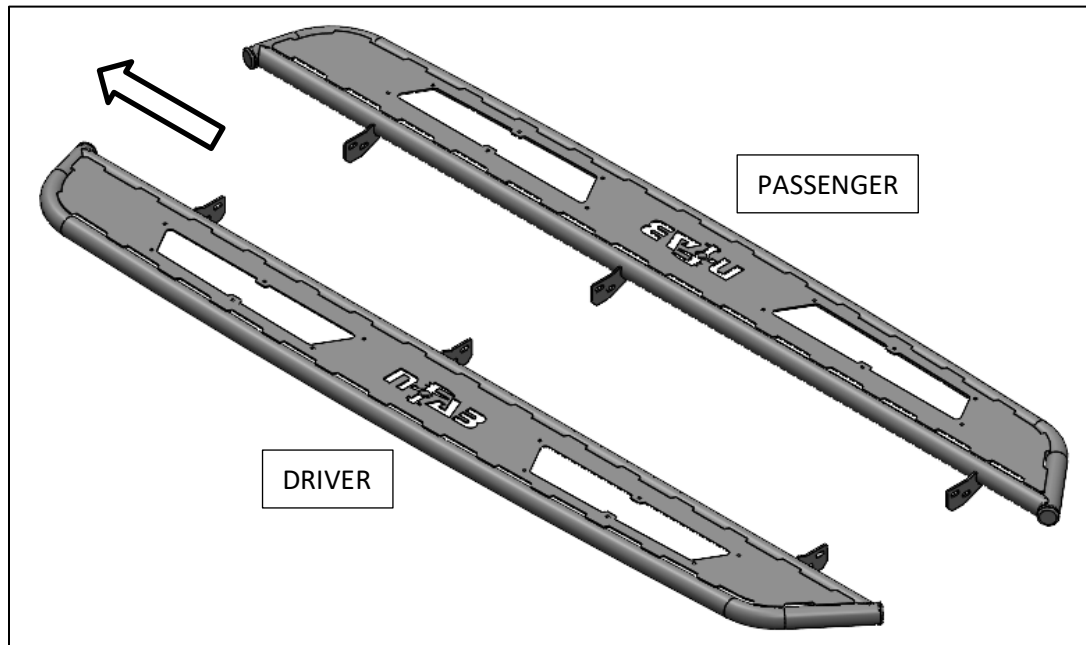
PARTS INCLUDED	QTY
Driver Side Running Board	1
Passenger Side Running Board	1
Rocker panel brackets	6
Step Plate	4

RAVEGR

RUNNING BOARD

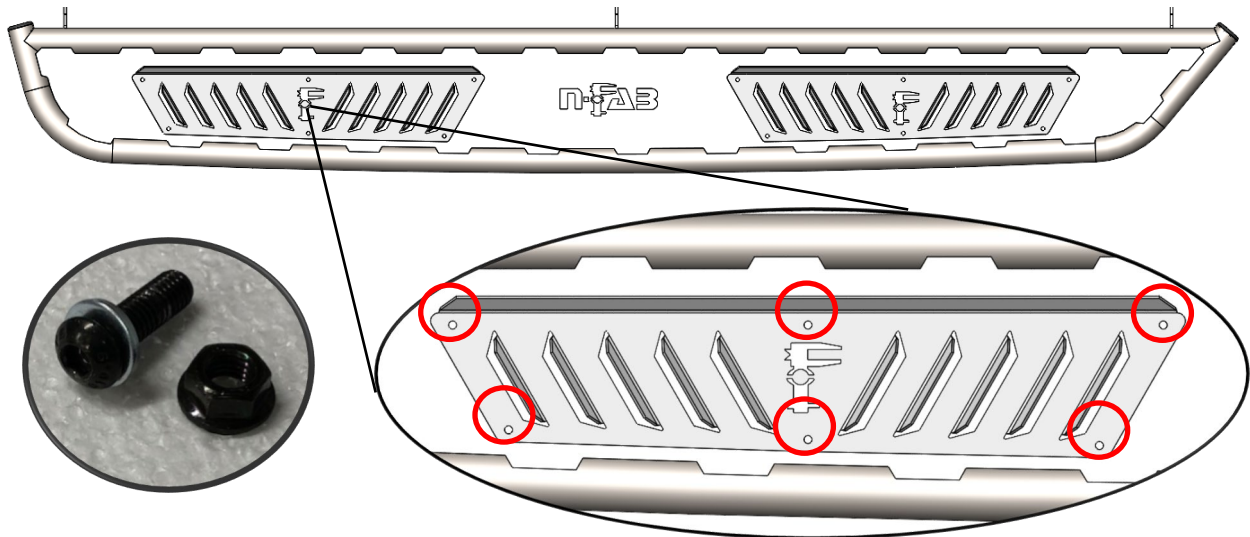


Step 1: Identify Driver Side Nerf board.



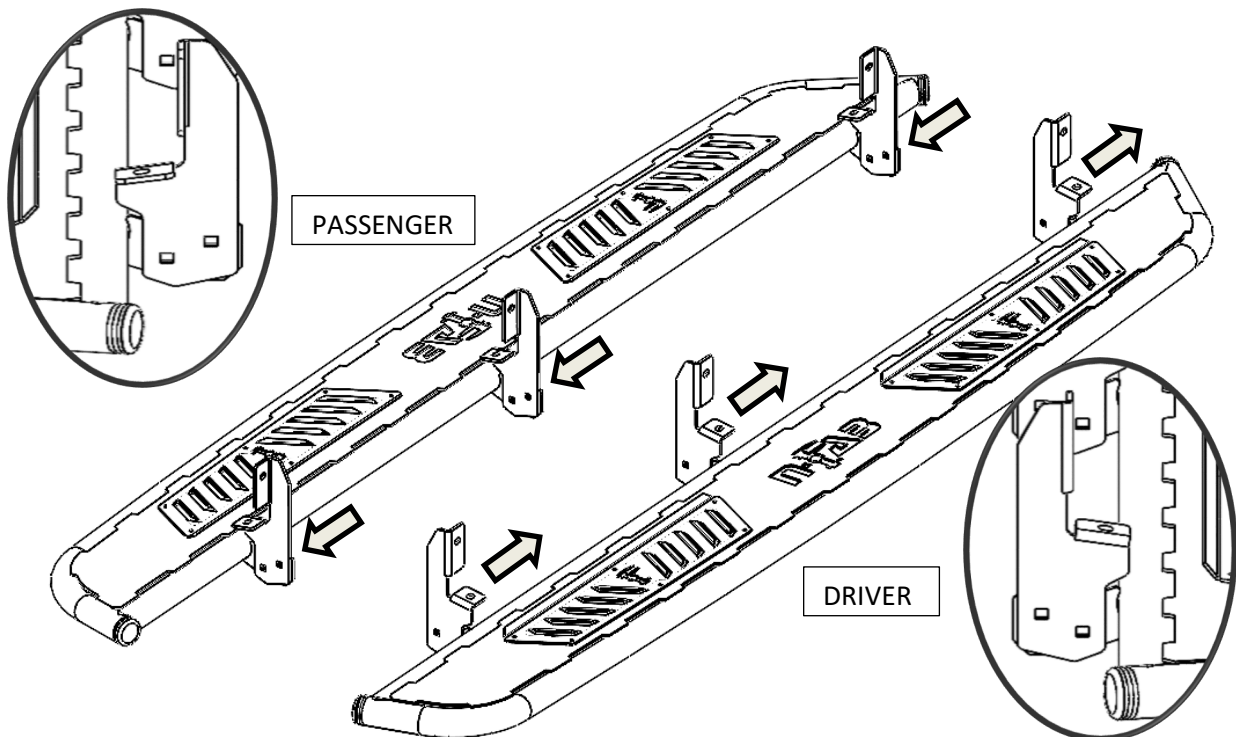
Step 2: Install the supplied step plate (x2) to each Running Board using the M6x20mm button head bolts, M6 nuts and M6 flat washer.

**** DO NOT OVER TIGHTEN ****



Step 3: Install the supplied rocker panel brackets (x6) to the attachments points located on the backside of the main tube (Driver/Passg) using the supplied 3/8" x 1" carriage bolts and 3/8" flanged nuts. Leave finger tight for now.

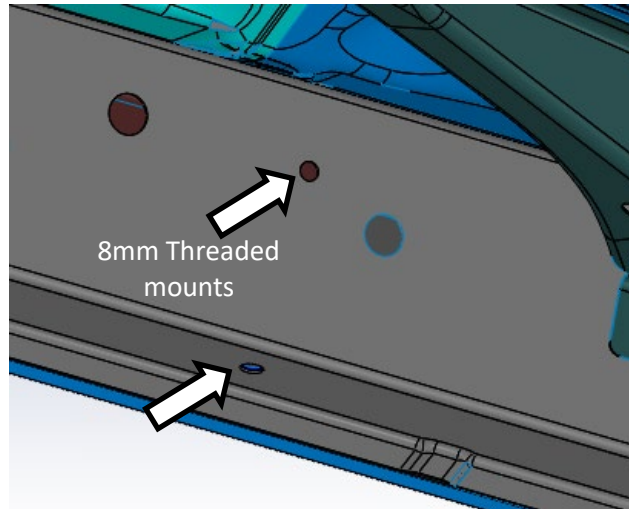
NOTE: BE SURE THE BEND DIRECTION OF EACH BRACKET IS CORRECT ON THE DRIVER AND PASSENGER Nerf Board.





I-SHEET PART NUMBER: INST-00236
PART NUMBER: **NBC19CC-TX**
PRODUCT: **RUNNING BOARD**
APPLICATION: **19-21 CHEVY/GM 1500 CC**

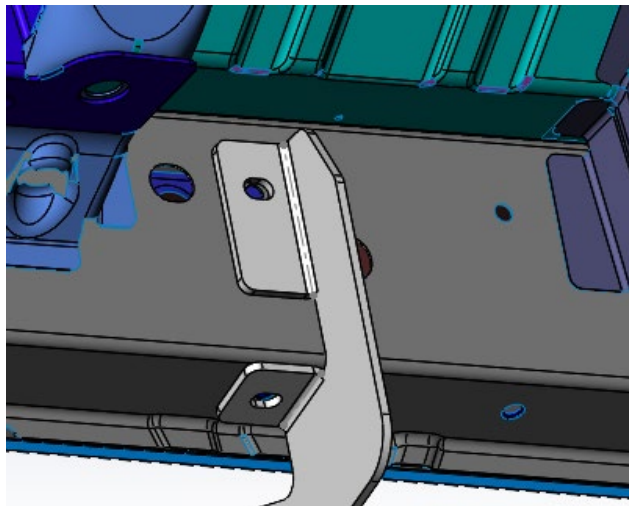
Step 4: Remove factory-running bards (Both sides) if equipped and discard. You will see the 8mm threaded mounts in the body.



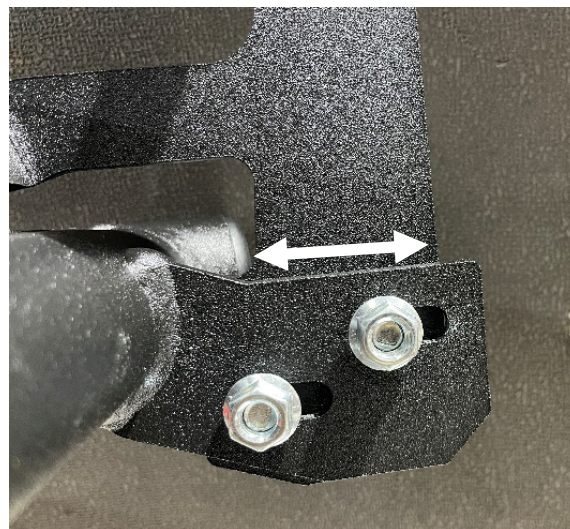
Step 5: Carefully raise the Nerf Board assembly up into position aligning the mounting brackets with the factory-threaded holes. Beginning with the center bracket start one of the supplied M8x30mm Hex bolts in the upper mount and finger tighten. This will allow the step to suspend while you start the remainder of the hardware.

Step 6: Next, start all remainder hardware in the factory locations and leave loose.

Step 7: After final adjustment, tighten all the lower mounts first then the upper mounts.



Step 8: There will be ½” of adjustment in the (x3) mounting bracket. Adjust to desired position and tighten to (20 ft./lbs).



Step 9: Repeat steps 5-8 for the passenger side.