



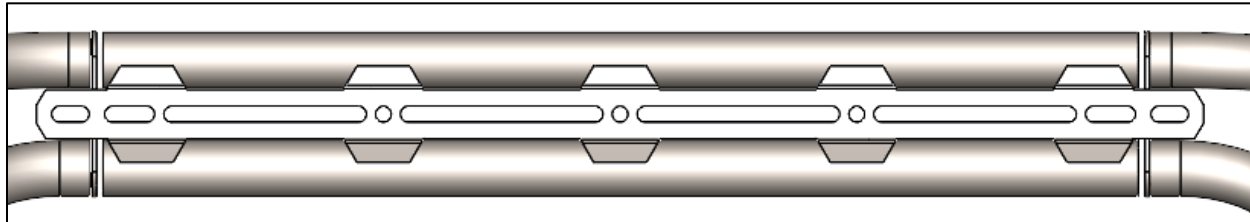
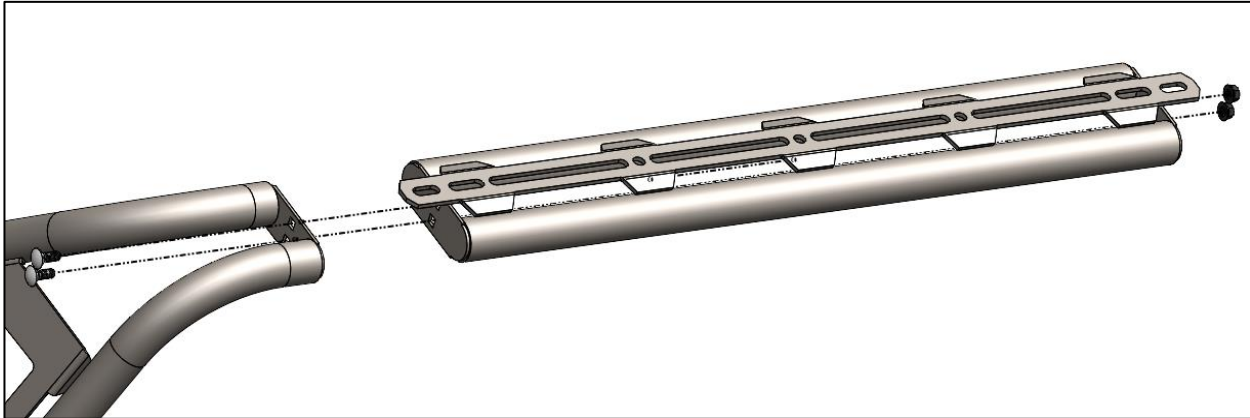
I-SHEET PART NUMBER: INST-00275  
 PART NUMBER: J19BR-RLT  
 PRODUCT: SPORT BAR  
 APPLICATION: 19-21 JEEP GLADIATOR

HARDWARE HWKT- 11808X		
CARB-09609	3/8"X1" CARRIAGE BOLT	4
FLNT-00664	3/8" FLANGED NUT	4
BHCS-11852	M8X12MM BUTTON HEAD	6
FW-11854	M8 FLAT WASHER	6
CHNT-11810	M8 THREADED CHANNEL NUT	6



PARTS INCLUDED	QTY
CENTER LIGHT MOUNT ASSEMBLY	1
DRIVER SIDE ASSEMBLY	1
PASSENGER SIDE ASSEMBLY	1

**Step 1:** Attach the Center section to the driver and passenger side assemblies using the supplied 3/8" x 1" carriage bolt (x4) and 3/8" flanged nut (x4) and leave finger tight for now. **\*NOTE: Begin with the upper bolt and nut first to have easier access to the lower fasteners.\***



**Step 2:** With additional help, carefully place Sport Bar onto bed rails aligning edge with the plastic cap on both sides with the “ROLL-N-LOCK” logo centered in the cut out.



**Step 3:** Slide (x6) threaded channel nuts through rear opening of the T-slotted bed rail and align with the mounting holes in the Sport Bar.

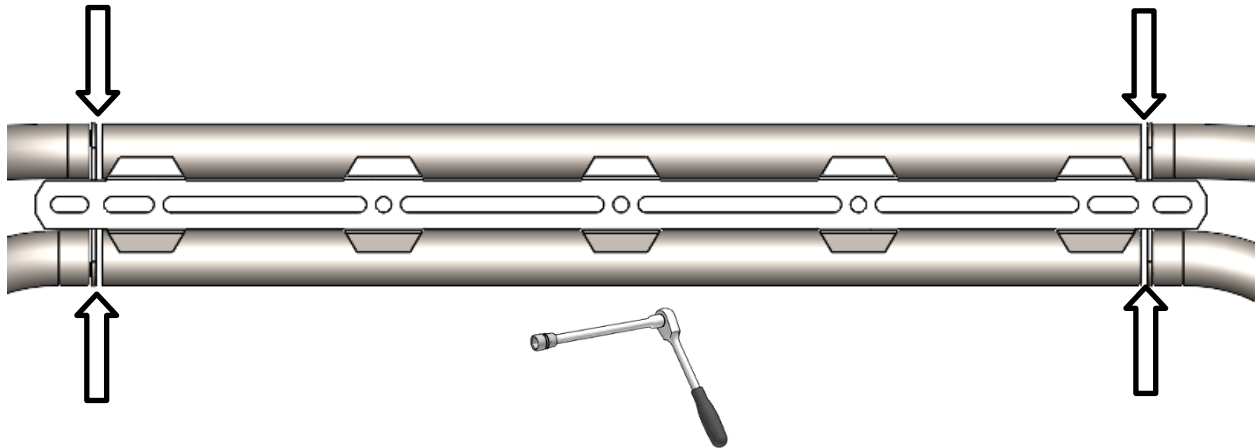
**Step 4:** Fasten using the supplied M8 x12mm button head bolts and washers. (7-10 ft/lbs torque)





I-SHEET PART NUMBER: INST-00275  
PART NUMBER: J19BR-RLT  
PRODUCT: SPORT BAR  
APPLICATION: 19-21 JEEP GLADIATOR

**Step 5:** Fully tighten (x4) carriage bolts in the center section.



**\*\* Periodical check all fasteners for tightness. \*\***