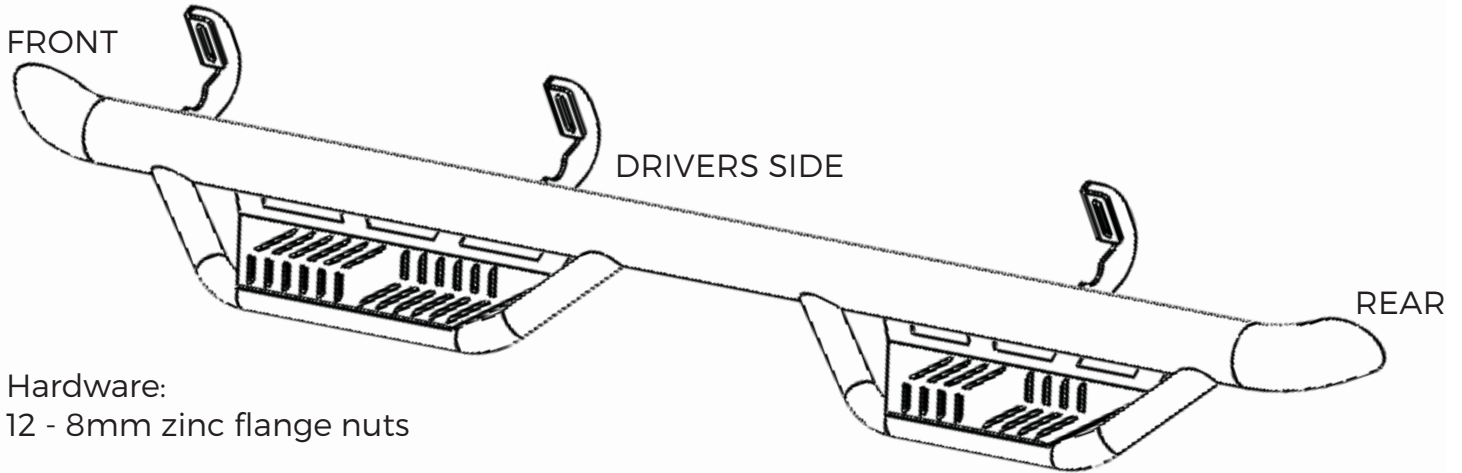




# Installation Instructions: N-Fab Podium Nerf-Steps

HPN0570CC-TX HPN0570CC-SS

NISSAN  
2005-2017  
FRONTIER CREW CAB



Hardware:  
12 - 8mm zinc flange nuts

**STEP 1:**

Identify the driver and passenger bars. The center bracket is closer to the front of the truck.



**STEP 2:**

Each mounting bracket consist of holes that mount to the OE studs.



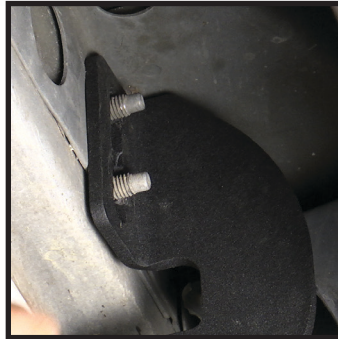
**STEP 3:**

Remove OE boards if equipped then locate mounting studs. Clean any dirt and debris from mounting studs and surface.



**STEP 4:**

Carefully place step onto Place. Secure mounting holes over OE studs. Best to have a assistant to lift and hold board in place. Now hand tighten nuts to OE studs.



**STEP 5:**

Begin tightening bolts in a alternating pattern. **Avoid using power or air tools.** Over tightening could stripe or break the OE threaded inserts.



**STEP 6:**

Tighten to 20ft lbs torque to secure the board to the truck. Repeat the same procedure to the other side.

