



I-SHEET NUMBER: INST-00088  
 PART NUMBER: **F1981CC, F1981CC-TX**  
 PRODUCT: **HOOP STEP**  
 APPLICATION: **2019 + FORD RANGER**  
**CREW CAB**

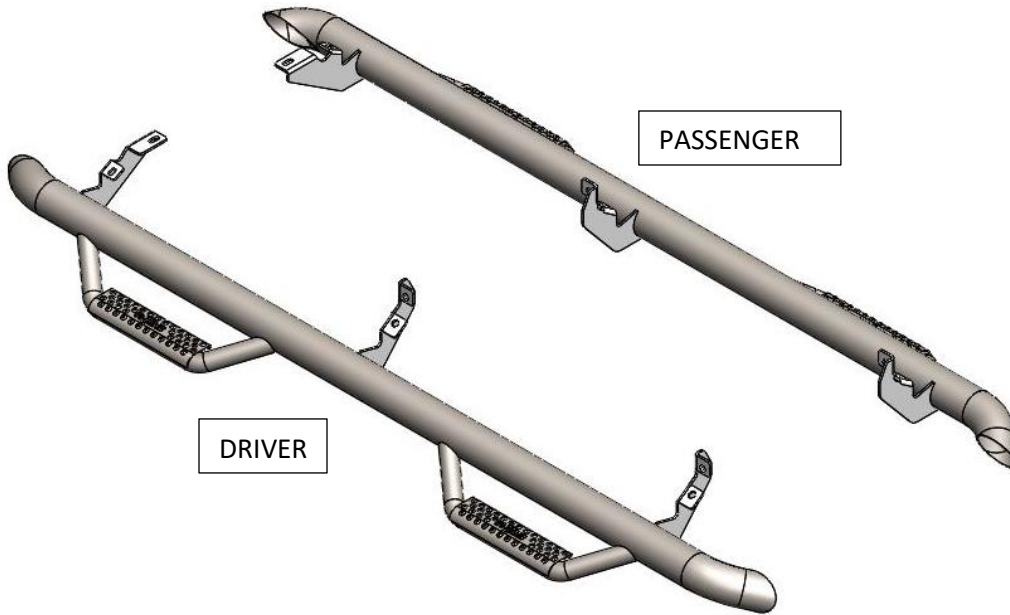
HARDWARE DESCRIPTION		QTY.
<b>HWKT-04239X</b>		
FHLB 04240X	M10x25mm HEX FLANGED BOLT	12



PARTS INCLUDED	QTY
DRIVER SIDE	1
PASSENGER SIDE	1

## N-FAB NERF STEP SYSTEM

**STEP 1:** Identify driver side step.



**STEP 2:** Remove any factory running boards or hardware and discard.

**STEP 3:** Clean/tap the three factory threaded mounting locations.



**STEP 4:** Carefully place step into place and loosely fasten using the supplied M10X25mm hardware.



**Step 5:** Next, tighten the three lower bolts first following with the three upper bolts.

**Step 6:** Repeat steps 2-5 with passenger side.

**Step 7:** Your install is now complete.