



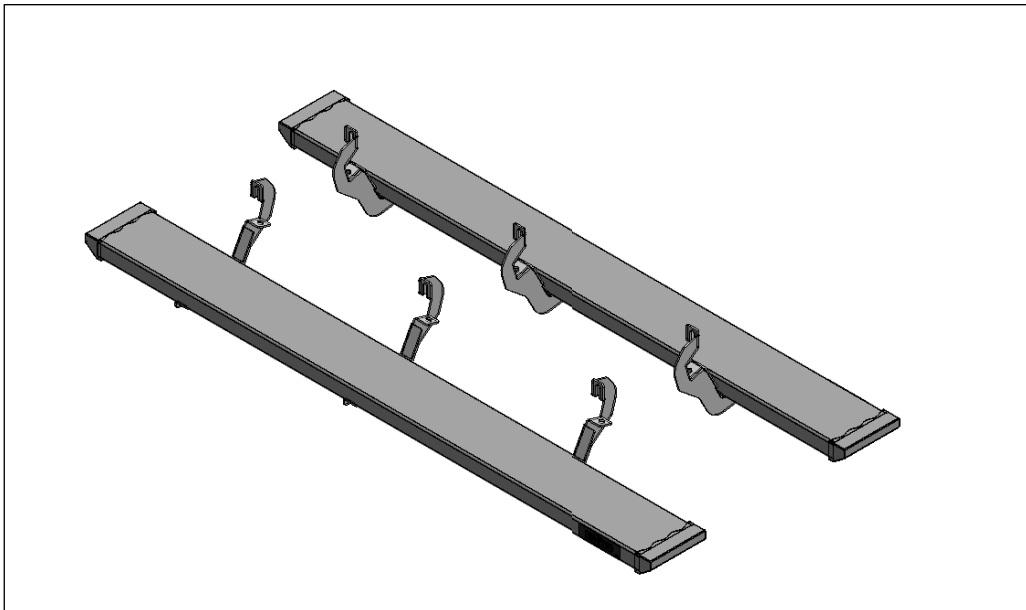
I-SHEET NUMBER: INST-00003  
 PART NUMBER: C07-QCTX, C14-QCTX  
 PRODUCT: **Growler Running Board**  
 APPLICATION: **2007-2018 CHEVY**  
**1500/2500/3500**

ARDWARE DESCRIPTION		QTY.
<b>HWKT-00015X</b>		
CLIP-00643	M8-1.25 X 20MM BARREL U-NUT CLIP	6
HHCS-00647	M8-1.25 X 25MM CLASS 8.8 HEX CAP SCREW	12
FLHB-00688	3/8"-16 X 1" GRADE 5 HEX SERRATED FLANGE BOLT	12
HXNT-00708	M8-1.25 CLASS 8 FINISHED HEX NUT	6
FDRW-00736	M8 FENDER WASHER	18



PARTS INCLUDED	QTY
Running Boards	2
Rocker Panel mounting Brackets	6
Threaded clamp plates	6

# **G**GROWLER



**Step 1:** Look on the underside of the body and locate the factory supplied mounting positions.

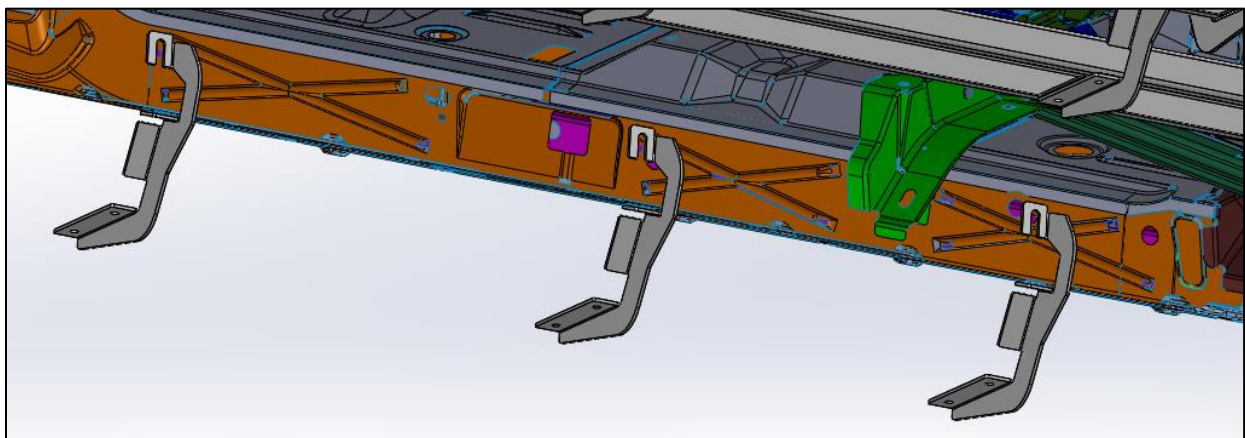
**NOTE:** Some vehicles require the use of speed clips and nuts, which are supplied with the hardware kit.

**Step 2:** If your vehicle requires the use of the speed clips, install at this time. This requires the removal of a plastic body plug. Using a flat head screwdriver remove the plug and install one of the supplied speed clips.



**Step 3:** Install the brackets to the mounting locations in the body of the vehicle and install hardware. Do not tighten all the way.

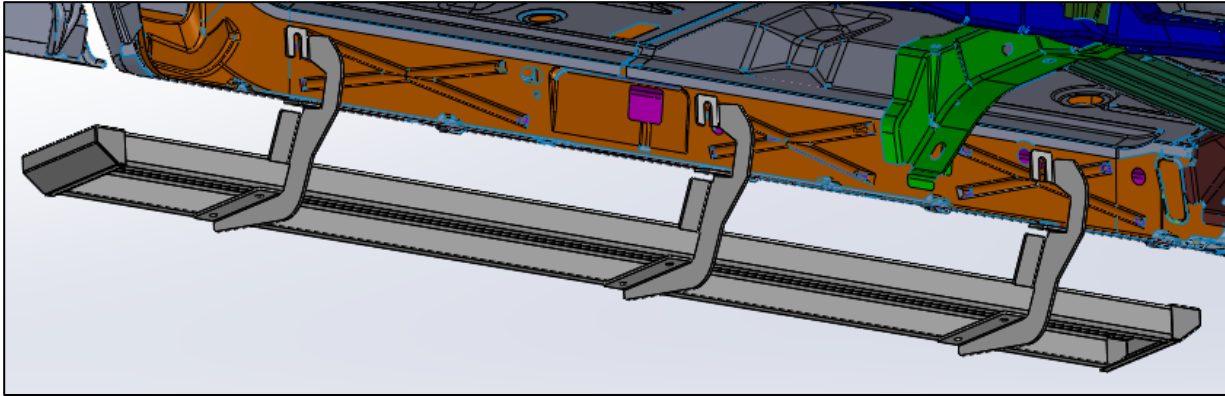
**NOTE:** Some vehicles may require the use of additional nuts and washers for the lower portion of the mounting bracket which are supplied in the hardware kit





I-SHEET NUMBER: INST-00003  
PART NUMBER: C07-QCTX, C14-QCTX  
PRODUCT: Growler Running Board  
APPLICATION: 2007-2018 CHEVY  
1500/2500/3500

**Step 4:** Set running board along the top of all three brackets and center along the cab.

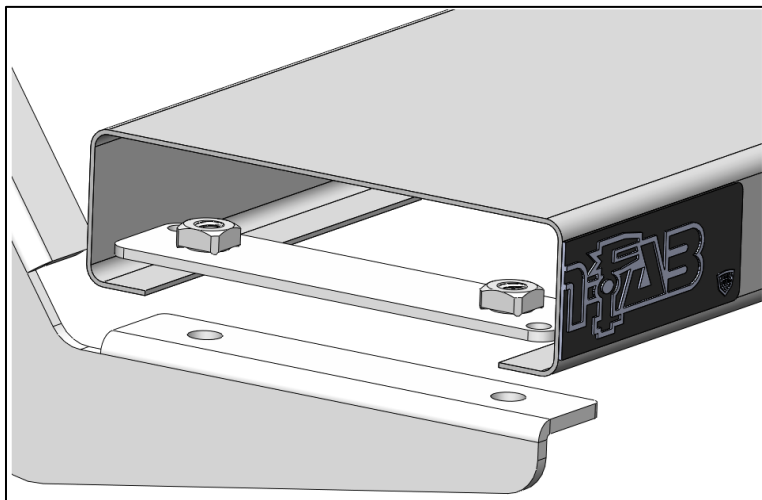


**Step 5:** Insert the supplied threaded brackets (x3) inside the running board lip over the top of each bracket.

**Step 6:** With the supplied 3/8" x 1" hex bolts, secure each mounting location and leave loose.

**Step 7:** After final adjustment, tighten all running board threaded mounts.

**Step 8:** Next, adjust frame brackets so the running board is level with body of the vehicle and tighten all factory-mounting locations.



**Step 9:** Re-repeat steps 2-8 for passenger side.