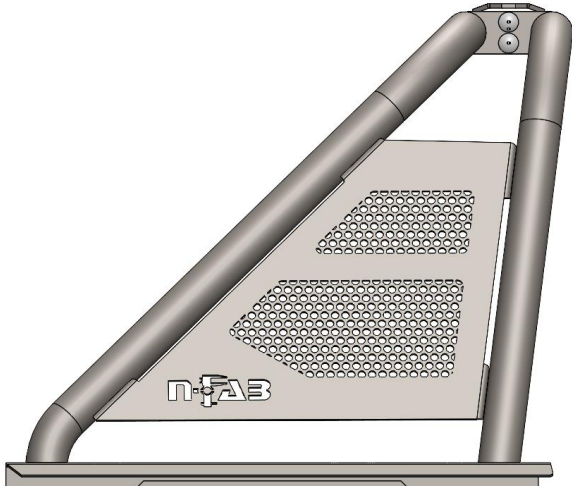




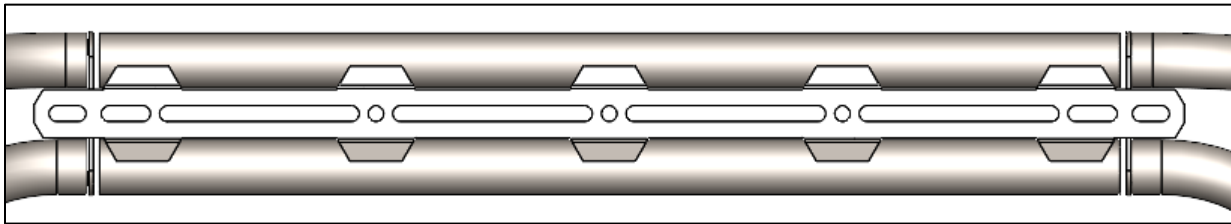
I-SHEET PART NUMBER: INST-00271
 PART NUMBER: **F19BR-TX**
 PRODUCT: **SPORT BAR**
 APPLICATION: **19-21 RANGER**

HARDWARE HWKT-11804X		
	3/8"X1" CARRIAGE BOLT	8
	3/8" FLANGED NUT	8

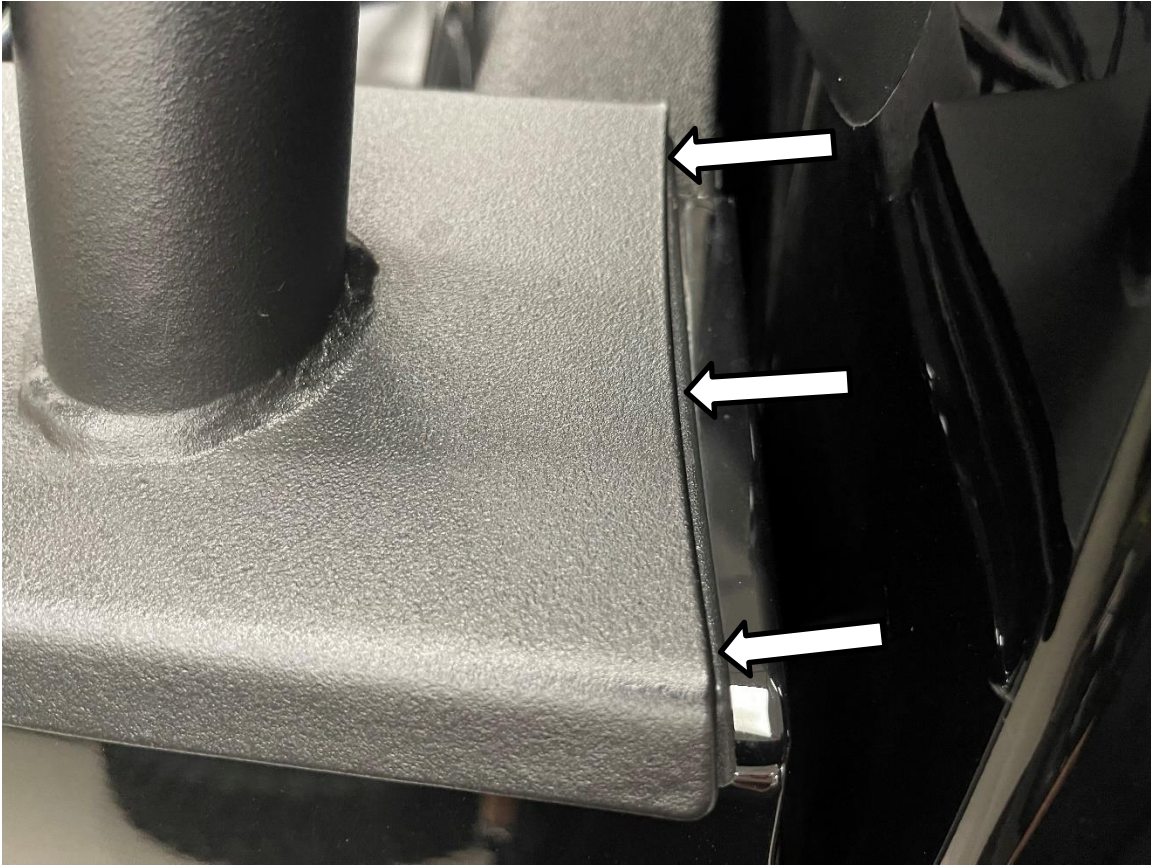
PARTS INCLUDED	QTY
CENTER LIGHT MOUNT ASSEMBLY	1
DRIVER SIDE ASSEMBLY	1
PASSENGER SIDE ASSEMBLY	1
BACKING PLATE	2



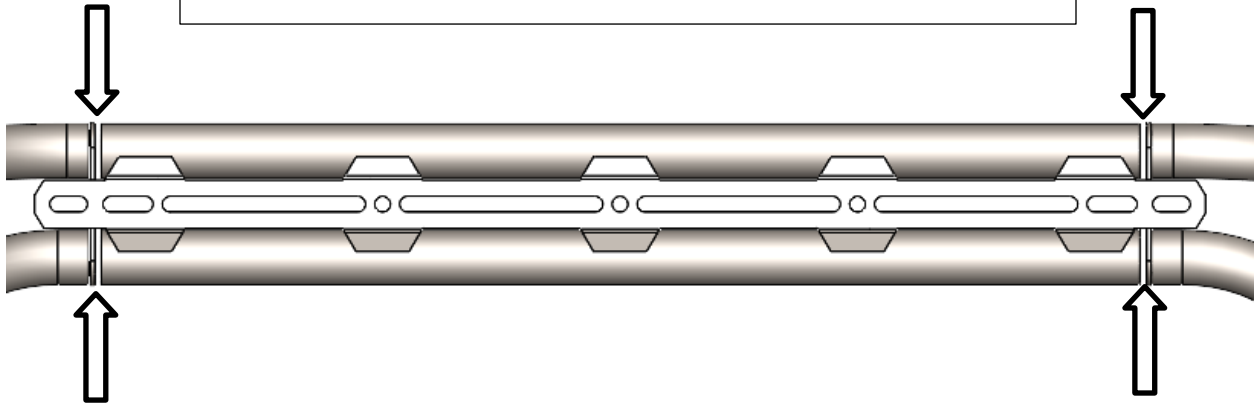
Step 1: Attach the Center section to the driver and passenger side assemblies using the supplied 3/8" x 1" carriage bolt (x4) and 3/8" flanged nut (x4) and leave finger tight for now. ***NOTE: Begin with the upper bolt and nut first to have easier access to the lower fasteners. ***



Step 2: With additional help, carefully place Sport Bar onto bed rails aligning edge with the plastic cap on both sides.



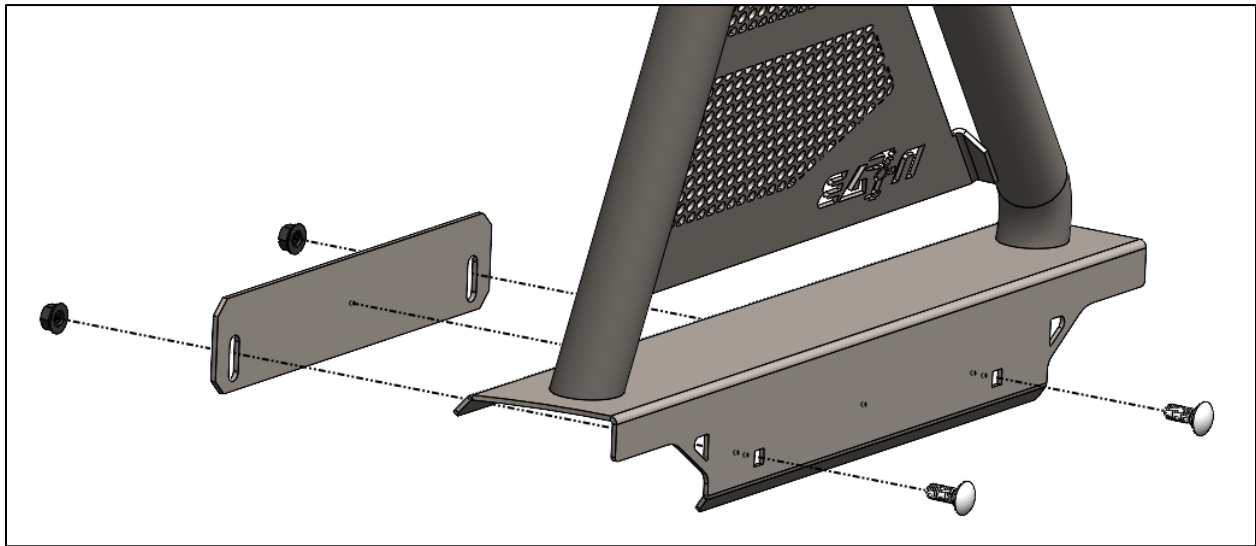
Step 3: Next, fully tighten the carriage bolts in the center section.





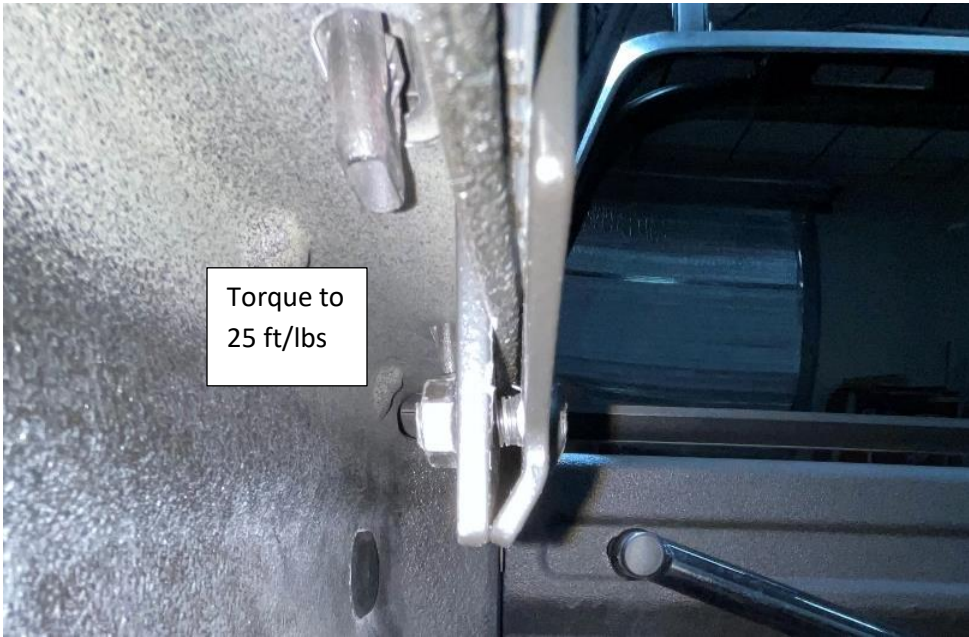
I-SHEET PART NUMBER: INST-00271
PART NUMBER: **F19BR-TX**
PRODUCT: **SPORT BAR**
APPLICATION: **19-21 RANGER**

Step 4: Install the driver and passenger side backing plate brackets using the supplied 3/8" x 1" carriage bolts and 3/8" flanged washers ****NOTE**** *The bracket will mount with the holes closer to the edge facing down.*





The lip of the bed cap will sandwich between the backing plate and Sport bar.



Torque to 25 ft/lbs

**** Periodical check all fasteners for tightness. ****