



PART NUMBER: EXG15CC-TX , EXG15QC-TX
 PRODUCT: EPYX HOOP STEP
 APPLICATION: 15-19 CANYON/COLORADO
 CREW CAB / QUAD CAB

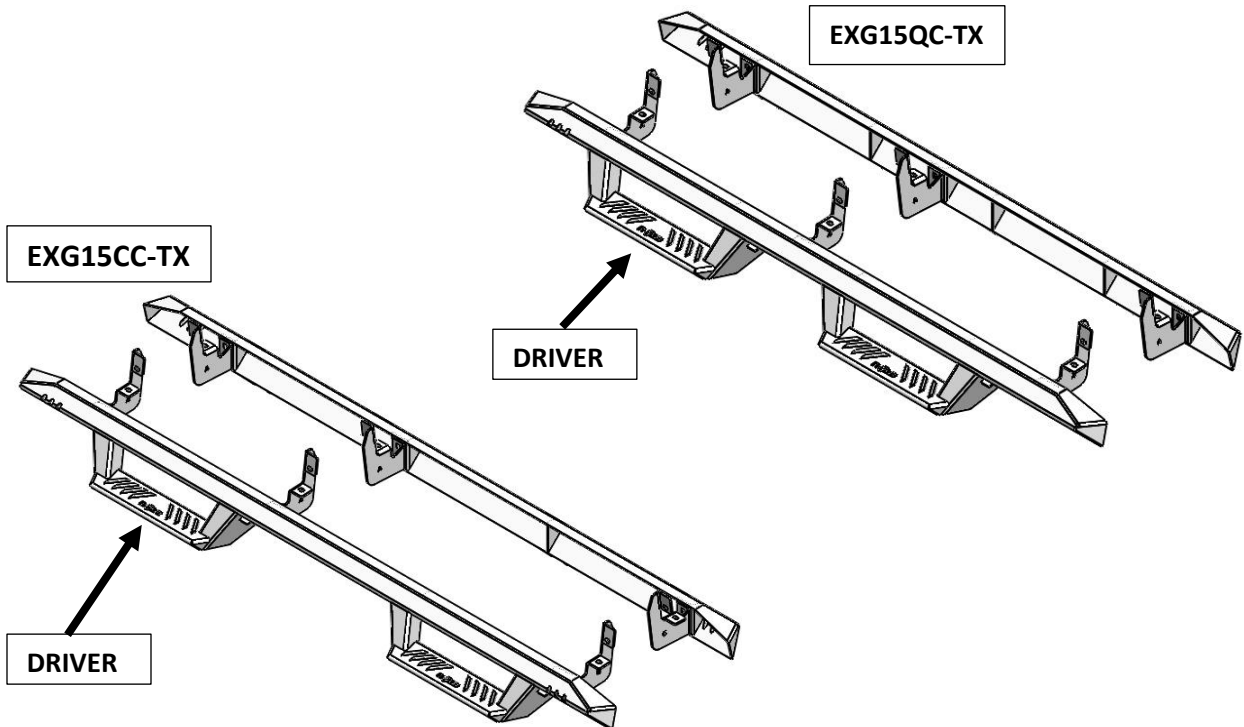


PARTS INCLUDED	QTY
Step Rail	2
Rocker Panel mounting Brackets	6

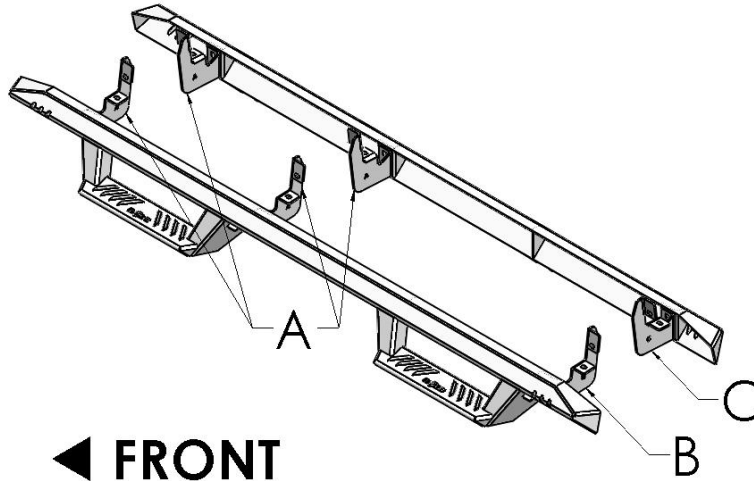
HARDWARE DESCRIPTION	QTY.
# HWKT-00046X	
M8 x 25MM HC BOLTS	12
M8 X 1 ¼" TINNEMAN CLIPS	12
FENDER WASHER	6
3/8" FLAT WASHER	6
3/8" x ¾" carriage bolts	12
3/8" Flanged nuts	12

DO NOT USE IMPACT TOOLS

Step 1: Locate the driver side step rail.



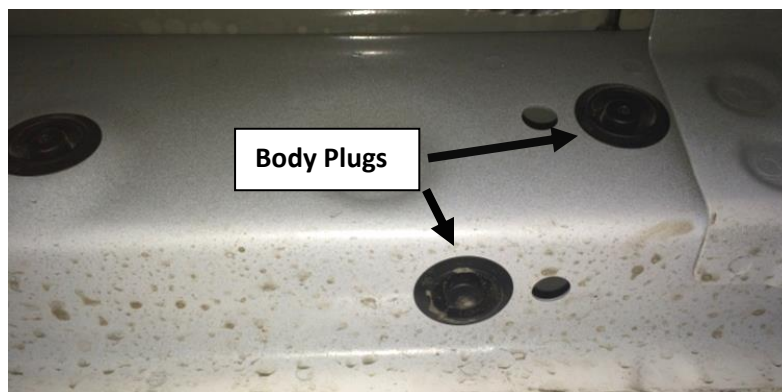
Step 2: Install the rocker panel brackets to the attachments points located on the backside of the channel using the supplied 3/8" x 3/4" carriage bolts and 3/8" flanged nuts. Leave finger tight for now.



Step 3: Locate the rubber body plugs on the underside of the body. There will be four sections of two plugs each. One near the top of the body and one near the bottom. **NOTE:** *Some applications use three brackets per side and some use four brackets per side.*

Step 4: Measure the distance between each mounting brackets on the step starting with the front bracket.

Step 5: Using the measurement from the brackets, only remove the rubber plugs from the sections you will need to mount the step. **NOTE:** *Start with the first section nearest to the front of the vehicle.*





PART NUMBER: EXG15CC-TX , EXG15QC-TX
PRODUCT: EPYX HOOP STEP
APPLICATION: 15-19 CANYON/COLORADO
CREW CAB / QUAD CAB

Step 6: Insert one 8mm x 1 ¼' threaded clip into each mounting hole by sliding the clip from the large hole and lining up the threaded part with the smaller hole. Make sure the flat side of the clip faces toward the outside of the body.



Step 7: Carefully raise the nerf-step into position aligning all brackets with the three mounting holes. Insert all six M8 X 25mm HC bolts. Use the smaller 3/8" washers for the bottom bolt and the larger Fender washer for the top bolt and hand tighten only.

Step 8: Starting with the rear bracket, adjust step as close to the body as possible without making contact and torque both bolts tight. Then repeat same step with the front bracket and the center bracket.

Step 9: Repeat steps 2-8 with passenger side. Your install is now complete.