



PART NUMBER: EXC19CC-TX  
 PRODUCT: EYPX HOOP STEP  
 APPLICATION: 2019-20 CHEVY/GM 1500 CREW CAB

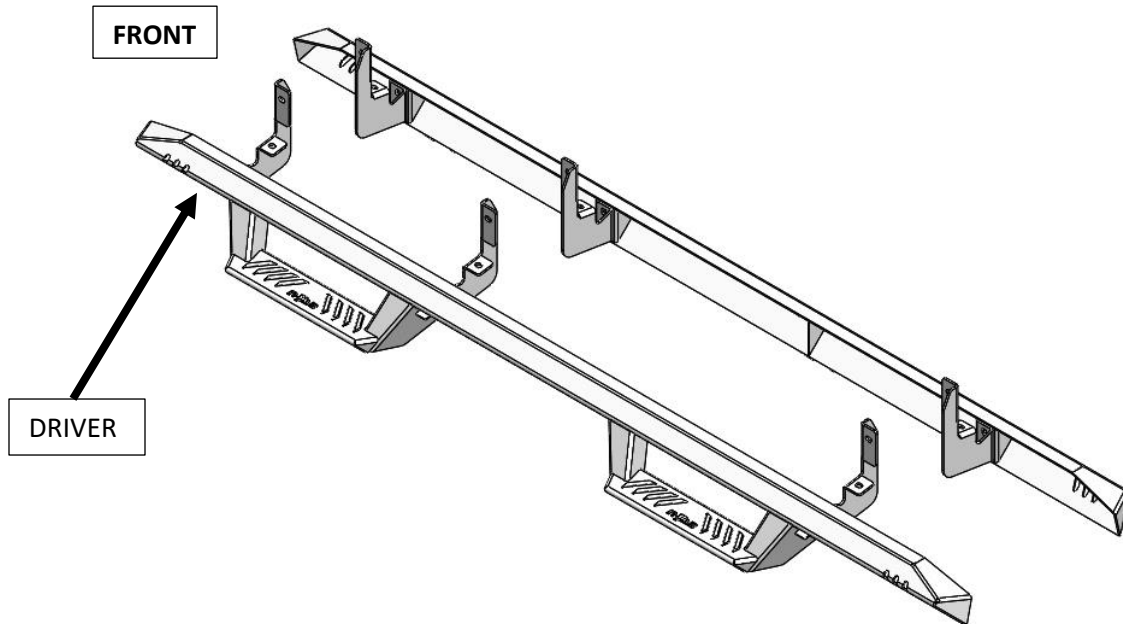


PARTS INCLUDED	QTY
Step Rail	2
Rocker Panel mounting Brackets	6

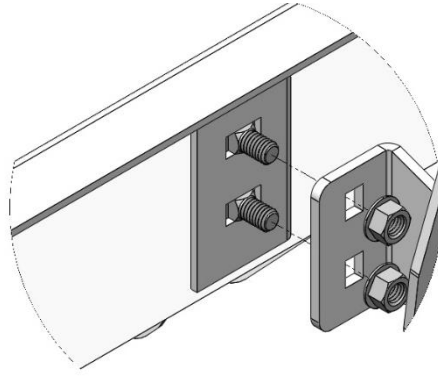
HARDWARE DESCRIPTION	QTY.
<b>HWKT-00036X</b>	
M8X30mm Hex Cap with washer	12
3/8" x 3/4" carriage bolts	12
3/8" Flanged nuts	12

**DO NOT USE IMPACT TOOLS**

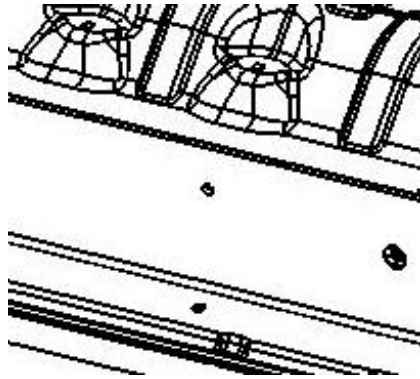
**Step 1:** Locate the driver side step rail.



**Step 2:** Install three rocker panel brackets to the attachments points located on the backside of the channel using the supplied 3/8" x 3/4" carriage bolts and 3/8" flanged nuts. Leave finger tight for now.

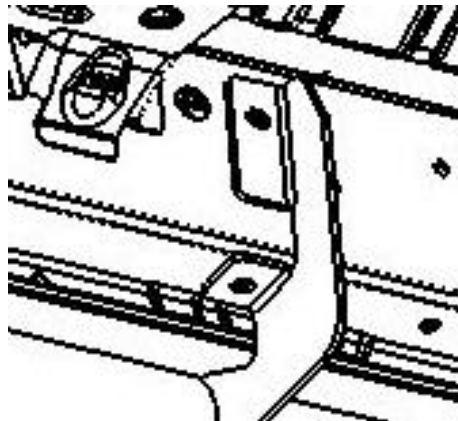


**Step 3:** Remove factory-running bards if equipped and discard. You will see the 8mm threaded mounts in the body.



**Step 4** Carefully raise the step assembly up into position aligning the mounting brackets with the factory-threaded holes. Beginning with the center bracket start one of the supplied M8x30mm Hex bolts in the upper mount and finger tighten. This will allow the step to be suspended while you start the remainder of the hardware.

**Step 5** Next, start all remainder hardware in the factory locations and leave loose.





PART NUMBER: EXC19CC-TX  
PRODUCT: EYPX HOOP STEP  
APPLICATION: 2019-20 CHEVY/GM 1500 CREW CAB

**Step 6:** Next, adjust the step assembly up/down and front/back to level out the step rail with body panel and then tighten step to brackets at 30 ft. /lbs.



**Step 7:** After final adjustment, tighten all hardware starting with the three lower bolts and then finish with the upper bolts.



**Step 8:** Repeat steps 2-8 with the passenger side. **NOTE: Periodically check all hardware for tightness to insure longevity and safety of your steps.**