



PART NUMBER: **EXC07QC-TX**
 PRODUCT: **EYPX HOOP STEP**
 APPLICATION: **CHEVY 07-18 1500 QUAD CAB**
08-19 2500/3500 GAS QUAD CAB

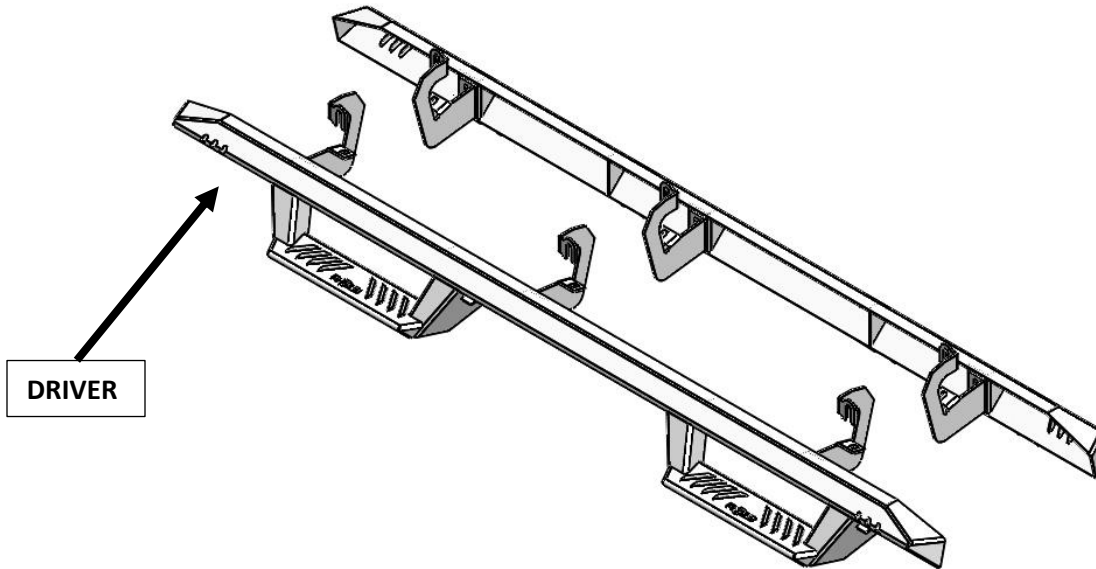


PARTS INCLUDED	QTY
Step Rail	2
Rocker Panel mounting Brackets	6

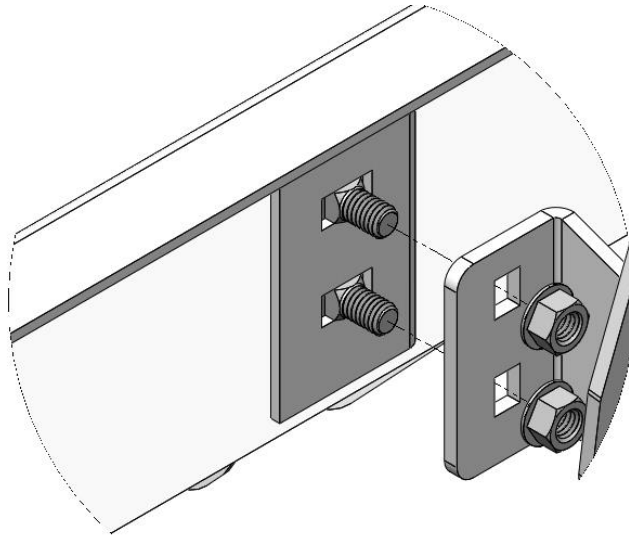
HARDWARE DESCRIPTION	QTY.
# HWKT-00037X	
M8 Threaded clip	6
M8-1.25 Hex fin Nut	6
M8-1.25x25mm Hex head bolt	12
M10 fender washer	18
3/8" x 3/4" carriage bolts	12
3/8" Flanged nuts	12

DO NOT USE IMPACT TOOLS

Step 1: Locate the driver side step rail.



Step 2: Install three rocker panel brackets to the attachments points located on the backside of the channel using the supplied 3/8" x 3/4" carriage bolts and 3/8" flanged nuts. Leave finger tight for now.
NOTE: The short bracket will mount on the passenger side front to clear the DEF tank.



Step 3: With the correct step placed on each side of the vehicle, take note of where the brackets are located. Look under the vehicle and locate the factory supplied mounting positions. **NOTE: Some vehicles require the use of supplied clips and nuts.**

Step 4: If the vehicle requires use of clips, install those now. This requires the removal of a plastic body plug. Use a screwdriver to remove each plug, and install the clips.





PART NUMBER: **EXC07QC-TX**
PRODUCT: **EYPX HOOP STEP**
APPLICATION: **CHEVY 07-18 1500 QUAD CAB**
08-19 2500/3500 GAS QUAD CAB

Step 5: Align the steps with the mounting holes. Beginning with the middle bracket, use one M8-1.25 bolt and one fender washer for each mounting location and thread the bolts into the mounting holes and leave loose. Continue with the front and rear bracket. **NOTE: Some vehicles require the use of an additional nut and washer for the lower portion of the mounting bracket.**

Step 6: Next, adjust the step assembly up/down and front/back to level out the step rail with body panel and then tighten step to brackets at 30 ft. /lbs.



Step 7: After final positioning, begin at the rear bracket and tighten the lower bolt to 15-20 ft. /lb. Continue to the front bracket and then to the center bracket. Next, tighten the upper mounts from front to back at 15-20 ft. /lb.

Step 8: Repeat steps 2-6 for the passenger side. Your install is now complete.