



PART NUMBER: **F18RB-H**

PRODUCT: **REAR BUMPER**

APPLICATION: **17-18 F-150 RAPTOR**  
**15-18 F-150**

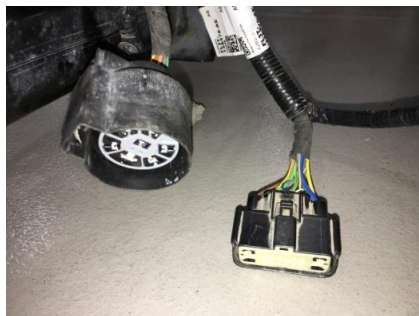
Parts Included	Qty
RBS-H Bumper	1
<b>Hardware: HWKT-00002X</b>	
3/8" x 1" Flanged hex bolt	4
3/8" Flanged Hex nuts	4



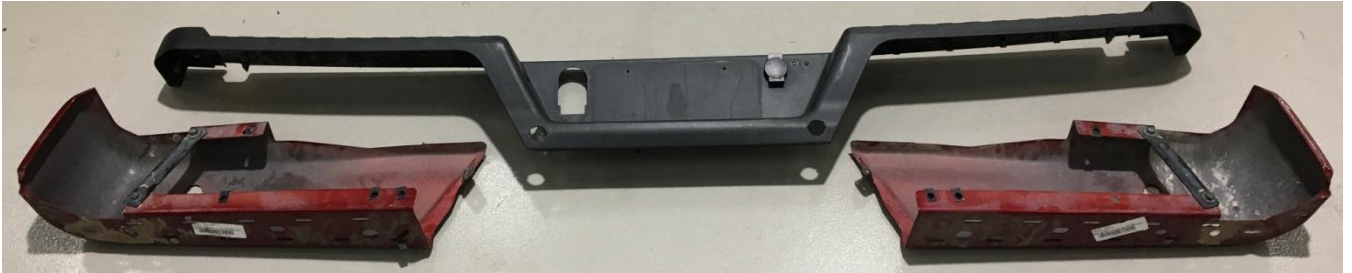
### **Bumper Removal:**

1. Remove the license plate light from the housing (Both side)
2. Unplug the connector for the trailer/towing lights.

3. If equipped, remove all bumper sensors and plastic housing's from the bumper and set aside. They will be reused in the RB-H bumper install.



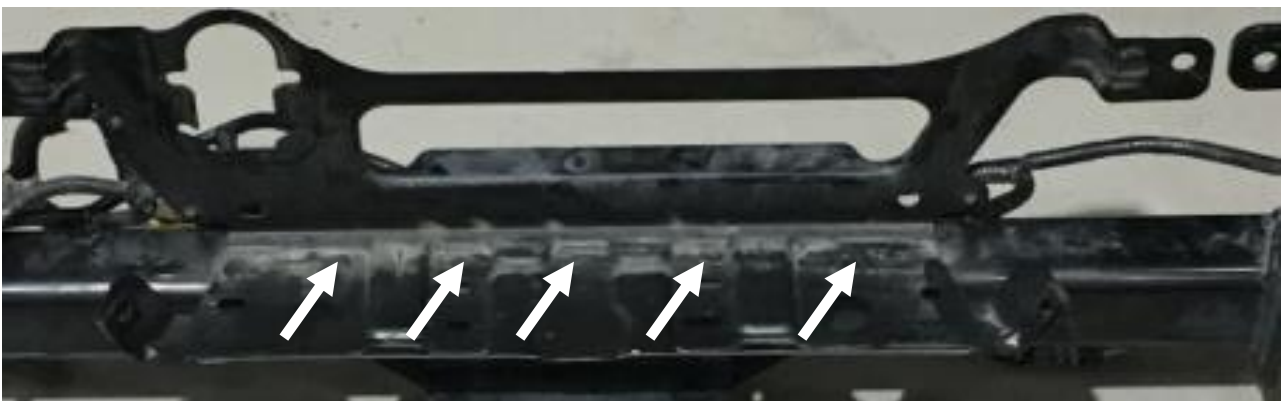
4. Carefully pull the plastic center pad off the bumper. It is held on by clips, there are no fasteners to be removed in this step.
5. Use a T40 torx bit and remove the bolts (x5) holding on each side piece.
6. Remove the plastic clips that attach the parking sensor to the bumper ends and remove.



7. Remove the ground wire that is attached to the side of the frame.



8. Grind away the 5 welds from the license plate structure and remove from the hitch and discard.
9. Clean the surface and paint all bare metal.





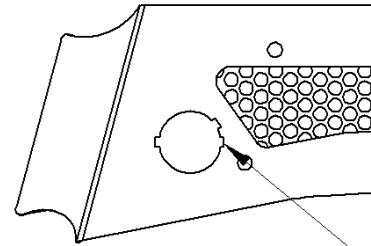
PART NUMBER: **F18RB-H**

PRODUCT: **REAR BUMPER**

APPLICATION: **17-18 F-150 RAPTOR**  
**15-18 F-150**

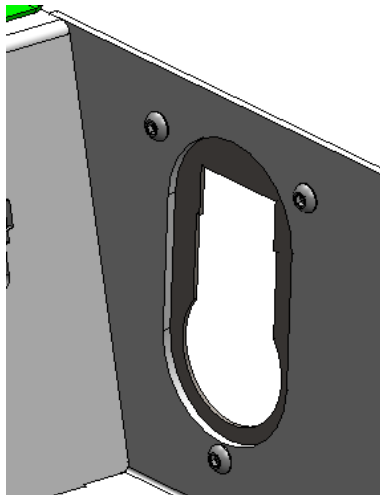
### RDS-H Bumper Install:

1. Install the bumper sensors that were removed in step 3 of the bumper removal into the cut outs in the bumper panels. **Note: The sensor patterns are specific to each plastic plug.**

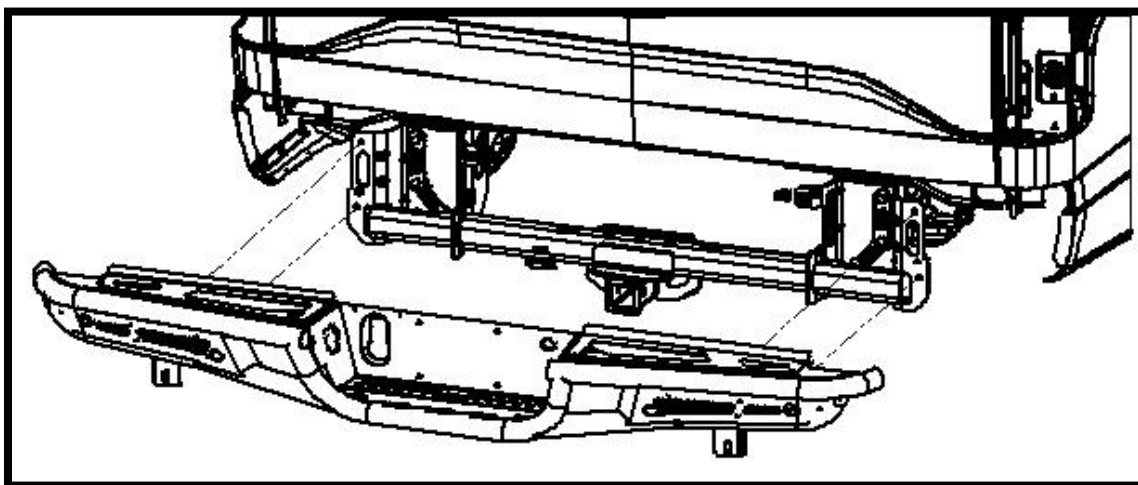


NOTE ORIENTATION

2. Next, install the factory license plate lights and tow plug.



3. Carefully and with some assistance install the RBS bumper to the factory locations and loosely fasten using the supplied 3/8" x 1" flanged hex bolts and flanged hex nuts. **NOTE: On some application, you may be able to use the factory hardware for the bottom mounts.**



4. Re-connect all bumper sensors, license plate plugs and tow plug connection.
5. Re-connect the factory wiring harness and ground.
6. Next, SLOWLY lower the tailgate to insure there is no contact with the bumper.
7. After final adjustment, torque all bumper bolts to factory specs. (**Note: If you need more adjustment, loosen the hitch bolts from the frame to move up or down.**)
8. This concludes your install.