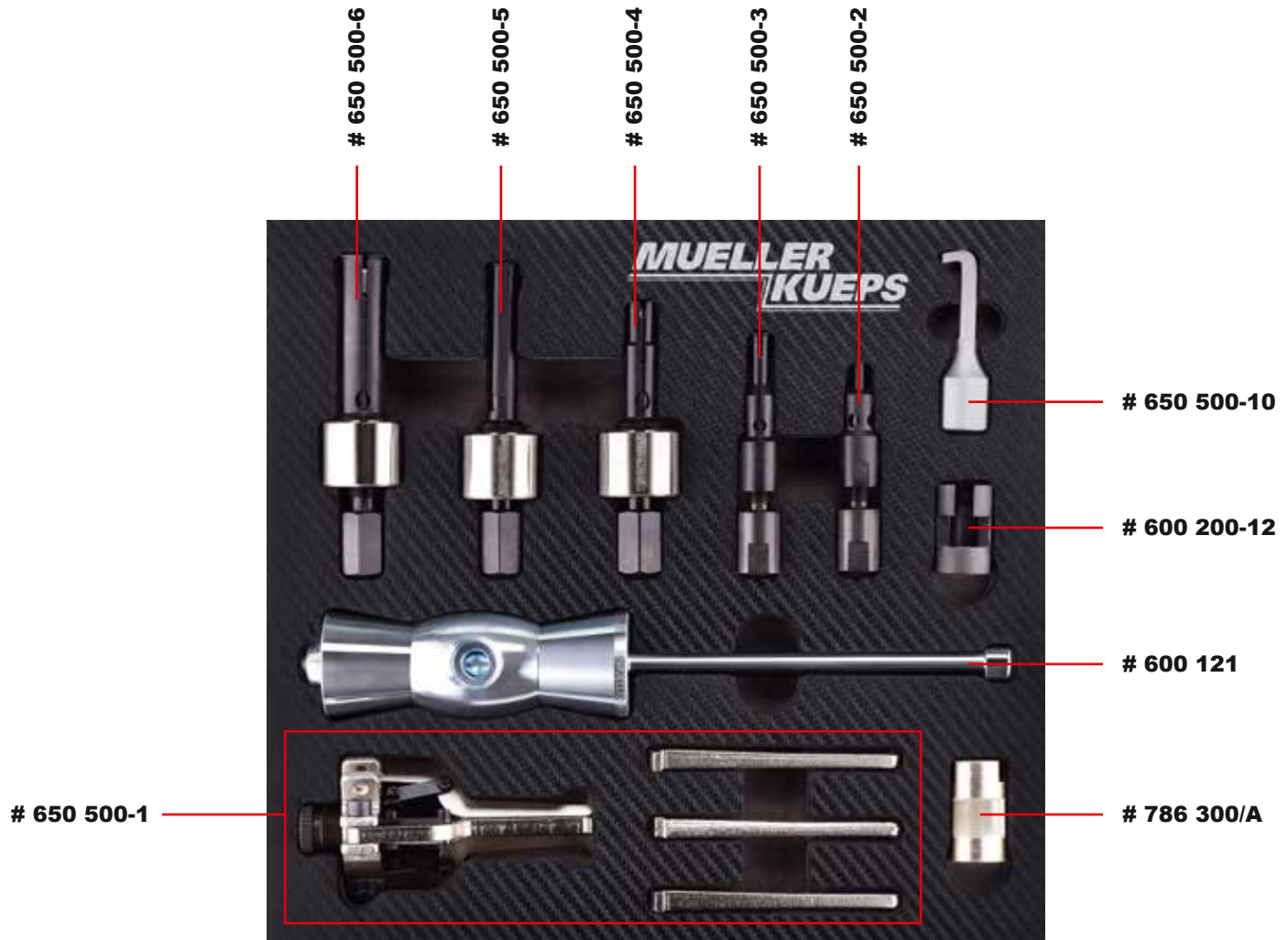


UNI PULLER SET XS



- Unique set, currently no other like it on the market
- Provides multiple ways to remove bushings, seals, sleeves, bearings, bearing races, pressed-in studs and more.
- Includes a 2.5 LB slide hammer, two sets of jaws, internal and external puller, puller hook, pressed-in stud puller adapter, injector adaptor which fits M14 X 1.5 (most common injector size), and split collet extractors.
- Split collet extractors are made for "blind" holes.
- Slide hammer can be used 2 ways, move the handle horizontally for narrow spaces.
- Kit can be used when there is not a lot of space behind bearings.

650 500 **Uni Puller Set XS**