



THUNDER[®]

S6512-44

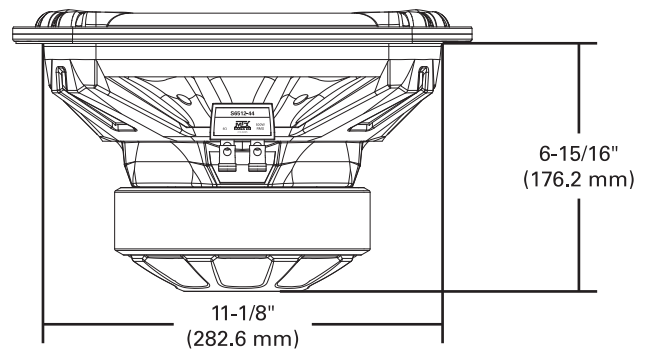
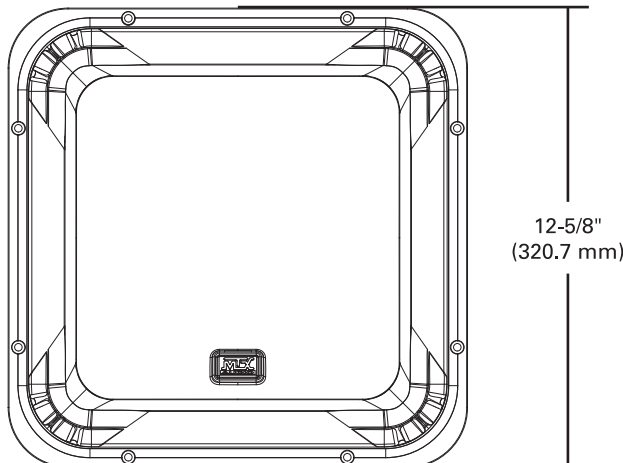
12" Dual 4Ω Square Subwoofer

Parameters

Fs: 31 Hz
Qms: 4.96
Cms: 0.096 mm/N
Mms: 271.6 g
Rms: 10.72 kg/s
Vas: 2.55 ft³ (76 liters)
Xmax: 0.61 in (15.49 mm)
D: 10.64 in (260.7 mm)
Sd: 113.2 in² (730 cm²)
Vd: 68.47 in³ (1.128 liters)
Qes: 0.884
Re: 1.73 Ω
Bl: 10.3 Tm
Prms: 500 Watts
Qts: 0.75
n₀: 0.235%
SPL₀: 86.7 dB
SPL 2.83V/1m: 93.2 dB



Specifications

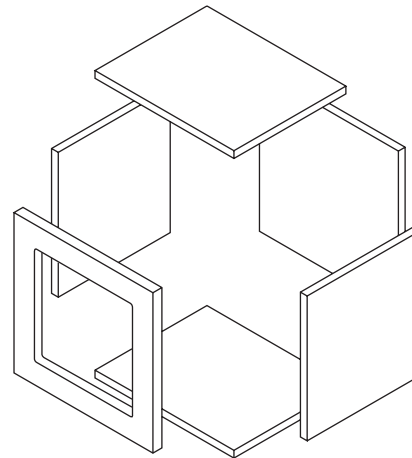
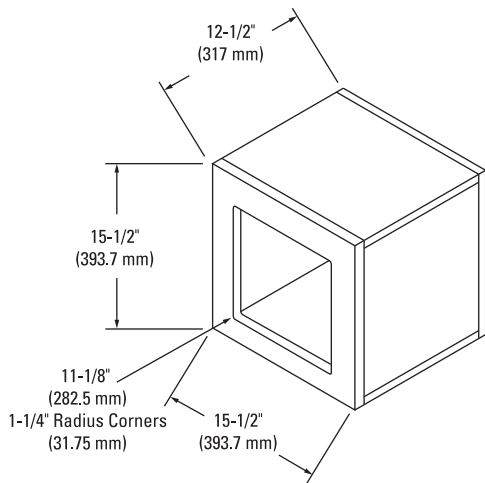


Recommended Power Rating of 250 - 500 Watts RMS

S6512-44 Recommended Enclosures

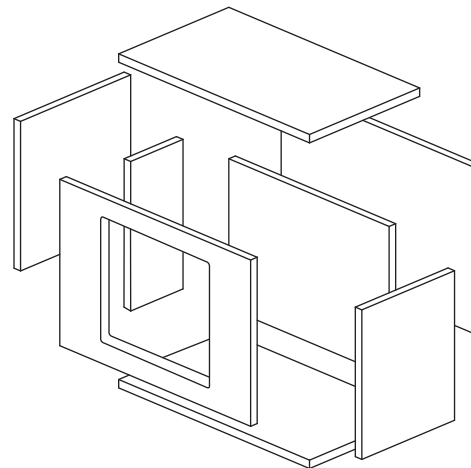
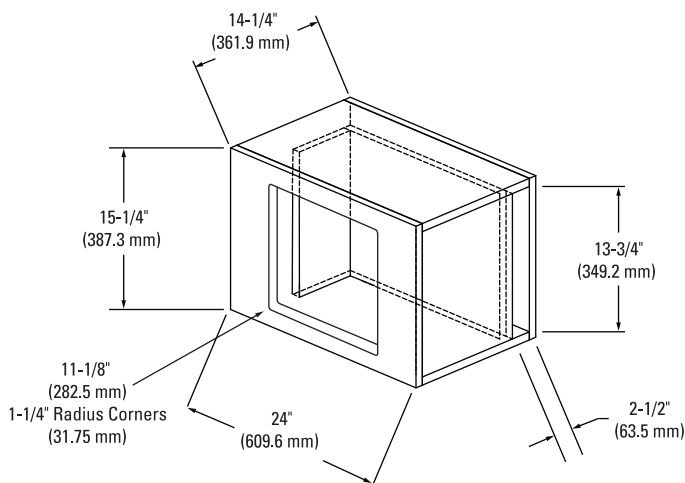
For the best possible sound quality where space is a premium, MTX recommends using a sealed enclosure. For excellent sound quality with increased output compared to sealed enclosures (3dB or more), MTX recommends using a vented enclosure. All recommended enclosures have been designed and thoroughly tested by MTX. For additional enclosure designs check the MTX website.

Sealed Enclosure



Net Internal Volume: 1.25 ft³

Vented Enclosure



Net Internal Volume: 2.32 ft³
Port Length: 27"

Buy quality subwoofers and boxes in our online store.