

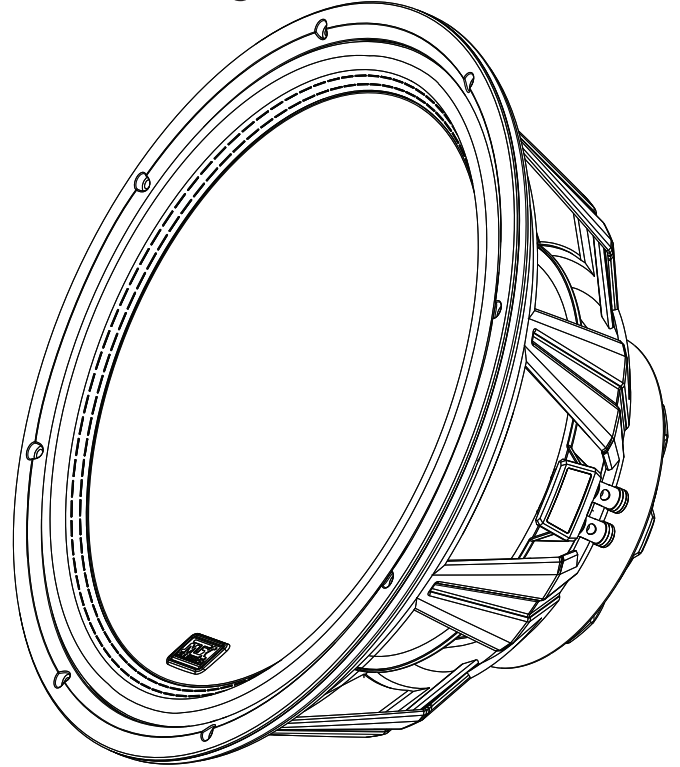


5515-44

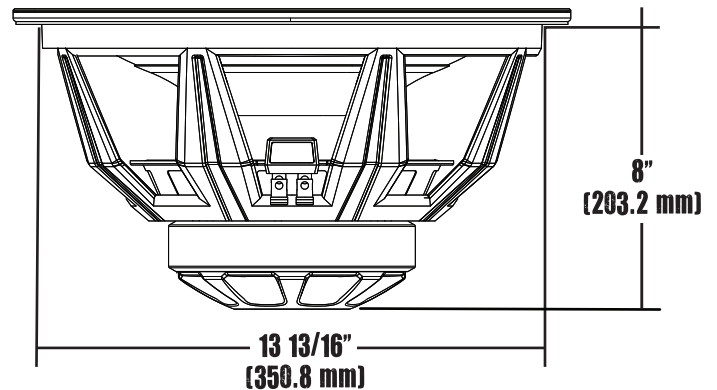
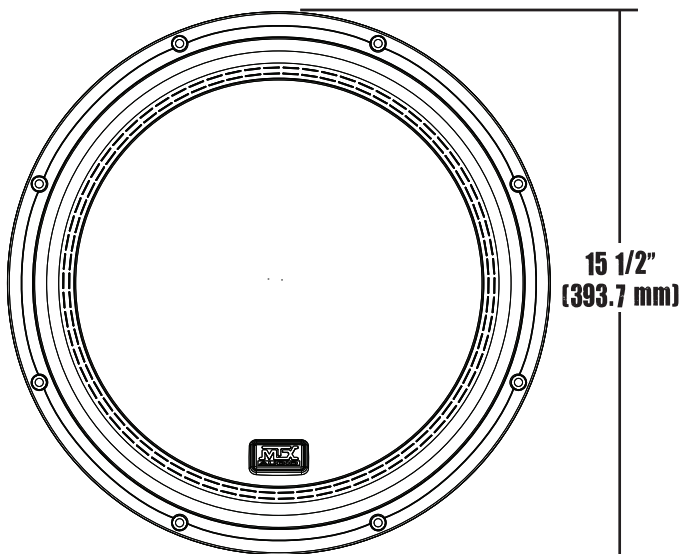
800W Peak Power Subwoofer

Parameters

Fs: 24 Hz
Qms: 2.773
Cms: 0.145 mm/N
Mms: 300 g
Rms: 16.48 kg/s
Vas: 6.134 ft³ (173 liters)
Xmax: 0.6 in (15.24 mm)
D: 13.46 in (341.884 mm)
Sd: 142.38 in² (918.6 cm²)
Vd: 85.43 in³ (1.399 liters)
Qes: 1.21
Re: 1.67 Ω
Bl: 8.21 Tm
Prms: 400 Watts
Qts: 0.79
n0: 0.207%
SPLo: 85.4 dB
SPL 2.83V/1m: 92.2 dB



Specifications



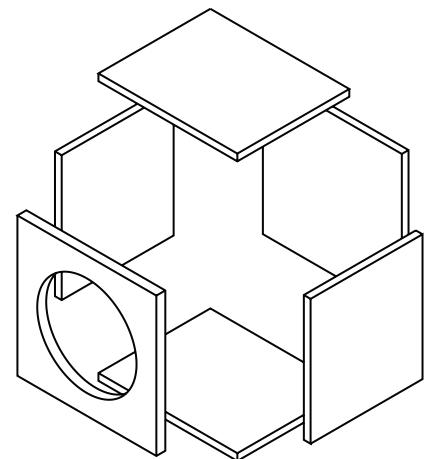
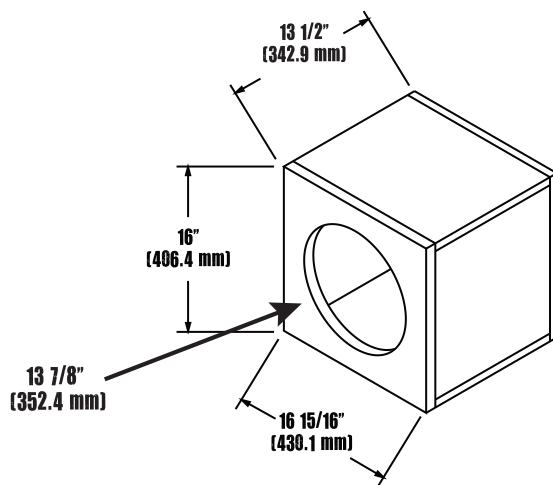
Recommended Power Rating of 200 - 400 Watts RMS

5515-44 Recommended Enclosures

For the best possible sound quality where space is a premium, MTX recommends using a sealed enclosure. For excellent sound quality with increased output compared to sealed enclosures (3dB or more), MTX recommends using a vented enclosure. All recommended enclosures have been designed and thoroughly tested by MTX.

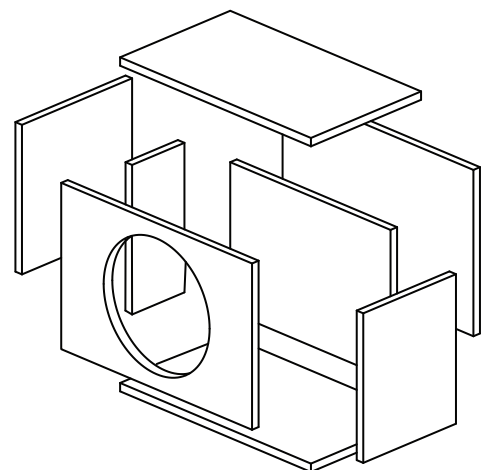
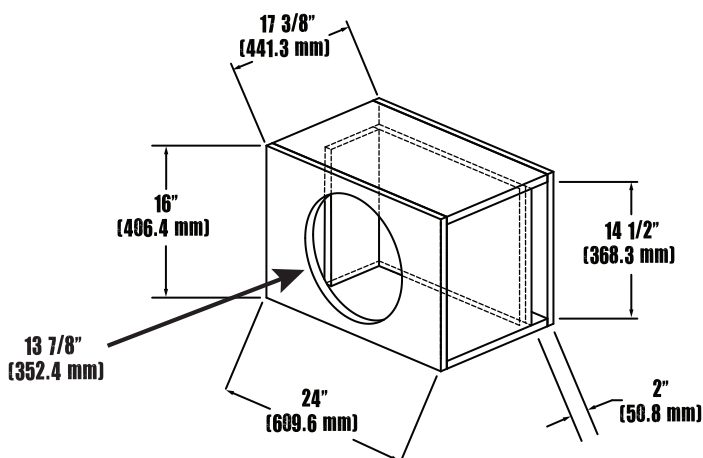
For additional enclosure designs check the MTX website, the barcode will take you to the box design page.

Sealed Enclosure



Net Internal Volume: 1.50 ft³

Vented Enclosure



Net Internal Volume: 2.48 ft³