

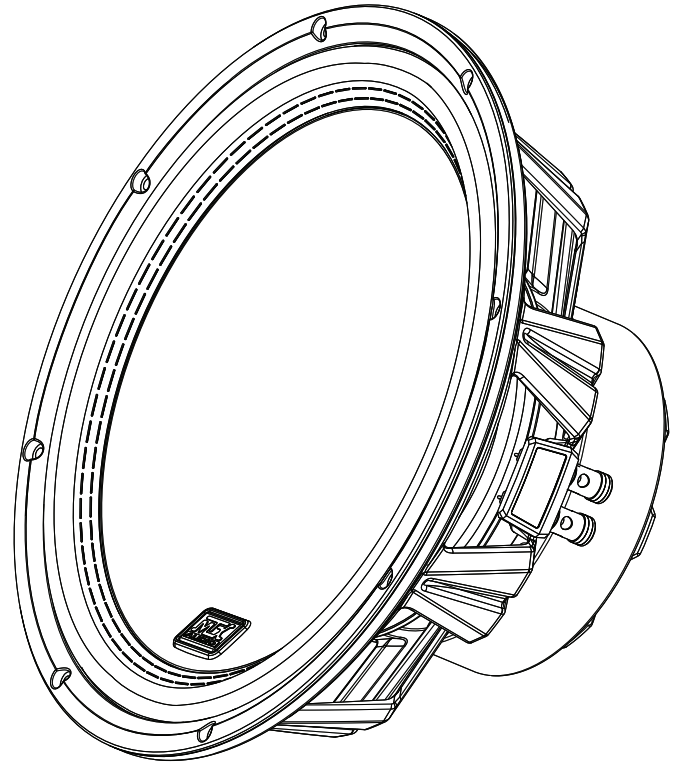


# 5512-44

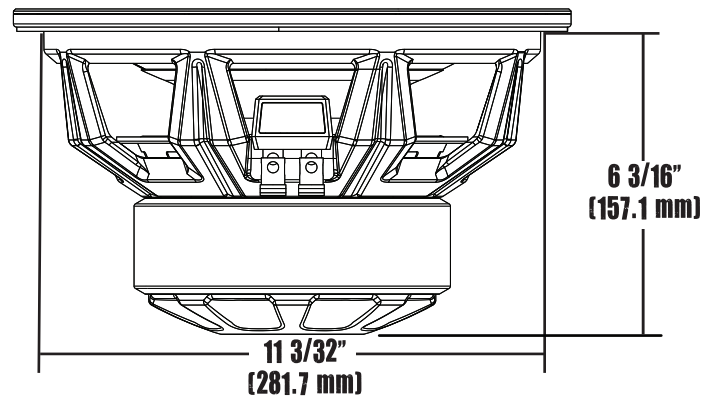
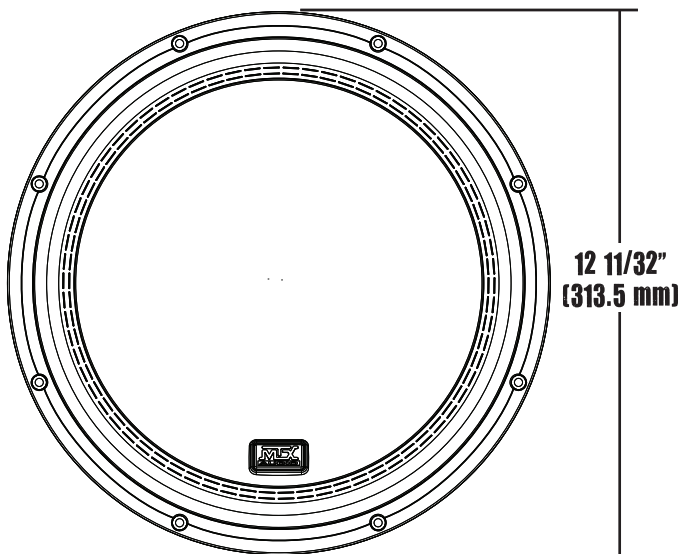
## 800W Peak Power Subwoofer

### Parameters

Fs: 33 Hz  
Qms: 3.282  
Cms: 0.122 mm/N  
Mms: 191.49 g  
Rms: 12.073 kg/s  
Vas: 1.911 ft<sup>3</sup> (54.1 liters)  
Xmax: 0.6 in (15.24 mm)  
D: 10.55 in (267.9 mm)  
Sd: 87.44 in<sup>2</sup> (564.1 cm<sup>2</sup>)  
Vd: 52.46 in<sup>3</sup> (0.859 liters)  
Qes: 1.023  
Re: 1.73 Ω  
Bl: 8.2 Tm  
Prms: 400 Watts  
Qts: 0.78  
n0: 0.182%  
SPLo: 84.8 dB  
SPL 2.83V/1m: 91.5 dB



### Specifications



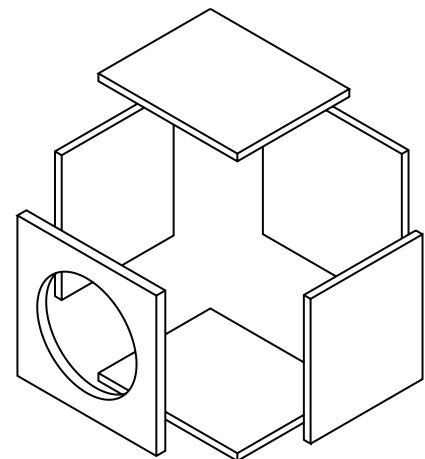
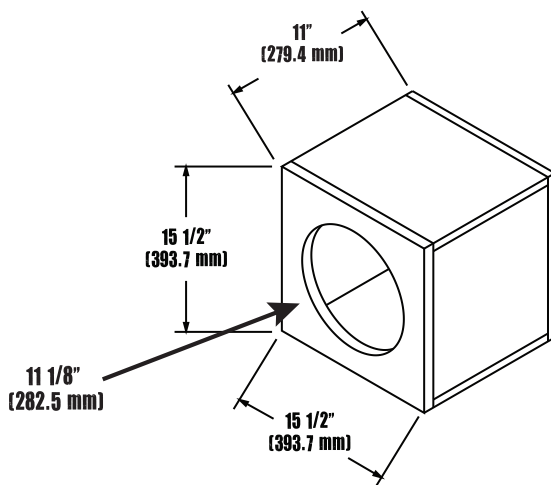
**Recommended Power Rating of 200 - 400 Watts RMS**

# 5512-44 Recommended Enclosures

For the best possible sound quality where space is a premium, MTX recommends using a sealed enclosure. For excellent sound quality with increased output compared to sealed enclosures (3dB or more), MTX recommends using a vented enclosure. All recommended enclosures have been designed and thoroughly tested by MTX.

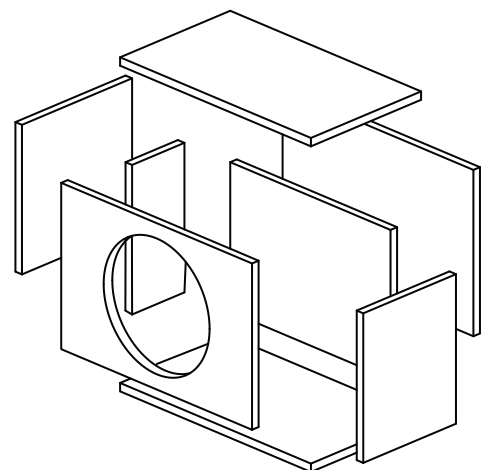
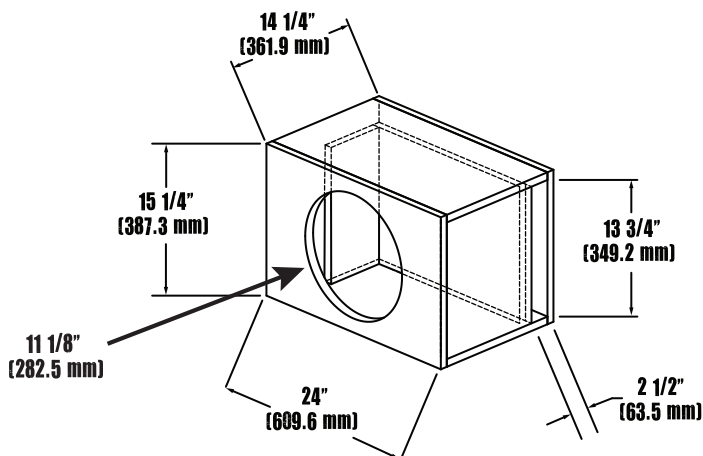
For additional enclosure designs check the MTX website, the barcode will take you to the box design page.

## Sealed Enclosure



Net Internal Volume: 1.00 ft<sup>3</sup>

## Vented Enclosure



Net Internal Volume: 2.32 ft<sup>3</sup>