

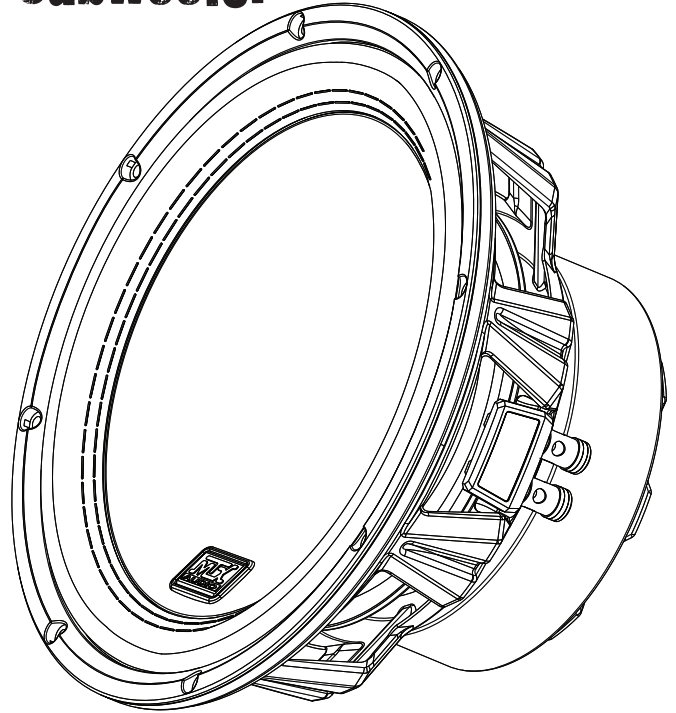


5510-22

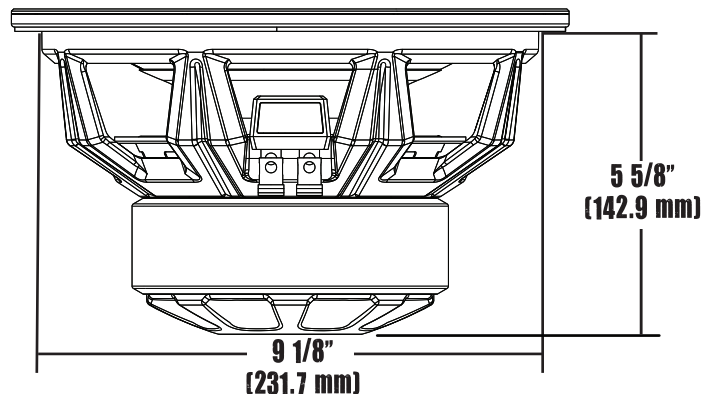
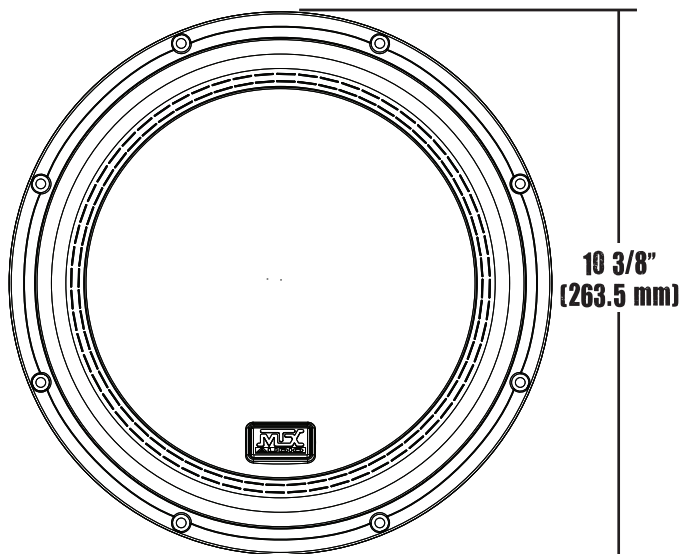
800W Peak Power Subwoofer

Parameters

Fs: 35 Hz
Qms: 3.684
Cms: 0.109 mm/N
Mms: 190 g
Rms: 11.33 kg/s
Vas: .832 ft³ (23.55 liters)
Xmax: 0.6 in (15.24 mm)
D: 8.66 in (219.9 mm)
Sd: 58.92 in² (380.13 cm²)
Vd: 35 in³ (0.573 liters)
Qes: 0.785
Re: 0.85 Ω
Bl: 6.726 Tm
Prms: 400 Watts
Qts: 0.647
n0: 0.124%
SPLo: 83.1 dB
SPL 2.83V/1m: 92.8 dB



Specifications



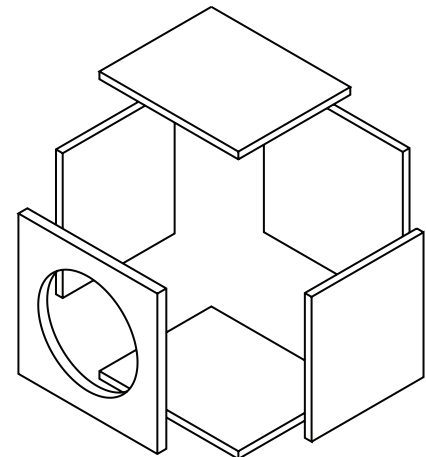
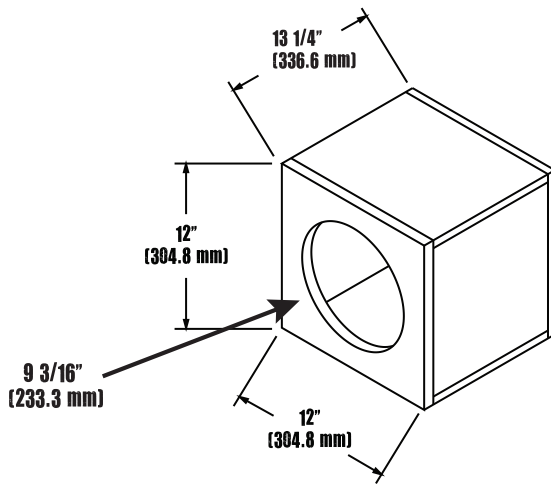
Recommended Power Rating of 200 - 400 Watts RMS

5510-22 Recommended Enclosures

For the best possible sound quality where space is a premium, MTX recommends using a sealed enclosure. For excellent sound quality with increased output compared to sealed enclosures (3dB or more), MTX recommends using a vented enclosure. All recommended enclosures have been designed and thoroughly tested by MTX.

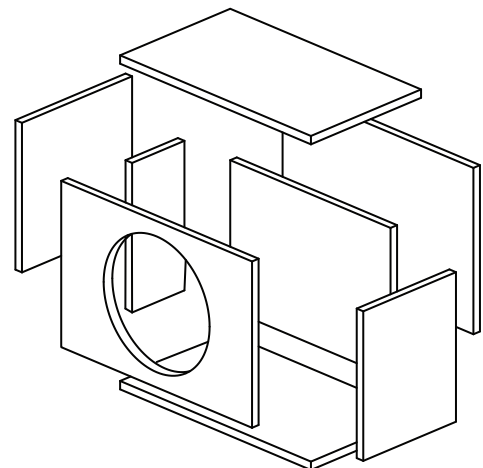
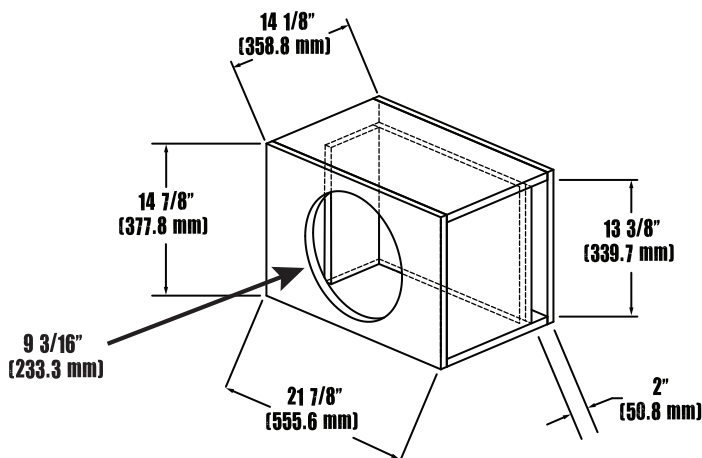
For additional enclosure designs check the MTX website, the barcode will take you to the box design page.

Sealed Enclosure



Net Internal Volume: 0.75 ft³

Vented Enclosure



Net Internal Volume: 2.00 ft³